

TECHNICAL BULLETIN  
LTB00890NAS2  
19 FEB 2016



© Jaguar Land Rover North America, LLC

NOTE: The information in Technical Bulletins is intended for use by trained, professional Technicians with the knowledge, tools, and equipment required to do the job properly and safely. It informs these Technicians of conditions that may occur on some vehicles, or provides information that could assist in proper vehicle service. The procedures should not be performed by 'do-it-yourselfers'. If you are not a Retailer, do not assume that a condition described affects your vehicle. Contact an authorized Land Rover service facility to determine whether this bulletin applies to a specific vehicle.

**This reissue replaces all previous versions. Please destroy all previous versions.**

Changes are highlighted in gray

**SECTION: 417-01**

Squeak Noise From Tailgate Area While Driving

**AFFECTED VEHICLE RANGE:**

**Discovery Sport (LC)**

**Model Year:** 2015-2016

**VIN:** 500429-582922

**Assembly Plant:** Halewood

**MARKETS:**

NAS

**CONDITION SUMMARY:**

**Situation:** A 'squeak' noise may be evident from the rear of the vehicle while driving.

**Cause:** This may be caused by a clash condition between the tailgate finisher and inner tail lamp(s).

**Action:** Should a customer express this concern, follow the Service Instruction below.

**PARTS:**

LR072677	Protective gel pads - Tailgate lamp	Quantity: 6
BNP3996	Circular patch	Quantity: 1

**TOOLS:**

Refer to Workshop Manual/Service Instruction for any required special tools.

**WARRANTY:**

 **NOTE:** Repair procedures are under constant review, and therefore times are subject to change; those quoted here must be taken as guidance only. Always refer to TOPIX to obtain the latest repair time.

 **NOTE:** DDW requires the use of causal part numbers. Labor only claims must show the causal part number with a quantity of zero.

DESCRIPTION	SRO	TIME (HOURS)	CONDITION CODE	CAUSAL PART
Tail lamp - Modification	86.40.88.29	0.2	07	LR060908

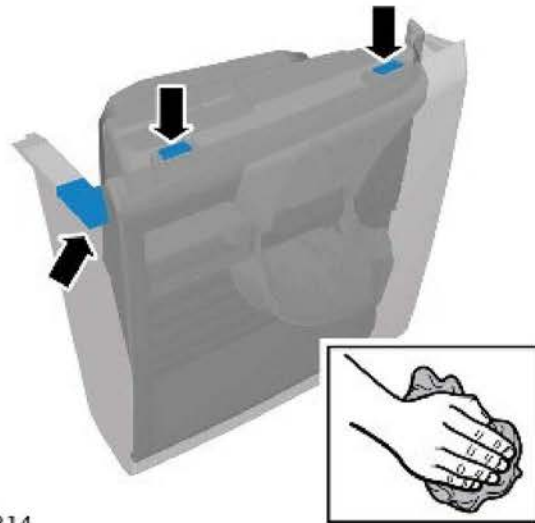
 **NOTE:** Normal Warranty procedures apply.

**SERVICE INSTRUCTION:**

1. Remove the inner tail lamp assemblies (see TOPIX Workshop Manual, section 417-01: Exterior Lighting).

2.  **NOTE: repeat this step on both inner tail lamps.**

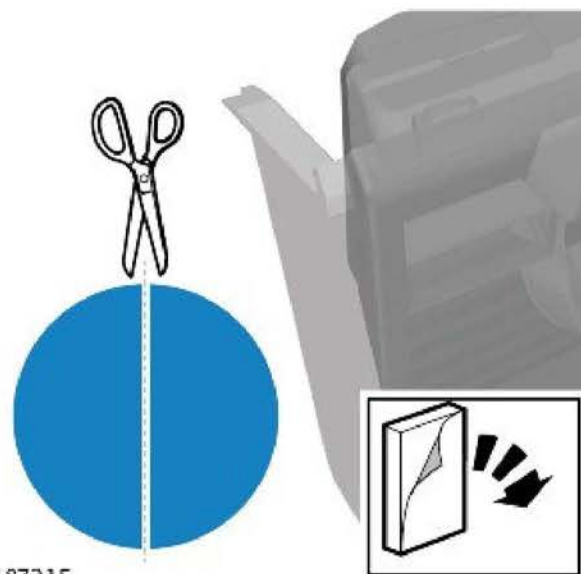
Use a suitable cloth to clean the tail lamps in the areas shown.



E187214

3.  **NOTE: repeat this step on both inner tail lamps.**

Use a suitable tool to cut the supplied tape circle in half and remove the backing from the tape circle.

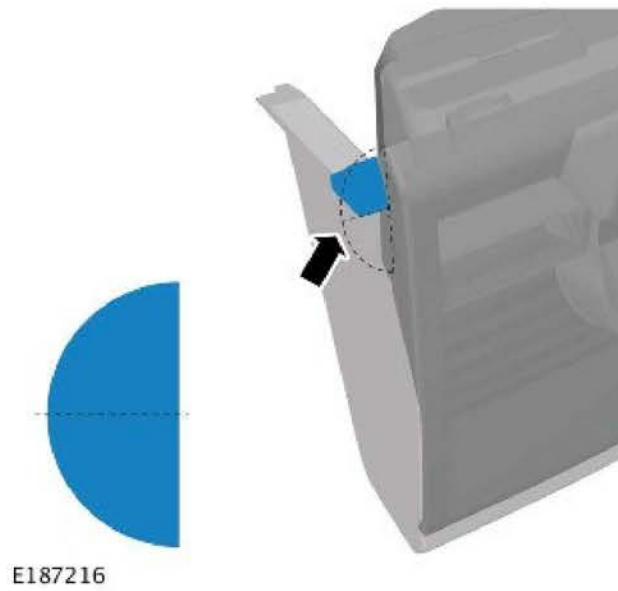


E187215

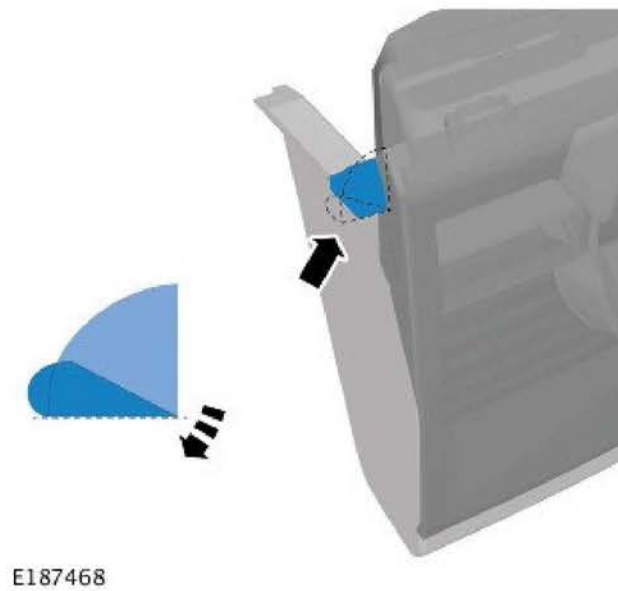
4.  **NOTE: repeat this step on both inner tail lamps.**

Install the half-tape circle in the area shown.

- The half-tape circle will fold 90° and secure under the inner tail lamp.



5. The half-tape circle located and installed on the inner tail lamp.

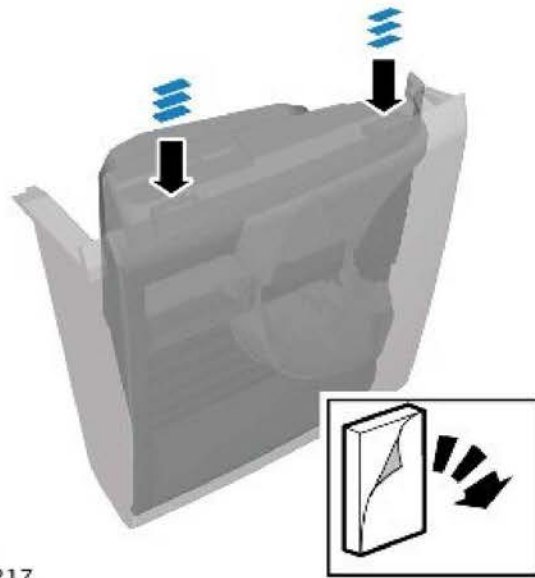


6.  **NOTE: make sure the gel pads are not visible when the tail lamps are installed.**

-  **NOTE: repeat this step on both inner tail lamps.**

Cut each of the three protective gel pads in half.

- Assemble three halves as shown.
- Install the assembled protective gel pads on the inner tail lamps as shown.



E187217

7. Install the inner tail lamp assemblies (see TOPIX Workshop Manual, section 417-01: Exterior Lighting).