

TECHNICAL BULLETIN  
LTB00863NAS1  
10 FEB 2016



© Jaguar Land Rover North America, LLC

NOTE: The information in Technical Bulletins is intended for use by trained, professional Technicians with the knowledge, tools, and equipment required to do the job properly and safely. It informs these Technicians of conditions that may occur on some vehicles, or provides information that could assist in proper vehicle service. The procedures should not be performed by 'do-it-yourselfers'. If you are not a Retailer, do not assume that a condition described affects your vehicle. Contact an authorized Land Rover service facility to determine whether this bulletin applies to a specific vehicle.

**SECTION: 307-02**

Transmission Fluid Leak

**AFFECTED VEHICLE RANGE:**

**Range Rover Evoque (LV)**

**Model Year:** 2012-2013

**VIN:** 000447-856579

**Assembly Plant:** Halewood

**Transmission:** AWF21 6-Speed Automatic  
Transmission

**MARKETS:**

NAS

**CONDITION SUMMARY:**

**Situation:** A fluid leak may be evident from the underside of the vehicle. Upon further inspection, a Technician may find transmission fluid leaking from the transmission fluid cooler.

**Cause:** This may be caused by the hood release cable fouling the transmission fluid cooler.

**Action:** Should a customer express this concern, follow the Service Instruction outlined below.

**PARTS:**

LR035103	Hood release cable retaining clip	Quantity: 1
LR002916	Transmission fluid cooler	Quantity: 1

**TOOLS:**

Refer to Workshop Manual / Service Instruction for any required special tools.

**WARRANTY:**

 **NOTE: Repair procedures are under constant review, and therefore times are subject to change; those quoted here must be taken as guidance only. Always refer to TOPIx to obtain the latest repair time.**

 **NOTE: DDW requires the use of causal part numbers. Labor only claims must show the causal part number with a quantity of zero.**

DESCRIPTION	SRO	TIME (HOURS)	CONDITION CODE	CAUSAL PART
Installation of the hood release cable retaining clip	05.10.10	0.1	30	LR002916
Transmission fluid cooler - Renew	44.24.10	1.0	30	LR002916

 **NOTE: Normal Warranty procedures apply.**

**COMPONENT LOCATION**

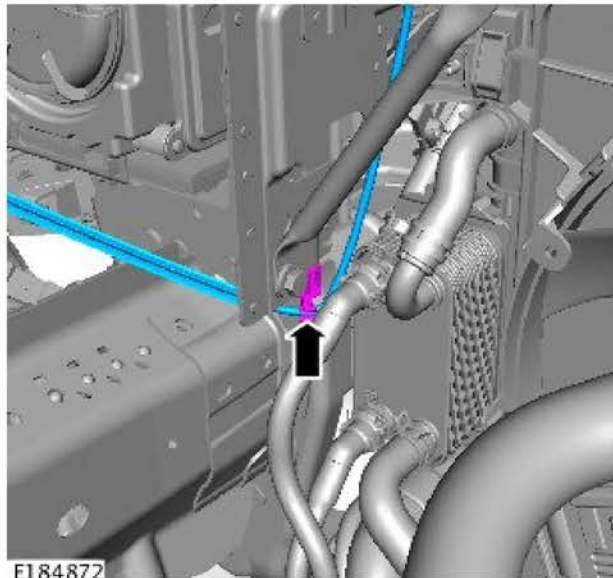
1. Component location (hood release cable).



E184871

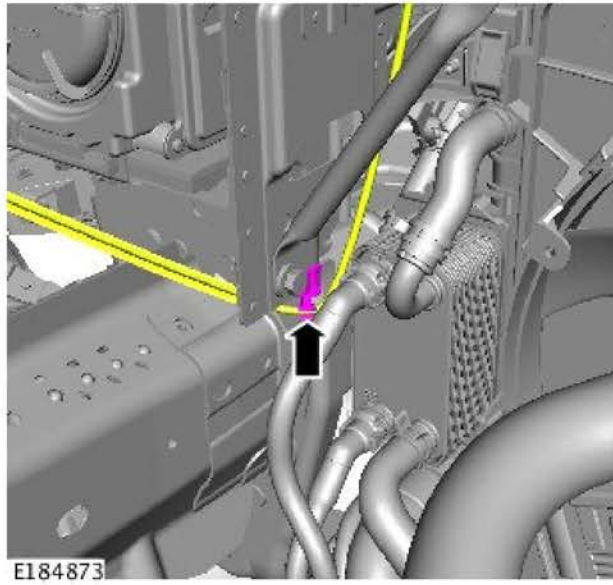
**SERVICE INSTRUCTION:**

1. Open the hood.
2. Inspect the position of the hood release cable retaining clip for possible fouling of the transmission fluid cooler.

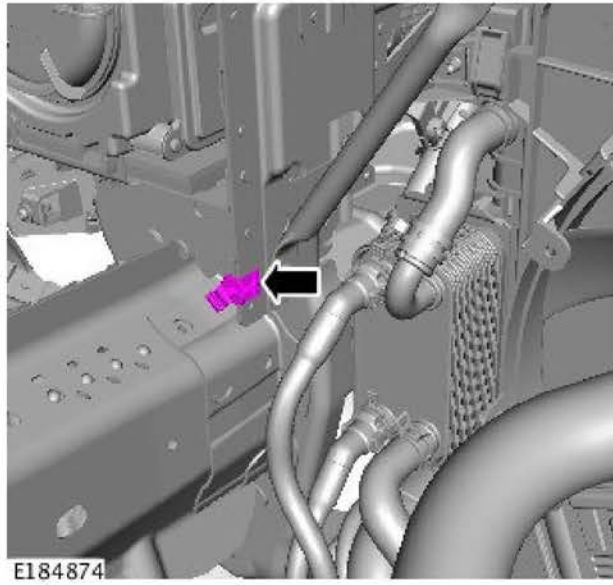


E184872

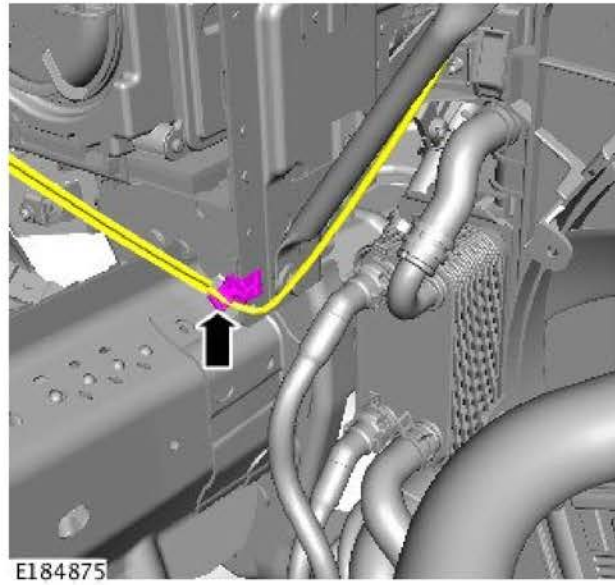
3. Remove the hood release cable retaining clip and position the hood release cable to one side.



4. Install the hood release cable retaining clip.



5. Install the hood release cable.



6. If a transmission fluid leak has occurred at the transmission fluid cooler, replace the transmission fluid cooler (see TOPIx Workshop Manual, section 307-02: Transmission/Transaxle Cooling).