

TECHNICAL BULLETIN
LTB00842NAS2
19 FEB 2016



© Jaguar Land Rover North America, LLC

NOTE: The information in Technical Bulletins is intended for use by trained, professional Technicians with the knowledge, tools, and equipment required to do the job properly and safely. It informs these Technicians of conditions that may occur on some vehicles, or provides information that could assist in proper vehicle service. The procedures should not be performed by 'do-it-yourselfers'. If you are not a Retailer, do not assume that a condition described affects your vehicle. Contact an authorized Land Rover service facility to determine whether this bulletin applies to a specific vehicle.

This reissue replaces all previous versions. Please destroy all previous versions.

Changes are highlighted in gray

SECTION: 211-04

Heated Steering Wheel Inoperative

AFFECTED VEHICLE RANGE:

Range Rover Evoque (LV)
Model Year: 2012
VIN: 000447-704212
Assembly Plant: Halewood

MARKETS:

NAS

CONDITION SUMMARY:

Situation: The Heated Steering Wheel may be inoperative.

Cause: This may be caused by an incorrect software level in the Steering Wheel Heater control module.

Action: Should a customer express this concern, follow the Service Instruction below.

PARTS:

LR028799 Steering Wheel Heater control module (SWH) Quantity: 1

TOOLS:

Refer to Workshop Manual / Service Instruction for any required special tools.

WARRANTY:

 **NOTE: Repair procedures are under constant review, and therefore times are subject to change; those quoted here must be taken as guidance only. Always refer to TOPIx to obtain the latest repair time.**

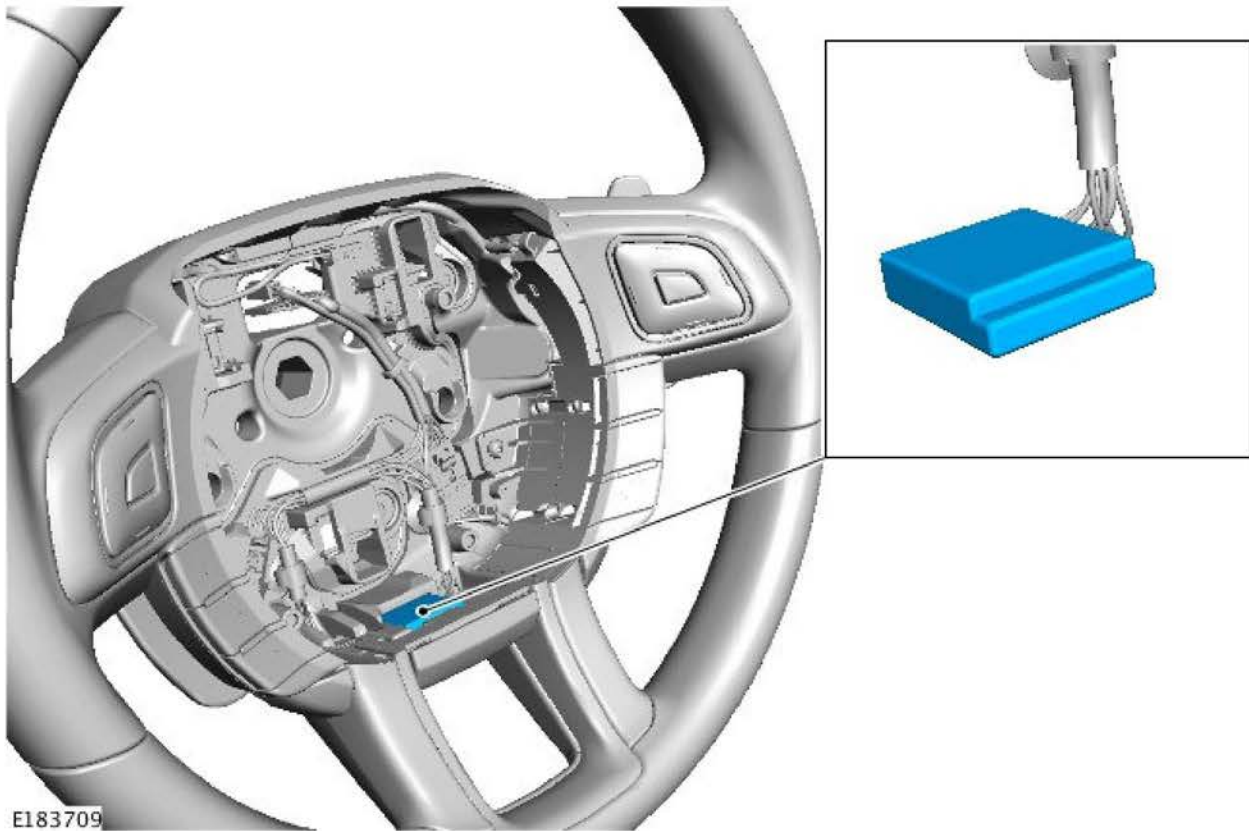
 **NOTE: DDW requires the use of causal part numbers. Labor only claims must show the causal part number with a quantity of zero.**

DESCRIPTION	SRO	TIME (HOURS)	CONDITION CODE	CAUSAL PART
Steering Wheel Heater control module - Renew	57.61.03	0.2	42	LR028799

 **NOTE: Normal Warranty procedures apply.**

COMPONENT LOCATION:

1. Steering Wheel Heater Control Module location.



E183709

SERVICE INSTRUCTION:

NOTE: removal steps in this procedure may contain installation details.

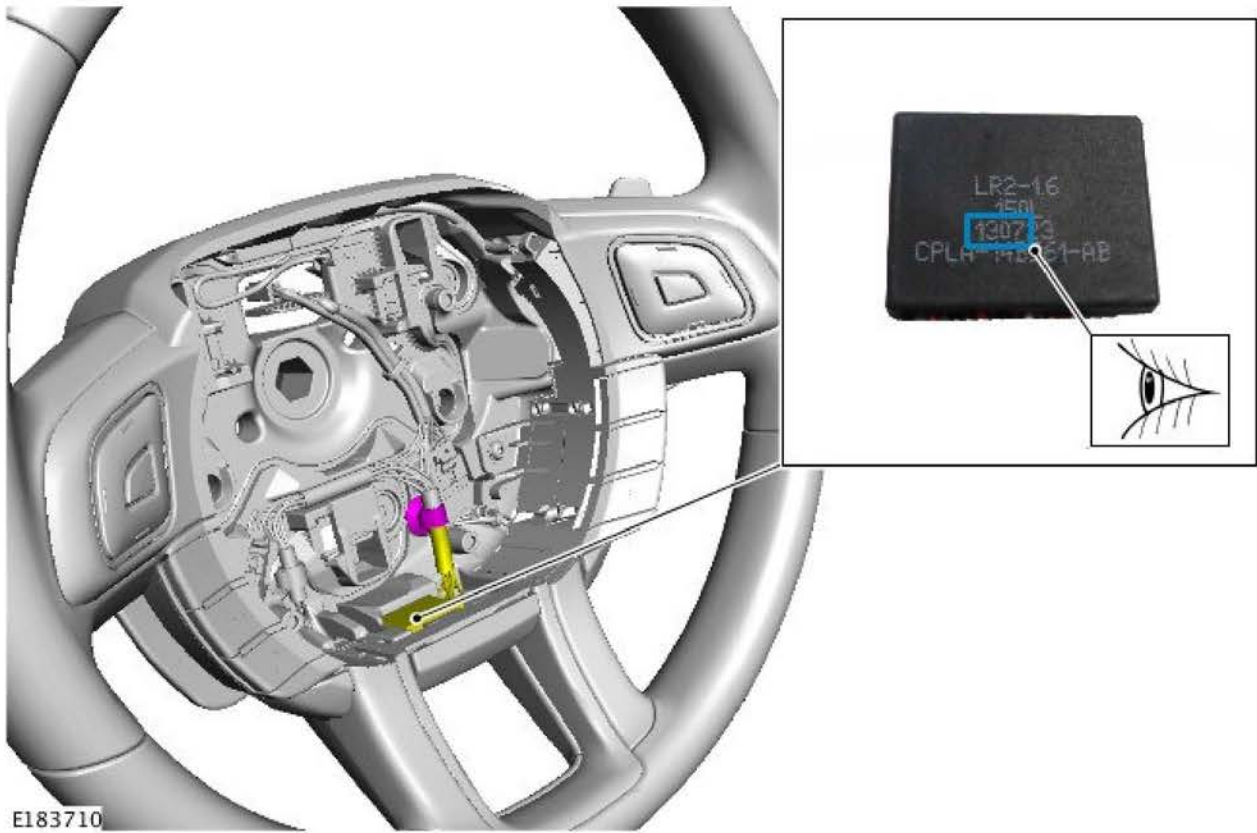


NOTE: some variation in the illustrations may occur, but the essential information is always correct.



NOTE: component shown removed for clarity.

1. Remove the driver airbag module (see TOPIX Workshop Manual, section 501-20B: Supplemental Restraint System)
2. Position the Steering Wheel Heater Control Module to one side and check the manufacturing date as shown.
 - If the date is before 08/2012 (**1208**) then proceed to the next step.
 - If the date is 08/2012 (**1208**) or later, proceed with the diagnosis of the fault. To be carried out as a separate claim.



E183710

3. Replace the Steering Wheel Heater Control Module (see TOPIX Workshop Manual, section 211-04: Steering Wheel).

4. To install, reverse the removal procedure.