

TECHNICAL BULLETIN
LTB00862NAS1
29 JAN 2016



© Jaguar Land Rover North America, LLC

NOTE: The information in Technical Bulletins is intended for use by trained, professional Technicians with the knowledge, tools, and equipment required to do the job properly and safely. It informs these Technicians of conditions that may occur on some vehicles, or provides information that could assist in proper vehicle service. The procedures should not be performed by 'do-it-yourselfers'. If you are not a Retailer, do not assume that a condition described affects your vehicle. Contact an authorized Land Rover service facility to determine whether this bulletin applies to a specific vehicle.

SECTION: 501-10

Second Row Seating Center Arm Rest Operating Handle Adrift/Broken - Lower-Level Service Repair

AFFECTED VEHICLE RANGE:

Range Rover Sport (LW)

Model Year: 2014 Onwards
VIN: 001154 Onwards
Assembly Plant: Solihull

Range Rover (LG)

Model Year: 2013 Onwards
VIN: 001204 Onwards
Assembly Plant: Solihull

MARKETS:

NAS

CONDITION SUMMARY:

Situation: The second row seating center arm rest operating handle may be adrift or broken.

Cause: This may be caused by various issues.

Action: Should a customer express this concern, follow the Service Instruction below to perform a lower-level service repair.

PARTS:

LR083126 Hi-Line Second Row Seating Center Armrest Handle Quantity: 1

TOOLS:

Refer to Workshop Manual for any required special tools.

WARRANTY:

 **NOTE: Repair procedures are under constant review, and therefore times are subject to change; those quoted here must be taken as guidance only. Always refer to TOPIx to obtain the latest repair time.**

 **NOTE: DDW requires the use of causal part numbers. Labor only claims must show the causal part number with a quantity of zero.**

DESCRIPTION	SRO	TIME (HOURS)	CONDITION CODE	CAUSAL PART
Second row seating center armrest operating handle - Renew	78.20.89.28	0.1	42	LR049372

 **NOTE: Normal Warranty procedures apply.**

COMPONENT LOCATION

1 Component location.



E185703

SERVICE INSTRUCTION:

NOTE: some variation in the illustrations may occur, but the essential information is always correct.



NOTE: removal steps in this procedure may contain installation details.

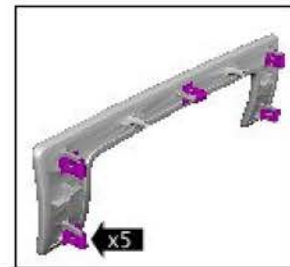


NOTE: some components shown removed for clarity.



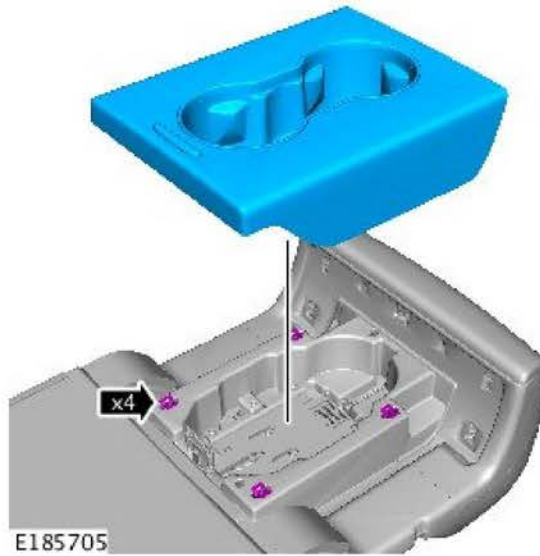
- 1 CAUTION:** extreme care must be taken when removing and installing the trim. Excessive force may result in damage to the component.

Using an appropriate trim removal tool to remove the second row seating center armrest trim.



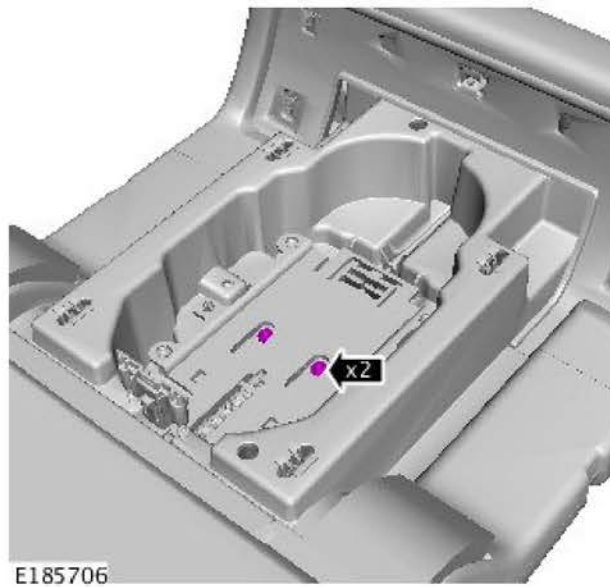
E185704

2 Remove the second row seating center armrest cup holder.

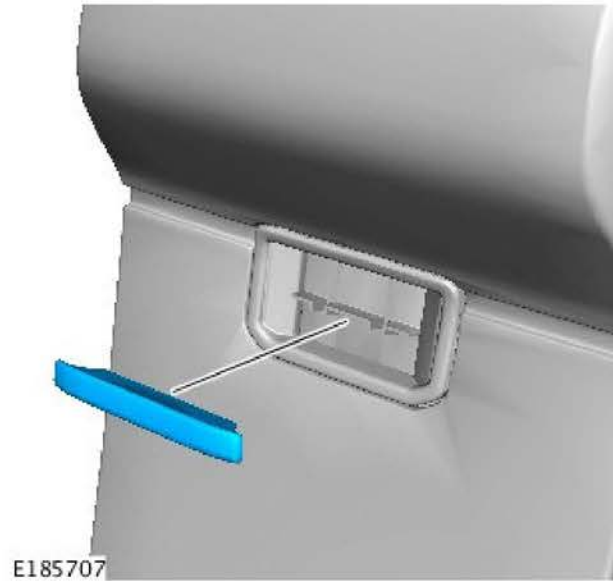


3 Remove the second row seating center armrest operating handle retaining screws.

- Torque: 1 Nm



4 Remove the second row seating center armrest operating handle.



5 Reverse steps 1-4 to install the new second row seating center armrest operating handle.