

TECHNICAL BULLETIN

LTB00928NAS1

27 APR 2016



© Jaguar Land Rover North America, LLC

NOTE: The information in Technical Bulletins is intended for use by trained, professional Technicians with the knowledge, tools, and equipment required to do the job properly and safely. It informs these Technicians of conditions that may occur on some vehicles, or provides information that could assist in proper vehicle service. The procedures should not be performed by 'do-it-yourselfers'. If you are not a Retailer, do not assume that a condition described affects your vehicle. Contact an authorized Land Rover service facility to determine whether this bulletin applies to a specific vehicle.

SECTION: 419-00

Water Ingress Into Rear Camera

AFFECTED VEHICLE RANGE:

Range Rover Evoque (LV)

Model Year: 2016
VIN: 077912-130458
Assembly Plant: Halewood

MARKETS:

NAS

CONDITION SUMMARY:

Situation: When reversing, the rear camera image may appear misted or foggy.

Cause: This may be caused by water Ingress into the rear camera bezel which then migrates into the rear camera.

Action: Should a customer express this concern, follow the Service Instruction below.

PARTS:

LR087678	Rear Camera Bezel	Quantity: 1
LR078535	Rear Camera Gen 2.1	Quantity: 1

WARRANTY:

 **NOTE: Repair procedures are under constant review, and therefore times are subject to change; those quoted here must be taken as guidance only. Always refer to TOPIx to obtain the latest repair time.**

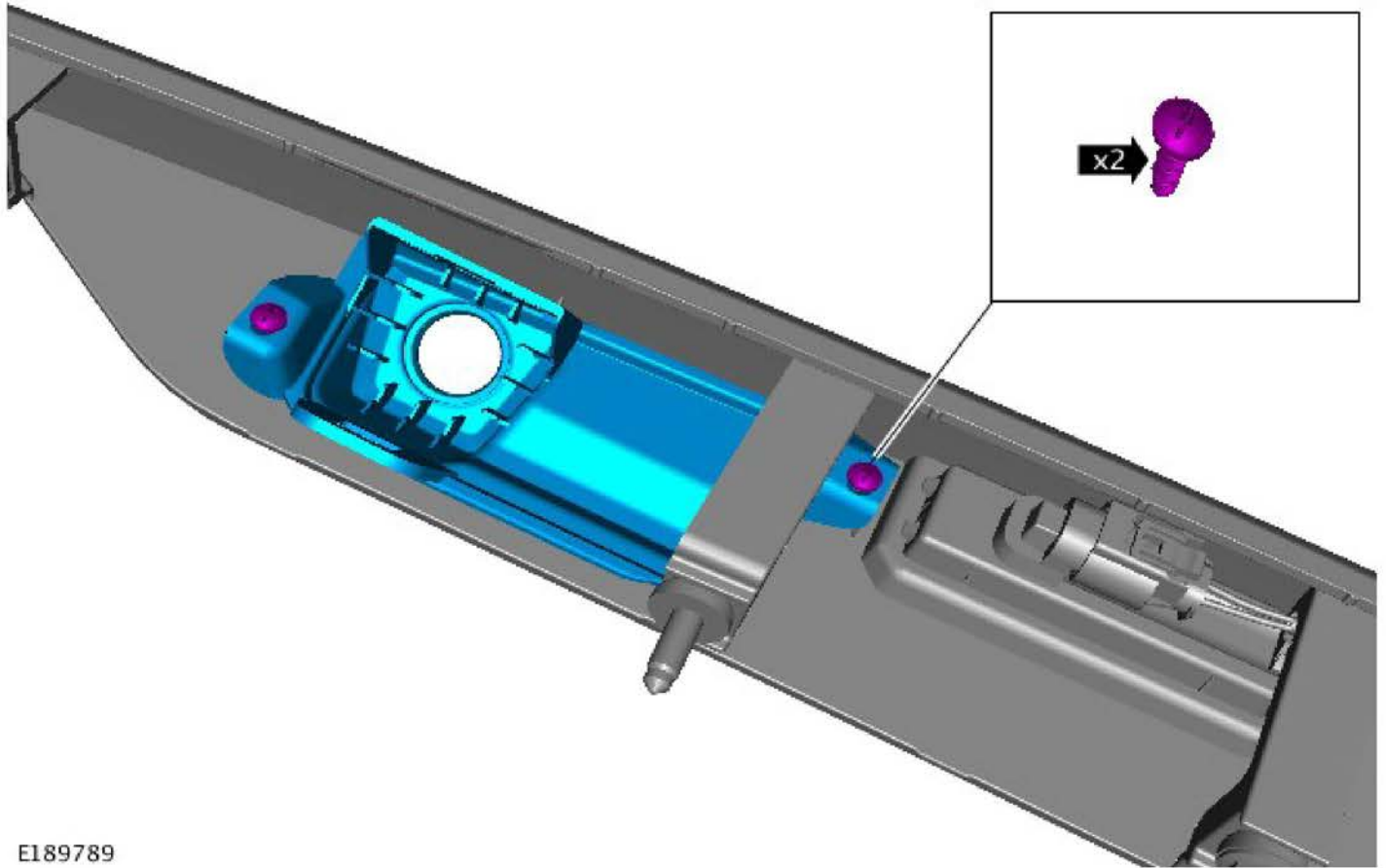
 **NOTE: DDW requires the use of causal part numbers. Labor only claims must show the causal part number with a quantity of zero.**

DESCRIPTION	SRO	TIME (HOURS)	CONDITION CODE	CAUSAL PART
Camera Bezel - Rear View - Renew	86.54.97	0.3	42	LR087678

 **NOTE: Normal Warranty procedures apply.**

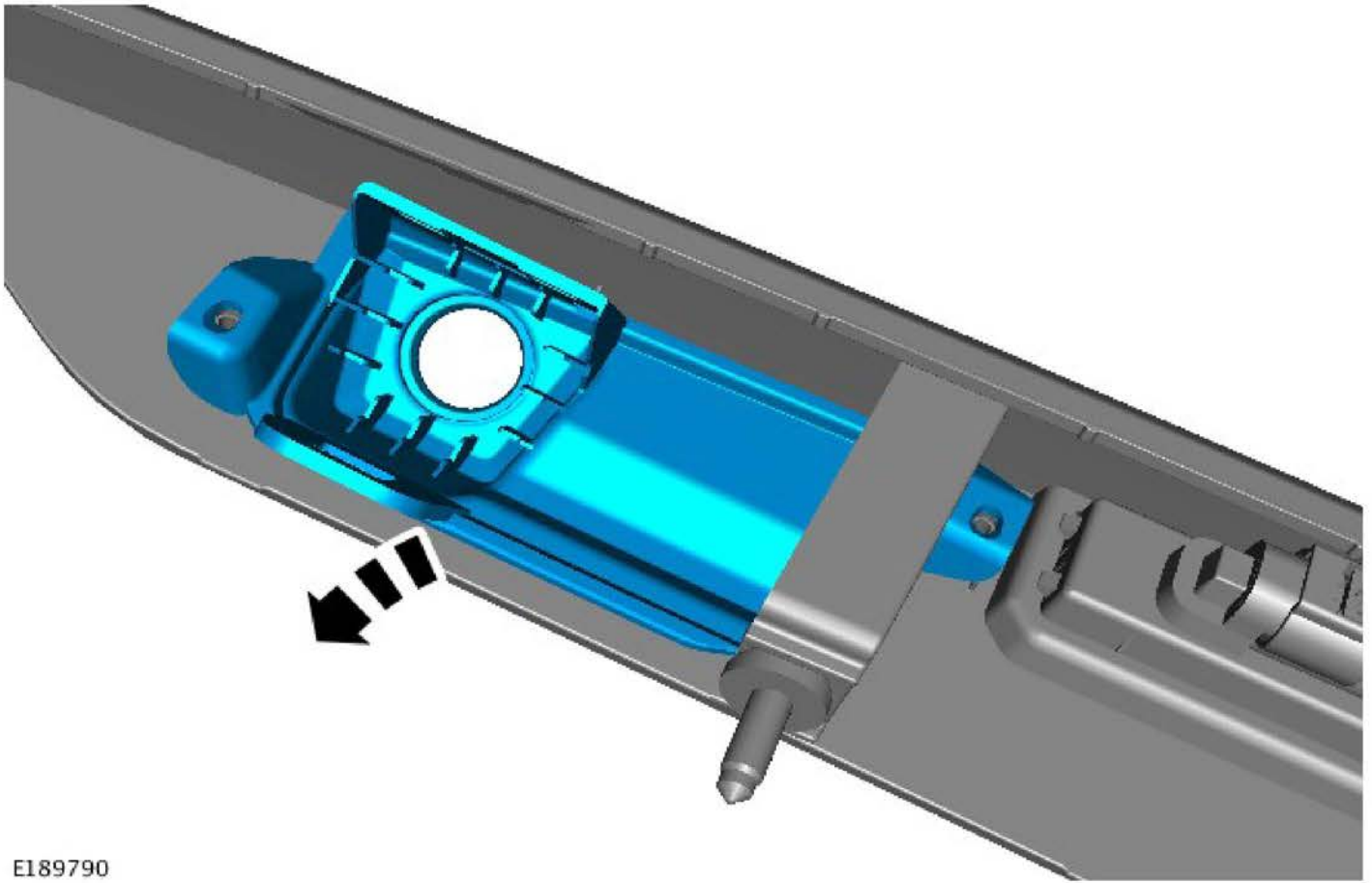
SERVICE INSTRUCTION:

1. Remove the tailgate moulding (see TOPIx Workshop Manual section 501-08: Exterior Trim and Ornamentation - Tailgate Moulding).
 - Follow the removal Steps 1-5 only.
2. Remove the two rear camera bezel screws.



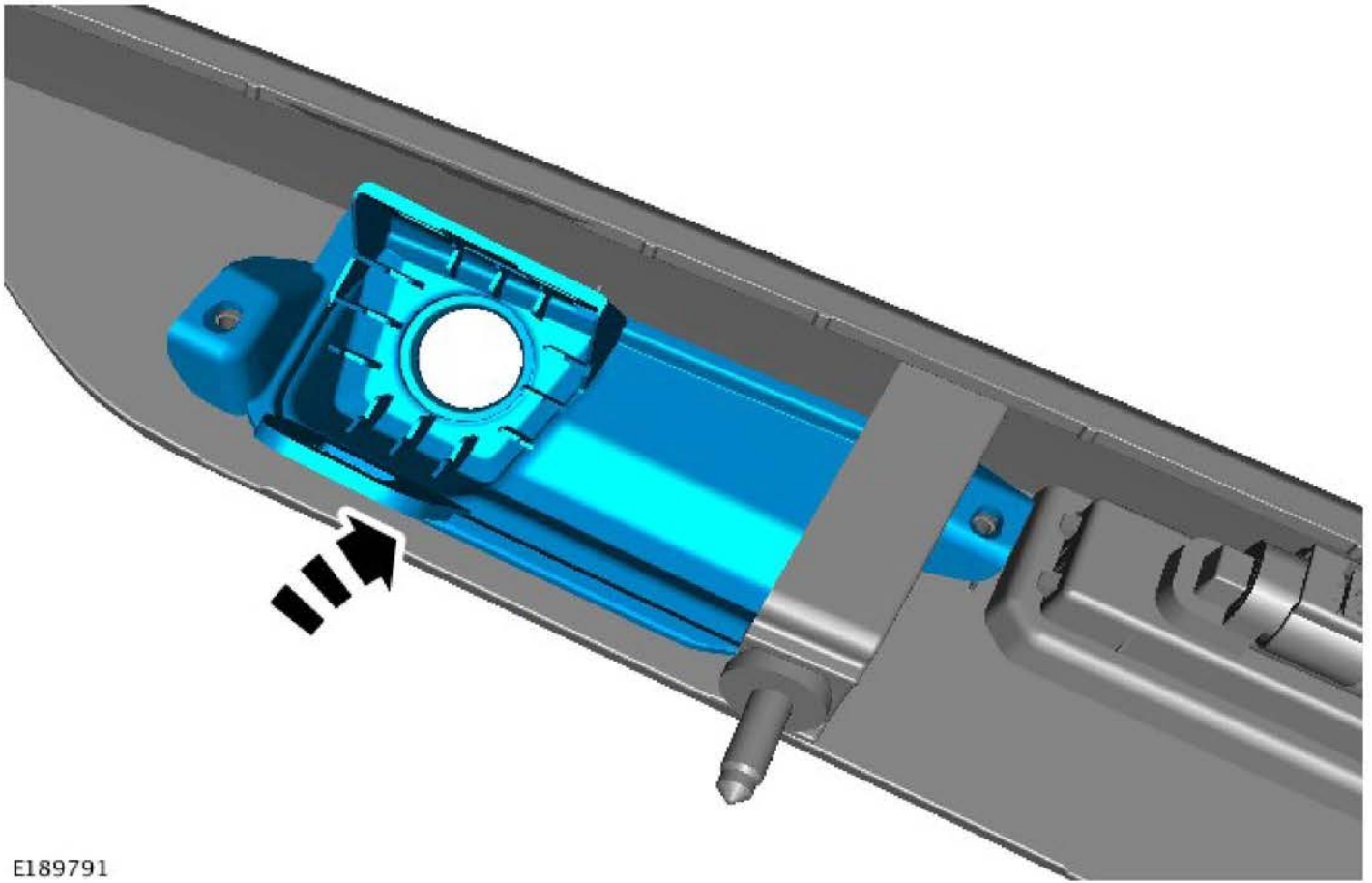
E189789

3. Remove the rear camera bezel.



E189790

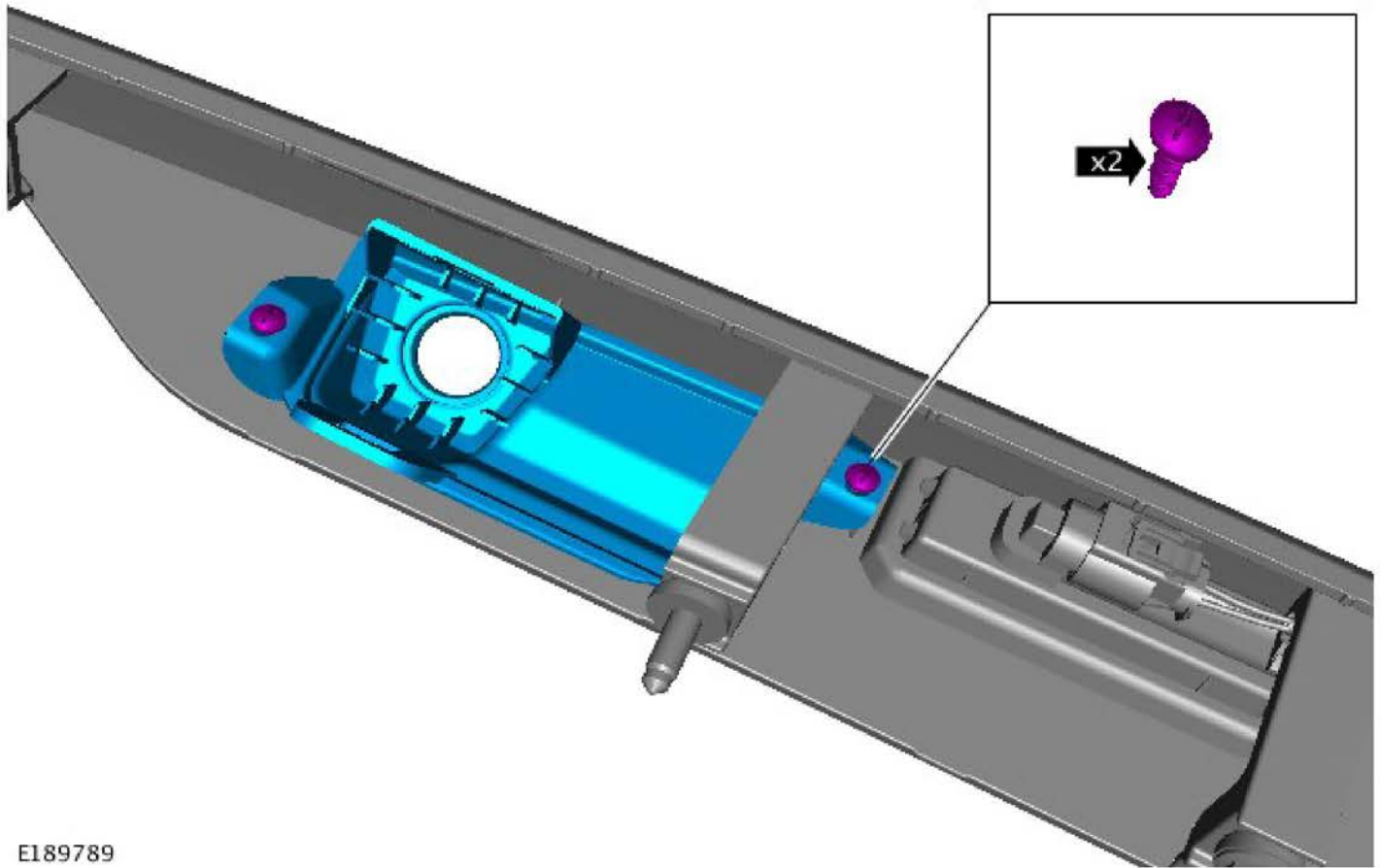
4. Install the new rear camera bezel.



E189791

5. Install the two rear camera bezel screws.

- Torque: 1.2Nm



E189789

6. Install the tailgate moulding (see TOPIx Workshop Manual section 501-08: Exterior Trim and Ornamentation - Tailgate Moulding).
 - Follow the installation Steps 1-5 only.