

TECHNICAL BULLETIN

LTB00923NAS1

27 APR 2016



© Jaguar Land Rover North America, LLC

NOTE: The information in Technical Bulletins is intended for use by trained, professional Technicians with the knowledge, tools, and equipment required to do the job properly and safely. It informs these Technicians of conditions that may occur on some vehicles, or provides information that could assist in proper vehicle service. The procedures should not be performed by 'do-it-yourselfers'. If you are not a Retailer, do not assume that a condition described affects your vehicle. Contact an authorized Land Rover service facility to determine whether this bulletin applies to a specific vehicle.

SECTION: 501-10

Second Row Seat Rail Edge Exposed

AFFECTED VEHICLE RANGE:

Discovery Sport (LC)

Model Year: 2015 Onwards
VIN: 500429 Onwards
Assembly Plant: Halewood

Range Rover Sport (LW)

Model Year: 2014 Onwards
VIN: 001154 Onwards
Assembly Plant: Solihull

MARKETS:

NAS

CONDITION SUMMARY:

Situation: The leading edge of the second row seat rail may cause discomfort to passengers if contacted with force while the seat is in its rearmost setting.

Cause: This may be caused by seat rail edge being exposed while the seat is in its rearmost setting.

Action: Should a customer express this concern, follow the Service Instruction below.

PARTS:


| | | |
|----------|-----------------------|-------------|
| LR085165 | Plastic Cover (Black) | Quantity: 4 |
| STC50546 | Glue Medium Viscosity | Quantity: 1 |

TOOLS:

Refer to Workshop Manual/Service Instruction for any required special tools.

WARRANTY:

 **NOTE:** Repair procedures are under constant review, and therefore times are subject to change; those quoted here must be taken as guidance only. Always refer to TOPIx to obtain the latest repair time.

 **NOTE:** DDW requires the use of causal part numbers. Labor only claims must show the causal part number with a quantity of zero.

| DESCRIPTION | SRO | TIME (HOURS) | CONDITION CODE | CAUSAL PART |
|---------------------------------------|--------------------|--------------|----------------|-------------|
| Seat rail - Second row - Modification | 78.85.89.68 | 0.1 | 91 | LR059298 |

 **NOTE:** Normal Warranty procedures apply.

SERVICE INSTRUCTION:

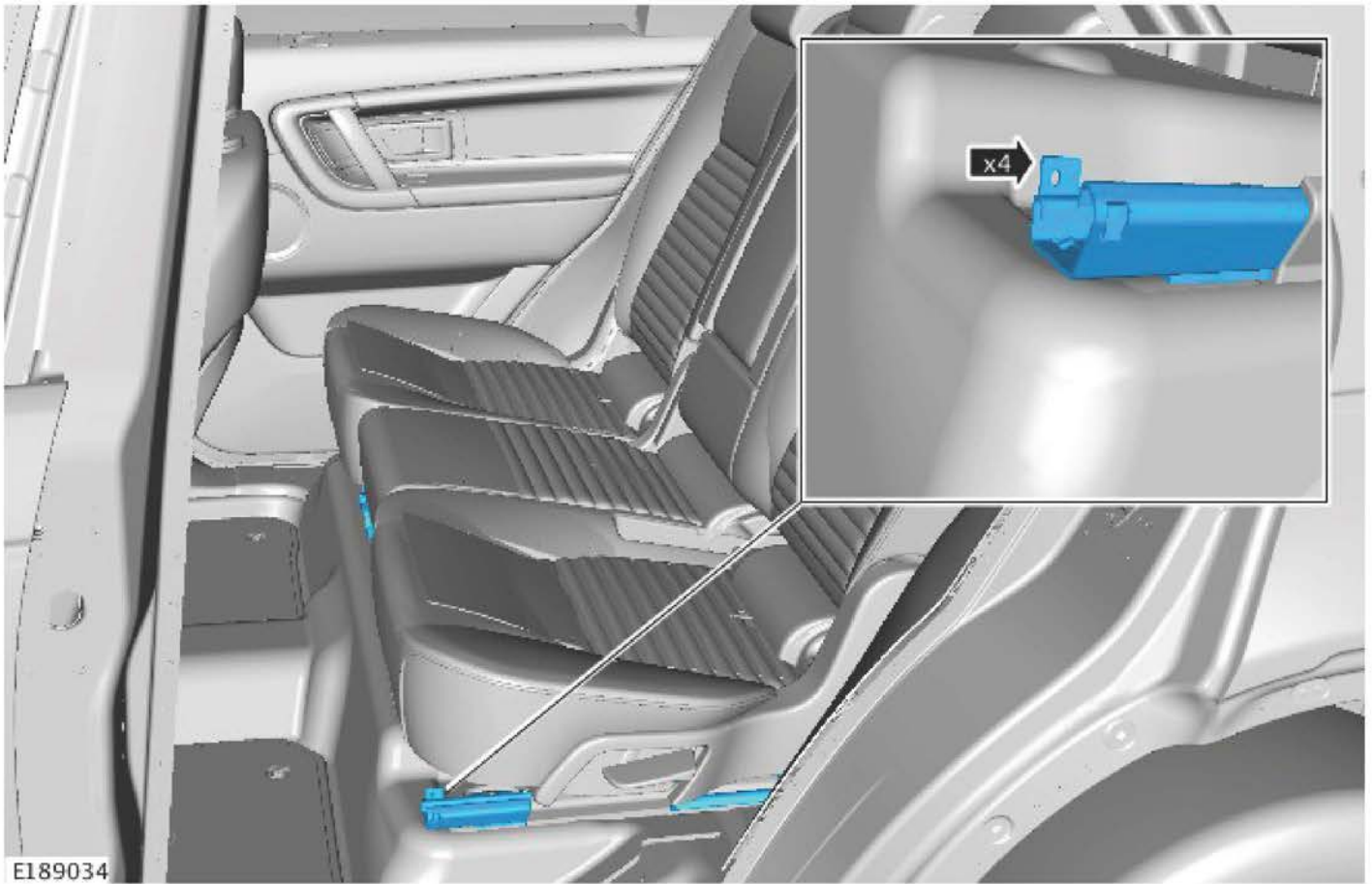
1. Open the rear doors of the vehicle.

1. Open the rear doors of the vehicle.
2. Move the rear seat to the rearmost position.



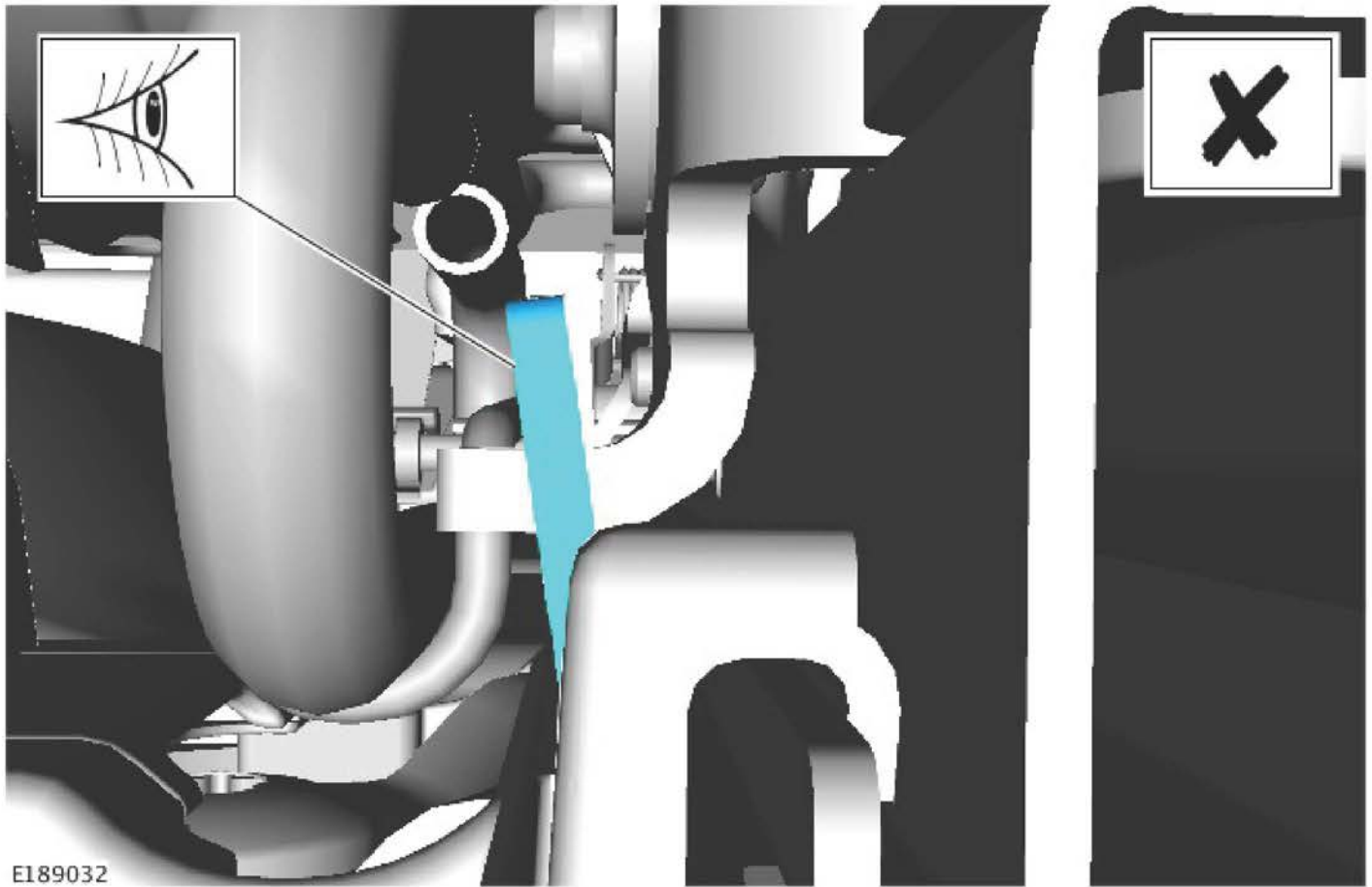
3.  **NOTE: left shown; right similar.**

Identify the area of the four second row seat rails to be modified.



4.  **NOTE: repeat this step on all of the second row seat rails.**

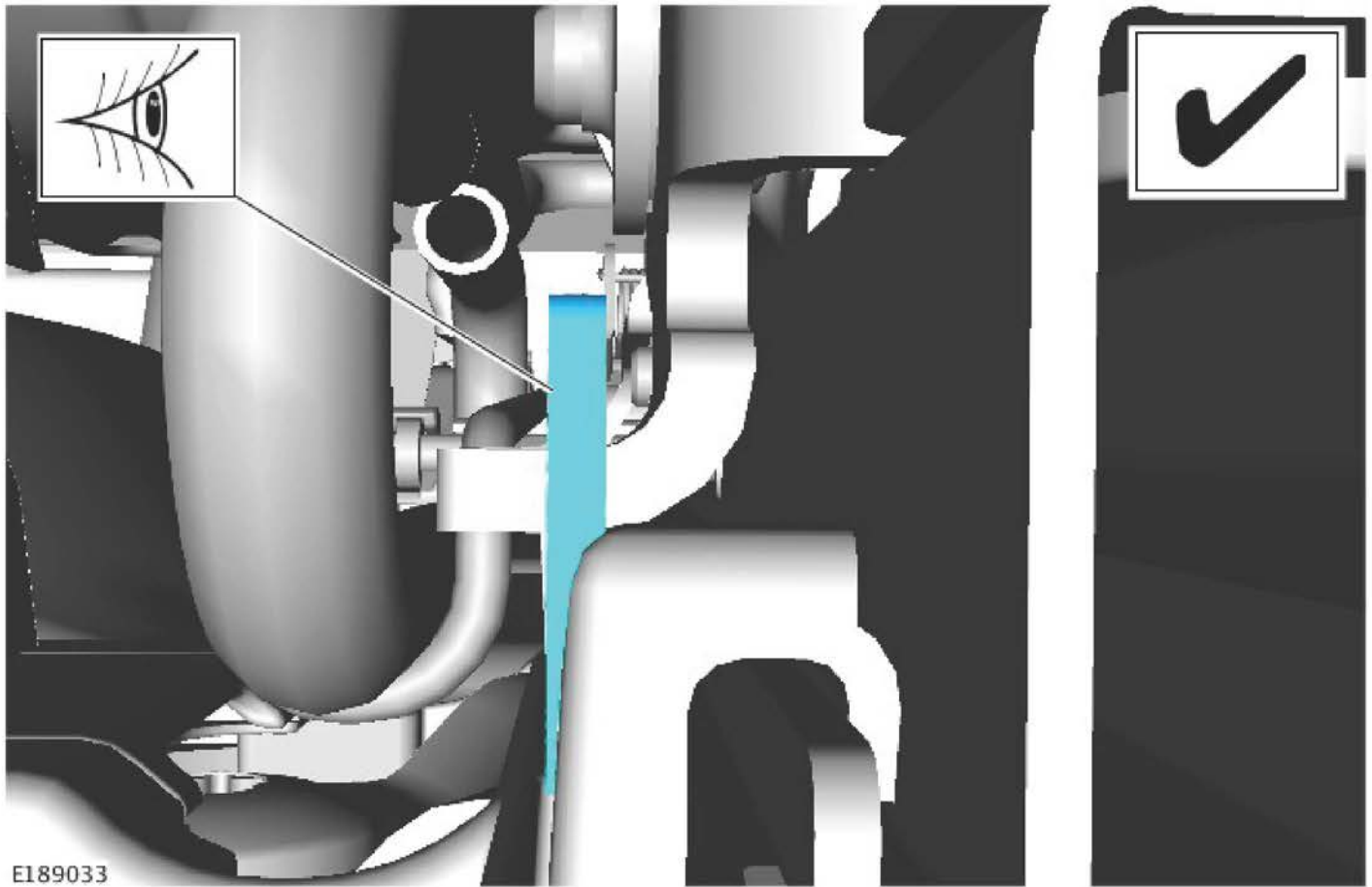
Check the alignment of the seat rail tang.



5.  **CAUTION:** make sure no damage is caused to the vehicle.

 **NOTE:** repeat this step on all of the second row seat rails.

Using a suitable tool, make sure the seat rail tang is in the position shown.

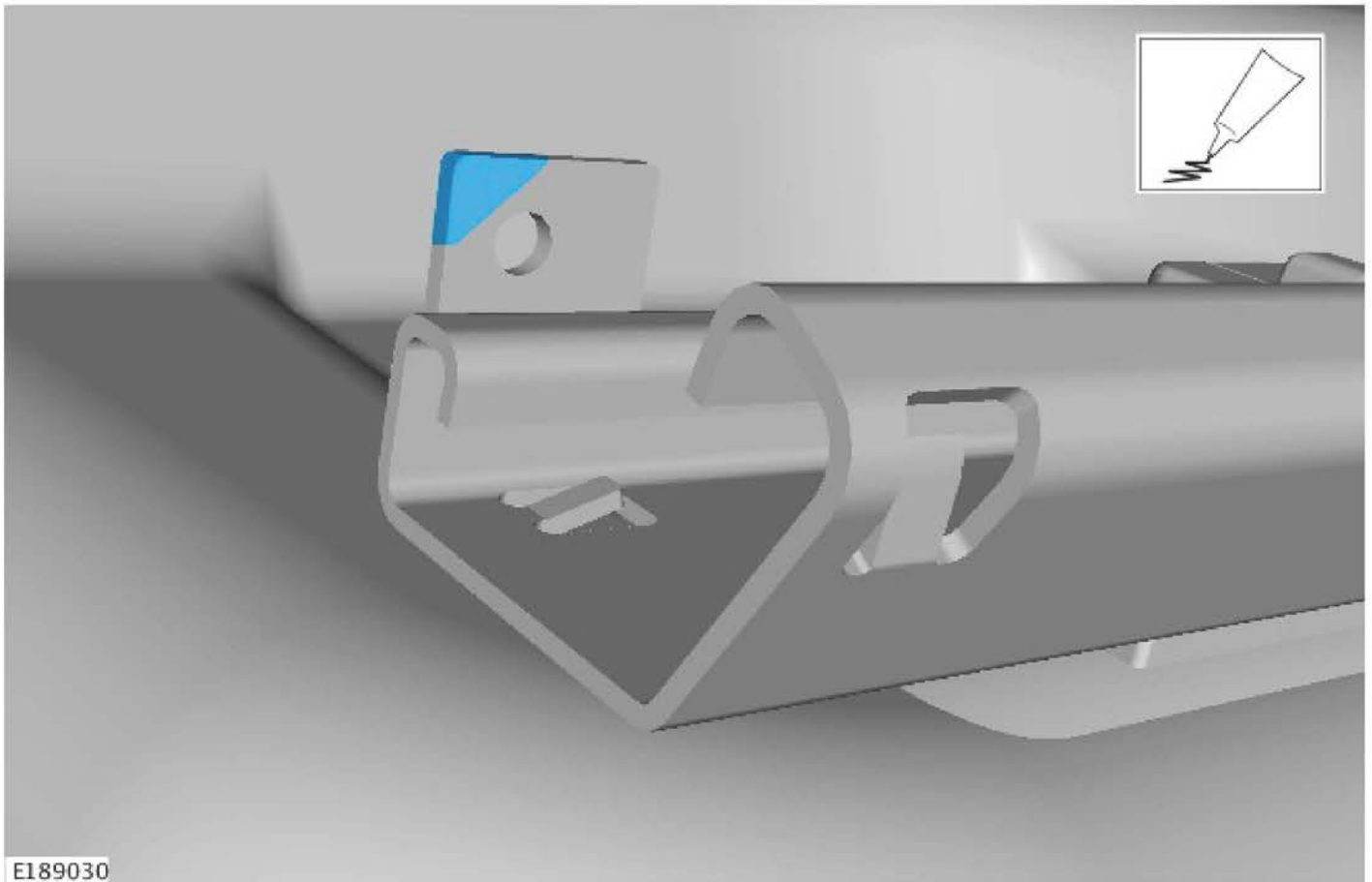


E189033

6.  **CAUTION:** make sure no damage is caused to the vehicle when applying the glue.

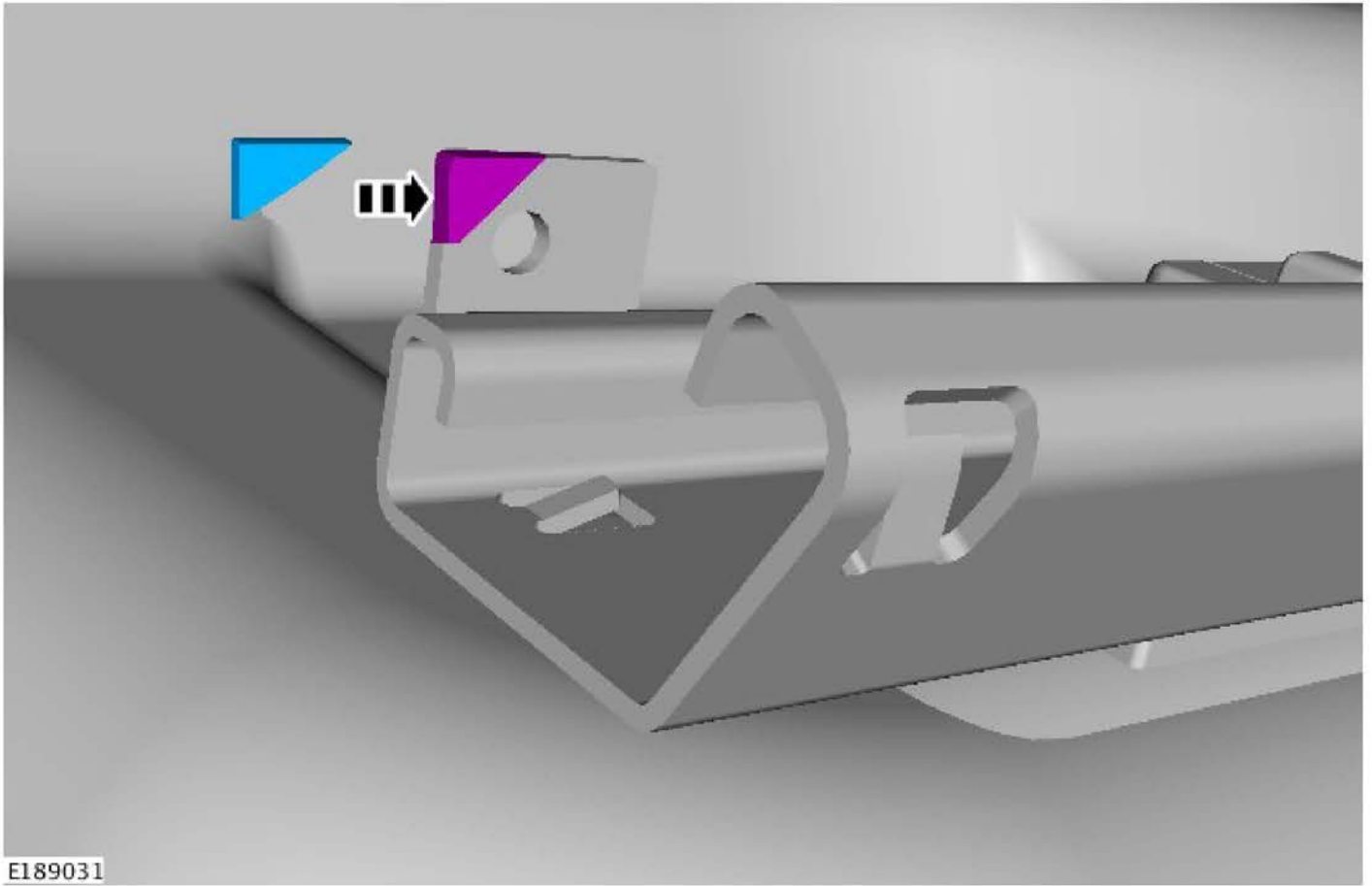
 **NOTE:** repeat this step on all of the second row seat rails.

Apply the glue in the area shown.



7.  **NOTE: repeat this step on all of the second row seat rails.**

Install the plastic cover to the seat rail in the area shown.



8. Close the rear doors of the vehicle.