



# Technical Service Bulletin

SUBJECT:		No: <b>TSB-16-00-003</b>	
<b>NEW MODEL FEATURES &amp; SERVICE INFORMATION – 2017 MIRAGE</b>		DATE: <b>March, 2016</b>	
		MODEL: <b>2017 Mirage</b>	
CIRCULATE TO:	<input type="checkbox"/> GENERAL MANAGER	<input checked="" type="checkbox"/> PARTS MANAGER	<input checked="" type="checkbox"/> TECHNICIAN
<input checked="" type="checkbox"/> SERVICE ADVISOR	<input checked="" type="checkbox"/> SERVICE MANAGER	<input checked="" type="checkbox"/> WARRANTY PROCESSOR	<input checked="" type="checkbox"/> SALES MANAGER

## PURPOSE



GT Shown

This bulletin highlights new model features, service, and option package information for the **2017 Mirage** (U.S. Models, other markets may be different). Review the details that follow to familiarize yourself with this information. Refer to the 2017 Mirage Service Manual and Technical Information Manual on MEDIC, MDL, or CD (*p/n MSCD-016B-2017*), and the Owner's Manual for details on these and other features. For information about the Display Audio with Smartphone Link with Apple CarPlay™ and Android Auto™, refer to the user guide in the glovebox.

## AFFECTED VEHICLES

2017 Mirage

## MODEL LINEUP

Model	Engine	Transmission
ES	3A92 – 1.2L DOHC MIVEC 12 valve inline 3 cyl.	Standard: 5 spd. MT
SE		Optional: CVT
GT		CVT

## SERVICE INFORMATION

See TSB-16-00-002 for Technical Specifications.

## NEW FEATURE HIGHLIGHTS

### EXTERIOR

Dimension changes: Overall length and front overhang is longer	All 2017 Mirage
New styling: hood, front & rear bumpers, chrome upper & lower grilles	All 2017 Mirage
New exterior colors: Wine Red, Sunrise Orange	All 2017 Mirage
Improved aerodynamics: Front/rear tire air dams, rear spoiler shape modified to reduce drag resistance	All 2017 Mirage
New LED tail lamps	All 2017 Mirage
New HID headlamps with light tube	2017 Mirage GT
New bezel fog lamps	All 2017 Mirage
New 14-inch wheel cover design	2017 Mirage ES
New 14-inch alloy wheel design	2017 Mirage SE
New 15-inch two-tone alloy wheels	2017 Mirage GT

### COMMENTS

**INTERIOR**

New seat fabrics	All 2017 Mirage
Multi-information display: outside temperature indication added (models w/Auto A/C)	2017 Mirage SE / GT
New steering wheel design w/chromium decoration	2017 Mirage SE / GT
New combination meter display with constant illumination and chrome rings	2017 Mirage SE / GT
New glossy black finish on door panel accents (SE/GT), shift panel (GT), MT shift knob (SE)	2017 Mirage SE / GT

**ELECTRICAL**

New keyless entry key	2017 Mirage ES
Manual A/C	2017 Mirage ES
New Display Audio with Smartphone Link with Apple CarPlay™ and Android Auto™	2017 Mirage SE / GT
Front seat heaters	2017 Mirage GT
New 300-Watt Rockford-Fosgate® EcoPunch™	Accessory option

**ENGINE**

Horsepower increased to 78 hp	All 2017 Mirage
New roller type camshaft to reduce frictional resistance, improve efficiency	All 2017 Mirage
New exhaust manifold (MCC) and aluminum manifold cover to reduce noise and weight	All 2017 Mirage

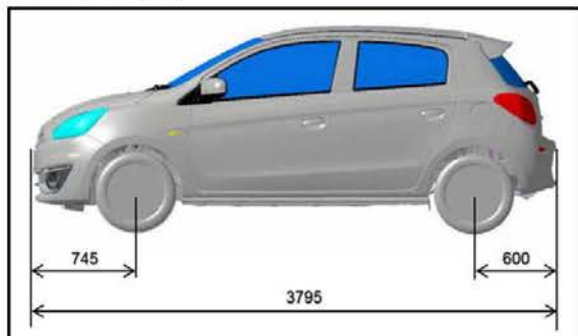
**TRANSMISSION**

New 6 position CVT: "Ds" position added to enhance traction force (compared to D range) and engine braking (weaker than L range)	All 2017 Mirage
--	-----------------

**SUSPENSION & HANDLING**

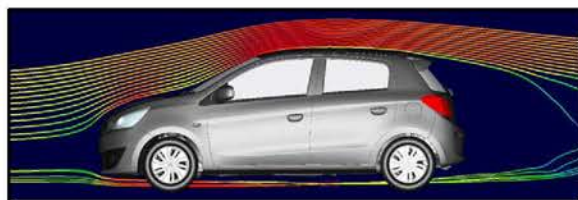
Braking enhancement (larger front & rear brakes)	All 2017 Mirage
Shock absorbers: Front stiffener added, spring rate optimized to enhance handling and stability	All 2017 Mirage
EPS (electronic power steering) recalibrated for improved steering feel	All 2017 Mirage
Hill Start Assist (HSA) added to MT models	2017 Mirage ES / SE

## EXTERIOR



### Dimensions

The overall length of the 2017 Mirage has been increased from 3,780 mm to 3,795 mm, increasing the front overhang length.

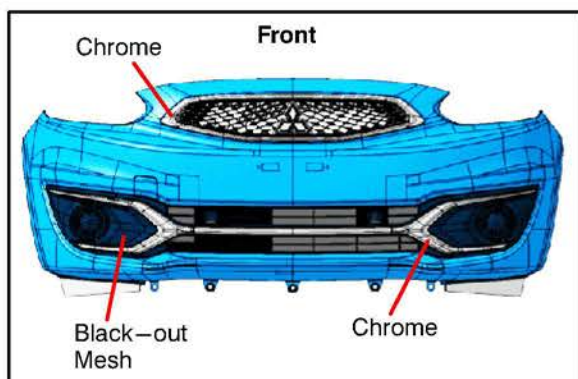


### Aerodynamics

The aerodynamics has been improved with modifications to the following areas:

- Rear spoiler shape.
- Front tire air dam shape.
- Rear tire air dam added.

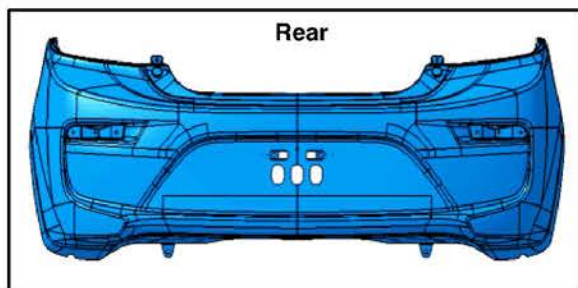
These changes reduce drag resistance and allow for smoother air flow while driving.



### New Styling: Hood, Bumpers, Grille

The hood, bumpers, and grille have been redesigned to have a bigger and more unique appearance.

- New chrome accents on front upper and lower grilles.
- Black-out mesh design added to lower grille.



- The redesigned rear bumper is composed of new material with more elasticity. This allows for a reduced thickness, which in turn reduces weight.
- Hood design has also been updated and a stiffener added for improved rigidity.



## **EXTERIOR (continued)**



### **Lights**

New HID head lamps with LED light tube are standard on GT models.



Newly designed LED rear combination lamp, standard on all models, features improved power saving and visibility.

### **New Wheel Designs**

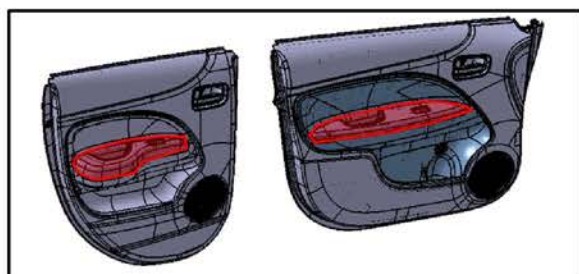
- New 15" two-tone alloy wheels (GT).
- New 14" alloy wheel design (SE).
- New 14" wheel cover (ES).



## INTERIOR



A new leather steering wheel has an updated shape, and added accents of high gloss piano black and chrome (SE, GT).



New door panel accents with high gloss piano black (also on center panel, shift panel [GT], and MT shift knob [SE]).



New combination meter display with constant illumination, accented with chrome rings. The new display also has an added function to show outside temperature (SE, GT with Auto A/C).

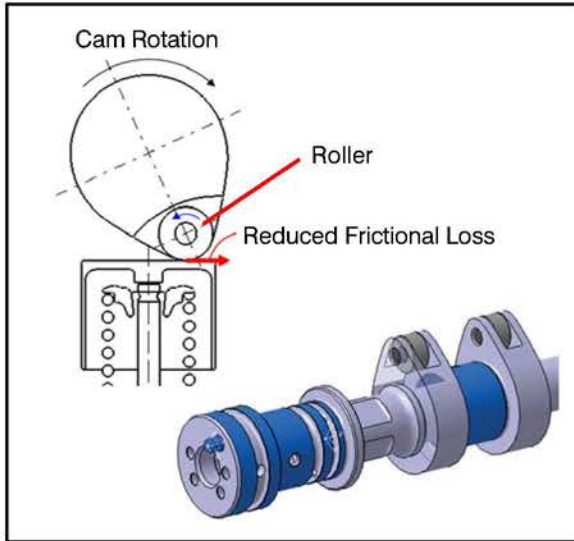
## ELECTRICAL



New Display Audio with Smartphone Link with Apple CarPlay™ and Android Auto™.



## ENGINE

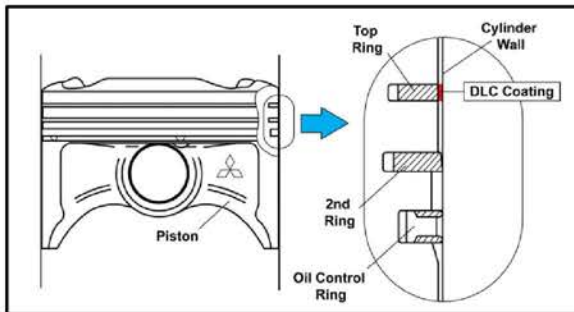


### Engine Friction Reduced

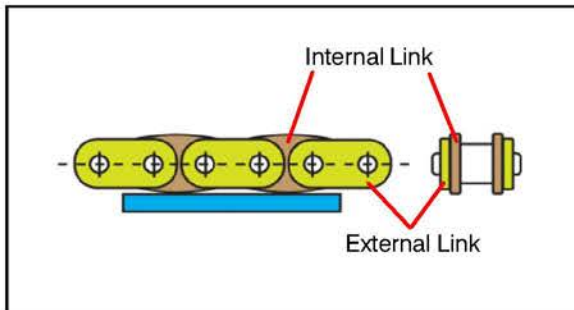
The following improvements reduce frictional resistance and improve engine efficiency.

- a. New camshaft with roller design (CVT equipped vehicles only).

Both intake and exhaust camshafts incorporate roller design to reduce frictional losses.



- b. New top piston ring contact surface has Diamond Like Carbon (DLC) coating to reduce friction.

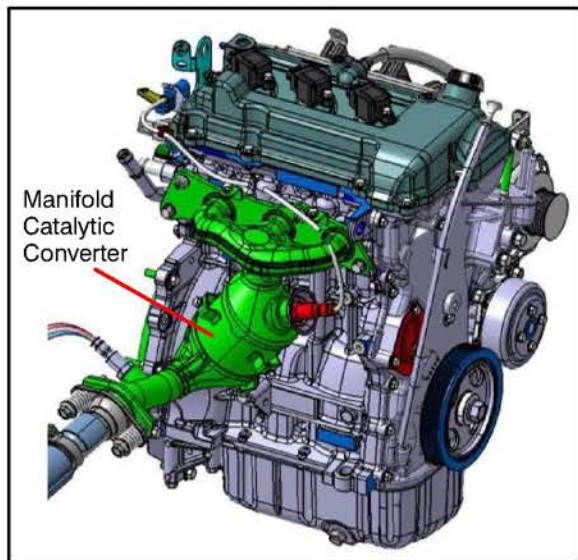


- c. New low friction timing chain.

- Internal links are reshaped and ride against the guide and tensioner resin surfaces.
- External links no longer contact the guide and tensioner, reducing frictional resistance.



## **ENGINE (continued)**



### **Exhaust System**

A new Manifold Catalytic Converter (MCC) replaces the previous Front Catalytic Converter (FCC).

Relocated closer to the engine under the exhaust manifold, the converter heats up quickly and improves catalyst efficiency.

## **TRANSMISSION**

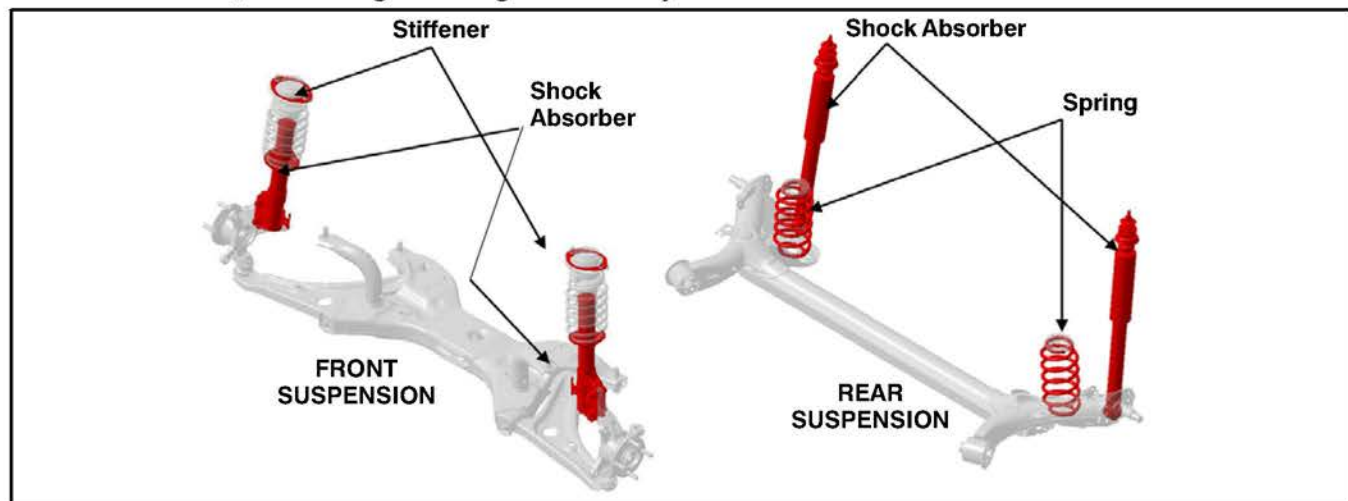


### **New 6 position CVT gearshift.**

On 2017 Mirage, a new position “Ds” has been added between D and L for enhanced traction force (compared to D range) and engine braking (weaker than L range). The previous position “B” has been changed to “L” and has a higher gear ratio for further engine braking.

## **SUSPENSION**

A stiffener and new struts were added to the front suspension, and new springs and shocks were added to the rear, enhancing handling and stability.



## **PORT OPTION PACKAGES – Available on all trim levels**

### **EXTERIOR PACKAGE**

- LED DRL w/ garnish
- Rear bumper garnish
- Exhaust finisher
- Tailgate garnish

### **ROCKFORD FOSGATE® PACKAGE**

- 300-watt EcoPunch™ amplifier and subwoofers

### **PROTECTION PACKAGE**

- Front and rear mudguards
- Scuff plates

### **CARGO PACKAGE**

- Cargo mat
- Cargo net

### **LED ILLUMINATION PACKAGE**

- Floor illumination (blue)
- Center console illumination (blue)
- Room lamp

### **PARKING ASSIST PACKAGE**

- Front & rear park assist sensors

## **AVAILABLE INDIVIDUAL OPTIONAL EQUIPMENT – Available on all trim levels\***

\* Except where noted.

- Accessory side sill extensions
- Accessory Remote Engine Start (SE, GT)
- Accessory Bluetooth Hands Free Kit (ES only)
- Accessory wheel locks (SE, GT)
- Accessory all weather floormats
- Accessory cargo tray
- Accessory body side molding
- Accessory fog lights (ES only, fog lights are standard on SE, GT)
- Accessory LED DRL w/garnish

## **WARRANTY**

### **2017 Mirage (U.S.)**

**NOTE:** SEE WB 2017-003 FOR 2017 MY MIRAGE WARRANTY HIGHLIGHTS

- Basic – 5 years or 60,000 miles
- Powertrain – 10 years or 100,000 miles
- Rust Perforation – 7 years or 100,000 miles
- Adjustments – 1 year or 12,000 miles
- Roadside Assistance – 5 years/unlimited miles