

TECHNICAL BULLETIN
LTB00990NAS1
11 OCT 2016



© Jaguar Land Rover North America, LLC

NOTE: The information in Technical Bulletins is intended for use by trained, professional Technicians with the knowledge, tools, and equipment required to do the job properly and safely. It informs these Technicians of conditions that may occur on some vehicles, or provides information that could assist in proper vehicle service. The procedures should not be performed by 'do-it-yourselfers'. If you are not a Retailer, do not assume that a condition described affects your vehicle. Contact an authorized Land Rover service facility to determine whether this bulletin applies to a specific vehicle.

SECTION: 206-04

Rear Brake Disc Corrosion

AFFECTED VEHICLE RANGE:

Discovery Sport (LC)

Model Year: 2015 Onwards
VIN: 500301 Onwards
Assembly Plant: Halewood

Range Rover Evoque (LV)

Model Year: 2016 Onwards
VIN: 077912 Onwards
Assembly Plant: Halewood

MARKETS:

NAS

CONDITION SUMMARY:

Situation: Corrosion may be evident on the rear brake discs, which may also be accompanied by a grinding noise and/or vibration/judder while braking

Cause: This may be caused by the lower work rate of the rear brakes as the front-to-rear brake pressure split could prevent rear disc surface oxidation from being fully cleaned on brake application.

Action: Should a Customer express this concern, follow the Service Instruction below.

PARTS:

LR061388	Brake Disc - Rear - Discovery Sport (L550)	2
LR072016	Brake disc - Rear - Range Rover Evoque (L538)	2
LR095167	Brake pad set - Rear	1
LR042690	Brake caliper carrier - Fastener	4

TOOLS:

Jaguar Land Rover-approved Midtronics battery power supply



E192494

Jaguar Land Rover-approved diagnostic tool with latest SDD software, Calibration File



E179225

Refer to Workshop Manual/Service Instruction for any required special tools

WARRANTY:

△ **NOTE:** Repair procedures are under constant review, and therefore times are subject to change; those quoted here must be taken as guidance only. Always refer to TOPIx to obtain the latest repair time.

△ **NOTE:** DDW requires the use of causal part numbers. Labor only claims must show the causal part number with a quantity of zero.

DESCRIPTION	SRO	TIME (HOURS)	CONDITION CODE	CAUSAL PART
Discs and Pads - Rear - Axle Set - Renew - Discovery Sport (L550)	70.12.37	0.9	D7	LR061388
Discs and Pads - Rear - Axle Set - Renew - Range Rover Evoque (L538)	70.12.37	0.8	D7	LR061388

△ **NOTE:** Normal Warranty procedures apply.

SERVICE INSTRUCTION:

! **WARNING: Brake pads must be renewed in axle sets only. Failure to follow this instruction may result in braking efficiency being impaired.**

! **CAUTION: A Jaguar Land Rover-approved Midtronics battery power supply must be connected to the vehicle battery during diagnosis / module programming.**

! **CAUTION: Make sure all ignition ON/OFF requests are carried out; failure to perform these steps may cause damage to control modules in the vehicle.**

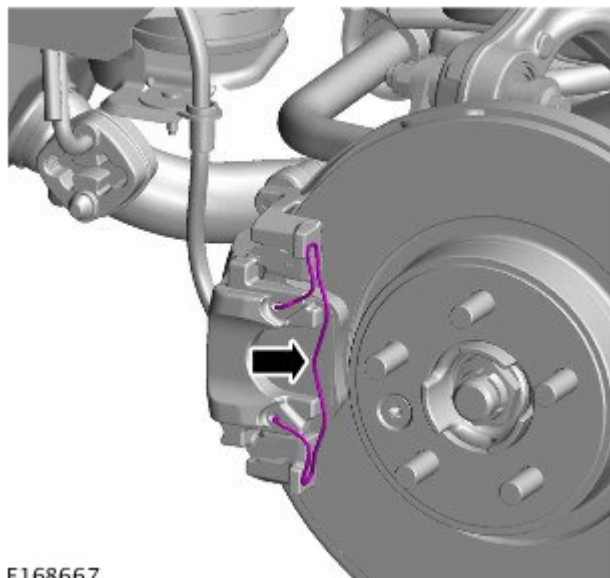
! **NOTE: The Jaguar Land Rover-approved diagnostic tool must be loaded with SDD146.06 v.247 (or later).**

! **NOTE: Removal steps in this procedure may contain installation details.**

1. Connect the Jaguar Land Rover-approved Midtronics battery power supply to the vehicle battery.
2. Switch the ignition ON (engine not running).
3. Connect the Jaguar Land Rover-approved diagnostic tool to the vehicle and begin a new session.
4. Follow the on-screen prompts, allowing the diagnostic tool to read the VIN, identify the vehicle, and initiating the data collect sequence.
5. Select **Service Functions** from the Session Type screen.
6. Select **Run** to perform the '**Parking brake - Parking brake pad replacement - Release to service position**' option.
7. Follow all on-screen instructions to complete this task.
8. When all tasks are complete, select the **Session** tab and then select the **Close Session** option.
9. Disconnect the diagnostic tool and battery power supply from the vehicle.

! **WARNING: Make sure the vehicle is supported with axle stands.**

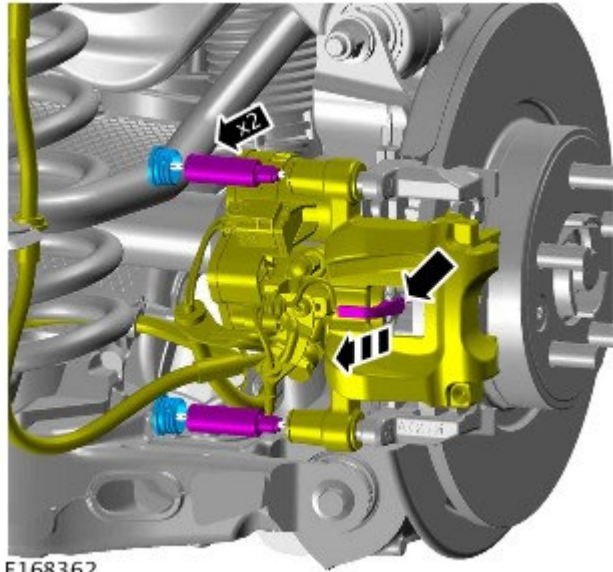
10. Raise and support the vehicle (see TOPIx Workshop Manual section 100-02: Jacking and Lifting - Lifting).
11. Remove the rear right-hand wheel and tire (see TOPIx Workshop Manual section 204-04: Wheels and Tires - Wheel and Tire).
12. Remove the retaining clip.



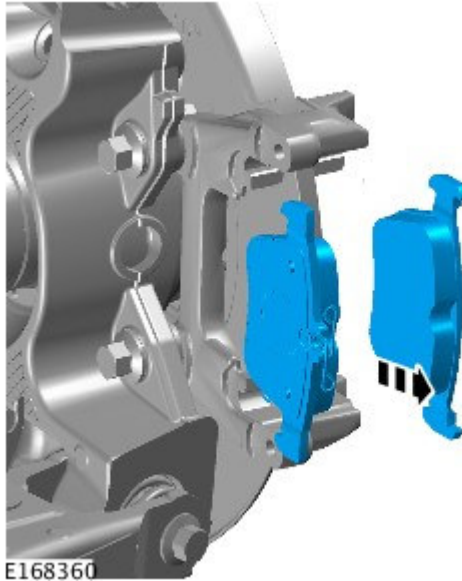
E168667

13. Remove the brake caliper fasteners and tie the caliper assembly aside using a suitable strap.

- **Torque: 28 Nm**



14. Remove and discard the old brake pads.




15.  **CAUTION: Discard the used bolts.**

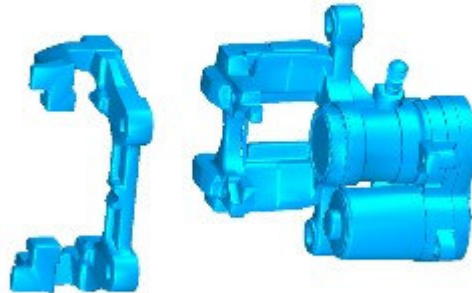
Remove the brake caliper carrier.

- **Torque: 110 Nm**



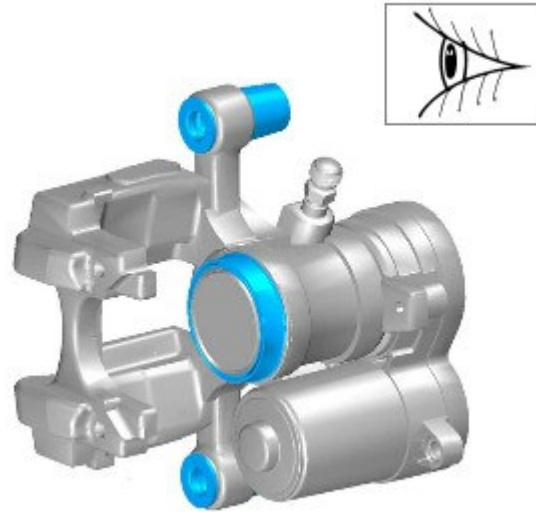
16.  **WARNING: Do not use compressed air to clean brake components. Dust from friction materials can be harmful if inhaled.**

Clean the brake caliper housing and brake caliper carrier using brake cleaning fluid.



E168361

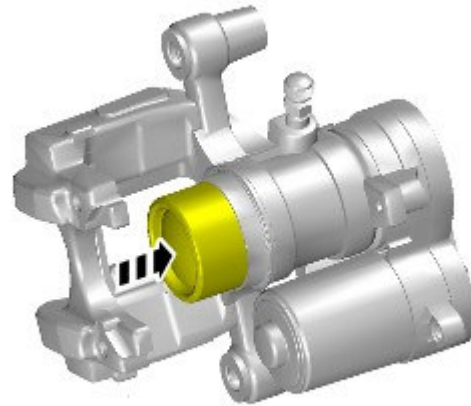
17. Visually inspect the brake caliper piston and slide pin seals for damage.



E168356

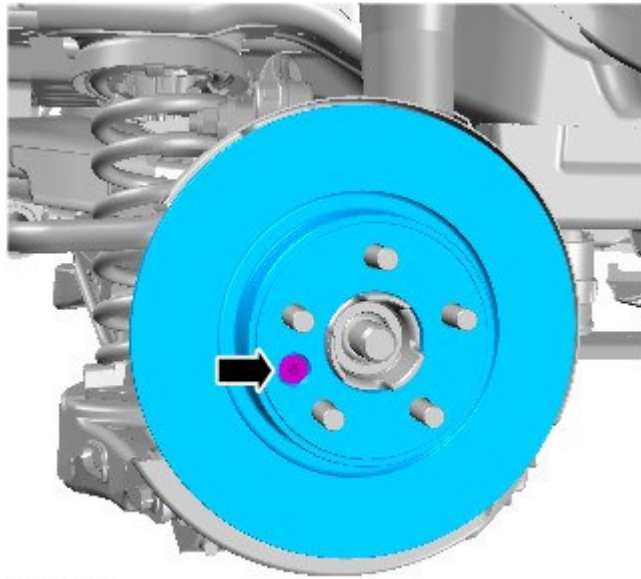
18.  **NOTE: After pushing the piston back into the brake caliper, visually inspect the brake caliper piston seal again for damage.**

Push the piston back into the brake caliper.




E168358

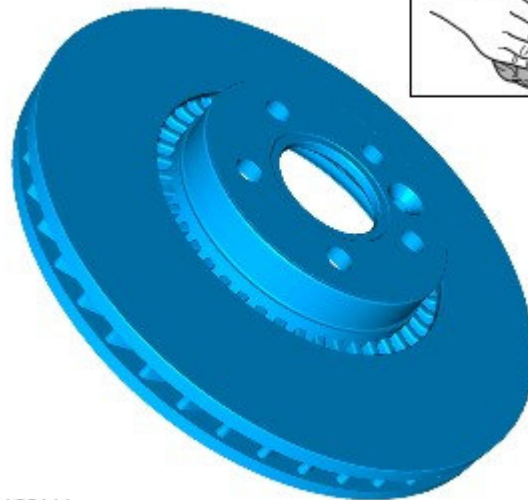
19. Remove the brake disc retaining fastener.
- **Torque: 35 Nm**



E166200

20.  **CAUTION: Make sure that the mating faces are clean and free of foreign material.**

Clean the new brake disc using brake cleaning fluid.



E132111

21. Reverse Steps 11-19 to install a new brake disc and brake pads.
22. Install the rear right-hand wheel and tire (see TOPIx Workshop Manual section 204-04: Wheels and Tires - Wheel and Tire).
23. Repeat Steps 10-22 for the rear left-side.
24. Lower the vehicle.
25. Depress the brake pedal five times.
 1. Check the fluid level in the brake fluid reservoir.
 - Top up as necessary.
26. Connect the Jaguar Land Rover-approved Midtronics battery power supply to the vehicle battery.
27. Switch the ignition ON (engine not running).
28. Connect the Jaguar Land Rover-approved diagnostic tool to the vehicle and begin a new session.

29. Follow the on-screen prompts, allowing the diagnostic tool to read the VIN, identify the vehicle, and initiating the data collect sequence.
30. Select **Service Functions** from the Session Type screen.
31. Select **Run** to perform the '**Parking brake - Parking brake pad replacement - Exit maintenance mode**' option.
32. Follow all on-screen instructions to complete this task.
33. When all tasks are complete, select the **Session** tab and then select the **Close Session** option.
34. Disconnect the diagnostic tool and battery power supply from the vehicle.