

# TECHNICAL BULLETIN

## Q592NAS1

### 13 OCT 2016



© Jaguar Land Rover North America, LLC

NOTE: The information in Technical Bulletins is intended for use by trained, professional Technicians with the knowledge, tools, and equipment required to do the job properly and safely. It informs these Technicians of conditions that may occur on some vehicles, or provides information that could assist in proper vehicle service. The procedures should not be performed by 'do-it-yourselfers'. If you are not a Retailer, do not assume that a condition described affects your vehicle. Contact an authorized Land Rover service facility to determine whether this bulletin applies to a specific vehicle.

### **SECTION: 303-00**

Service Action: Carbon Canister Hose Ozone Cracking

### **AFFECTED VEHICLE RANGE:**

#### **Range Rover Evoque (LV)**

**Model Year:** 2016  
**VIN:** 149777-149851 GTDi 2.0L Petrol, Folding Top  
**Assembly Plant:** Halewood

#### **Range Rover Sport (LW)**

**Model Year:** 2016  
**VIN:** 549484-598529 V6 S/C 3.0L Petrol  
**Assembly Plant:** Solihull

#### **Range Rover Sport (LW)**

**Model Year:** 2016  
**VIN:** 632975-657159 V6 S/C 3.0L Petrol  
**Assembly Plant:** Solihull

#### **Range Rover (LG)**

**Model Year:** 2016  
**VIN:** 241135-297011 V6 S/C 3.0L Petrol  
**Assembly Plant:** Solihull

### **MARKETS:**

NAS

### **CONDITION SUMMARY:**

**Situation:** An issue has been identified on a limited number of vehicles within the listed Affected Vehicle Range where the evaporative emission canister hose may show signs of ozone cracking.

**Action:** Retailers are required to **HOLD** affected new vehicles that are within your control and refrain from releasing the vehicles for **new vehicle sale** pending completion of the Service Instruction detailed in this Technical Bulletin. Unsold vehicles should have this performed as part of the Pre-Delivery Inspection (PDI) process but **must** have it completed prior to vehicle handover to the customer.

Affected vehicles already in the hands of customers should be updated at the next available opportunity.

The parts from the table below should be ordered from Land Rover Parts in the normal manner.

### **PARTS:**



**NOTE: Order only the expected percentage demand of parts identified.**

DESCRIPTION	PART No./SUNDRY CODE	QTY./VALUE	EXPECTED % of VEHICLES REQUIRING PARTS
Hose - Range Rover Evoque (L538)	LR070983	1	100

DESCRIPTION	PART No./SUNDRY CODE	QTY./VALUE	EXPECTED % of VEHICLES REQUIRING PARTS
Hose - Range Rover Sport (L494), Range Rover (L405)	LR089869	1	100

### **SPECIAL TOOLS:**

Refer to Workshop Manual/Service Instruction for any required special tools

### **WARRANTY:**



**NOTE: Check DDW to ensure that a vehicle is affected by this program prior to undertaking any rework action.**

At the time of confirming a booking for vehicle repair, ensure that **all** outstanding Recalls and Service Actions are identified to ensure the correct parts are available and adequate workshop time is allocated for repairs to be completed at one visit.

Warranty claims must be submitted quoting Program Code **Q592** together with the relevant Option Code from the table. SRO and parts information is included for information only. The Option Code(s) that allows for the drive in / drive out allowance can only be claimed if the vehicle is brought back into the workshop for this action alone to be undertaken.

This program is valid for a limited time only. Warranty claims with a repair date prior to the **31 October 2018** closure date must be submitted or payment within 30 calendar days of completion of the repair.

Repair procedures are under constant review and therefore times / prices are subject to change; those quoted here must be taken as guidance only. Refer to TOPIX to obtain the latest repair time.

PROGRAM CODE	OPTION CODE	DESCRIPTION	SRO	TIME (HOURS)	PARTS/SUNDRY CODE	QTY./VALUE
Q592	A	Range Rover Sport (L494), Range Rover (L405) Remove secondary evaporative emissions hose Renew hose	17.15.54	0.10	-	-
			17.15.53	0.50	LR089869	1
Q592	B	Range Rover Sport (L494), Range Rover (L405) Remove secondary evaporative emissions hose Renew hose Drive in/drive out	17.15.54	0.10	-	-
			17.15.53	0.50	LR089869	1
			02.02.02	0.20	-	-
Q592	C	Range Rover Evoque (L538) Remove secondary evaporative emissions hose Renew hose	17.15.54	0.10	-	-
			17.15.53	0.40	LR070983	1
Q592	D	Range Rover Evoque (L538) Remove secondary evaporative emissions hose Renew hose Drive in/drive out	17.15.54	0.10	-	-
			17.15.53	0.40	LR070983	1
			02.02.02	0.20	-	-

Normal Warranty policies and procedures apply.

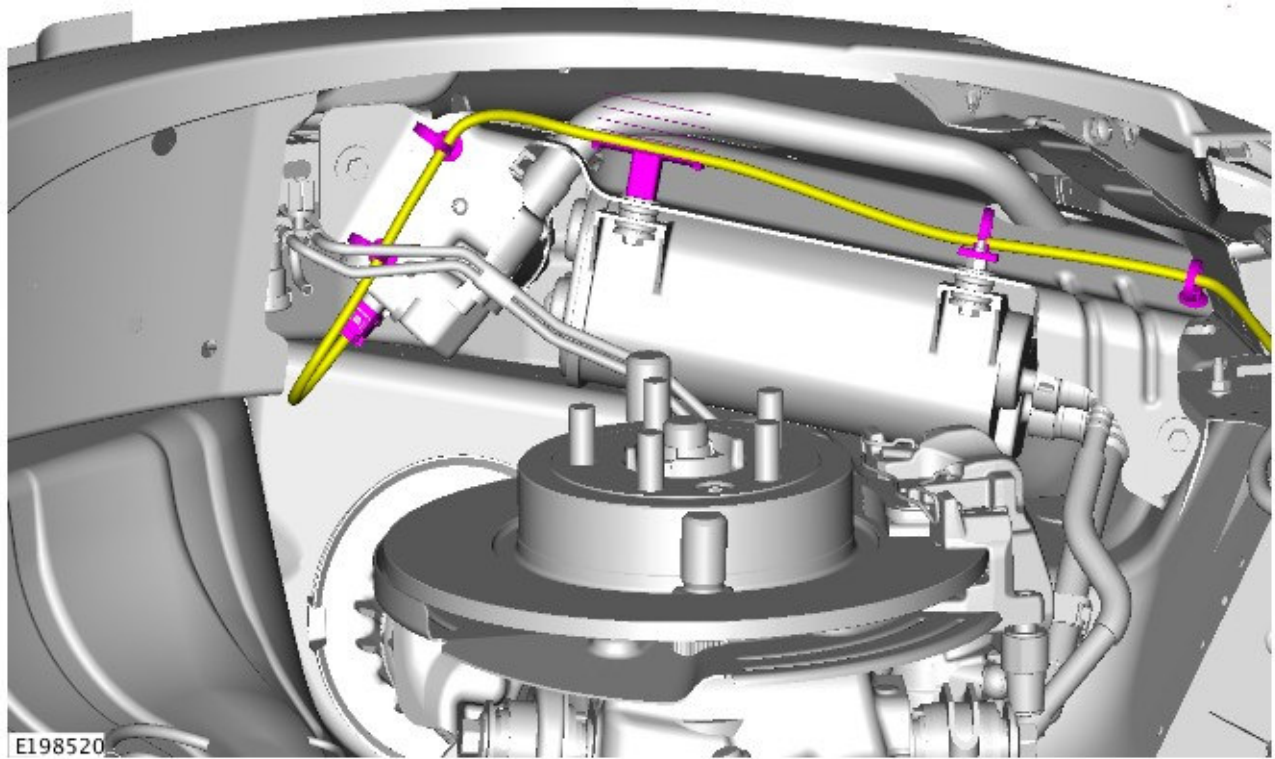
### **SERVICE INSTRUCTION A - Range Rover Evoque (L538) ONLY**



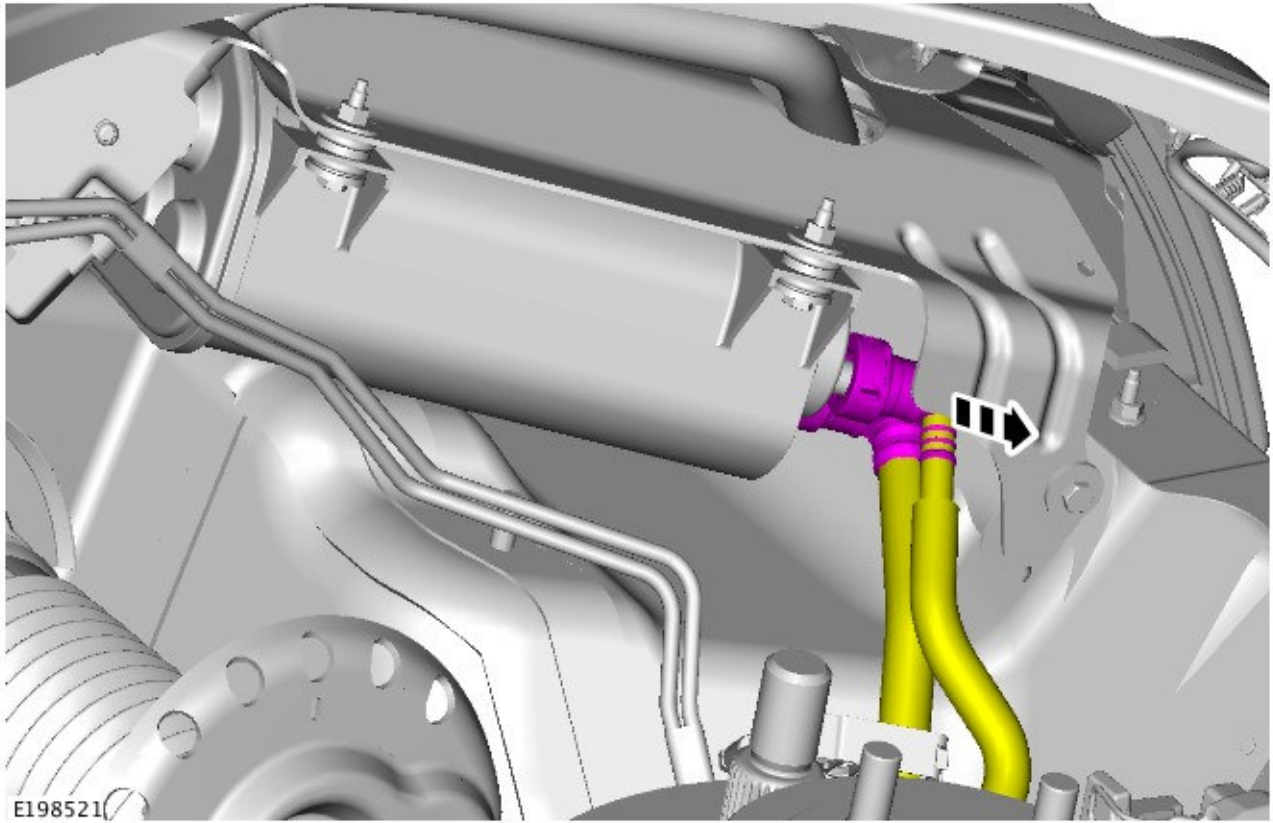
- NOTE: The wheel arch liner may also be referred to as splash shield.**

Remove the rear left wheel arch liner (see TOPIX Workshop Manual section 501-08: Exterior Trim and Ornamentation - Rear Fender Splash Shield).

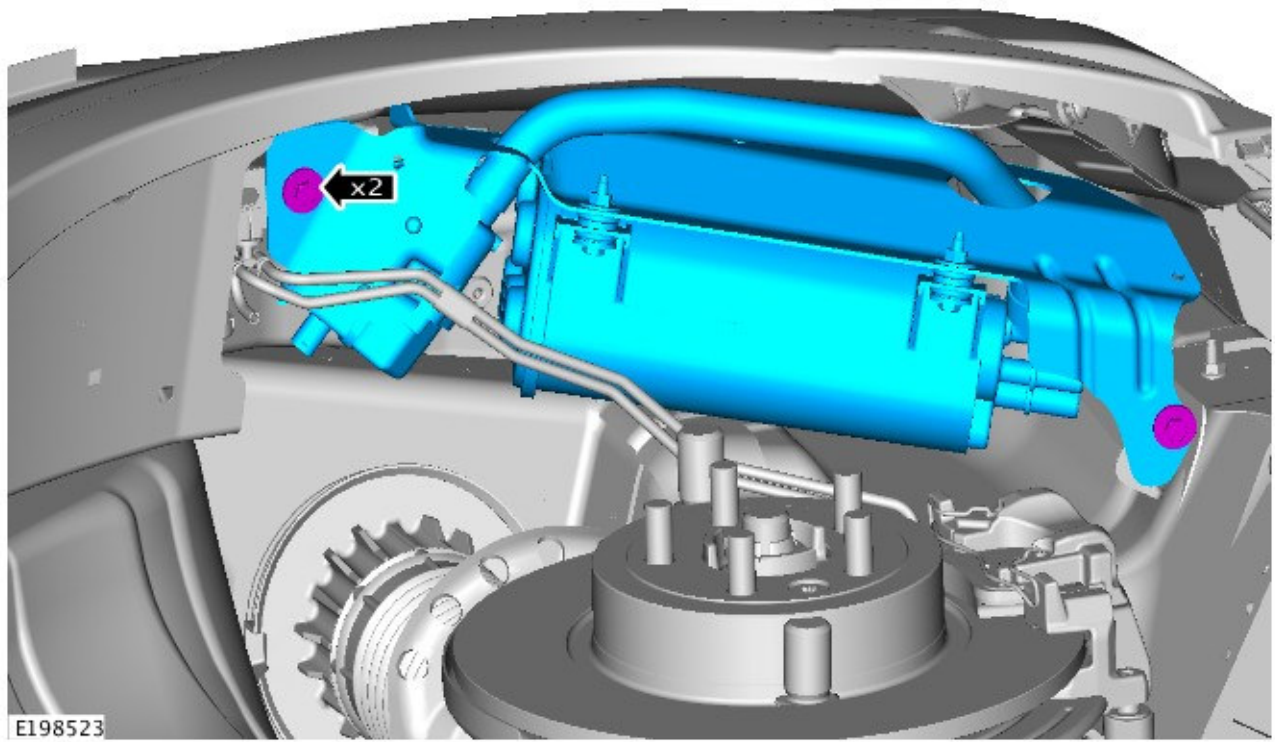
- Disconnect and reposition the wiring harness.



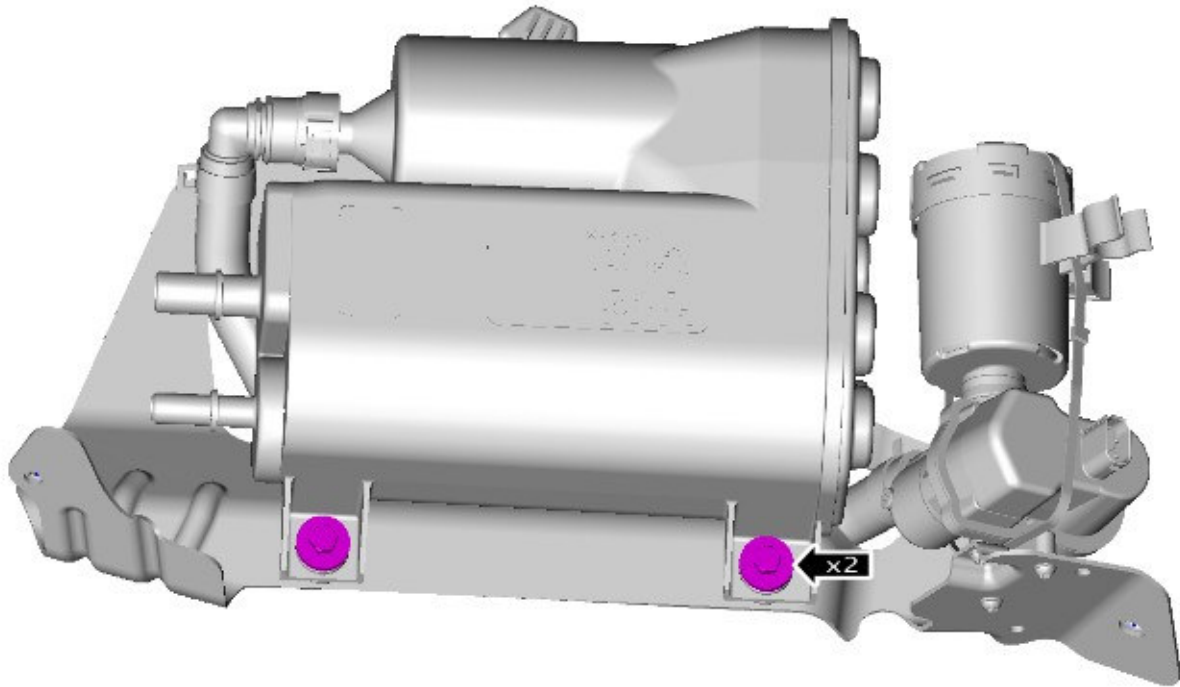
**3.** Disconnect the two hoses.



4. Remove the evaporative emission canister and bracket assembly.



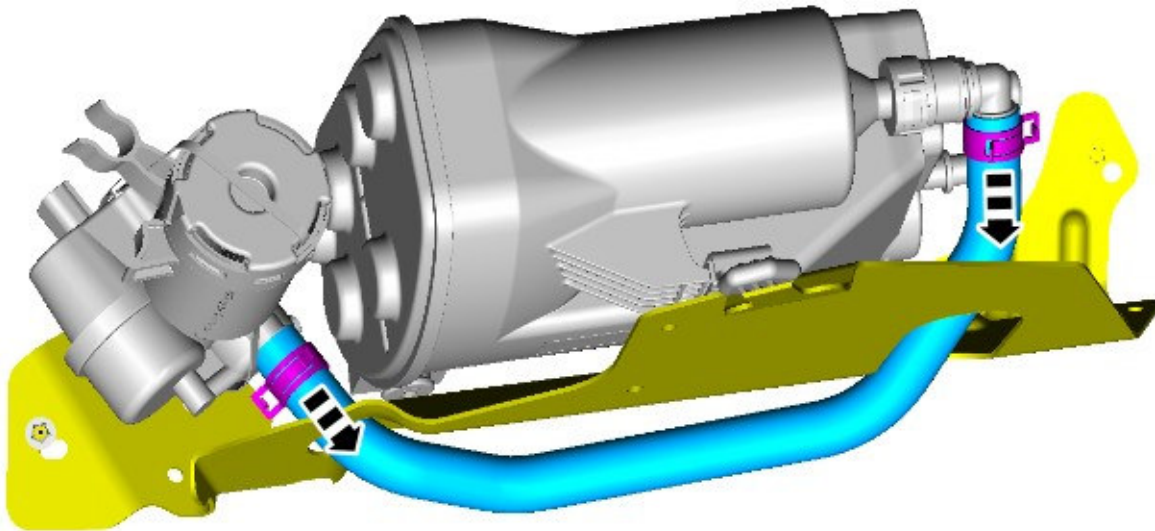
5. Remove the two fasteners from the bracket.



E198524

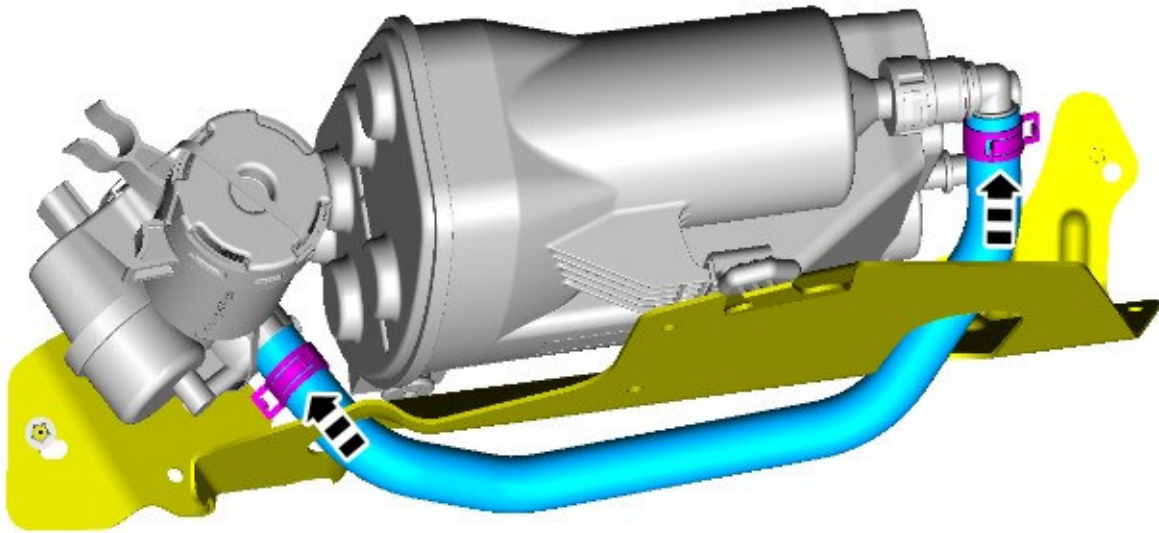
6.  **NOTE: The evaporative emission canister hose fasteners must be reused to install the new evaporative emission canister hose.**

Using a suitable tool, release the hose fasteners and move them towards the center of the hose.



E198525

- 7.** Remove and discard the evaporative emission canister hose.
  - Do not discard the hose fasteners.
- 8.** Install the original evaporative emission canister hose fasteners onto the new evaporative emission canister hose.
- 9.** Install the new evaporative emission canister hose.
  1. Install the evaporative emission canister hose fasteners into their final position.

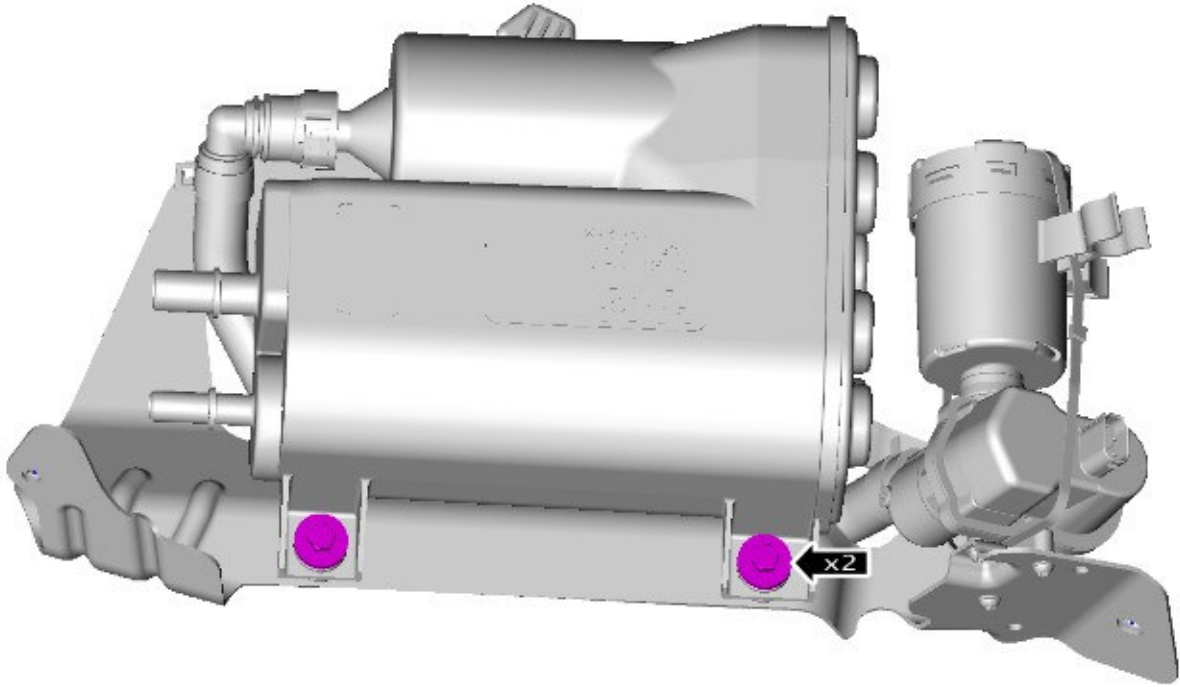


E198526

**10.** Install the two fasteners to secure the bracket.

- Torque: **10 Nm**

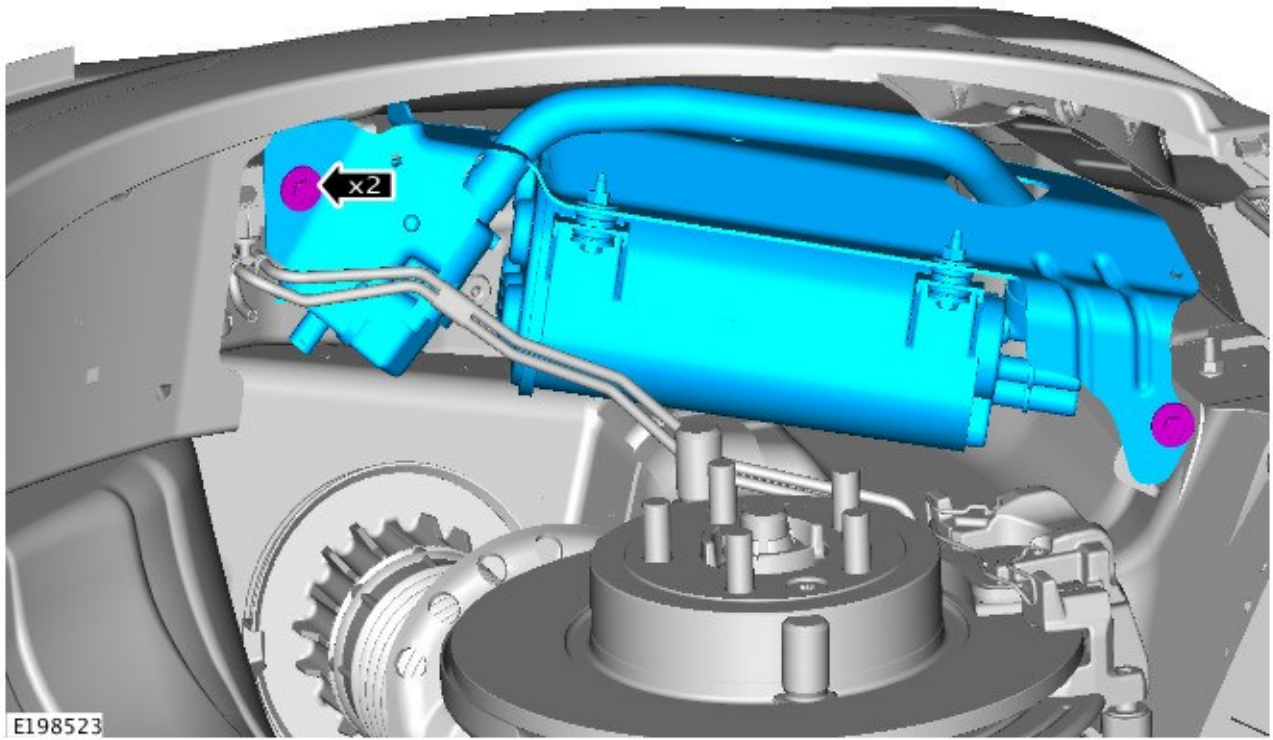




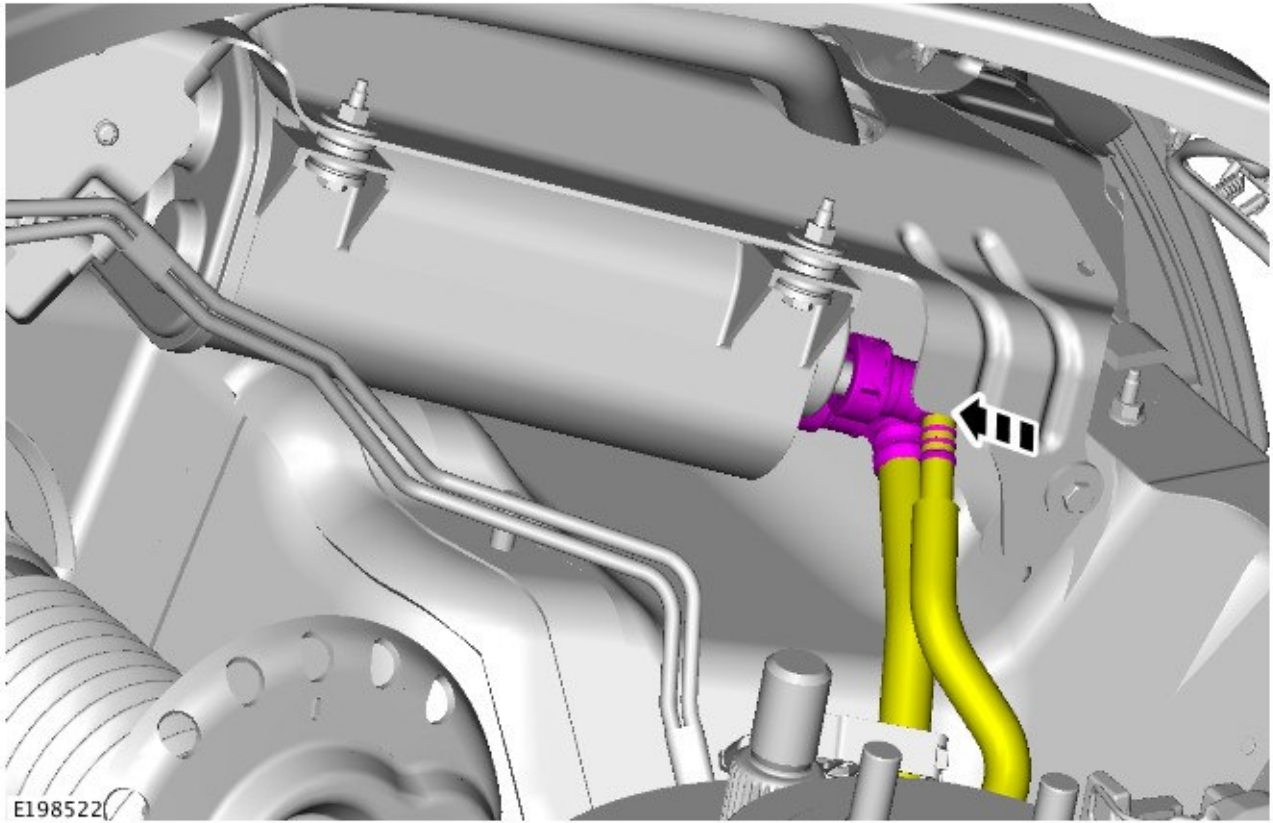
E198524

**11.** Install the evaporative emission canister and bracket assembly.

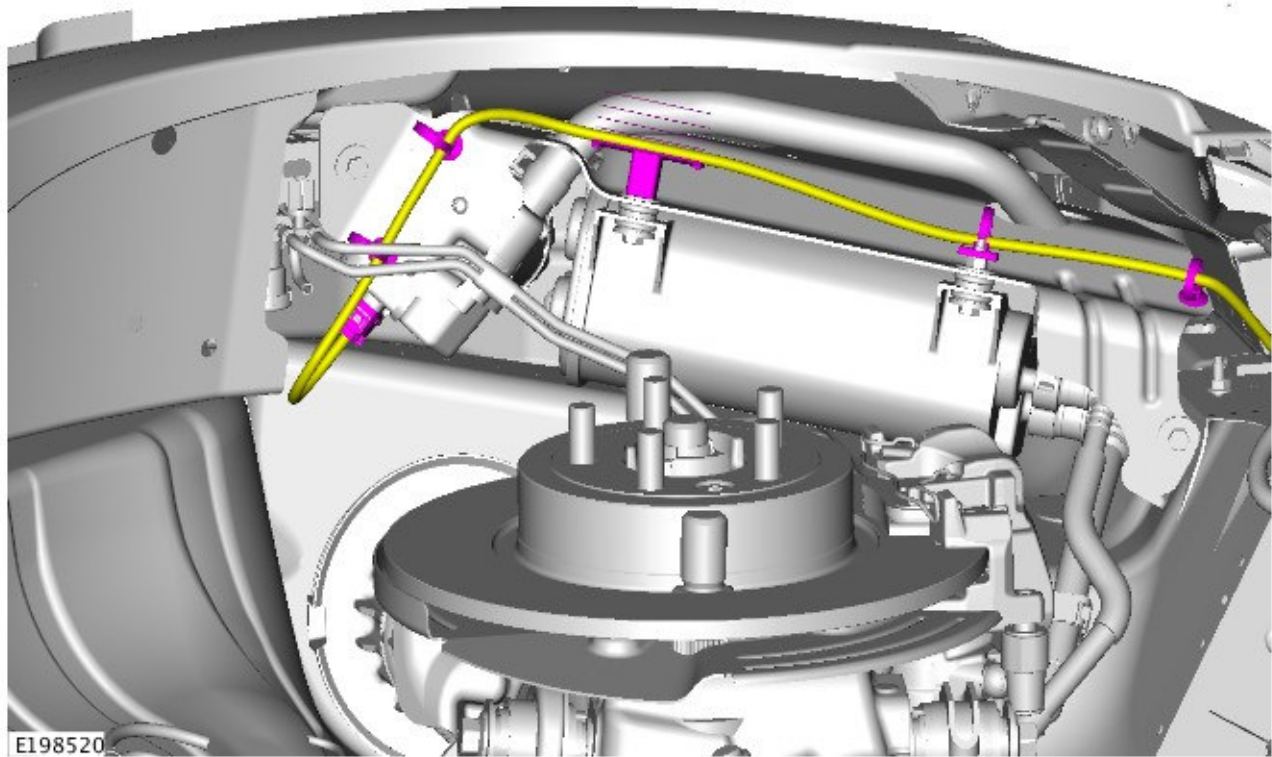
- Torque: **10 Nm**



**12.** Install the two hoses.



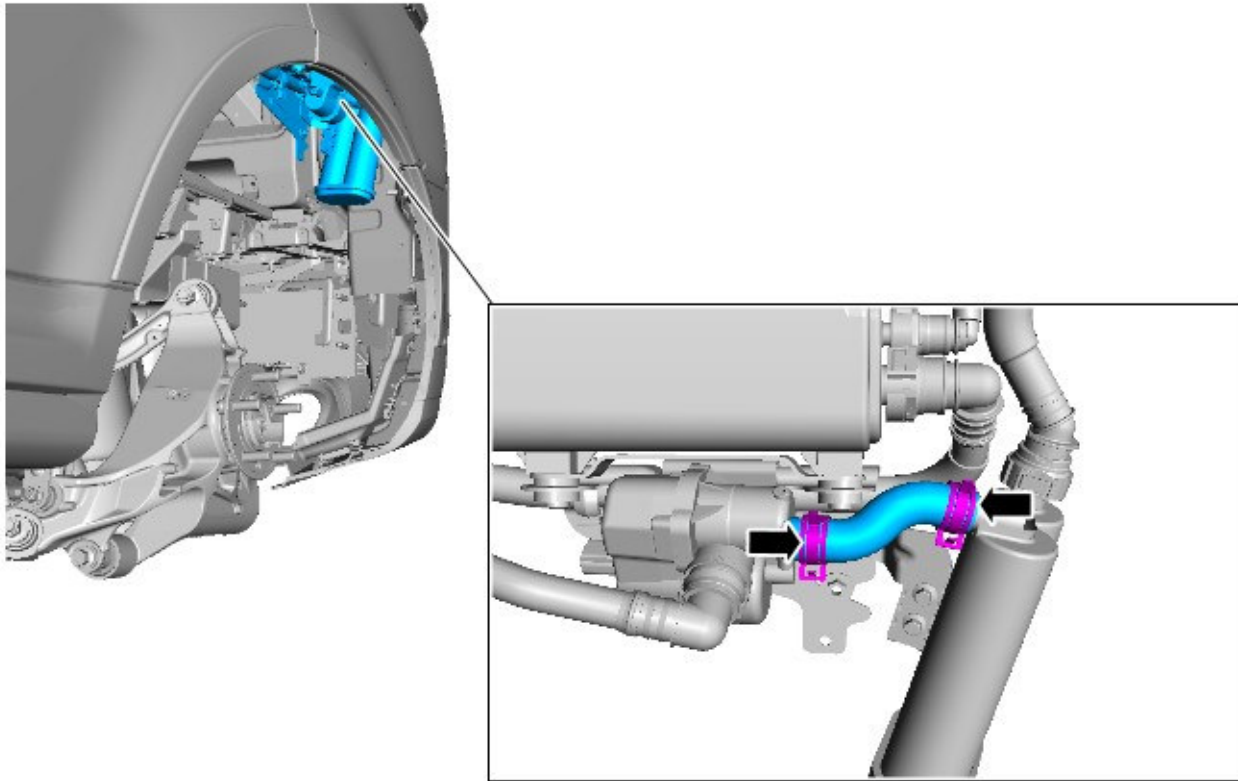
**13.** Install the wiring harness.



14. Install the rear left wheel arch liner (see TOPIx Workshop Manual section 501-08: Exterior Trim and Ornamentation - Rear Fender Splash Shield).

**SERVICE INSTRUCTION B - Range Rover Sport (L494), Range Rover (L405) ONLY**

1. Remove the rear left wheel arch liner (see TOPIx Workshop Manual section 501-08: Exterior Trim and Ornamentation - Rear Wheel Arch Liner Removal and Installation).
2. Release the tension from the evaporative emission canister hose fasteners and move the fasteners towards the centre of the pipe.

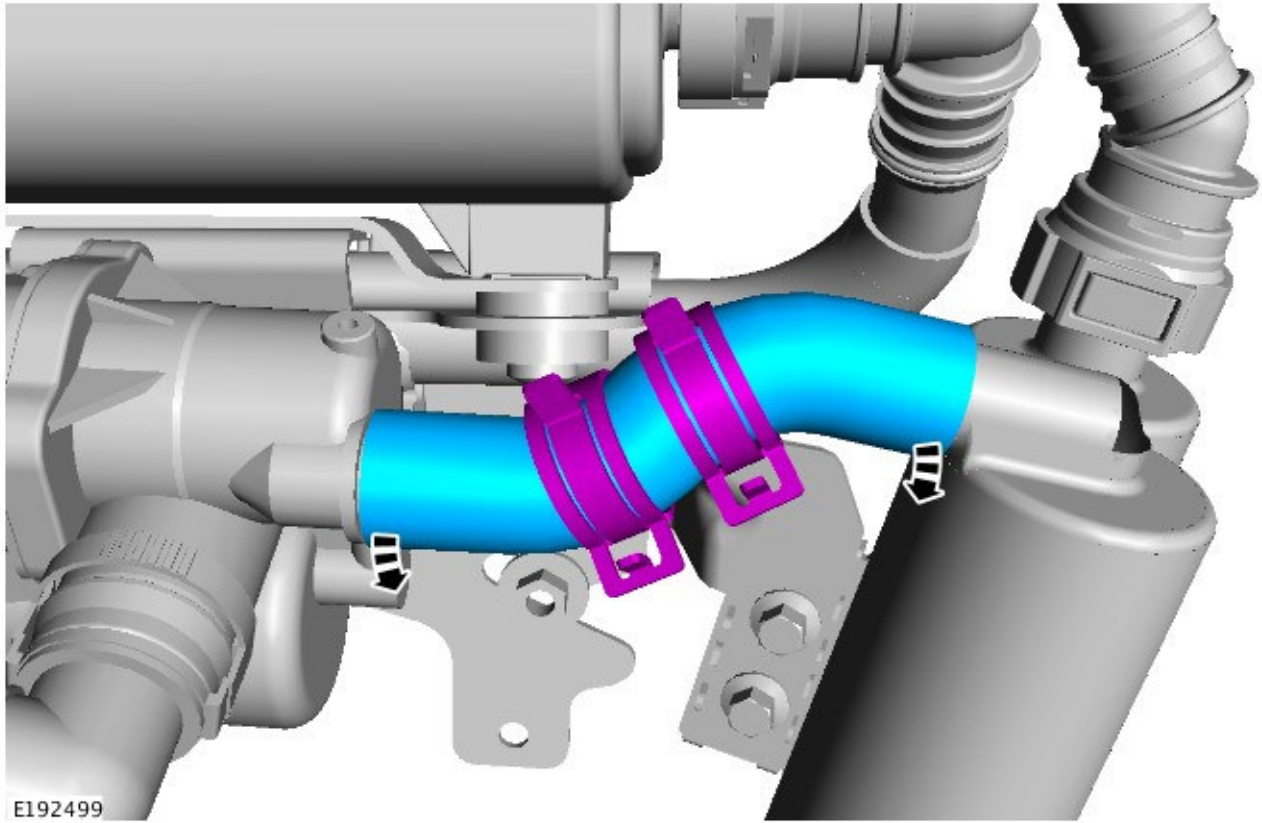


E192498

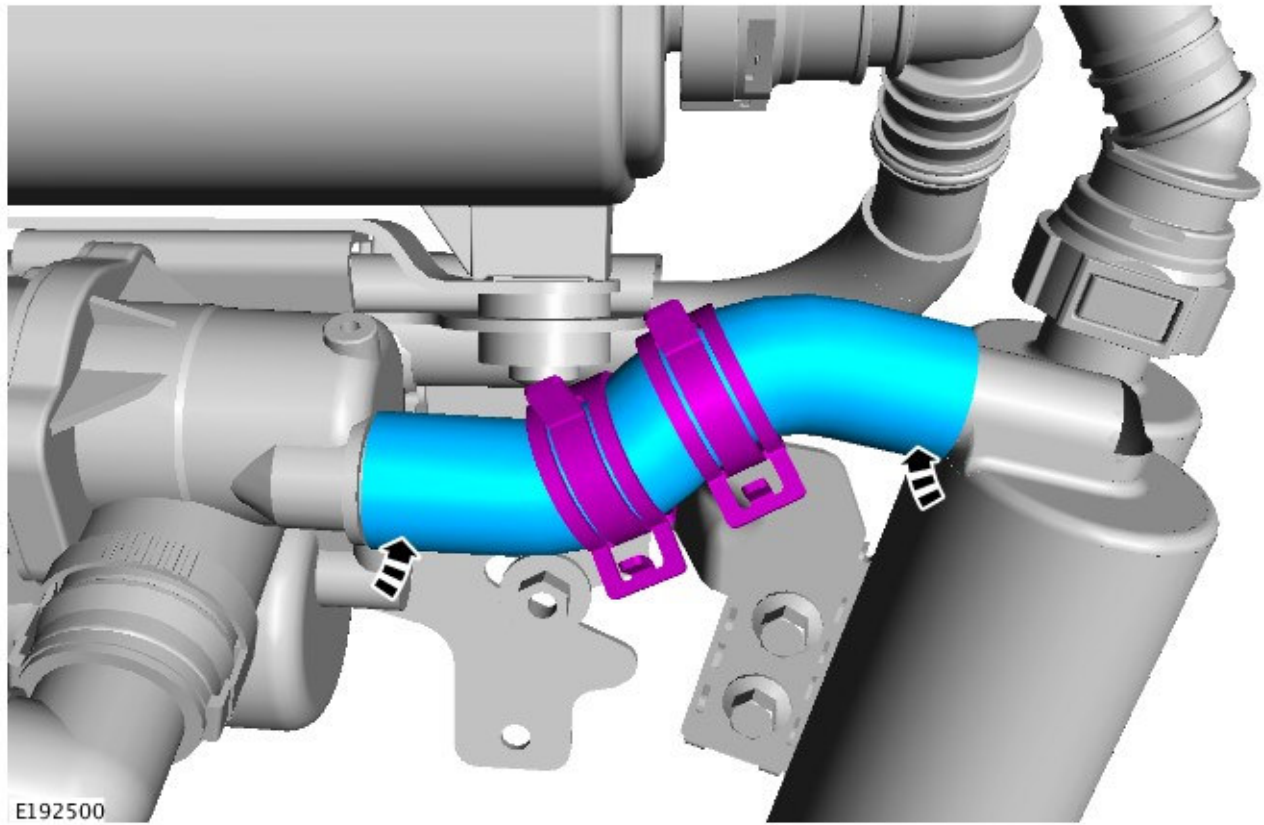
3.  **NOTE: The evaporative emission canister hose fasteners must be reused to install the new evaporative emission canister hose.**

Remove and discard the evaporative emission canister hose.

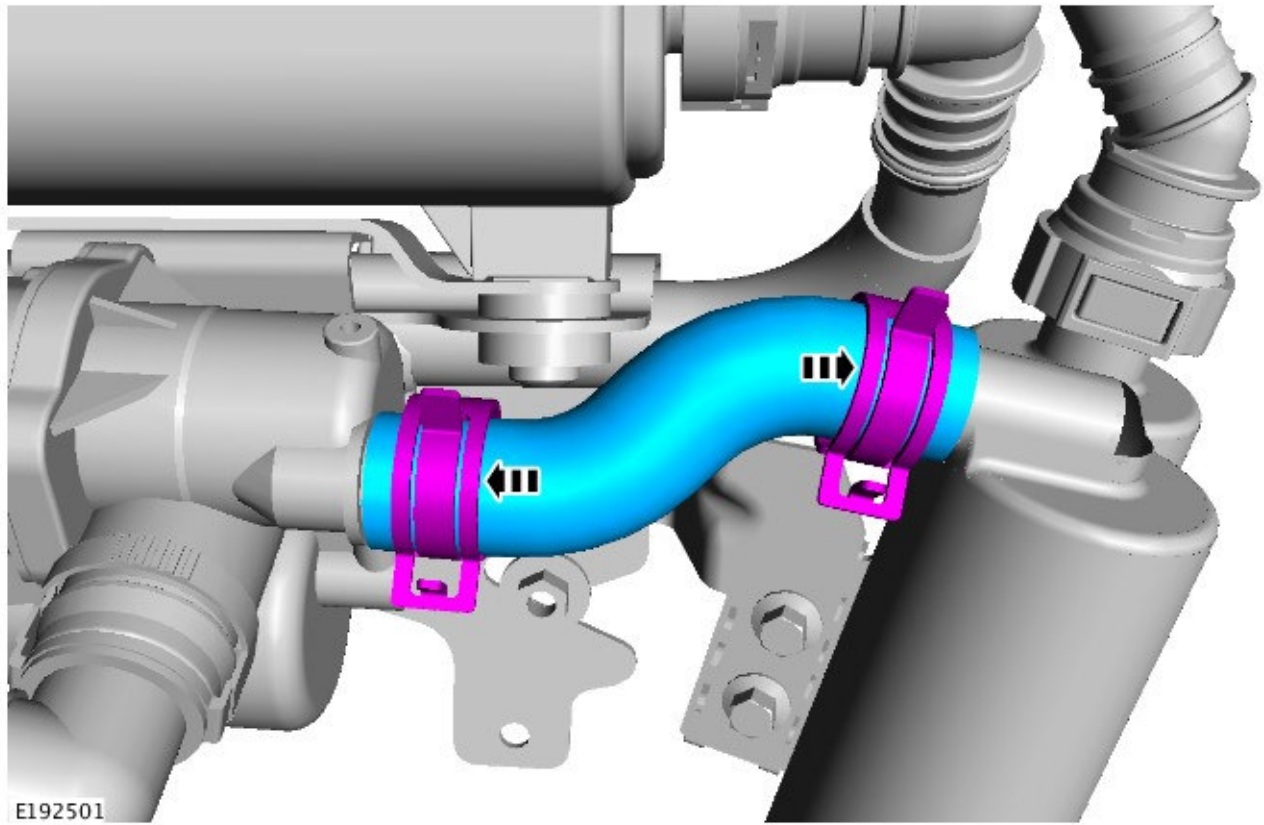
- Do not discard the hose fasteners.



4. Install the original evaporative emission canister hose fasteners onto the new evaporative emission canister hose.
5. Install the new evaporative emission canister hose.



6. Install the evaporative emission canister hose fasteners into their final position.



7. Install the rear left wheel arch liner (see TOPIX Workshop Manual section 501-08: Exterior Trim and Ornammentation - Rear Wheel Arch Liner Removal and Installation).