

TECHNICAL BULLETIN

JTB00482NAS1

03 MAY 2016



© Jaguar Land Rover North America, LLC

NOTE: The information in Technical Bulletins is intended for use by trained, professional Technicians with the knowledge, tools, and equipment required to do the job properly and safely. It informs these Technicians of conditions that may occur on some vehicles, or provides information that could assist in proper vehicle service. The procedures should not be performed by 'do-it-yourselfers'. If you are not a Retailer, do not assume that a condition described affects your vehicle. Contact an authorized Jaguar service facility to determine whether this bulletin applies to a specific vehicle.

SECTION: 501-10

Front Seatback Business / Picnic Tray Latch Broken

AFFECTED VEHICLE RANGE:

XJ Range (X351)

Model Year: 2012-2013
VIN: V25520-V59157
Assembly Plant: Castle Bromwich

MARKETS:

NAS

CONDITION SUMMARY:

Situation: The front seatback business / picnic tray latch may be broken.

Cause: This may be caused by excessive loading of latch due to additional Noise, Vibration & Harshness (NVH) material located behind tray carrier cover.

Action: In the event of a customer concern of the above, follow the Service Instruction outlined below.

PARTS:

C2D16173CJB	Tray Latch - Bordeaux	Quantity: 2
C2D51716CJB	Seat Panel - Bordeaux	Quantity: 2
C2D13489APH	Tray Latch - Cashew	Quantity: 2
C2D51725APH	Seat Panel - Cashew	Quantity: 2
C2D13489LHJ	Tray Latch - Dove	Quantity: 2
C2D51725LHJ	Seat Panel - Dove	Quantity: 2
C2D13489PVJ	Tray Latch - Ebony	Quantity: 2
C2D51725PVJ	Seat Panel - Ebony	Quantity: 2
C2D13489NUG	Tray Latch - Ivory	Quantity: 2
C2D51725NUG	Seat Panel - Ivory	Quantity: 2
C2D16173APJ	Tray Latch - London Tan	Quantity: 2
C2D51725APJ	Seat Panel - London Tan	Quantity: 2
C2D13489JMN	Tray Latch - Navy	Quantity: 2
C2D51725JMN	Seat Panel - Navy	Quantity: 2
C2D16173VAE	Tray Latch - Parchment	Quantity: 2
C2D51716VAE	Seat Panel - Parchment	Quantity: 2

WARRANTY:



NOTE: Repair procedures are under constant review, and therefore times are subject to change; those quoted here must be taken as guidance only. Always refer to TOPIx to obtain the latest repair time.

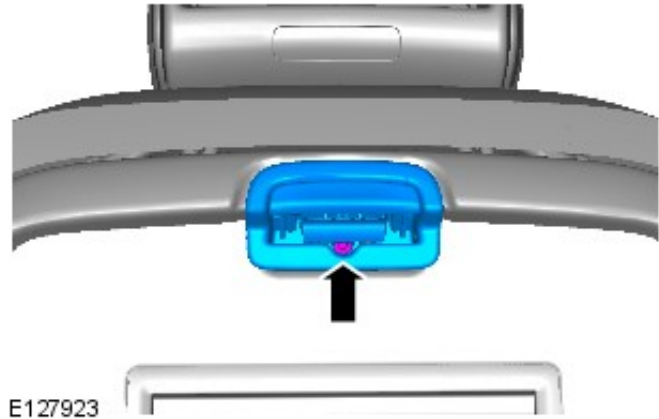
NOTE: DDW requires the use of causal part numbers. Labor only claims must show the causal part number with a quantity of zero.

DESCRIPTION	SRO	TIME (HOURS)	CONDITION CODE	CAUSAL PART
Front seat - Picnic tray - Seat Panel - Renew	76.71.61	0.2	01	C2D16173

NOTE: Normal Warranty procedures apply.

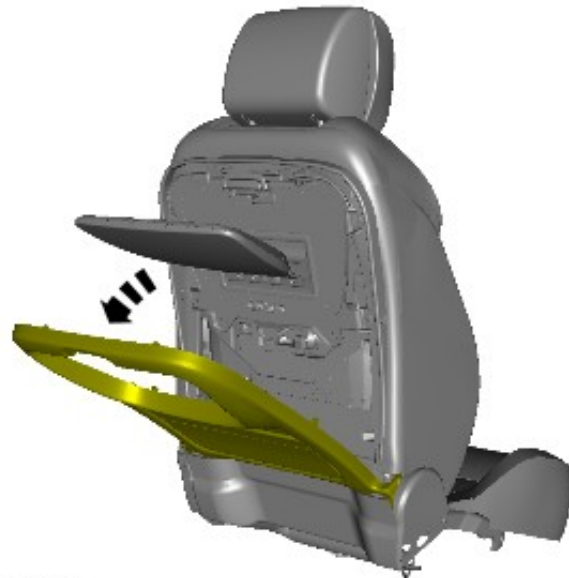
SERVICE INSTRUCTION:

1. Remove and discard the latch and spacer.



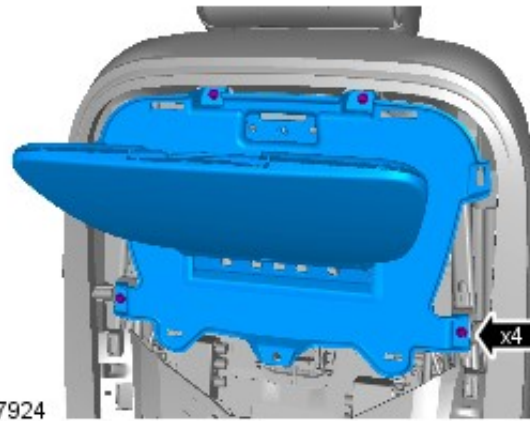
2. **NOTE: use care when pulling back the surround panel as not to cause damage.**

Pull the tray surround panel backwards to gain access to the tray assembly.

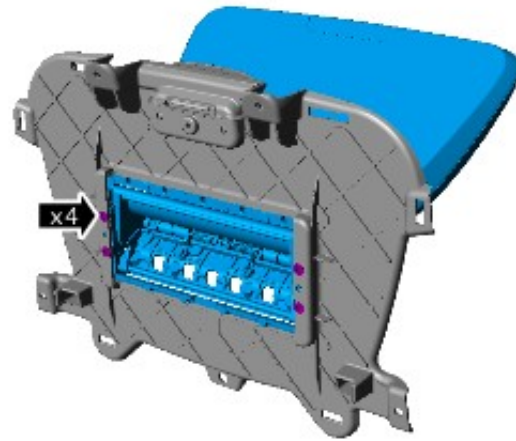


3. **NOTE: place tray onto a soft and clean surface to avoid damage to the tray surface.**

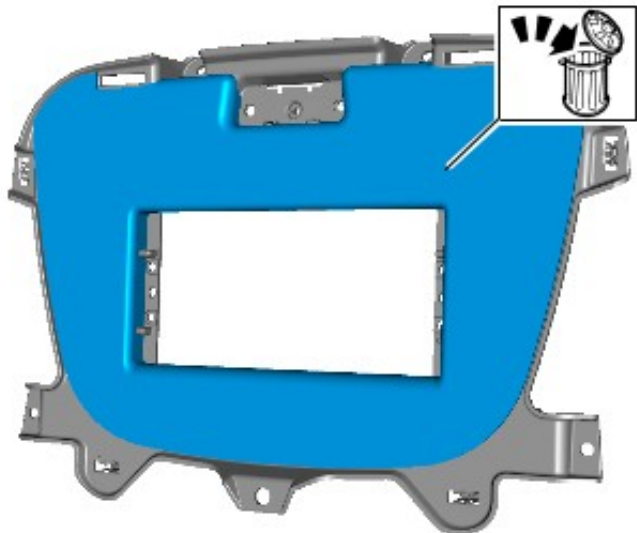
Remove tray assembly.



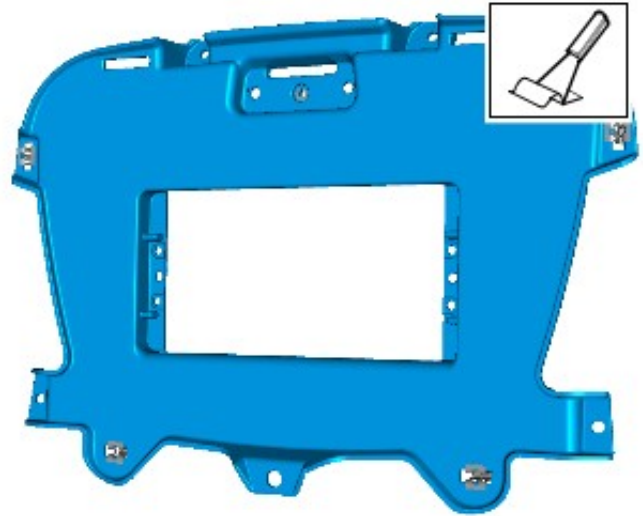
- 4. Remove the four screws and remove the tray from the tray carrier.



- 5. Remove and discard the Seat Panel from the tray carrier.




- 6. Clean the tray carrier surface with a suitable tool to remove any foam.

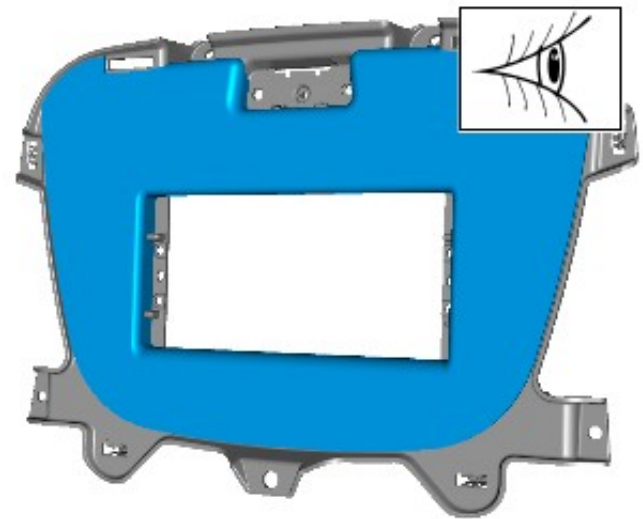


E188628

7. Remove the double-sided tape film from the Seat Panel.

8.  **NOTE: ensure the correct fitment of the Seat Panel by aligning the bottom of the pad with the curve of the tray carrier; visually check that there is sufficient material to overlap the latch and tray location.**

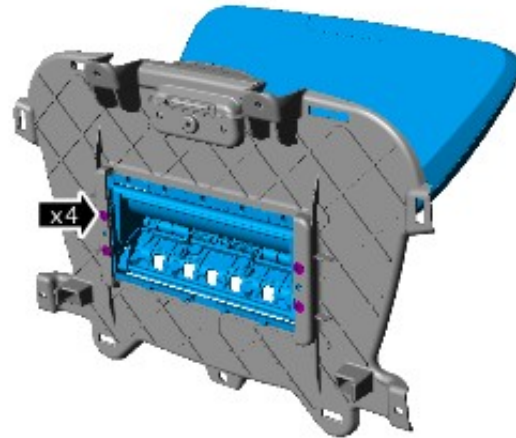
Install the Seat Panel to the tray carrier.



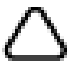
E188629


9. Install the tray to the tray carrier.

- Torque: 1.8Nm

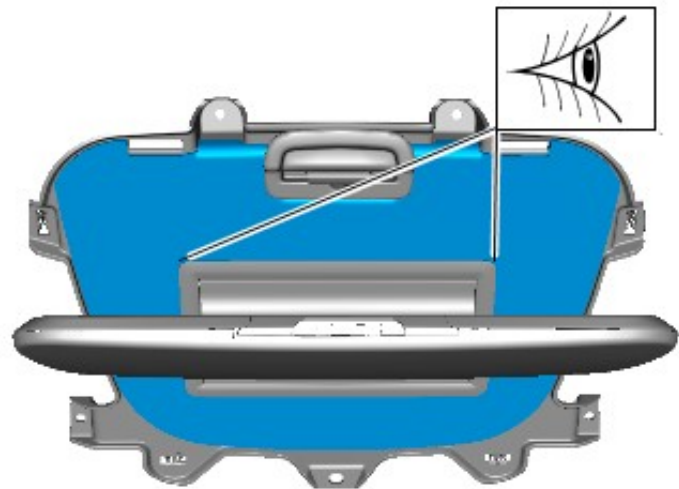


E189176

10.  **NOTE: do not misalignment or over tighten the tray assembly; failure to follow this instruction may cause the Seat Panel to become creased / damaged.**

 **NOTE: visually check the corners of the tray when fitted to make sure that the Seat Panel isn't creased or incorrectly fitted. If creased, the Seat Panel will require steaming / finessing to remove the creases.**

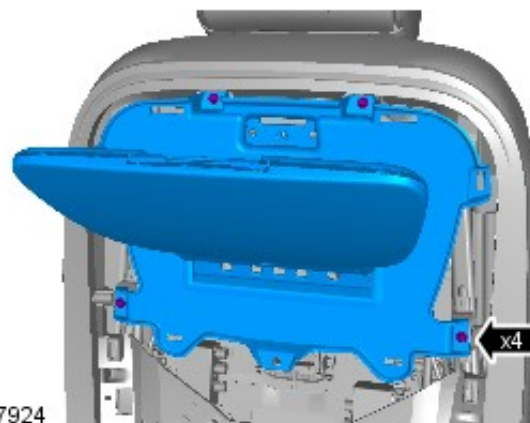
Make a visual check of the assembly to ensure that the Seat Panel is installed correctly.



E188688

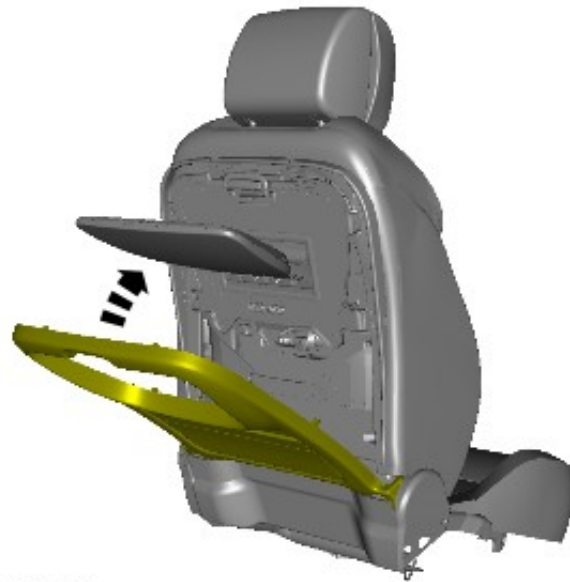
11. Install the tray assembly.

- Torque: 7Nm



E127924

12. Install the tray surround panel.

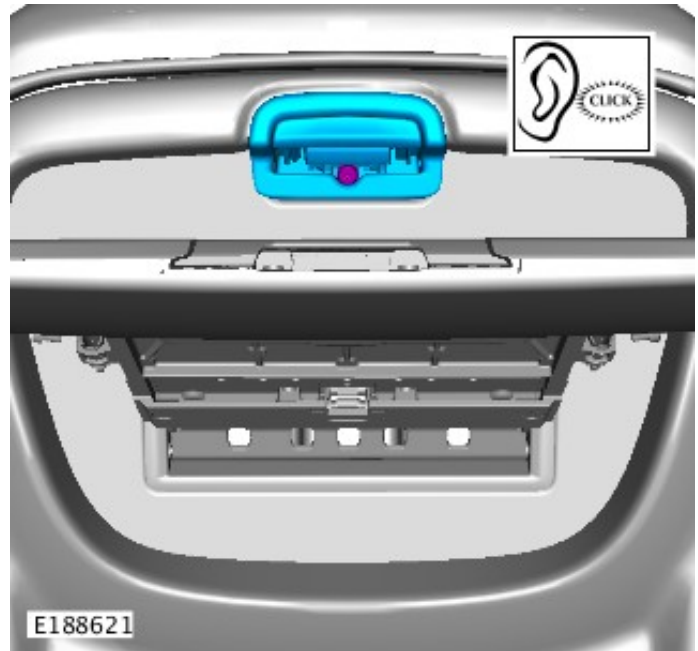


E188620

13.  **NOTE: listen for an 'click' when installing latch.**

Install the latch.

- Torque: 1.8Nm



E188621