

TECHNICAL BULLETIN
JTB00507NAS1
15 JUL 2016



© Jaguar Land Rover North America, LLC

NOTE: The information in Technical Bulletins is intended for use by trained, professional Technicians with the knowledge, tools, and equipment required to do the job properly and safely. It informs these Technicians of conditions that may occur on some vehicles, or provides information that could assist in proper vehicle service. The procedures should not be performed by 'do-it-yourselfers'. If you are not a Retailer, do not assume that a condition described affects your vehicle. Contact an authorized Jaguar service facility to determine whether this bulletin applies to a specific vehicle.

SECTION: 417-01

Hood May Contact Headlamp(s)

AFFECTED VEHICLE RANGE:

XF (X250)

Model Year: 2012-2015
VIN: S20753-U88785
Assembly Plant: Castle Bromwich

MARKETS:

NAS

CONDITION SUMMARY:

Situation: The hood may contact the headlamp(s) and may have cracked and/or damaged the headlamp(s).

Cause: This may be caused by incorrect front end panel alignment.

Action: Should a customer express this concern, follow the Service Instruction below.

PARTS:



NOTE: Only if required: refer to JEPIC for correct headlamp part number.

No Parts Required

TOOLS:

Refer to Workshop Manual for any required special tools.

WARRANTY:



NOTE: Repair procedures are under constant review, and therefore times are subject to change; those quoted here must be taken as guidance only. Always refer to TOPIX to obtain the latest repair time.



NOTE: DDW requires the use of causal part numbers. Labor only claims must show the causal part number with a quantity of zero.

DESCRIPTION	SRO	TIME (HOURS)	CONDITION CODE	CAUSAL PART
Hood alignment - Check and adjust	76.16.02	0.3	07	C2Z12921
Headlamp position - Check and adjust	86.41.70	0.1	0.7	C2Z12921
Headlamp assembly - Right-side - Renew	86.41.36	0.3	07	C2Z12921
Headlamp assembly - Left-side - Renew	86.41.33	0.3	07	C2Z12921
Headlamp tab - Modify	86.41.69	0.1	07	C2Z12921
Headlamp assembly - Vehicle set - Align beams	86.40.18	0.2	07	C2Z12921



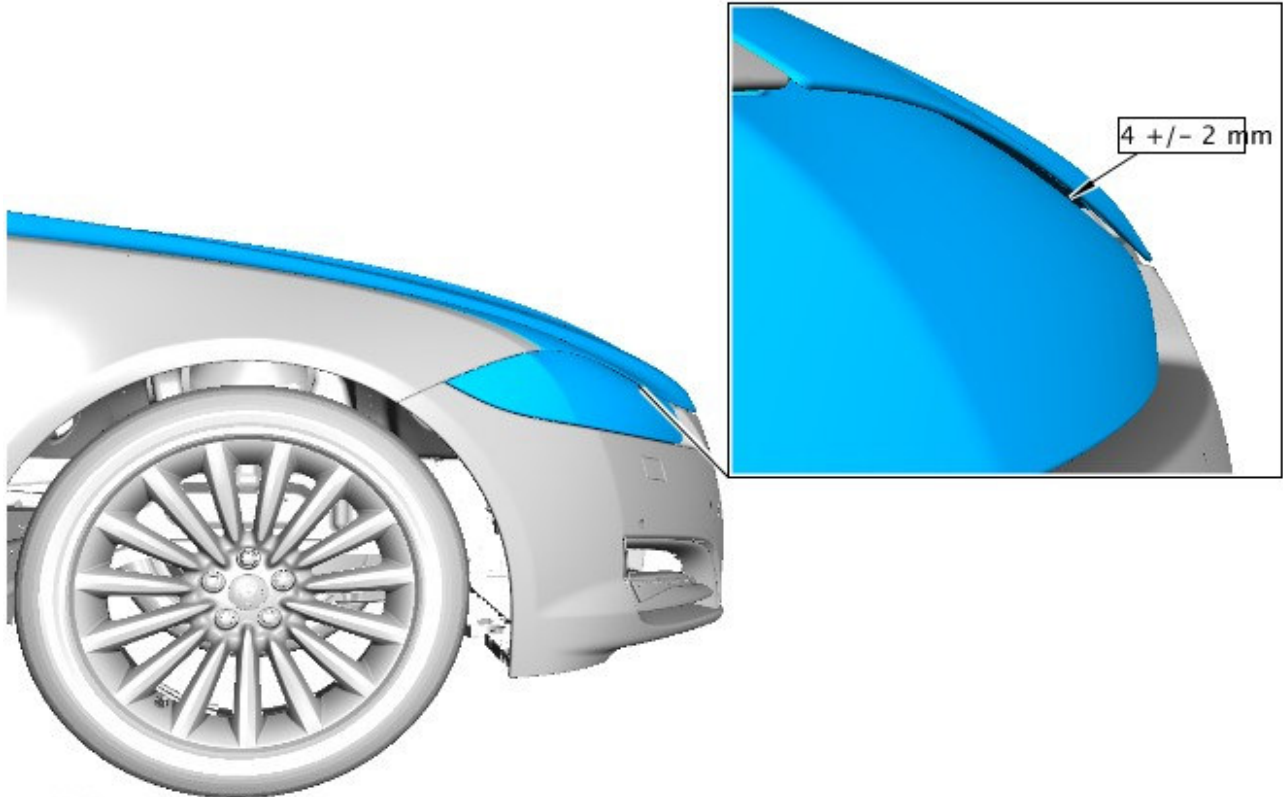
NOTE: Normal Warranty procedures apply.

SERVICE INSTRUCTION:

1.  **NOTE: Gap specification: $4 \pm 2\text{mm}$.**

Using a suitable tool, measure the headlamp-to-hood gap.

- If the headlamp-to-hood gaps are not within specification ($4 \pm 2\text{mm}$), continue to Step 2
- If the headlamp-to-hood gaps are within specification ($4 \pm 2\text{mm}$), this is not the cause of the customer concern. Do not continue with this Technical Bulletin.



E193784

2. Check the alignment of the hood (see TOPIx Workshop Manual section 501-26: Body Repairs - Vehicle Specific Information and Tolerance Checks - Body and Frame Description and Operation - Gap and Profile Measurements).
- If the hood alignment is not within specification, continue to Step 3.
 - If the hood alignment is within specification, continue to Step 4.
3. Adjust the hood alignment (see TOPIx Workshop Manual section 501-02: Body and Paint - Front End Body Panels - Hood).

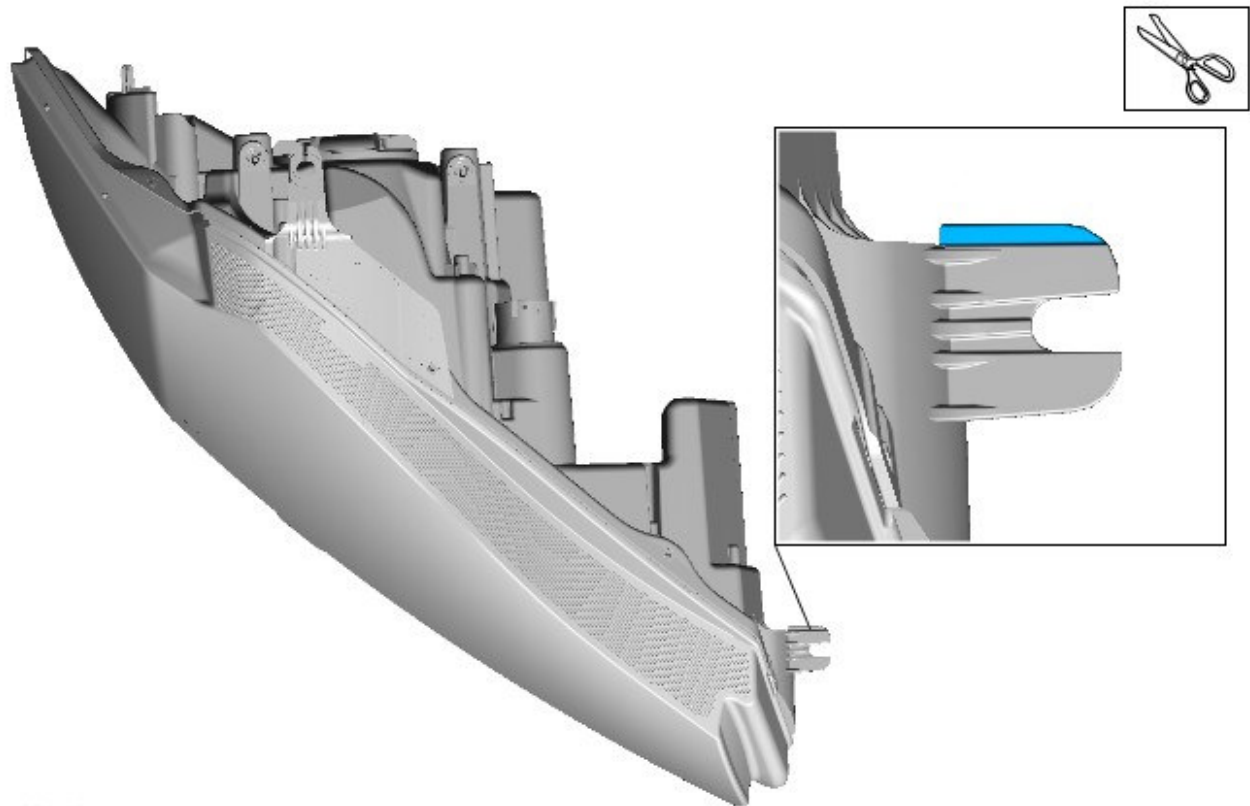
 **NOTE: Steps 4 - 9: only if necessary.**

4. Remove and discard the damaged headlamp(s).

1. To be performed as a separate claim.

5.  **NOTE: Right hand-lamp shown; left-hand lamp similar.**

Trim the tab off the new headlamp(s) before installation as shown.



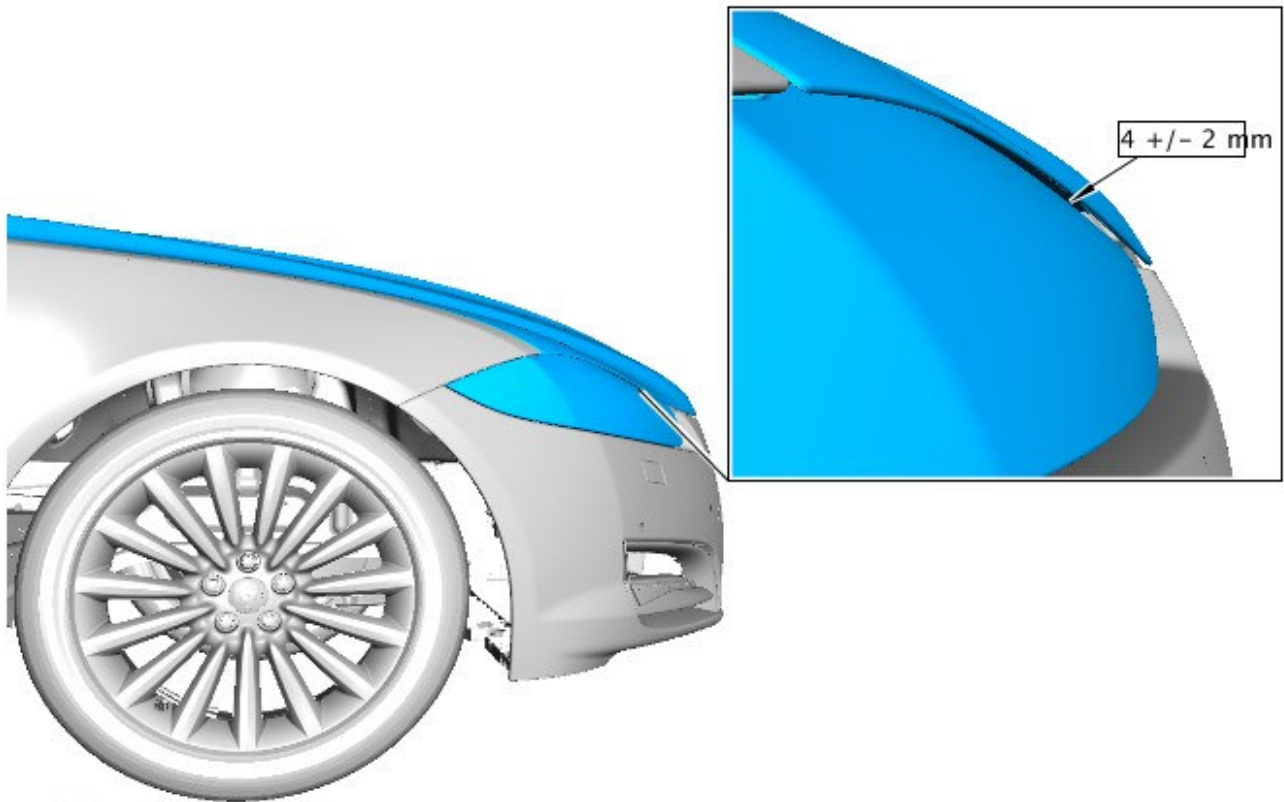
E193519

6. Install the new headlamp(s) (see TOPIx Workshop Manual section 417-01: Exterior Lighting - Headlamp Assembly).

7.  **NOTE: Gap specification: $4 \pm 2\text{mm}$.**

Using a suitable tool, measure the headlamp-to-hood gap.

- If the headlamp-to-hood gaps are not within specification ($4 \pm 2\text{mm}$), continue to Step 8.
- If the headlamp-to-hood gaps are within specification ($4 \pm 2\text{mm}$), continue to Step 10.

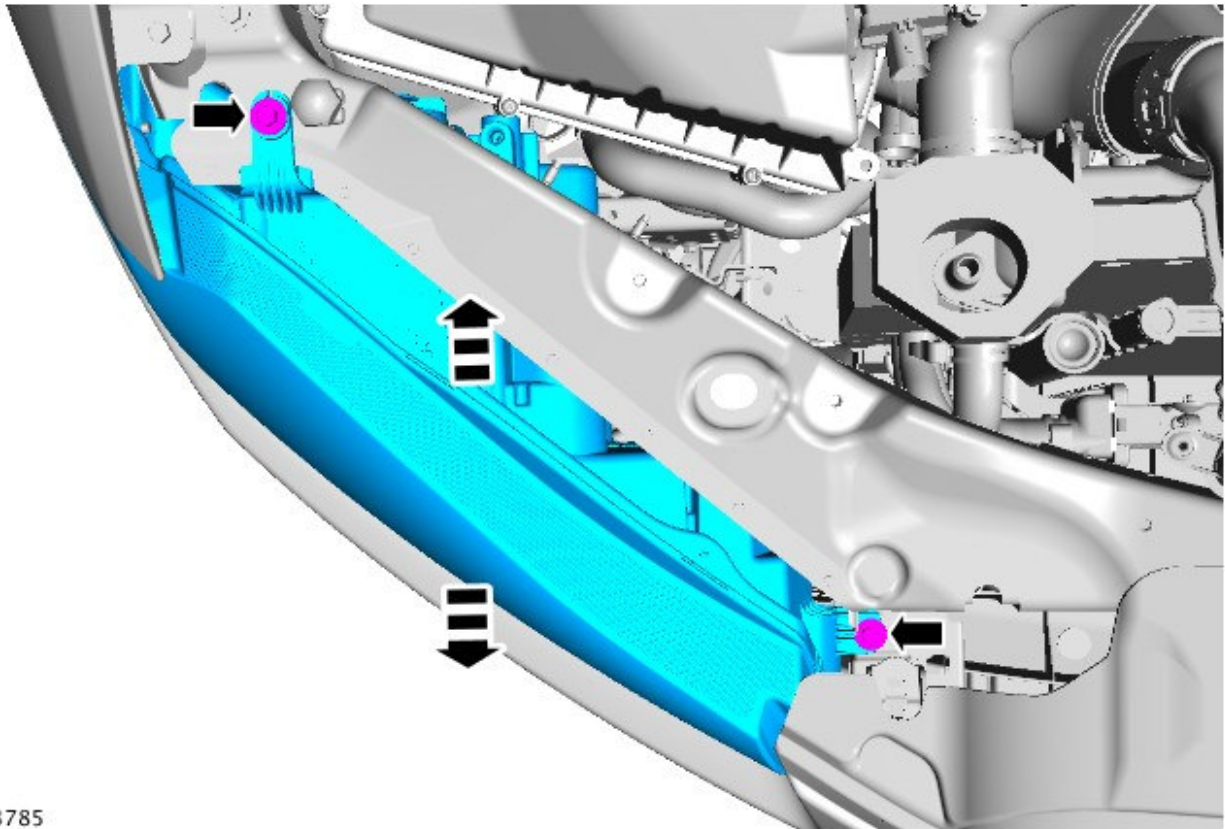


E193784

8. Adjust the position of the headlamp as required to achieve the specifications.

1. Loosen the headlamp fasteners.
2. Tighten the headlamp fasteners.

- Torque: **4.1Nm**



E193785

- 9.** Set the headlamp beam alignment (see TOPIX Workshop Manual section 417-01: Exterior Lighting - Headlamp Adjustment).
- 10.** Check and adjust the height of the hood bump stops to ensure they are making contact with the hood when closed.