

Front License Plate & Mounting Bracket Installation

Service Category General

Section Pre-Delivery Service

Market USA

Lexus Supports
ASE Certification 

Applicability

YEAR(S)	MODEL(S)	ADDITIONAL INFORMATION
2016	GS F, GS200T, GS350, GS450H	

Introduction

The front license plate mounting bracket and self-tapping screws for the 2016 model year are stored in the luggage compartment of the vehicle. Install the license plate and mounting bracket during Pre-Delivery Service (PDS).

NOTE

The mounting bracket and dimple location are different for each model. Follow the correct model procedure to complete front license plate and mounting bracket installation.

Warranty Information

OP CODE	DESCRIPTION	TIME	OFF	T1	T2
N/A	Not Applicable to Warranty	–	–	–	–

Front License Plate & Mounting Bracket Installation

Installation Procedure for GS200t, GS350, and GS450h (except F SPORT)

NOTE

For F SPORT and GS-F packages, see additional instructions.

1. Locate front license plate mounting bracket over radiator grille.
2. Aligning the holes "A" of the mounting bracket with the dimples on the front bumper cover.

NOTICE:

Do NOT drill into the dimples on the front bumper cover.

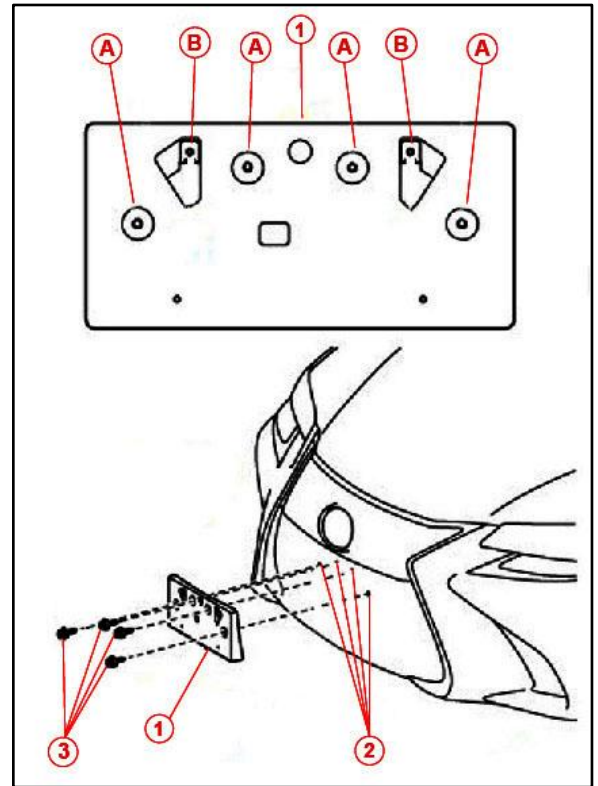
NOTE

- Holes "A" are used for installation of the mounting bracket to the bumper cover.
 - Holes "B" are used for installation of the front license plate to the mounting bracket.
3. Install the mounting bracket to the front bumper cover using 4 self-tapping screws.

NOTICE:

Do NOT over-tighten the self-tapping screws.

Figure 1.



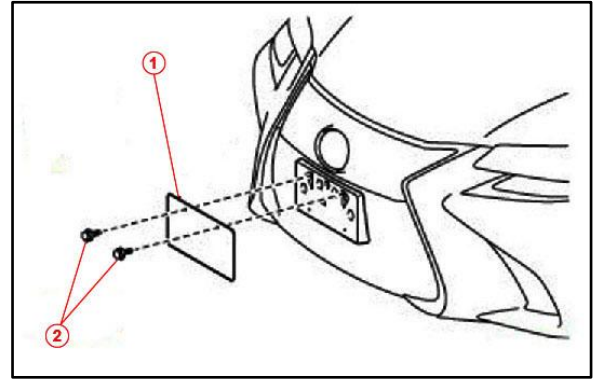
1	Mounting Bracket
2	Dimples
3	Self-tapping screws

Front License Plate & Mounting Bracket Installation

Installation Procedure for GS200t, GS350, and GS450h (except F SPORT) (Continued)

4. Install the front license plate to the mounting bracket using the 2 bolts.

Figure 2.



1	Front License Plate
2	Bolts

Installation Procedure for GS F

1. Locate front license plate mounting bracket over radiator grille.
2. Aligning the holes "A" of the mounting bracket with the dimples on the front bumper cover.

NOTICE:

Do NOT drill into the dimples on the front bumper cover.

NOTE

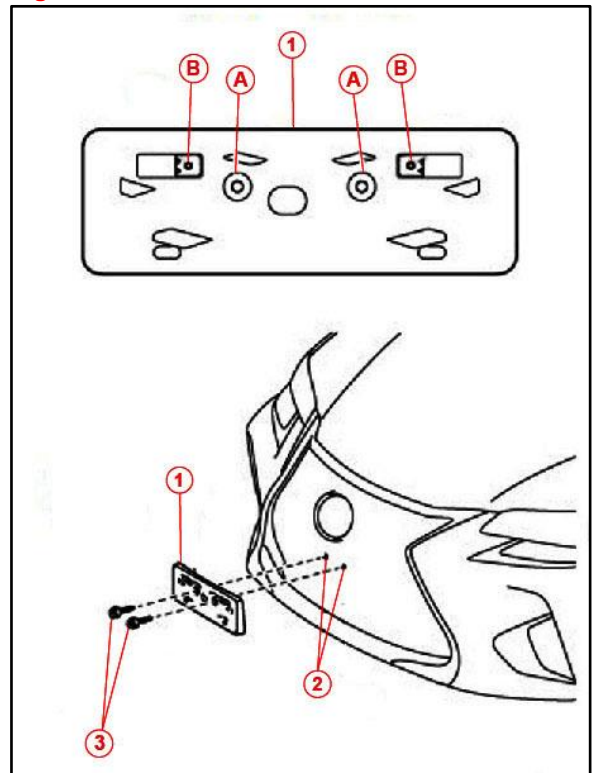
- Holes "A" are used for installation of the mounting bracket to the bumper cover.
- Holes "B" are used for installation of the front license plate to the mounting bracket.

3. Install the mounting bracket to the front bumper cover using 2 self-tapping screws.

NOTICE:

Do NOT over-tighten the self-tapping screws.

Figure 3.



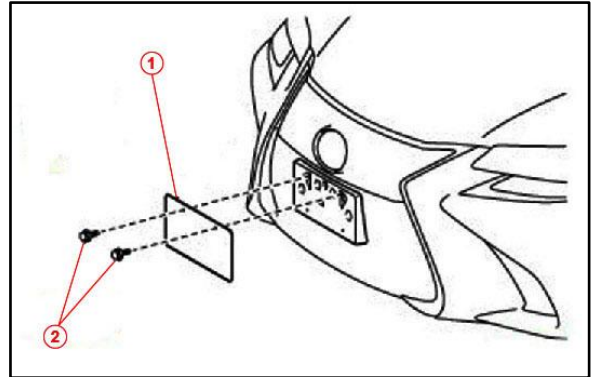
1	Mounting Bracket
2	Dimples
3	Self-tapping screws

Front License Plate & Mounting Bracket Installation

Procedure for GS F (Continued)

4. Install the front license plate to the mounting bracket using the 2 bolts.

Figure 4.



1	Front License Plate
2	Bolts

Front License Plate & Mounting Bracket Installation

Installation Procedure for F SPORT

1. Locate front license plate mounting bracket over radiator grille.
2. Aligning the holes "A" of the mounting bracket with the dimples on the front bumper cover.

NOTICE:

Do NOT drill into the dimples on the front bumper cover.

NOTE

- Holes "A" are used for installation of the mounting bracket to the bumper cover.
- Holes "B" are used for installation of the front license plate to the mounting bracket.

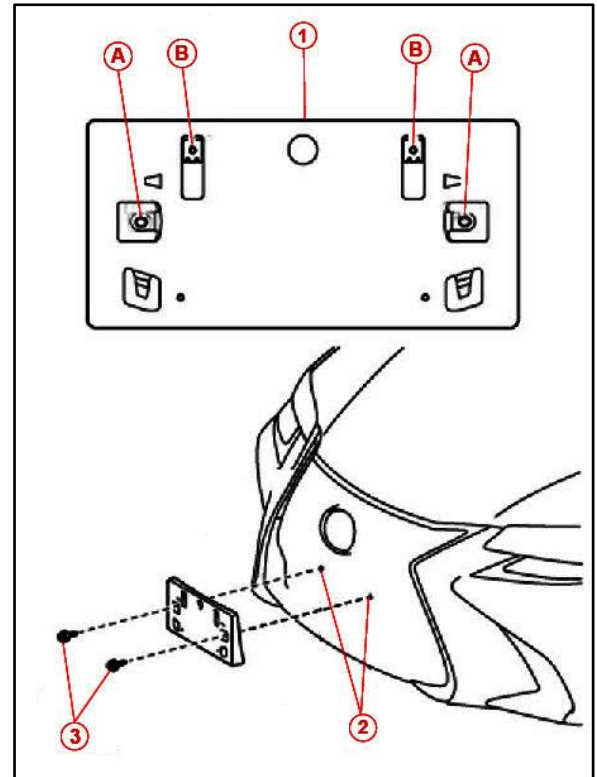
3. Install the mounting bracket to the front bumper cover using 2 self-tapping screws.

NOTICE:

Do NOT over-tighten the self-tapping screws.

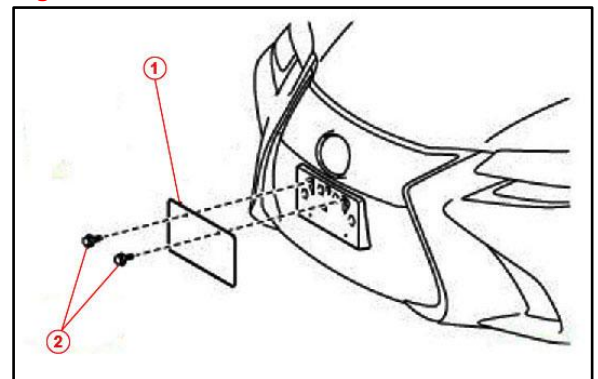
4. Install the front license plate to the mounting bracket using the 2 bolts.

Figure 5.



1	Mounting Bracket
2	Dimples
3	Self-tapping screws

Figure 6.



1	Front License Plate
2	Bolts

Front License Plate & Mounting Bracket Installation

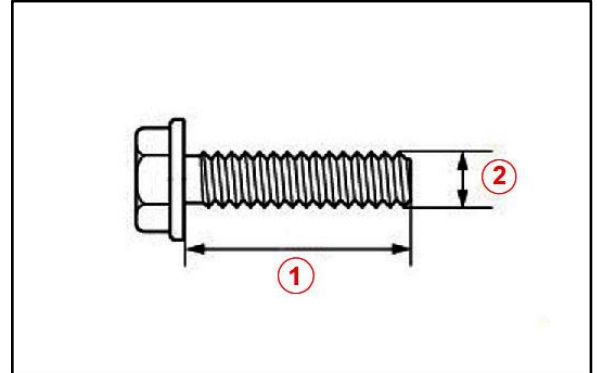
Installation Procedure for F SPORT (Continued)

5. Use bolts of non-corroding type with the following size for installation of the front license plate.

Nominal Length (l): 15.0 mm (0.59 in.)

Diameter (d): 6.0 mm (0.24 in.)

Figure 7.



1	Nominal Length
2	Diameter