

# Multi-Display Coating Damage

**Service Category** Audio/Visual/Telematics

**Section** Navigation/Multi Info Display

**Market** USA

Lexus Supports  
ASE Certification 

## Applicability

YEAR(S)	MODEL(S)	ADDITIONAL INFORMATION
2014 - 2015	IS250, IS350	
2015	RC F, RC350	

## Introduction

Some 2014 – 2015 Lexus IS 250/350 and 2015 RC 350/F vehicles may exhibit damage to the multi-display anti-reflective coating. A display lens with revised anti-reflective coating has been developed to address this condition.

## Warranty Information

OP CODE	DESCRIPTION	TIME	OFFP	T1	T2
EL1519	Multi-Display Lens Replacement	0.8	86110-53021	67	15

### APPLICABLE WARRANTY

- This repair is covered under the Lexus Basic Warranty. This warranty is in effect for 48 months or 50,000 miles, whichever occurs first, from the vehicle's in-service date.
- Warranty application is limited to occurrence of the specified condition described in this bulletin.

## Parts Information

PART NUMBER	PART NAME	QTY
86134-53030	Parts, Multi-Display	1

## Multi-Display Coating Damage

### Required Tools & Equipment

SPECIAL SERVICE TOOLS (SST)	PART NUMBER	QTY
Plastic Pry Tool Set*	<a href="#">00002-06000-01</a>	1

\* Essential SST.

**NOTE**

Additional SSTs may be ordered by calling 1-800-933-8335.

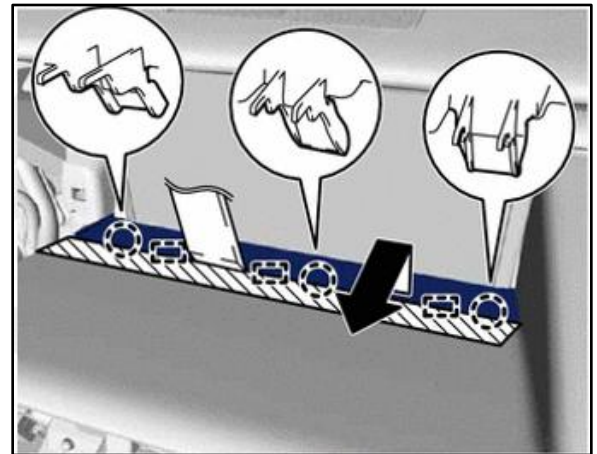
### Removal Procedure

1. Remove the No. 2 instrument cluster finish panel sub-assembly.

Refer to the Technical Information System (TIS), applicable model and model year Repair Manual:

- 2014 – 2015 IS:  
*Vehicle Interior – Interior Panels/Trim – “Interior Panels/Trim: Instrument Panel Safety Pad: [Removal](#)”*
- 2015 RC F:  
*Vehicle Interior – Interior Panels/Trim – “Interior Panels/Trim: Instrument Panel Safety Pad: [Removal](#)”*
- 2015 RC 350:  
*Vehicle Interior – Interior Panels/Trim – “Interior Panels/Trim: Instrument Panel Safety Pad: [Removal](#)”*

**Figure 1.**



## Multi-Display Coating Damage

### Removal Procedure (Continued)

1. Remove the multi-display assembly with bracket.

Refer to the TIS, applicable model and model year Repair Manual:

- 2014 – 2015 IS:  
*Navigation / Multi Info Display – Multi-display – “Navigation / Multi Info Display: Multi-Display: [Removal](#)”*
- 2015 RC F:  
*Navigation / Multi Info Display – Multi-display – “Navigation / Multi Info Display: Multi-Display: [Removal](#)”*
- 2015 RC 350:  
*Navigation / Multi Info Display – Multi-display – “Navigation / Multi Info Display: Multi-Display: [Removal](#)”*

- A. Remove the 2 bolts.
- B. Pull the multi-display assembly with bracket as shown in the illustration to disengage the four clips.

Figure 2.

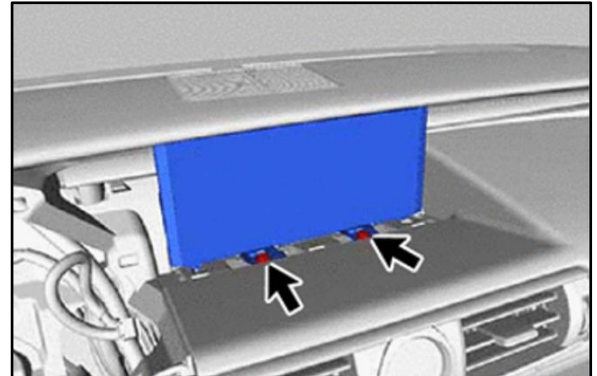
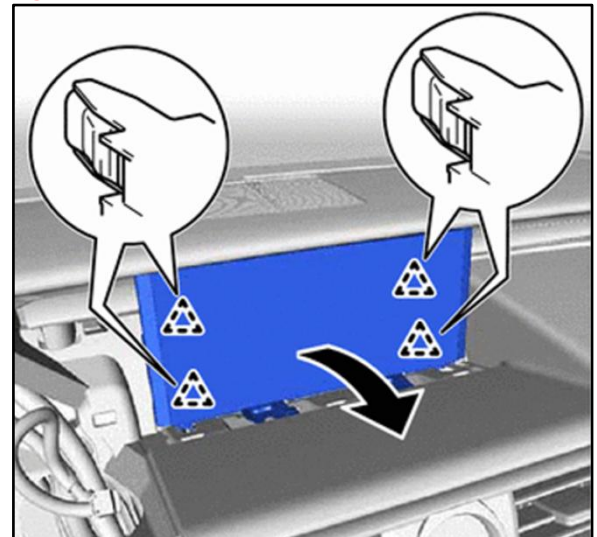


Figure 3.



## Multi-Display Coating Damage

### Removal Procedure (Continued)

- C. Disconnect the 2 connectors.
  - D. Disengage the clamp (outlined above) and remove the multi-display with bracket.
2. Remove the No. 1 multi-display bracket by removing the 2 screws and No. 1 multi-display bracket.

Figure 4.

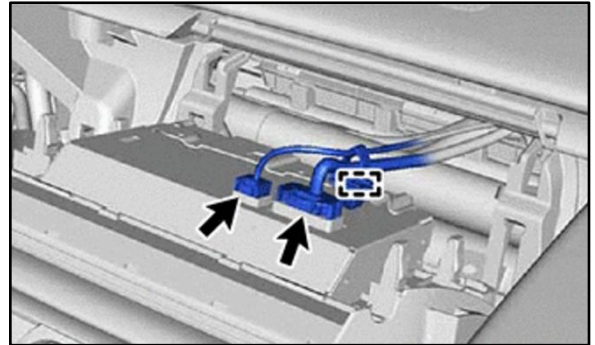
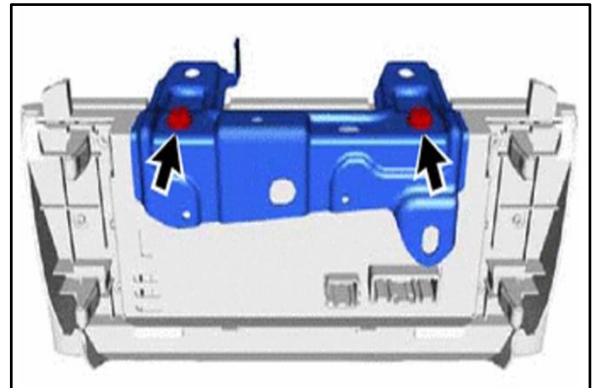


Figure 5.



### Lens Replacement

**NOTE**

To watch a video of the Lens Replacement Procedure, click on the following link:

[Denso Multi-Display Lens Replacement Procedure.](#)

In this video the front lens is referred to as the front escutcheon, and the rear cover is referred to as the rear escutcheon.

1. Remove the insulator attached on the top of the display slowly from the edge.

**NOTE**

Remove the insulator completely.

Figure 6.



## Multi-Display Coating Damage

### Lens Replacement (Continued)

- Put the display down on the table with the front lens facing downward and the upper side to the front.

**NOTE**

Make sure a clean cloth is spread out on the work table for disassembly and assembly operation.

**Figure 7.**



- Remove the 6 screws from the back of the display.

**NOTE**

When you remove the screws, make sure to use a screwdriver with a suitable bit size.

**Figure 8.**



<b>1</b>	<b>Screw</b>
----------	--------------

- Separate the rear cover (with yellow clips) from the display.

**Figure 9.**



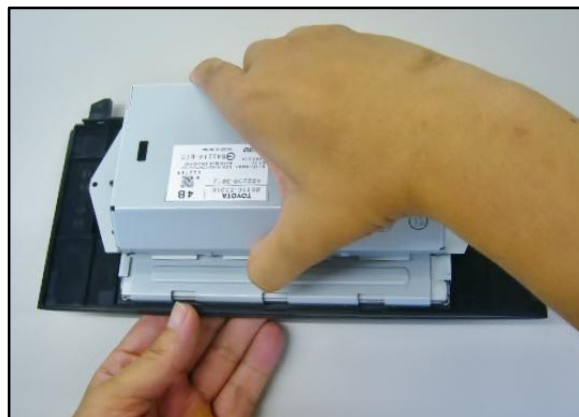
## Multi-Display Coating Damage

---

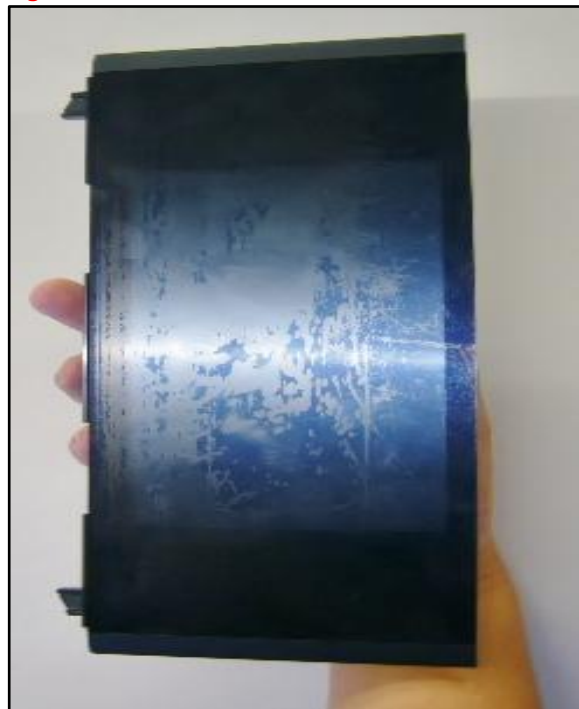
### Lens Replacement (Continued)

5. Lift up the display and hold it in your hands as shown.

**Figure 10.**



**Figure 11.**



## Multi-Display Coating Damage

### Lens Replacement (Continued)

6. Remove the upper part of the front lens from the LCD panel assembly.

Using the 3 claws at the bottom as a supporting point, pull open the front lens as shown.

Figure 12.



7. Remove the front lens from the LCD panel assembly.

#### NOTICE

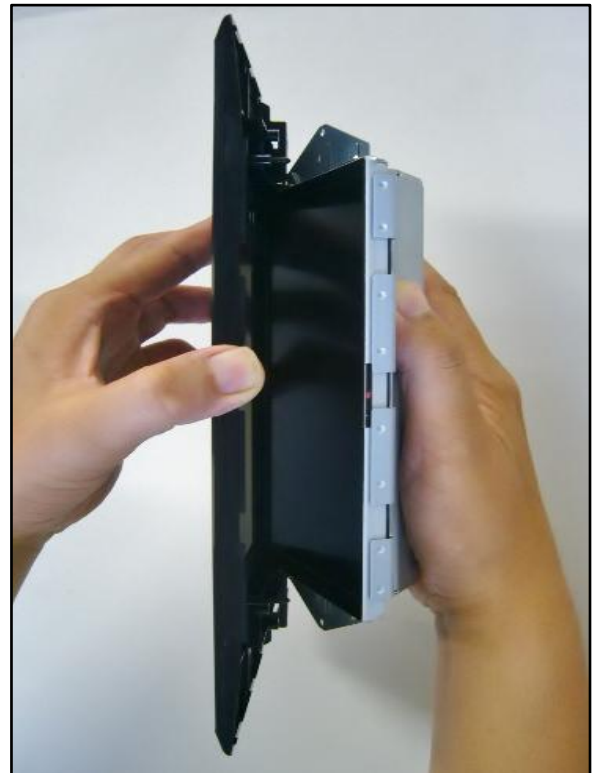
Before assembly, do NOT put the display on the table, etc. because the LCD panel assembly and the rear cover could become separated.



1 Separated state

Do NOT scratch, contaminate, or leave fingerprints on the lens or display prior to reassembly

Figure 13.



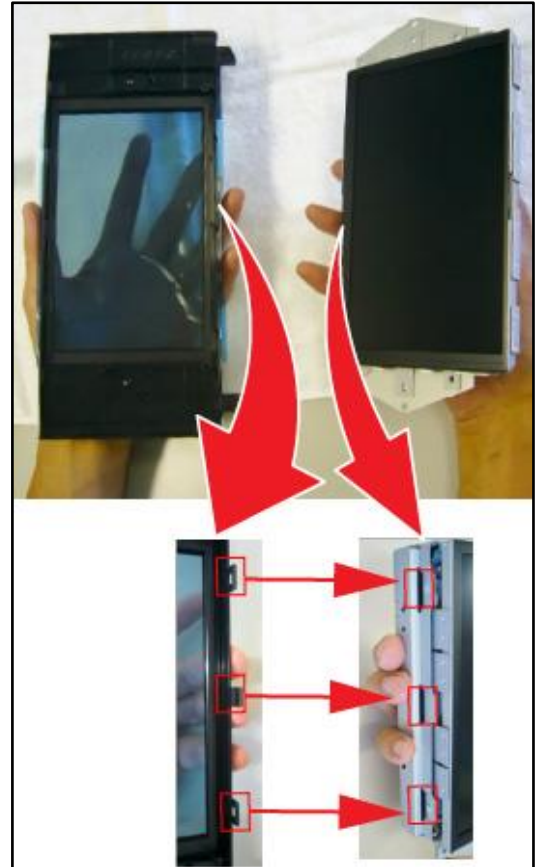
## Multi-Display Coating Damage

---

### Lens Replacement (Continued)

8. Insert the claws (at three points) of the new front lens into the holes at the bottom of the LCD panel.

Figure 14.





## Multi-Display Coating Damage

---

### Lens Replacement (Continued)

9. Fit the NEW front lens on the LCD panel assembly.

**Figure 15.**



<b>1</b>	<b>Positioning Boss</b>
<b>2</b>	<b>Positioning Hole</b>
<b>3</b>	<b>Supporting Point</b>

## Multi-Display Coating Damage

### Lens Replacement (Continued)

10. Put the display down on the table as shown.

Make sure the positioning boss is protruding.

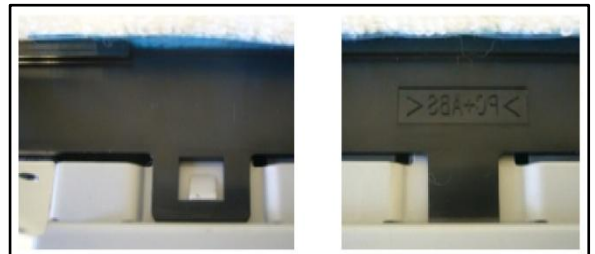
**Figure 16.**



<b>1</b>	<b>Positioning Boss</b>
----------	-------------------------

Make sure the claws of the front lens are locked into the rear cover.

**Figure 17.**

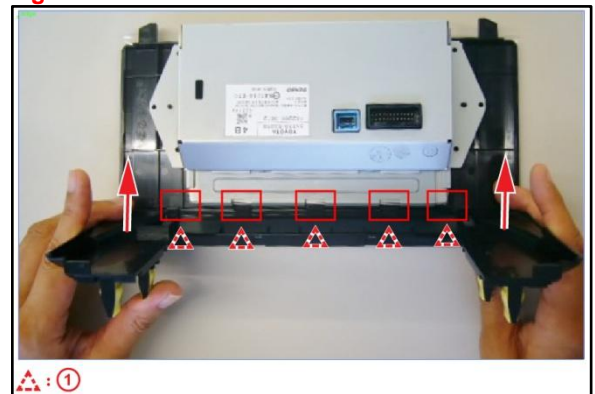


11. Assemble the front lens and the rear cover.

Align the rear cover on the claws (at five points) at the upper part of the front lens.

With the claws as the supporting points, fit on the rear cover.

**Figure 18.**



<b>1</b>	<b>Alignment Points</b>
----------	-------------------------

## Multi-Display Coating Damage

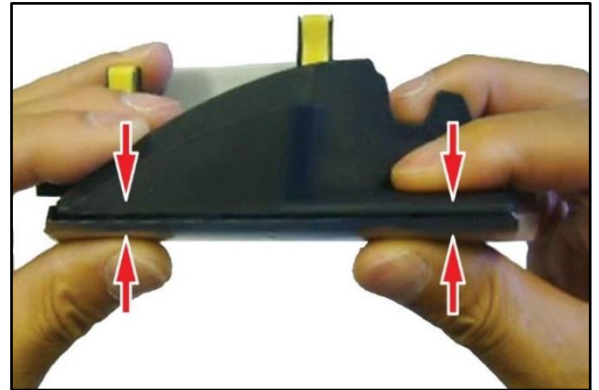
### Lens Replacement (Continued)

- Lock the claws on both sides of the display.

**NOTE**

Make sure there is no clearance between the front lens and the rear cover.

Figure 19.



- Secure the rear cover by installing the six new screws provided in the repair kit.

**NOTE**

When tightening the screws, make sure to use a screwdriver in the suitable bit size.

Figure 20.



1	Screw
---	-------

- Attach the new insulator provided in the repair kit.

Figure 21.



1	Attachment Start Point
---	------------------------

## Multi-Display Coating Damage

---

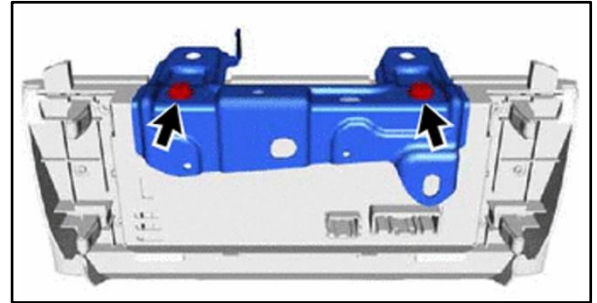
### Installation Procedure

1. Install the No. 1 multi-display bracket with the two screws.

Refer to the Technical Information System (TIS), applicable model and model year Repair Manual:

- 2014 – 2015 IS:  
*Navigation/Multi Info Display – Multi-display – “Navigation / Multi Info Display: Multi-Display: [Installation](#)”*
- 2015 RC F:  
*Navigation/Multi Info Display – Multi-display – “Navigation / Multi Info Display: Multi-Display: [Installation](#)”*
- 2015 RC 350:  
*Navigation/Multi Info Display – Multi-display – “Navigation / Multi Info Display: Multi-Display: [Installation](#)”*

Figure 22.

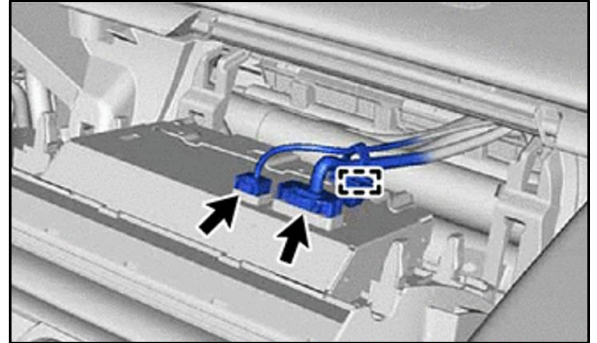


## Multi-Display Coating Damage

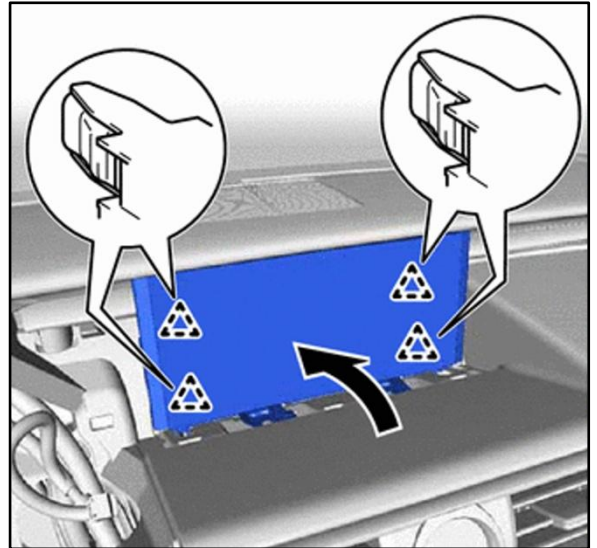
### Installation Procedure (Continued)

2. Install the multi-display assembly with bracket.
  - A. Engage the clamp (outlined).
  - B. Connect the two connectors.

**Figure 23.**

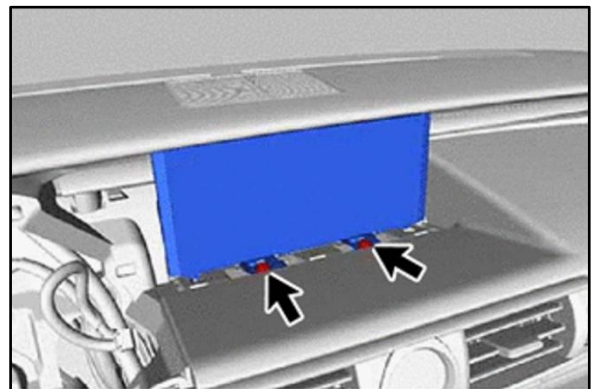


**Figure 24.**



- C. Install the multi display assembly with bracket with the two bolts.

**Figure 25.**



## Multi-Display Coating Damage

### Installation Procedure (Continued)

3. Install instrument cluster finish panel sub-assembly by engaging the three guides.

**HINT**

**Install the instrument cluster finish panel sub-assembly left (driver) side first.**

Refer to the Technical Information System (TIS), applicable model and model year Repair Manual:

- 2014 – 2015 IS and RC models  
*Vehicle Interior – Interior Panels/Trim – “Interior Panels/Trim: Instrument Panel Safety Pad: [Installation](#)”*
- 2015 RC F:  
*Vehicle Interior – Interior Panels/Trim – “Interior Panels/Trim: Instrument Panel Safety Pad: [Installation](#)”*
- 2015 RC 350:  
*Vehicle Interior – Interior Panels/Trim – “Interior Panels/Trim: Instrument Panel Safety Pad: [Installation](#)”*

4. Remove the protective film, confirm the display is free of damage and operates normally.

**Figure 26.**

