

TECHNICAL BULLETIN
K432 UPS7116-2bNAS1
16 SEP 2016



© Jaguar Land Rover North America, LLC

NOTE: The information in Technical Bulletins is intended for use by trained, professional Technicians with the knowledge, tools, and equipment required to do the job properly and safely. It informs these Technicians of conditions that may occur on some vehicles, or provides information that could assist in proper vehicle service. The procedures should not be performed by 'do-it-yourselfers'. If you are not a Retailer, do not assume that a condition described affects your vehicle. Contact an authorized Jaguar service facility to determine whether this bulletin applies to a specific vehicle.

SECTION: 100-00

Update Prior to Sale: Vacuum Pipe and Exhaust Gas Recirculation Pipe Contact

AFFECTED VEHICLE RANGE:

XF (X260)

Model Year: 2017
VIN: Y17976-Y37303 INGENIUM I4 2.0L Diesel
Assembly Plant: Castle Bromwich

XE (X760)

Model Year: 2017
VIN: 943887-963452 INGENIUM I4 2.0L Diesel
Assembly Plant: Solihull

MARKETS:

NAS

CONDITION SUMMARY:

Situation: An issue has been identified on a limited number of vehicles within the listed Affected Vehicle Range where the chassis mount vacuum pipe assembly has been identified as having the potential to move downwards along its securing position on the dipstick tube and come into contact with the HP exhaust gas recirculation pipe. This may result in the chassis mount vacuum hose melting under direct or radiated heat from the HP exhaust gas recirculation pipe and causing a loss of vacuum pressure to the vacuum line.

Action: Retailers are required to **HOLD** affected new vehicles that are within your control and refrain from releasing the vehicles for **new vehicle sale** pending completion of **ALL of the Service Instructions (A-F)** detailed in this Technical Bulletin. Unsold vehicles should have this performed as part of the Pre-Delivery Inspection (PDI) process but **must** have it completed prior to vehicle handover to the customer.

This program does not apply to any vehicle already registered and in use, either with the retailer or customer. Any vehicle already in use may continue to be driven and any repair instructions deemed necessary will be communicated through a separate Field Action or Technical Bulletin.

PARTS:



NOTE: Order only the expected percentage demand of parts identified.

DESCRIPTION	PART No./SUNDRY CODE	QTY./VALUE	EXPECTED % of VEHICLES REQUIRING PARTS
Metal cable tie	XR817343	2	100
Air cleaner	T2H6339	1	< 2.0
Fuel line clip	T2H24805	1	19
Vacuum Pipe	JDE36766	1	< 1.0
Cable tie 300mm x 4.8mm	ZZZ001	*\$0.40 [CAD] *\$0.30 [USD]	20

DESCRIPTION	PART No./SUNDRY CODE	QTY./VALUE	EXPECTED % of VEHICLES REQUIRING PARTS
Hose clips	ZZZ001	*\$16.00 [CAD] *\$12.00 [USD]	100

* - an allowance has been provided to cover the cost of the locally sourced cable ties and hose clips and must be claimed using Sundry Code 'ZZZ001'.

Special NOTES on parts for EGR Heat Sleeve Repair

Two alternative repair methods are included in the Workshop procedure. One utilizes two metal cable ties and the 100-050 BAND-IT special tool. Currently these parts and tools are not available. Utilize the alternative repair method using the two locally sourced supplemental hose clamps Jaguar will advise when tools and metal cable ties become available.

Locally sourced hose clamp specification:

- Material: 316 stainless steel
- Diameter: 20mm (minimum) -35mm (maximum)
- Width: 12.7mm

Suitable hose clamp brand name and manufacturer part number:

- Ideal Tridon: Part number 6716M51
- Breeze: Part number 66016
- Allied: Part number HGS30BP

Suitable hose clamps may be ordered from under these vendors using the item numbers listed:

- Hose Clamp Kings: <http://www.hoseclampkings.com>; Item BR 66016
- MSC Industrial Supply Co: <http://www.mscdirect.com>; Item 49709090
- Allied Electronics: <http://www.alliedelec.com>; Item 70524152

Special NOTE on supply of Fuel Line Clips

Fuel line clip **T2H24805** is in limited supply and can only be obtained by contacting the Jaguar Customer Service Team. If this part is required, contact the Jaguar Customer Service Team at 888-524-3577 > option 1. A valid VIN is required to successfully process the order.

Fuel line clip **T2H24805** will be supplied free of charge until the part is set up in the Parts system and normal ordering procedures can be followed.

SPECIAL TOOLS:

100-050 (BAND-IT TOOL)

WARRANTY:



NOTE: Check DDW to ensure that a vehicle is affected by this program prior to undertaking any rework action.

At the time of confirming a booking for vehicle repair, ensure that **all** outstanding Recalls and Service Actions are identified to ensure the correct parts are available and adequate workshop time is allocated for repairs to be completed at one visit.

Warranty claims must be submitted quoting Program Code **K432** together with Option Code **X**. The drive in / drive out allowance can only be claimed if the vehicle is brought back into the workshop for this action alone to be undertaken.

This program is valid for a limited time only. Warranty claims with a repair date prior to the **09 March 2017** closure date must be submitted or payment within 30 calendar days of completion of the repair.

Repair procedures are under constant review and therefore times / prices are subject to change; those quoted here must be taken as guidance only. Refer to TOPIX to obtain the latest repair time.

DESCRIPTION	SRO	TIME
Visually check all 6 faults	05.10.10	0.10
Vacuum Pipe to Exhaust Gas Recirculation (EGR) - Repair	05.10.10	0.10
Air Cleaner Cap - Repair	05.10.10	0.10
Air Cleaner Element - Engine Set - Renew	19.10.05	0.30
Harness Carrier - Repair	05.10.10	0.10
Fuel Line Clip - Repair	05.10.10	0.10
NOx Sensor Wiring - Repair	05.10.10	0.10
EGR Heat Sleeve - Repair	05.10.10	0.10
Vacuum pipe - Renew	05.10.20	0.20
Drive in/drive out	10.10.10	0.20

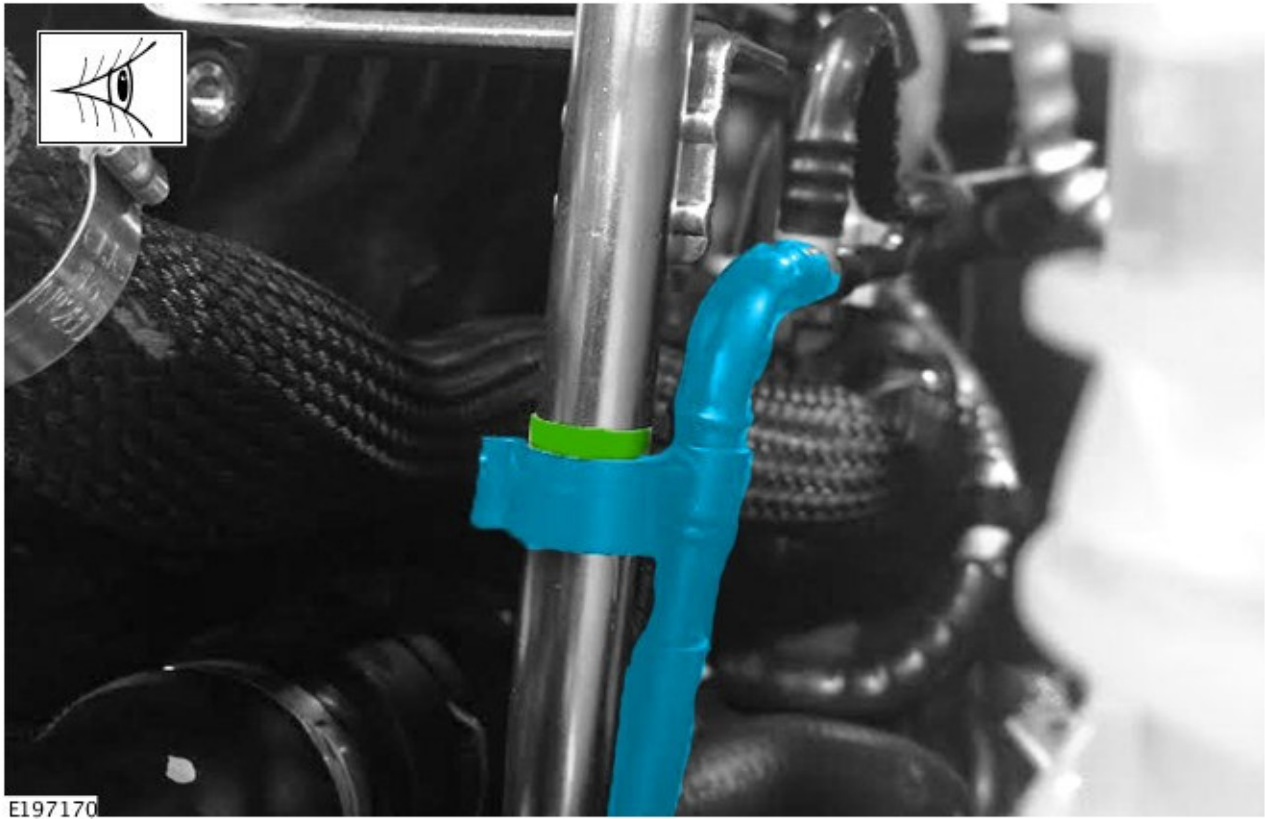
Normal Warranty policies and procedures apply.

* - an allowance has been provided to cover the cost of the locally sourced cable ties and hose clips and must be claimed using Sundry Code 'ZZZ001'.

SERVICE INSTRUCTION A

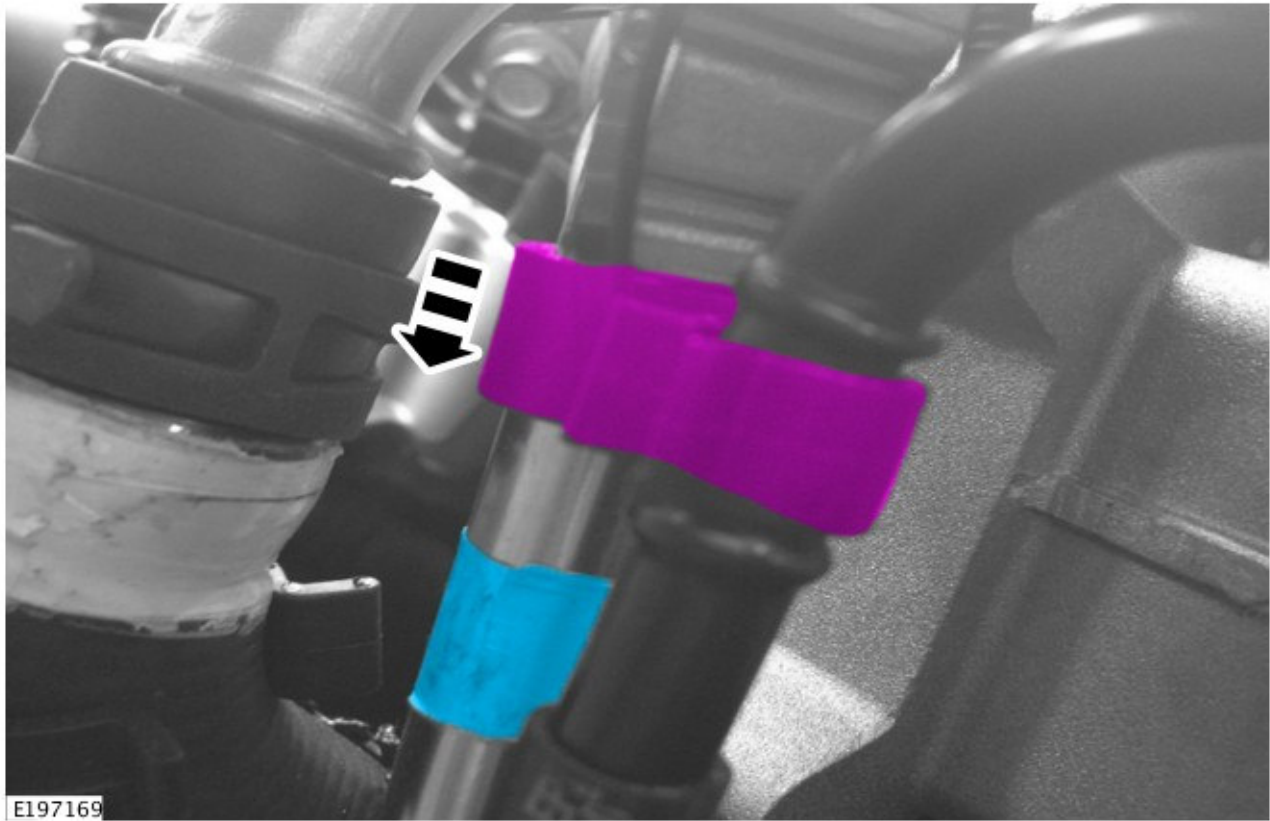
Vacuum Pipe-to-Exhaust Gas Recirculation (EGR) Check/Repair

1. Visually inspect the vacuum pipe to Exhaust Gas Recirculation (EGR).
 - If the clip is in line with the white tape (shown in green) as shown, continue to SERVICE INSTRUCTION B.
 - If the clip is not in line with the white tape (shown in green) as shown, continue to Step 2.



2. If the clip is installed as shown, install the clip as shown in Step 1.

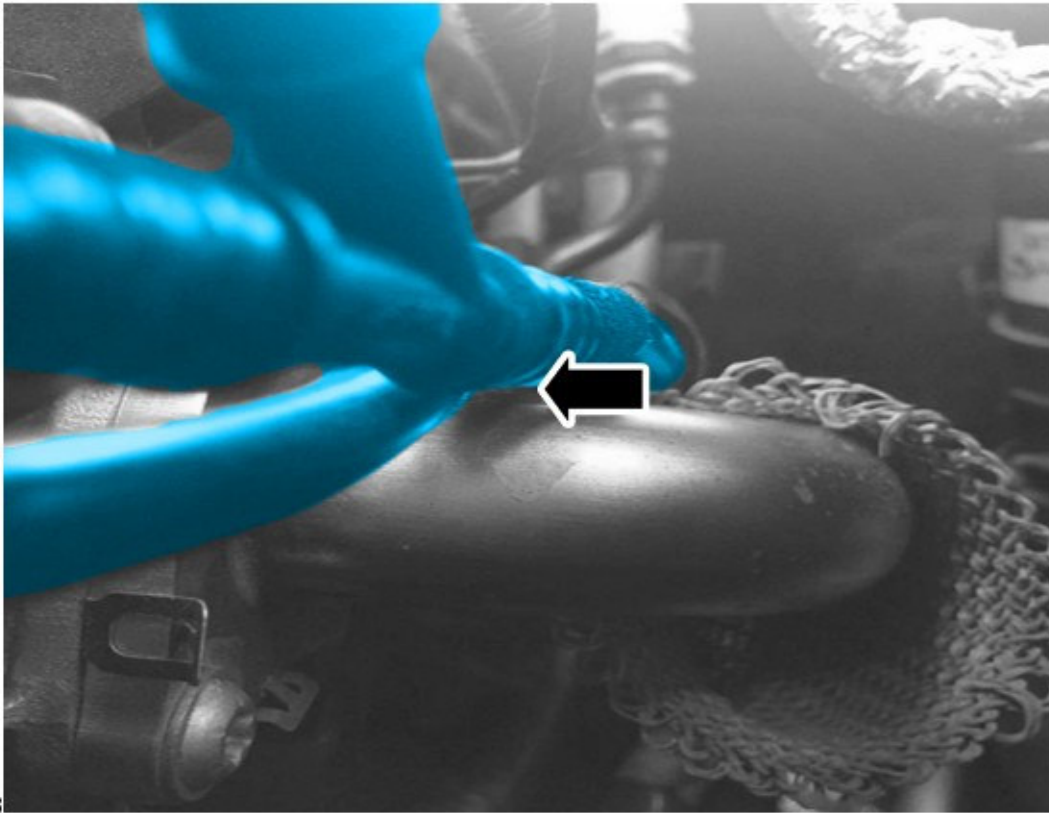
- Continue to SERVICE INSTRUCTION B.



SERVICE INSTRUCTION B

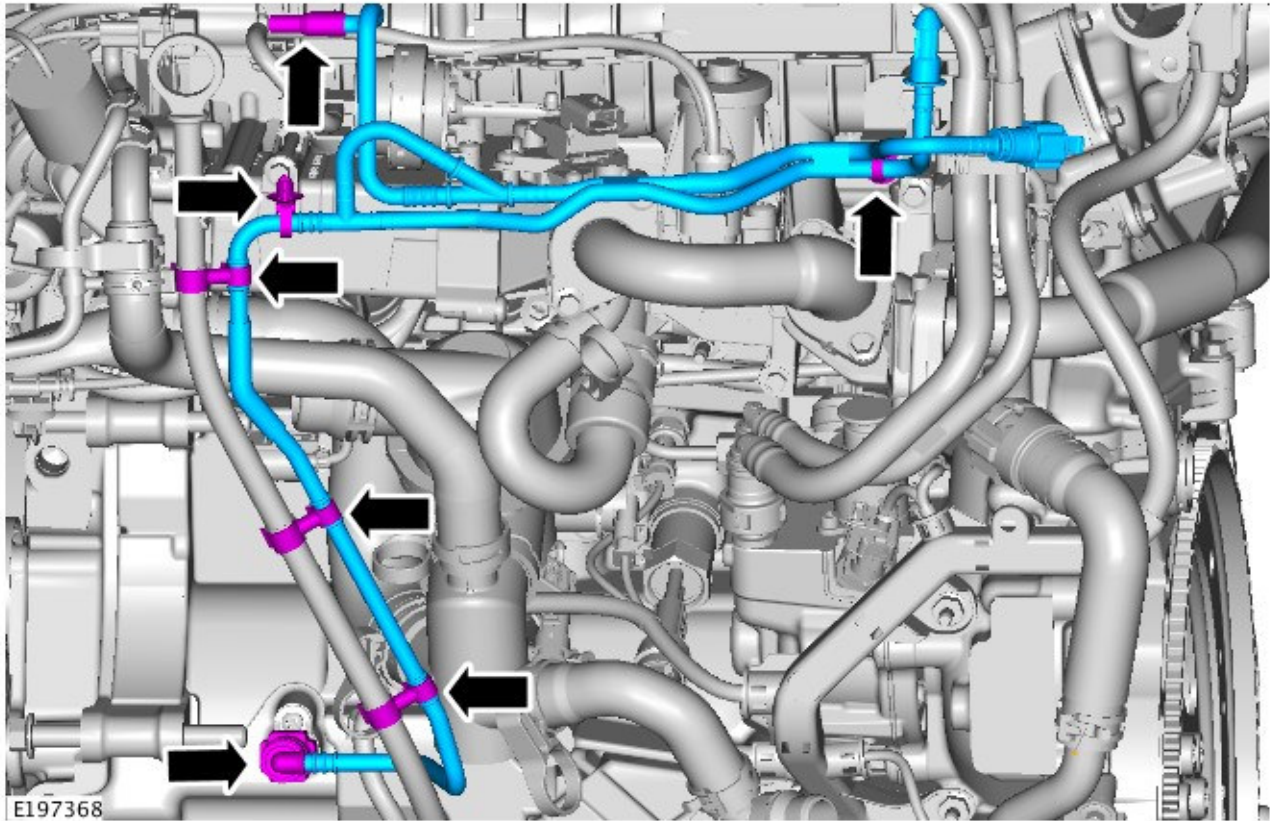
Exhaust Gas Recirculation (EGR) Heat Sleeve Check/Repair

1. Visually check the condition of the vacuum pipe for damage from the Exhaust Gas Recirculation (EGR) pipe.
 - If the vacuum pipe is not damaged, continue to Step 3.
 - If the vacuum pipe is damaged, continue to Step 2.



E197358

2. Replace the vacuum pipe.

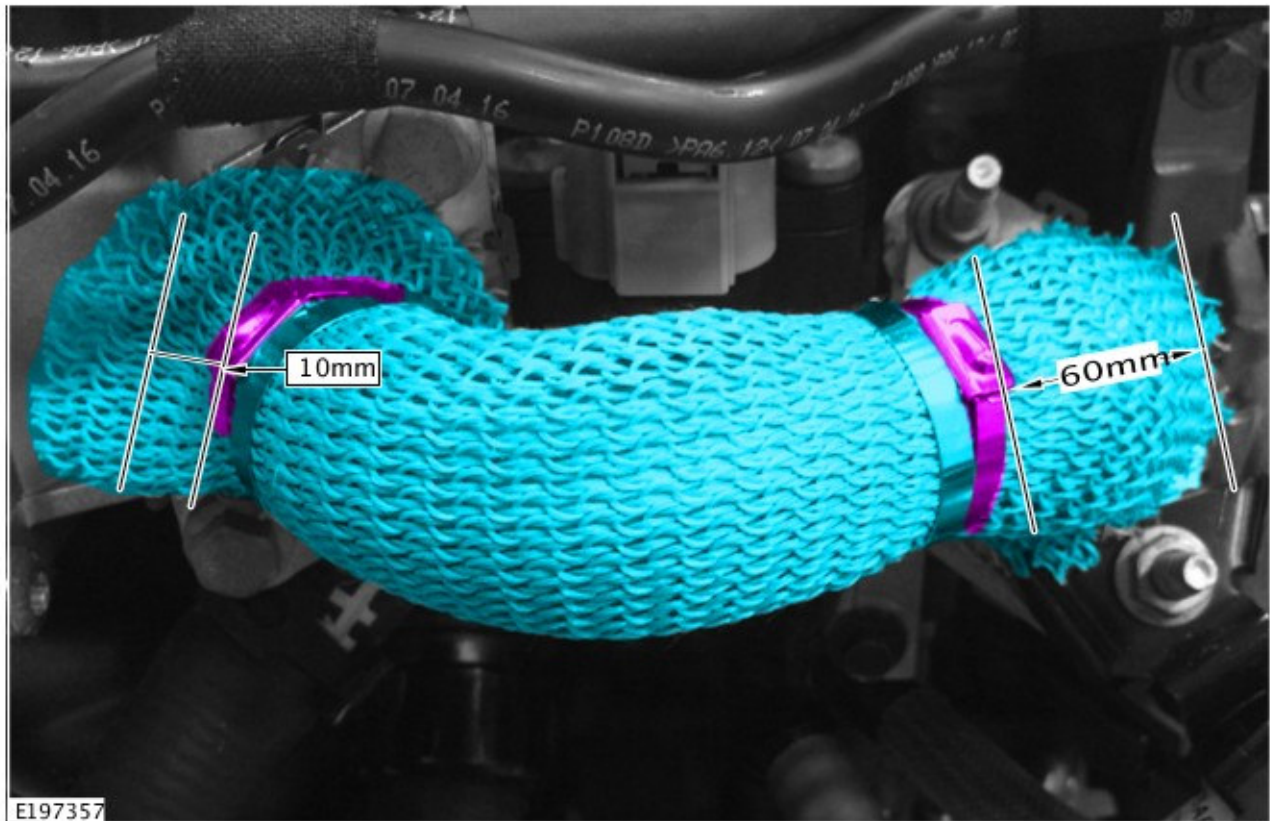


3.  **NOTE: The existing clips must remain installed to the heat sleeve to avoid damage.**

 **NOTE: Make sure the heat sleeve is secure and does not move with the new fasteners installed.**

Install new metal cable ties to the heat sleeve.

- If a new metal cable tie is not available, continue to Step 4.
- Use a new metal cable tie; tighten using special tool 100-050 (BAND-IT TOOL).

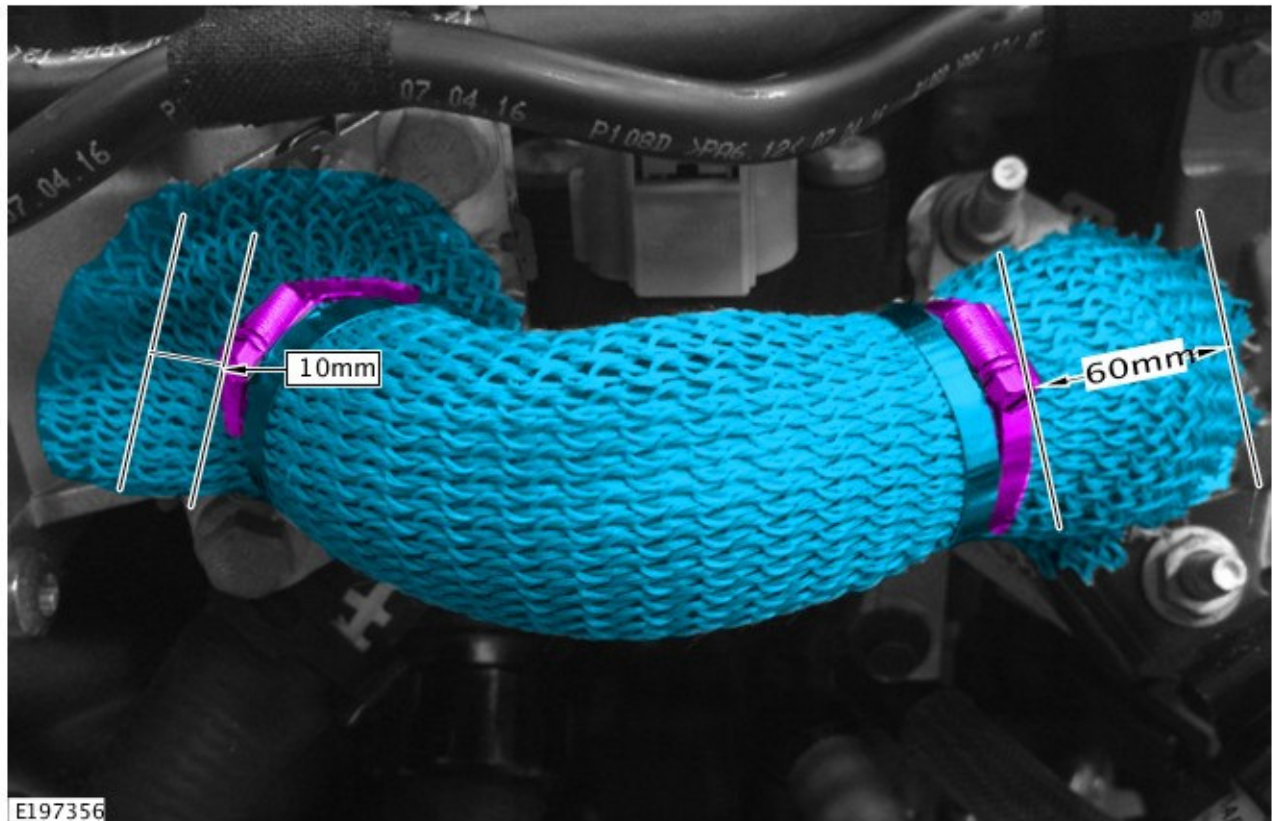


4.  **NOTE: The existing clips must remain installed to the heat sleeve to avoid damage.**

 **NOTE: Make sure the heat sleeve is secure and does not move with the new hose clips installed.**

Install new hose clips to the heat sleeve.

- Torque: **3.5Nm**
- Continue to SERVICE INSTRUCTION C.

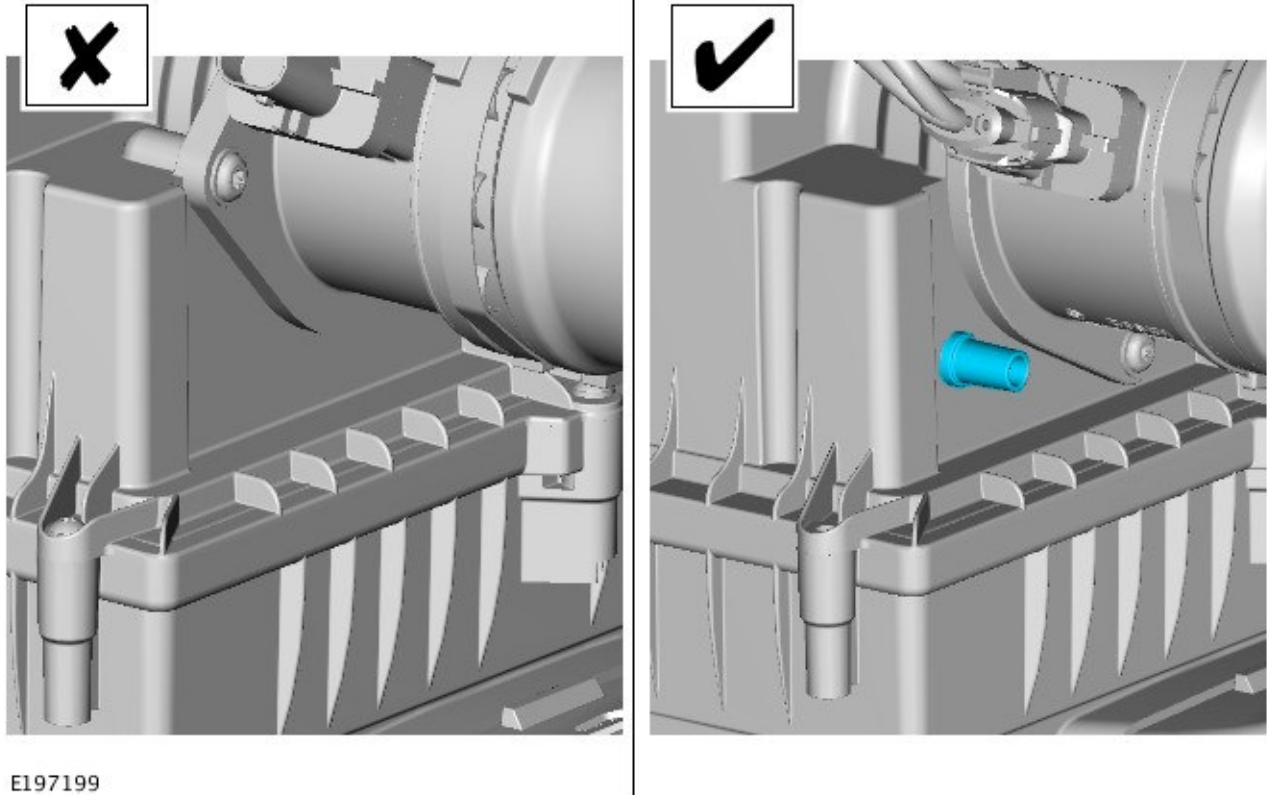


SERVICE INSTRUCTION C

Air Cleaner Cap Check/Repair

1. Visually check the air cleaner.

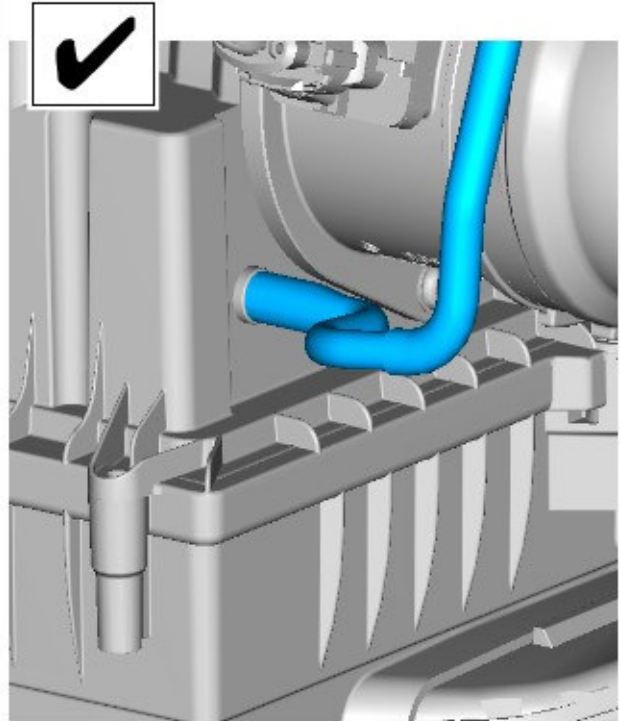
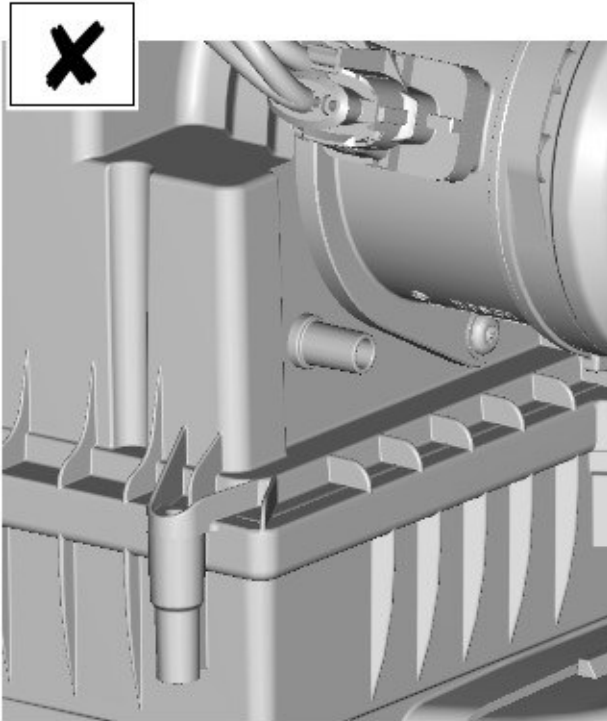
- If the air cleaner does have the outlet installed (✓), continue to Step 3.
- If the air cleaner does not have the outlet installed (✗), continue to Step 2.



2. Replace the air cleaner (see TOPIx Workshop Manual section 303-12: Intake Air Distribution and Filtering), making sure to attach the air cleaner pipe as shown (✓) in Step 3.

3. Visually check the air cleaner.

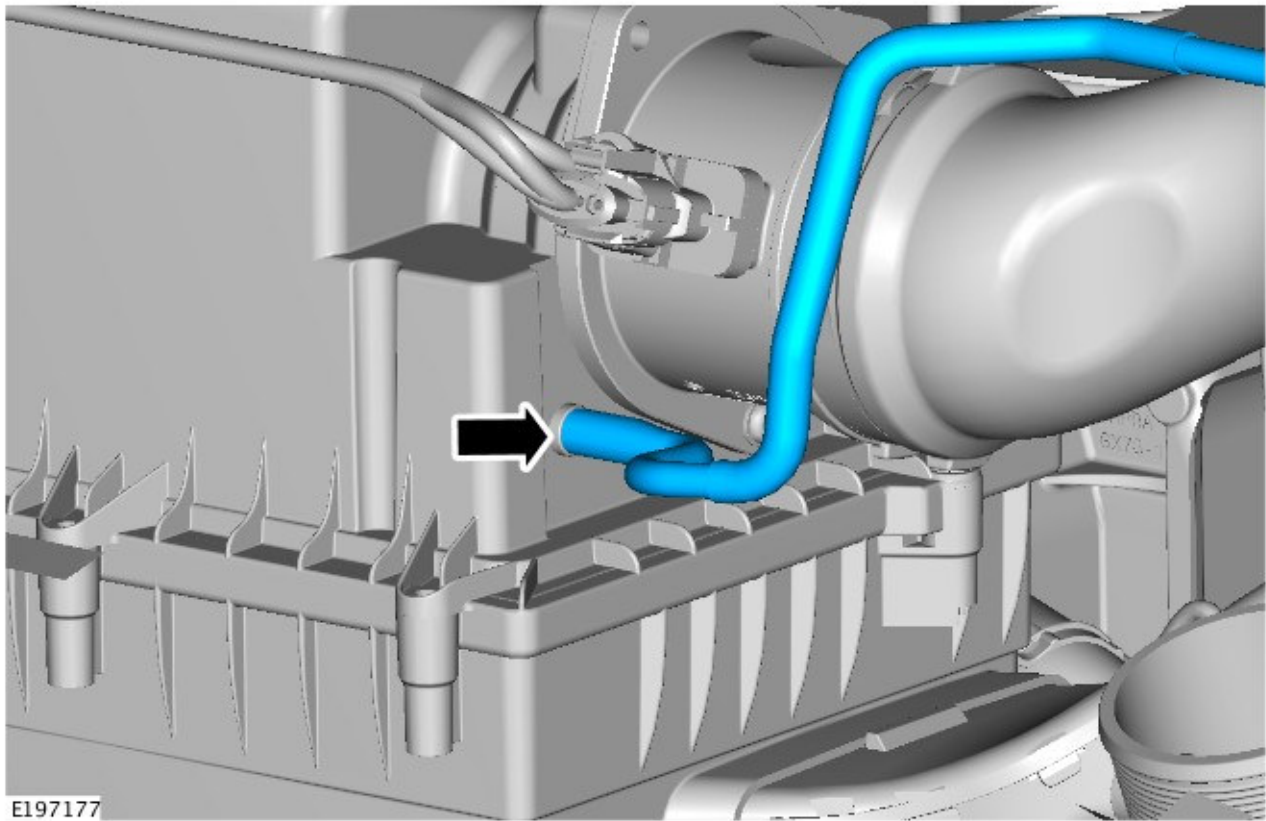
- If the air cleaner pipe is installed correctly (✓), continue to SERVICE INSTRUCTION D.
- If the air cleaner pipe is not installed correctly (✗), continue to Step 4.



E197175

4. Install the air cleaner pipe as shown.

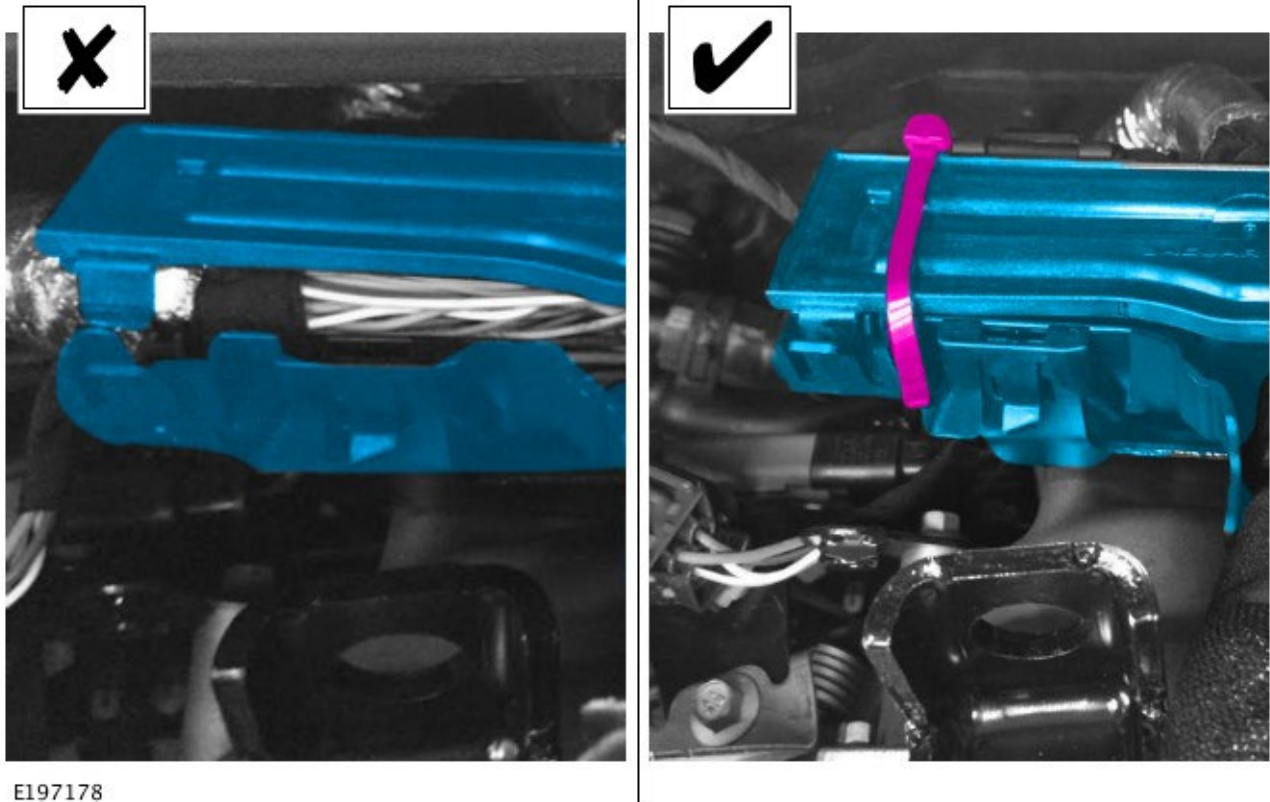
- Continue to SERVICE INSTRUCTION D.



SERVICE INSTRUCTION D

Harness Carrier Check/Repair

1. Remove engine cover (see TOPIx Workshop Manual section 501-05: Interior Trim and Ornamentation).
2. Visually check the harness carrier is installed correctly.
 - If the harness carrier is installed correctly (✓), continue to SERVICE INSTRUCTION E.
 - If the harness carrier is not installed correctly (✗), continue to Step 3.



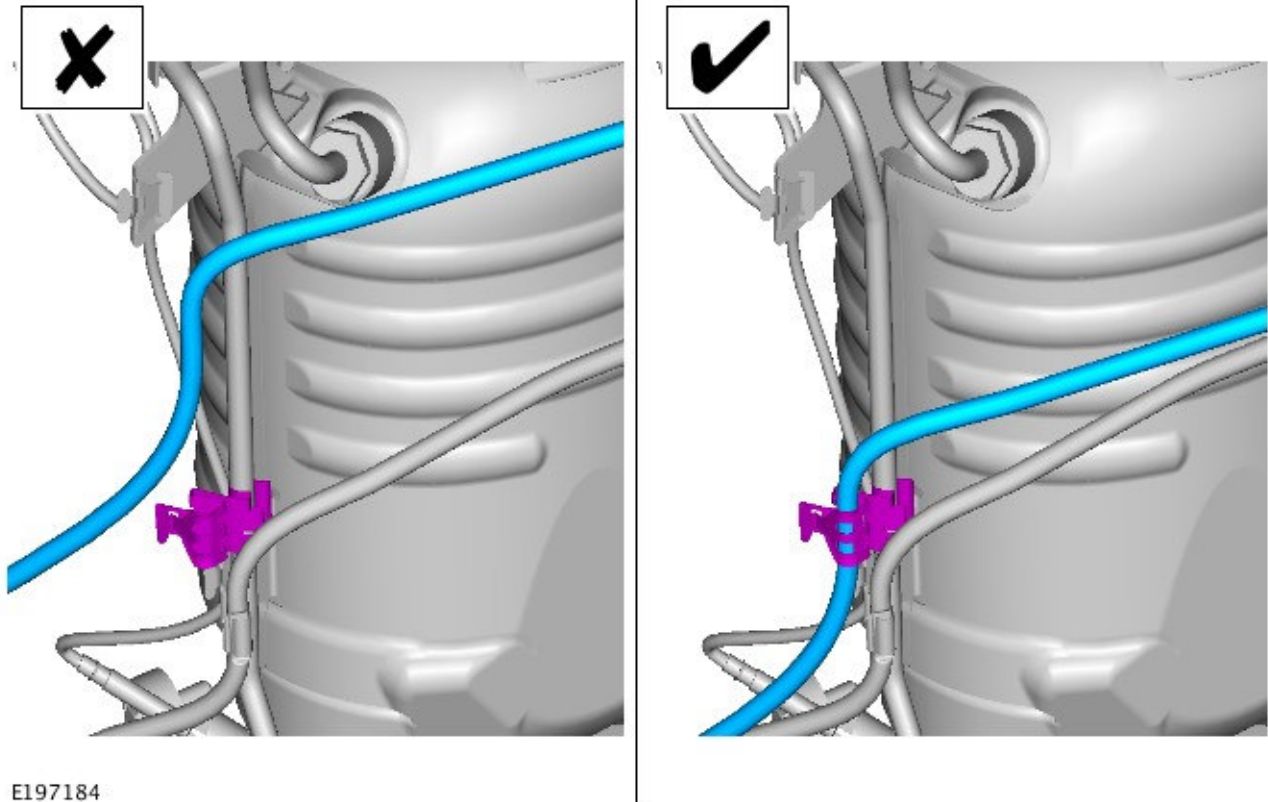
3. Install a cable tie to the harness carrier as shown (✓) in Step 2.

- Continue to SERVICE INSTRUCTION E.

SERVICE INSTRUCTION E

NOx Sensor Wiring Check/Repair

1. Visually check the NOx wiring is installed correctly to the Diesel Particulate Filter (DPF).
 - If the NOx wiring is installed correctly (✓), continue to SERVICE INSTRUCTION F.
 - If the NOx wiring is not installed correctly (✗), continue to Step 2.



2. Install the NOx wiring correctly as shown in Step 1 (✓).

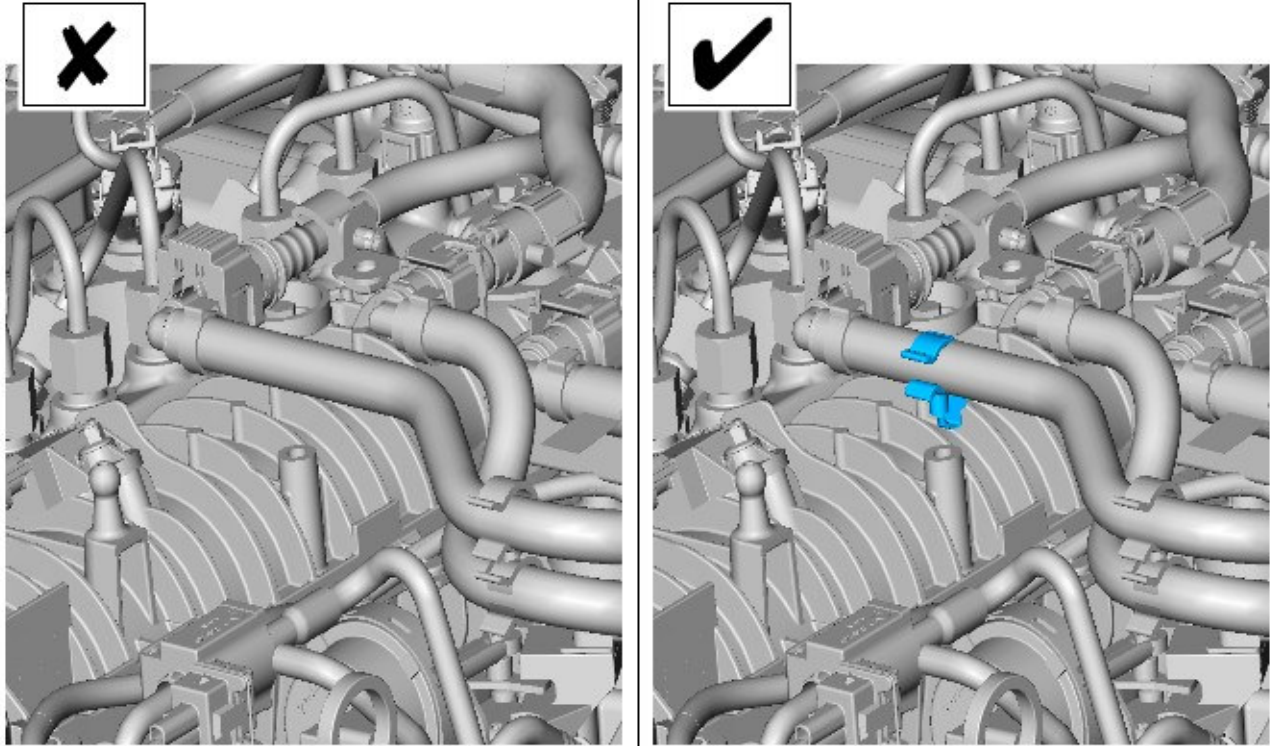
- Continue to SERVICE INSTRUCTION F.

SERVICE INSTRUCTION F

Fuel Line Clip Check/Repair

1. Visually check the fuel line and clip are installed correctly.

- If the fuel pipe and clip are installed correctly (✓) and all the other SERVICE INSTRUCTIONS are complete, release the vehicle.
- If the fuel line and clip are not installed correctly (✗), continue to Step 2.

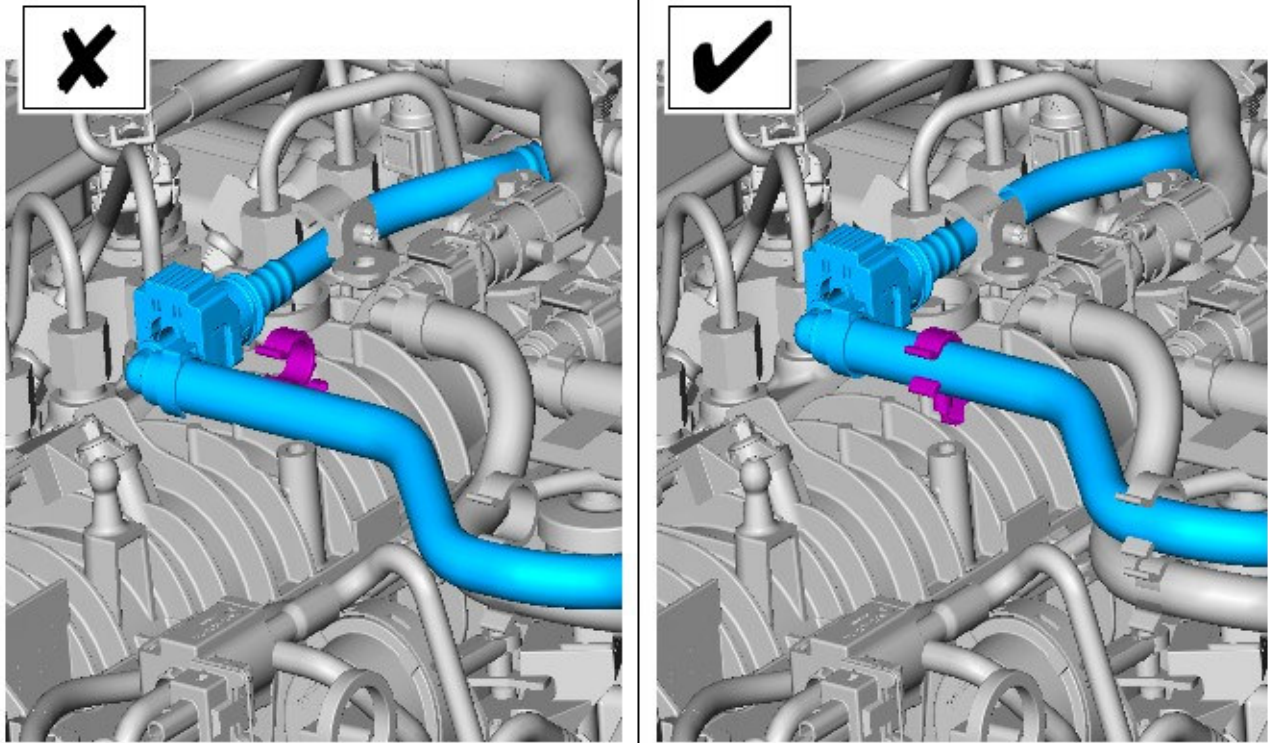


E197186

2. Refer to **Special NOTE on supply of Fuel Line Clips** in Parts section to obtain a fuel line clip.

3. Visually check the fuel line is installed correctly as shown.

- If the fuel line is installed (✓), continue to Step 5.
- If the fuel line is not installed correctly (✗), continue to Step 4.



E197185

4. Install the fuel line correctly (✓) as shown in Step 3.

5. Install the engine cover (see TOPIx Workshop Manual section 501-05: Interior Trim and Ornamentation).

- If all six workshop procedures have been completed successfully, release the vehicle.
- If any of the six workshop procedures have not been completed successfully, continue to hold the vehicle.