

TECHNICAL BULLETIN

JTB00506NAS2

09 AUG 2016



© Jaguar Land Rover North America, LLC

NOTE: The information in Technical Bulletins is intended for use by trained, professional Technicians with the knowledge, tools, and equipment required to do the job properly and safely. It informs these Technicians of conditions that may occur on some vehicles, or provides information that could assist in proper vehicle service. The procedures should not be performed by 'do-it-yourselfers'. If you are not a Retailer, do not assume that a condition described affects your vehicle. Contact an authorized Jaguar service facility to determine whether this bulletin applies to a specific vehicle.

This reissue replaces all previous versions. Please destroy all previous versions.

Changes are highlighted in gray

SECTION: 303-13

Evaporative Canister Hose Ozone Cracking

AFFECTED VEHICLE RANGE:

F-TYPE (X152)

Model Year: 2014 Onwards
VIN: K00001 Onwards
Assembly Plant: Castle Bromwich

MARKETS:

NAS

CONDITION SUMMARY:

Situation: The engine Malfunction Indicator Lamp (MIL) may be illuminated with Diagnostic Trouble Codes (DTC) relevant to an Evaporative Emission (EVAP) fault stored in the Powertrain Control Module (PCM).

Cause: This may be caused by the hose from the Diagnostic Module Tank Leakage (DMTL) pump to the evaporative emissions canister - secondary becoming deteriorated and cracked.

Action: Should a customer express this concern, follow the Service Instruction below.

PARTS:

T2R11439	Evaporative Canister Hose	1
----------	---------------------------	---

TOOLS:

Jaguar Land Rover-approved diagnostic tool with latest SDD software and Calibration File

Jaguar Land Rover-approved Midtronics battery power supply

Refer to the Service Instruction/Workshop Manual for any required special tools.

WARRANTY:

NOTE: Repair procedures are under constant review, and therefore times are subject to change; those quoted here must be taken as guidance only. Always refer to TOPIx to obtain the latest repair time.

NOTE: DDW requires the use of causal part numbers. Labor only claims must show the causal part number with a quantity of zero.

DESCRIPTION	SRO	TIME (HOURS)	CONDITION CODE	CAUSAL PART
Read fault codes	86.99.96	0.2	D4	C2C41663
Secondary evaporative emissions canister - Hose - Check - Convertible	17.15.56.99	0.6	D4	C2C41663
Secondary evaporative emissions canister - Hose - Check - Coupe	17.15.56	0.9	D4	C2C41663

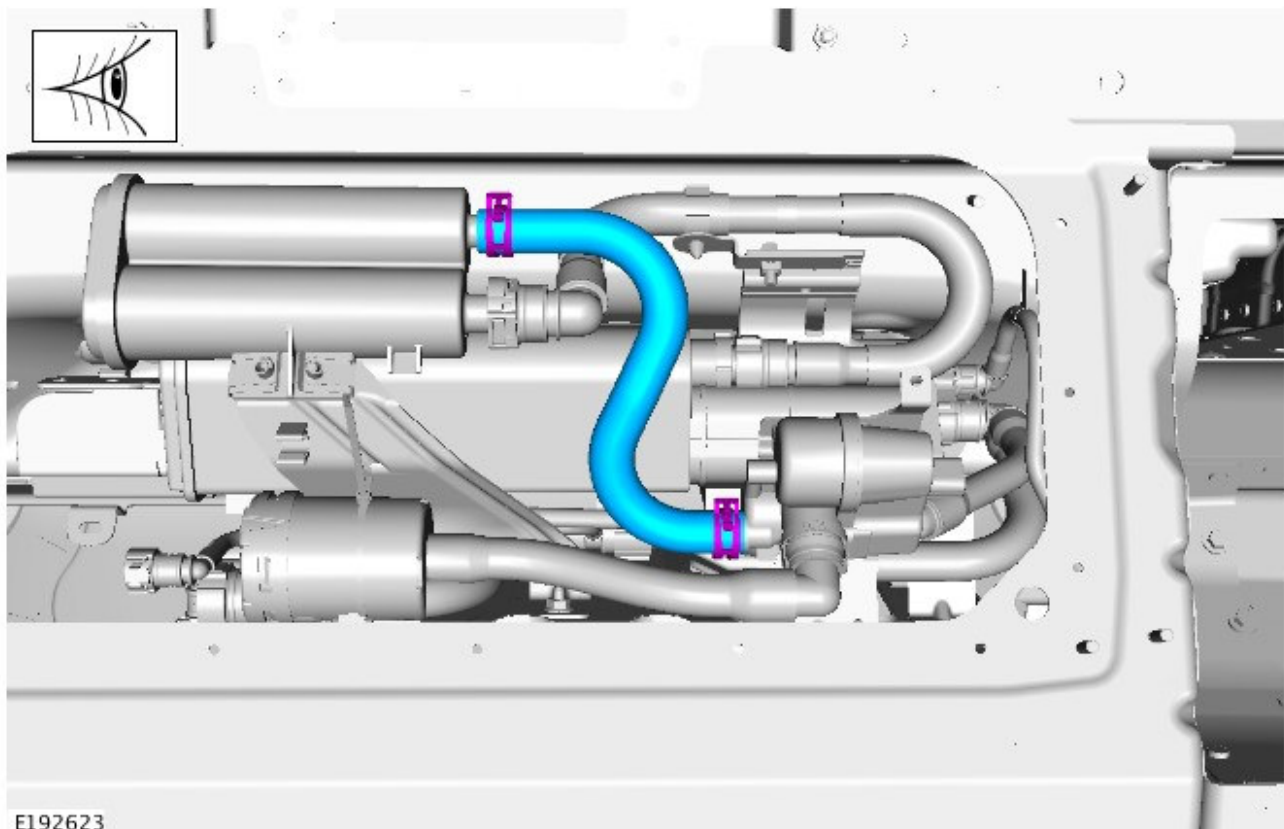
Secondary evaporative emissions canister - Hose - Renew - With components removed for access	17.15.57	0.1	D4	C2C41663
---	-----------------	-----	----	----------



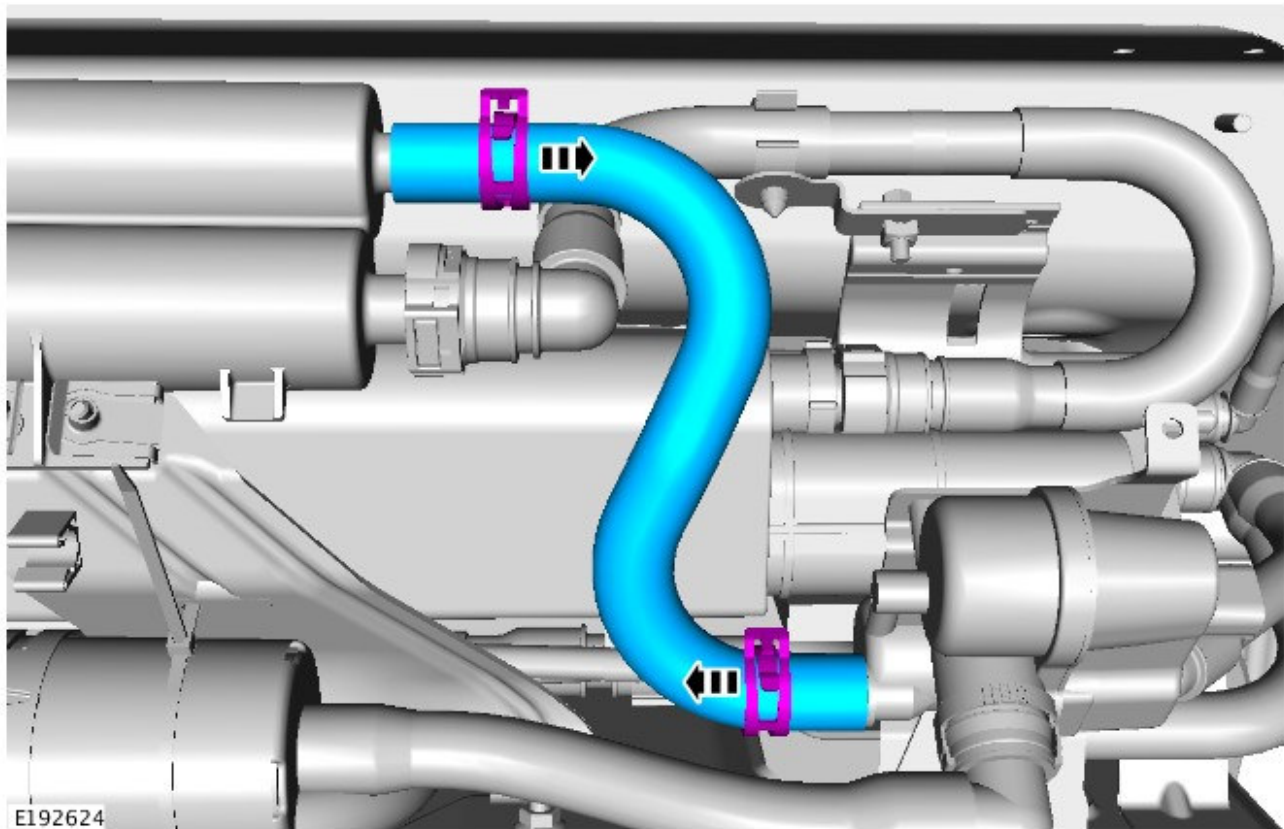
NOTE: Normal Warranty procedures apply.

SERVICE INSTRUCTION:

1. Connect the Jaguar Land Rover-approved Midtronics battery power supply to the vehicle battery.
2. Connect the Jaguar Land Rover-approved diagnostic tool to the vehicle and read the stored Diagnostic Trouble Codes (DTC).
 1. If DTC P0442-00 or P0456-00 is not present, this is not the cause of the customer concern and you should not continue with this Technical Service Bulletin.
 2. If DTC P0442-00 or P0456-00 is present, go to Step 3.
3. Access the evaporative emissions canister (see TOPIX Workshop Manual section 303-13: Evaporative Emissions - Evaporative Emission Canister [steps 1-7]).
4. Visually check the condition of the evaporative canister hose.
 1. If the evaporative canister hose does not have signs of deterioration, this is not the cause of the customer concern and you should not continue with this Technical Service Bulletin.
 2. If the evaporative canister hose does have signs of deterioration, go to Step 5.



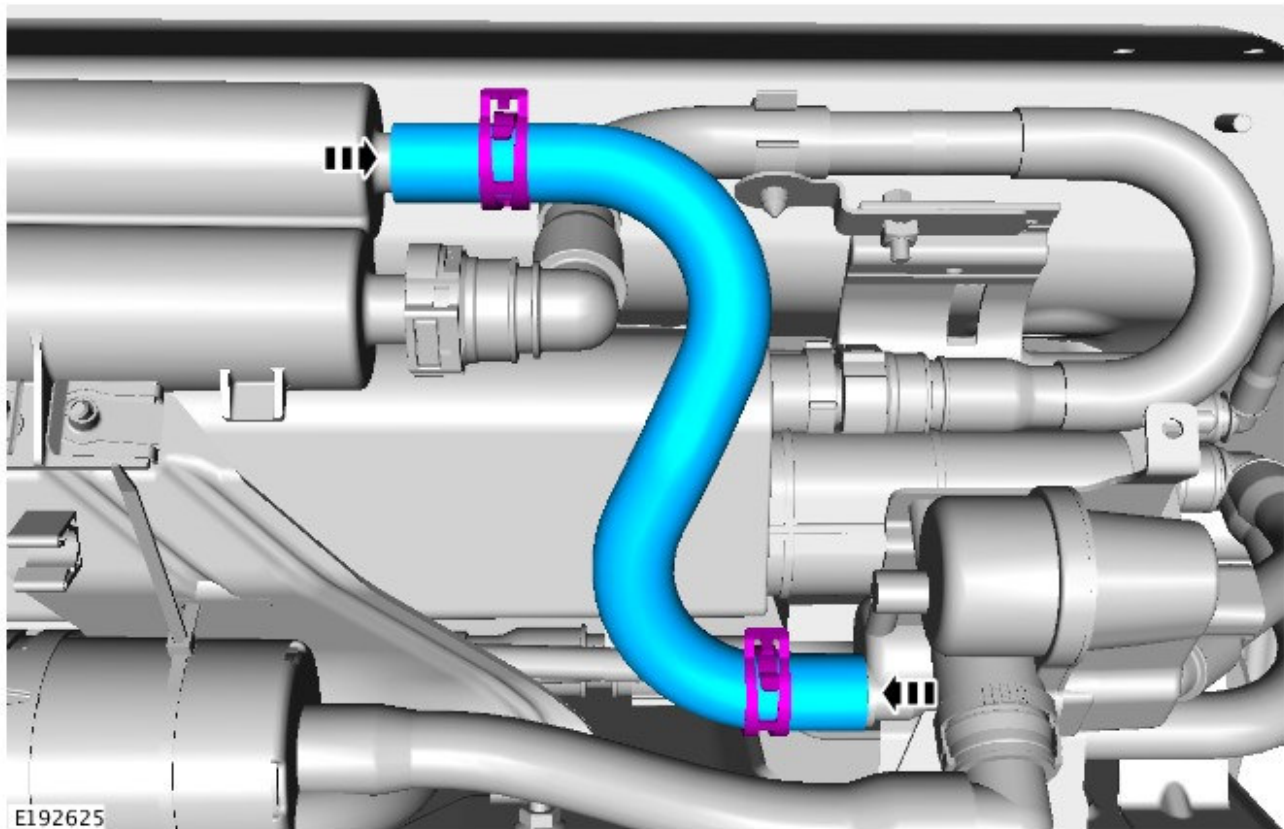
5. Release the tension from the evaporative canister hose fasteners and move the fasteners towards the center of the pipe.



6.  **NOTE: The evaporative canister hose fasteners must be reused to install the new evaporative canister hose.**

Remove and discard the evaporative canister hose.

- Remove and retain the evaporative canister hose fasteners.



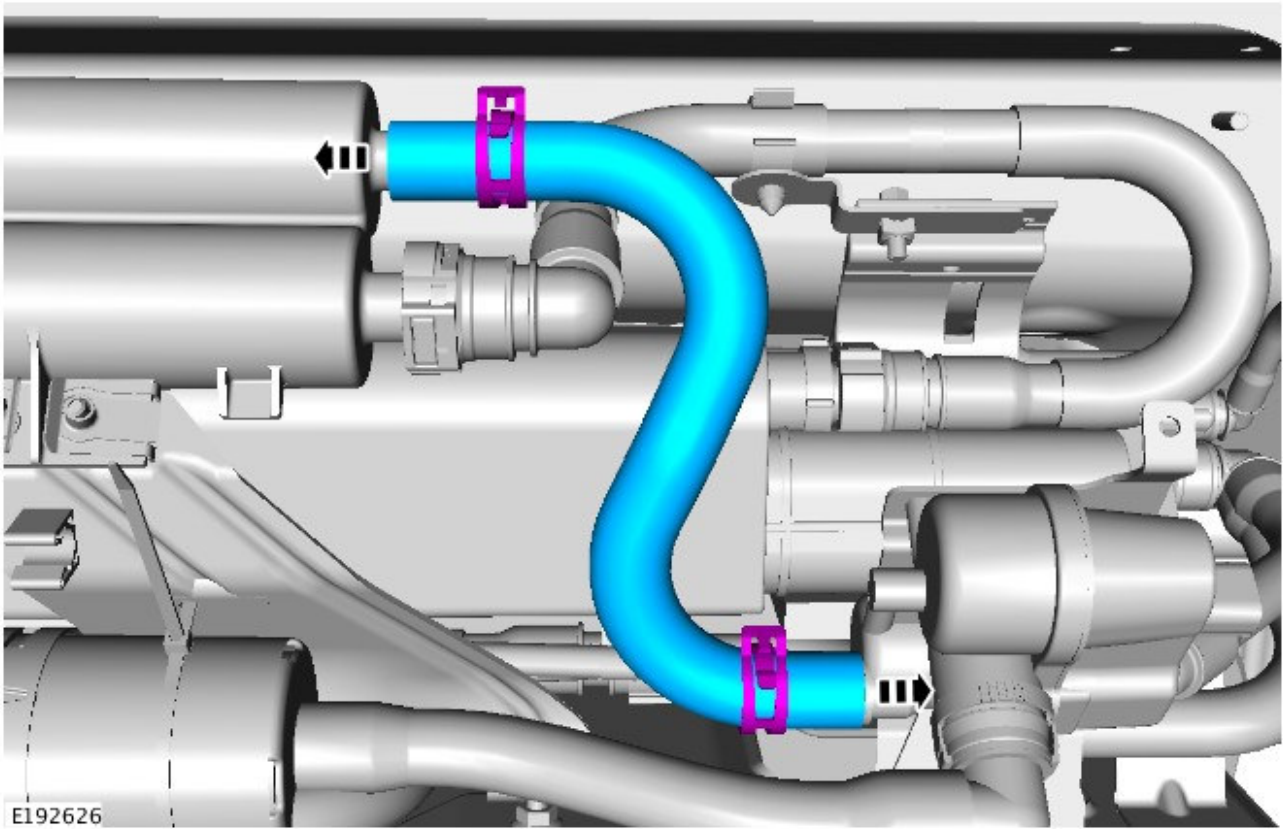
7.  **NOTE: The evaporative canister hose fasteners must be reused to install the new evaporative canister hose.**

Install the evaporative canister hose fasteners onto the new evaporative canister hose.

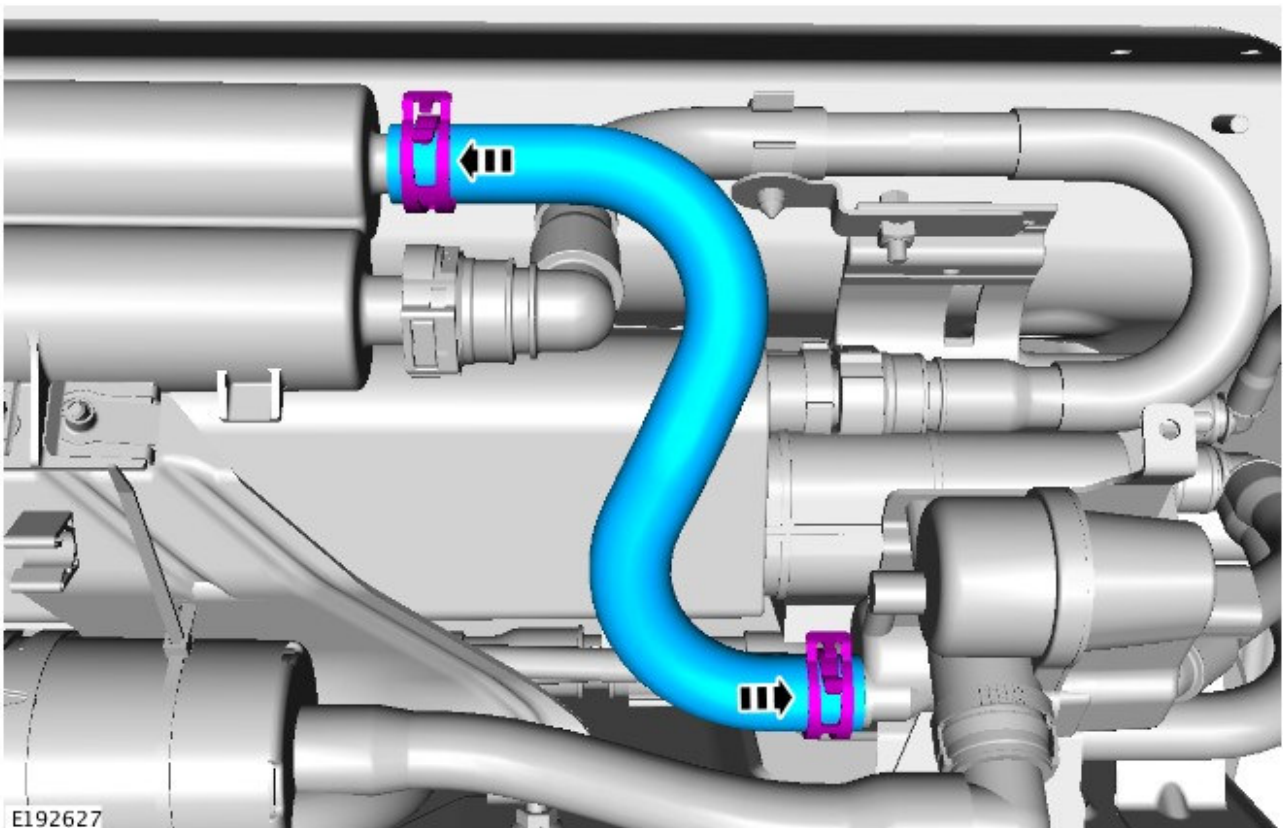
8.  **NOTE: The evaporative canister hose fasteners must be reused to install the new evaporative canister hose.**

Install the new evaporative canister hose using the original fasteners.

- Install the hose fasteners from the original hose onto the new hose.



9. Install the evaporative canister hose fasteners into their final position.



- 10.** Reverse the evaporative emissions canister access procedure (see TOPIx Workshop Manual section 303-13: Evaporative Emissions - Evaporative Emission Canister [steps 7-1]).
- 11.** Disconnect the diagnostic tool and battery power supply from the vehicle.