

# Technical Service Bulletin



## 42 Rear shock mounting noises

42 16 32 2042645/4 April 22, 2016. Supersedes Technical Service Bulletin Group 42 number 16-31 dated April 7, 2016 for reasons listed below.

Model(s)	Year	VIN Range	Vehicle-Specific Equipment
S3	2015 - 2016	All	With Audi magnetic ride

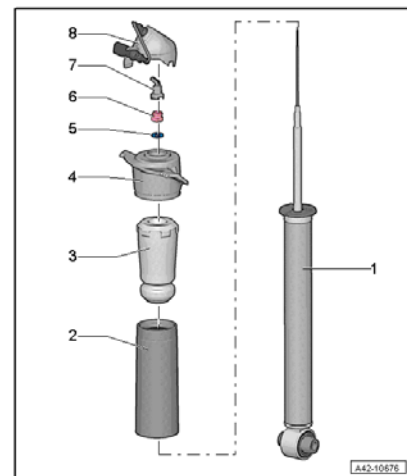
## Condition

REVISION HISTORY		
Revision	Date	Purpose
4	-	Revised <i>Warranty</i> (Updated labor operation)
3	04/07/2016	Revised header data (Updated factory codes)
2	01/21/2016	Revised header data (Updated customer codes)

- Customer may report hearing rumbling noises from the rear of the vehicle when driving on very uneven roads or over potholes.
- This bulletin only applies to S3 vehicles with Audi magnetic ride.

## Technical Background

The rear shock mounts are causing the noises (Figure 1).



**Figure 1.** Rear shock absorber assembly showing rear shock mount (point 4).

# Technical Service Bulletin



## Production Solution

Not applicable.

## Service

1. Verify that the noise is coming from the rear shock mounts.
2. Remove both rear shock assemblies and replace both rear shock mounts according to Elsa instructions.
3. Test drive to verify repair.

## Warranty

<b>Claim Type:</b>	Use applicable claim type. If vehicle is outside any warranty, this Technical Service Bulletin is informational only.		
<b>Service Number:</b>	4295		
<b>Damage Code:</b>	0020		
<b>Labor Operations:</b>	2 shock absorbers remove+reinstall	4293 2099	180 TU
	Remove and install 2 rear shock mounts	4295 2099	30 TU
	Battery charge	2706 8950	Time stated on diagnostic protocol (Max 10 TU)
<b>Diagnostic Time:</b>	GFF – Suspension: Adapt the control position	0150 0000	Time stated on diagnostic protocol (Max 30 TU)
	Road test prior to service procedure	0121 0002	10 TU
	Road test after service procedure	0121 0004	10 TU
	Technical diagnosis at dealer's discretion (Refer to Section 2.2.1.2 and Audi Warranty Online for DADP allowance details)		
<b>Claim Comment:</b>	As per TSB #2042645/4		

All warranty claims submitted for payment must be in accordance with the *Audi Warranty Policies and Procedures Manual*. Claims are subject to review or audit by Audi Warranty.

# Technical Service Bulletin



## Required Parts and Tools

Part Number	Part Description	Quantity
8V0 513 353	Shock absorber mounting	2
N 10628301	Bolt, hex. hd. with shoulder M12 x 1,5 x 90	2
N 90648402	Bolt, hex. hd. (combi.) M10 x 35	4

## Additional Information

All parts and service references provided in this TSB (2042645) are subject to change and/or removal. Always check with your Parts Department and service manuals for the latest information.