

TECHNICAL BULLETIN
JTB00493NAS2
15 JUL 2016



© Jaguar Land Rover North America, LLC

NOTE: The information in Technical Bulletins is intended for use by trained, professional Technicians with the knowledge, tools, and equipment required to do the job properly and safely. It informs these Technicians of conditions that may occur on some vehicles, or provides information that could assist in proper vehicle service. The procedures should not be performed by 'do-it-yourselfers'. If you are not a Retailer, do not assume that a condition described affects your vehicle. Contact an authorized Jaguar service facility to determine whether this bulletin applies to a specific vehicle.

This reissue replaces all previous versions. Please destroy all previous versions.

Changes are highlighted in gray

SECTION: 307-00

'Howl' Noise From Automatic Transmission Oil Cooler On Low-Speed Overrun

AFFECTED VEHICLE RANGE:

XE (X760)

Model Year: 2017
VIN: 942528-956079
Assembly Plant: Solihull

GTDi 2.0L Petrol/V6 S/C 3.0L Petrol , Vehicles With:
8HP70 8-Speed Automatic Transmission AWD/8HP45
8-Speed Automatic Transmission AWD/8HP45 8-Speed
Automatic Transmission RWD

XF (X260)

Model Year: 2016-2017
VIN: Y00461-Y36056
Assembly Plant: Castle Bromwich

V6 S/C 3.0L Petrol , Vehicles With: 8HP70 8-Speed
Automatic Transmission AWD/8HP45 8-Speed Automatic
Transmission AWD/8HP45 8-Speed Automatic
Transmission RWD

F-PACE (X761)

Model Year: 2017
VIN: 046303-065988
Assembly Plant: Solihull

V6 S/C 3.0L Petrol , Vehicles With: 8HP70 8-Speed
Automatic Transmission AWD/8HP45 8-Speed Automatic
Transmission AWD/8HP45 8-Speed Automatic
Transmission RWD

MARKETS:

NAS

CONDITION SUMMARY:

Situation: A 'howl' noise may be evident from the vehicle at low-speed overrun (between 1,800-1,100 RPM).

Cause: This may be caused by the automatic transmission oil cooler transmitting an oil flow noise through the front subframe which causes excessive Noise, Vibration and Harshness (NVH) into the cabin area.

Action: Should a customer express this concern, follow the Service Instruction below.

PARTS:

XR817826	Foam Pad	4
----------	----------	---

TOOLS:

Refer to Workshop Manual for any required special tools.

WARRANTY:

 **NOTE: Repair procedures are under constant review, and therefore times are subject to change; those quoted here must be taken as guidance only. Always refer to TOPIx to obtain the latest repair time.**

 **NOTE: DDW requires the use of causal part numbers. Labor only claims must show the causal part number with a quantity of zero.**

DESCRIPTION	SRO	TIME (HOURS)	CONDITION CODE	CAUSAL PART

Oil cooler bracket - NVH pad - Renew

44.91.46

0.5

42

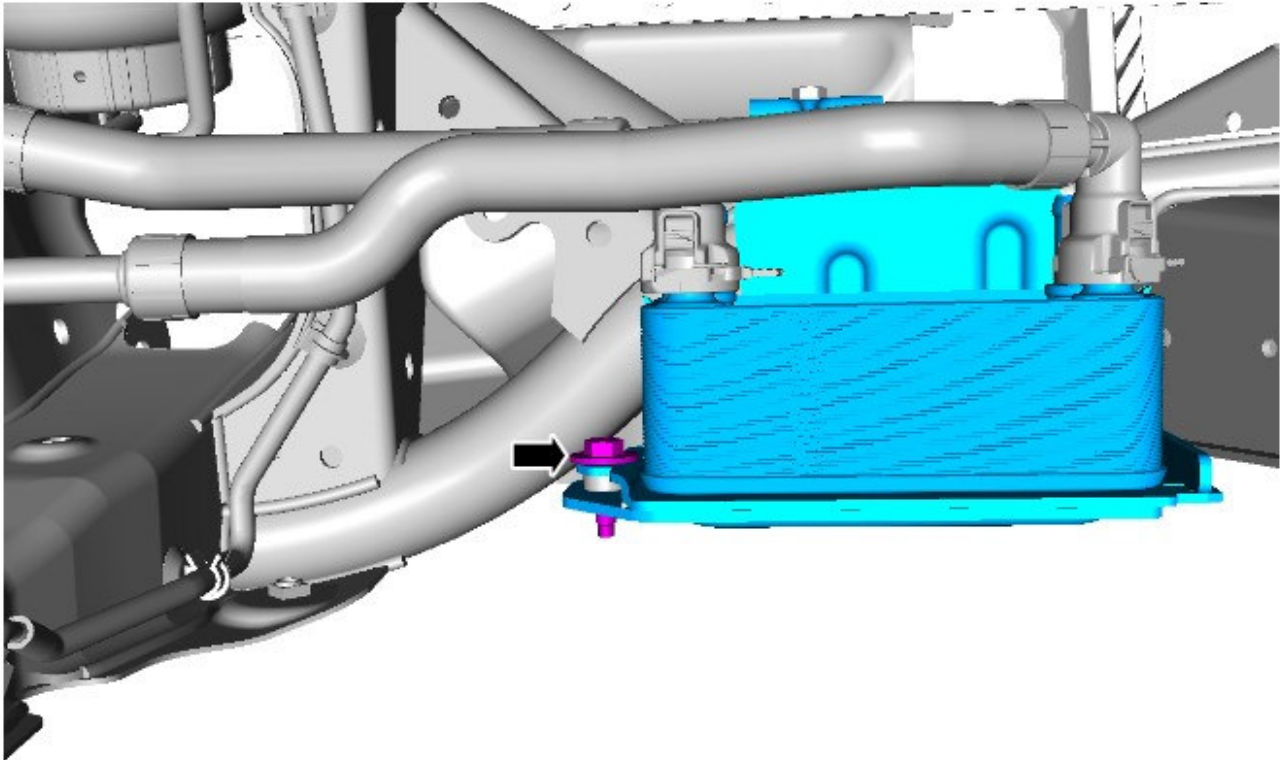
C2Z18818

 **NOTE: Normal Warranty procedures apply.**

SERVICE INSTRUCTION:

 **NOTE: Graphics may have parts removed for clarity.**

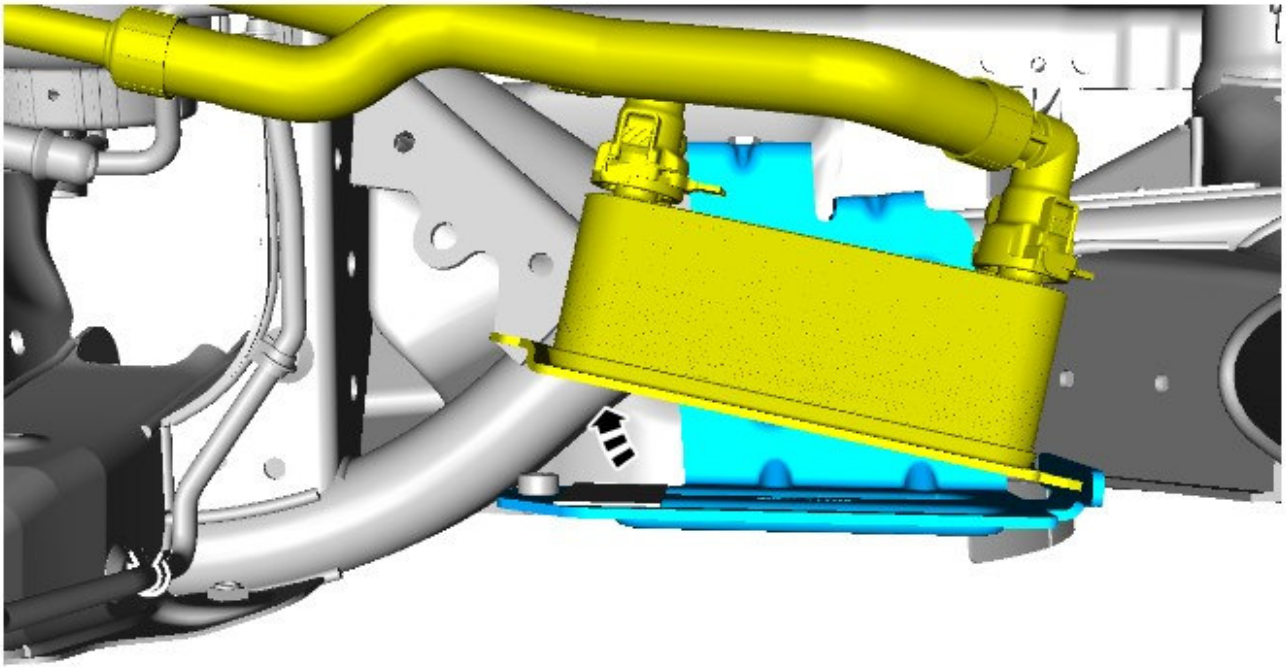
1. Remove the air deflector (see TOPIx Workshop Manual section 501-02: Front End Body Panels - Air Deflector).
2. Remove the bolt from the automatic transmission oil cooler bracket.



E191700

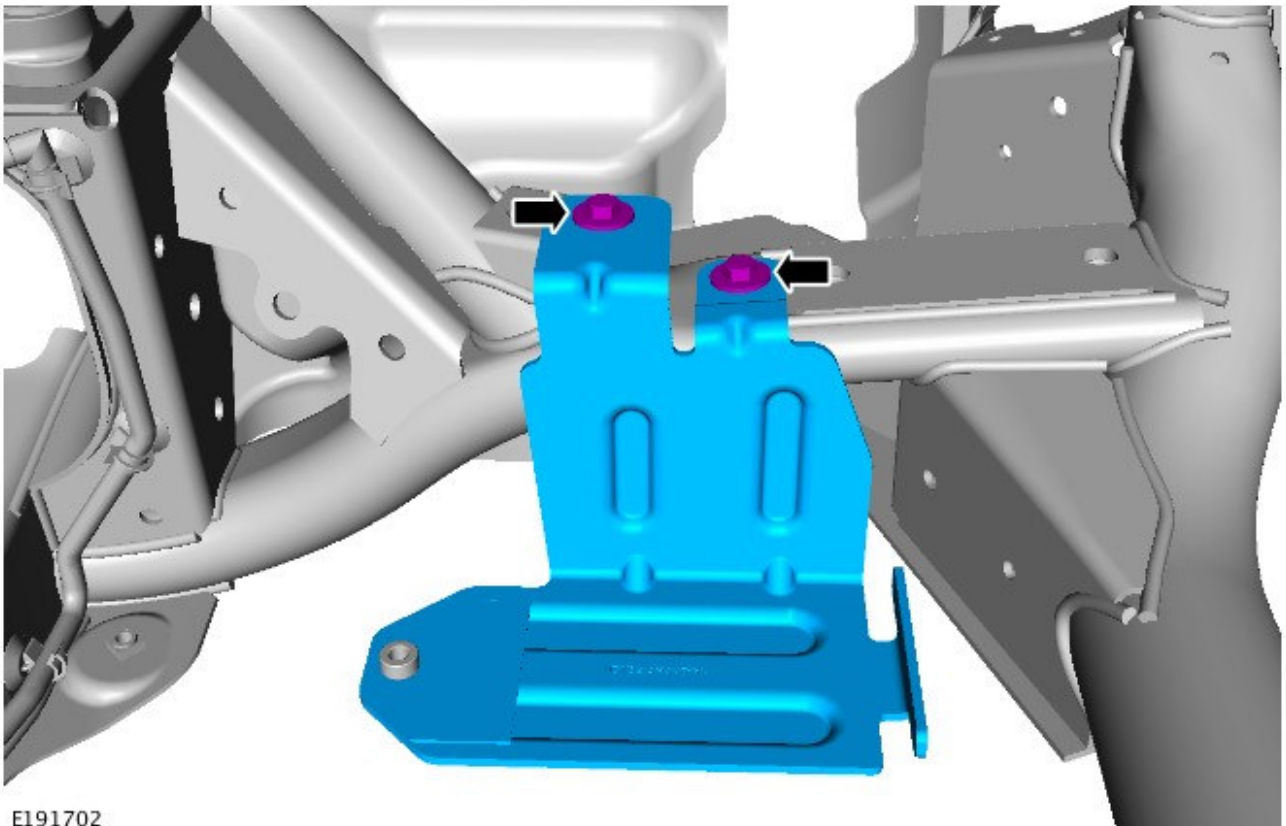
3.  **NOTE: Do not disconnect any coolant or oil pipe from the automatic transmission oil cooler.**

Position the automatic transmission oil cooler to one side.



E191701

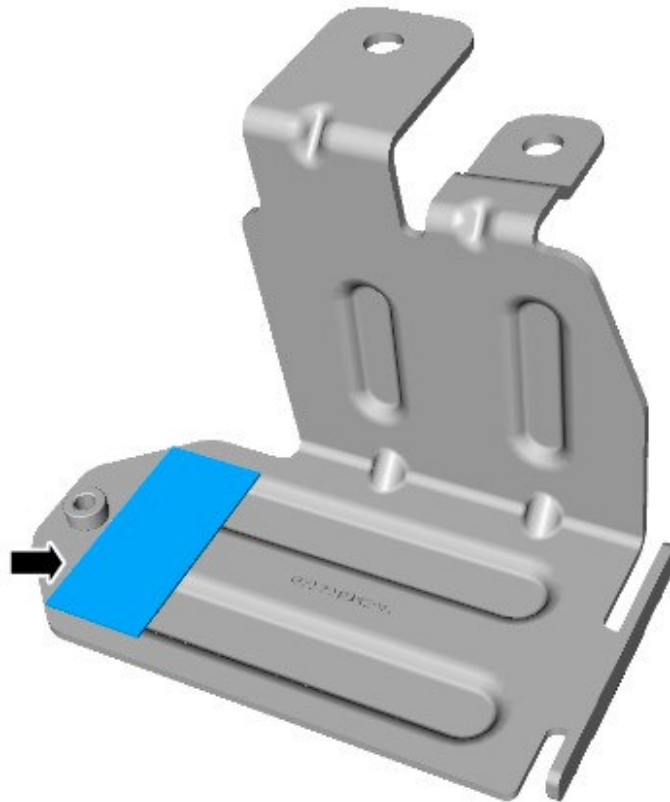
4. Remove the automatic transmission oil cooler bracket.



E191702

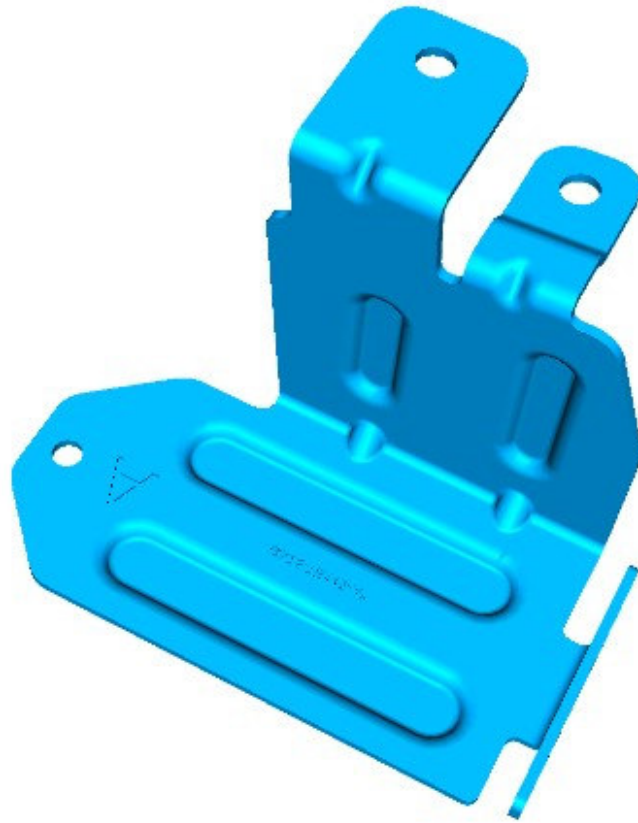
5.  **NOTE: If no NVH pad is fitted, go to the next step.**

Remove and discard the NVH pad from the automatic transmission oil cooler bracket.



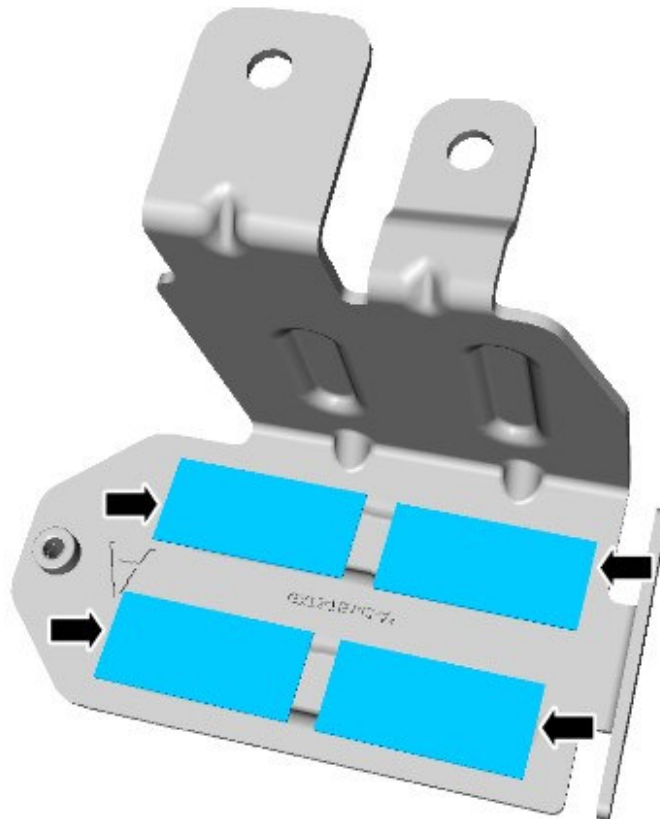
E191704

6. Clean the surface of the automatic transmission oil cooler bracket.



E191767

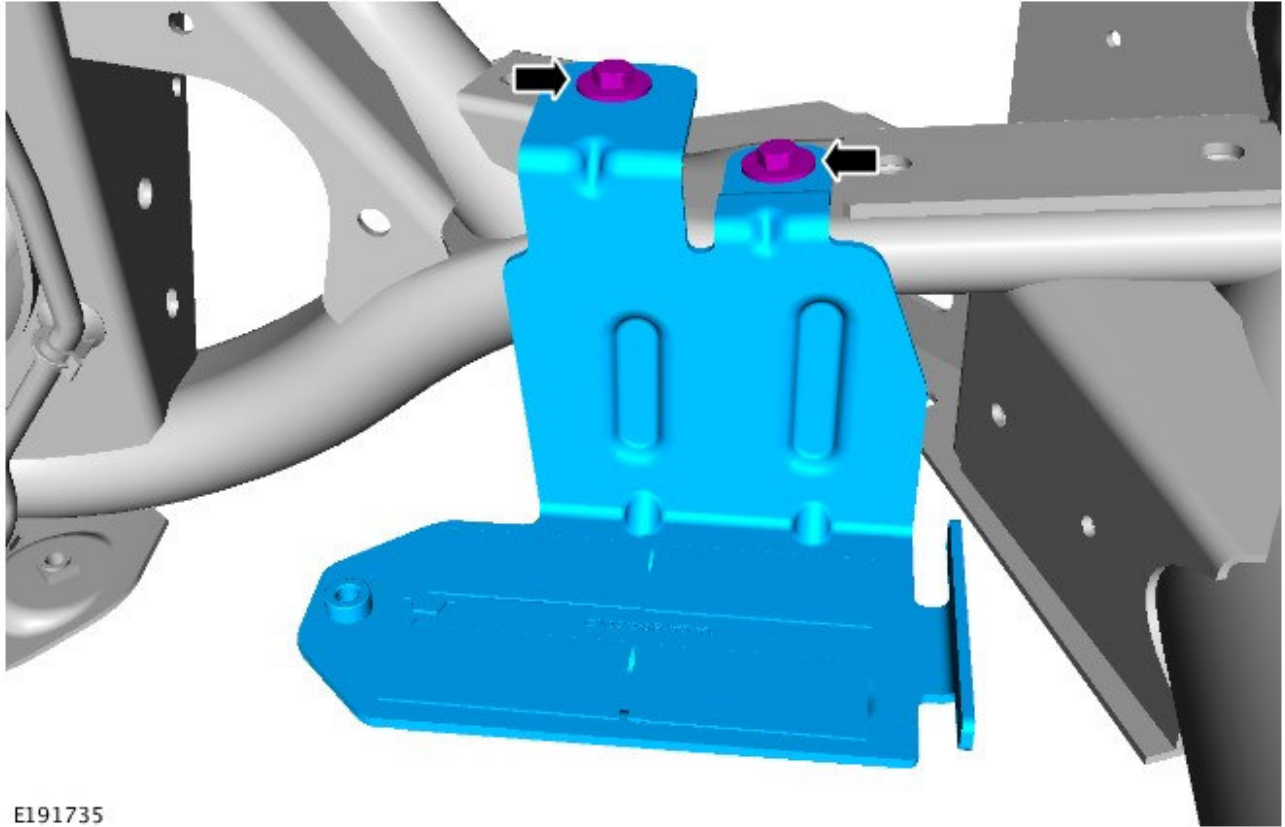
7. Install the new NVH pads as shown.



E191703

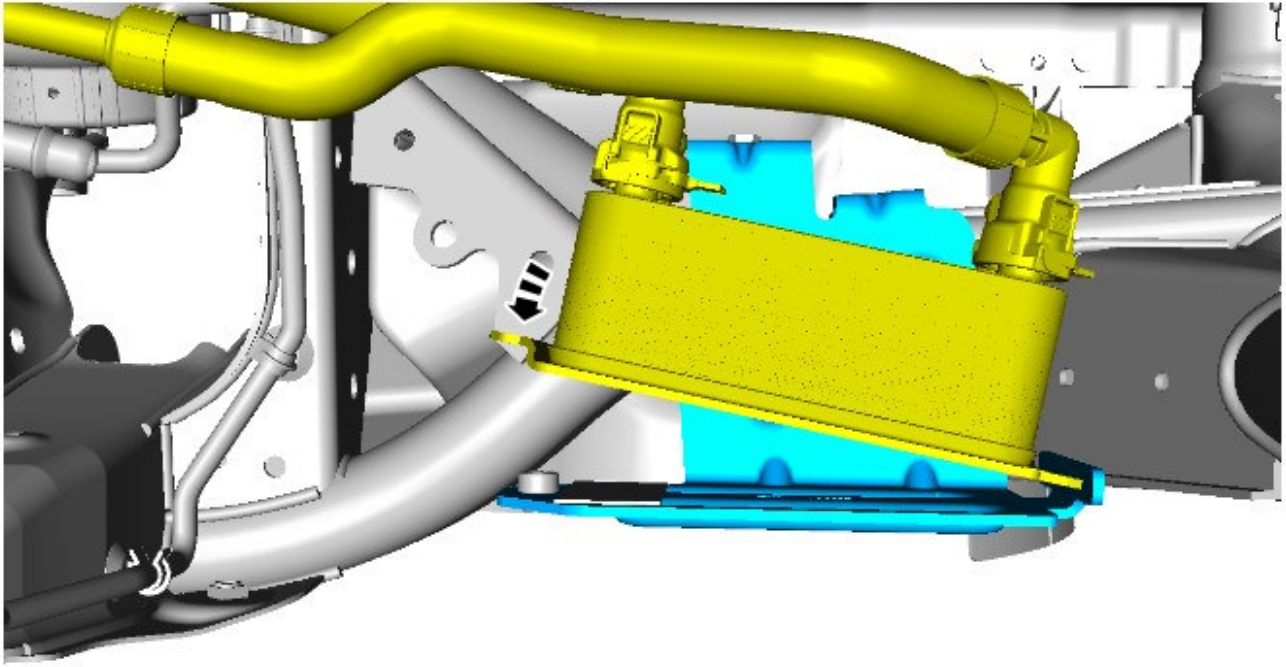
8.  **NOTE: Torque: 9 Nm +/- 1**

Install the automatic transmission oil cooler bracket.



E191735

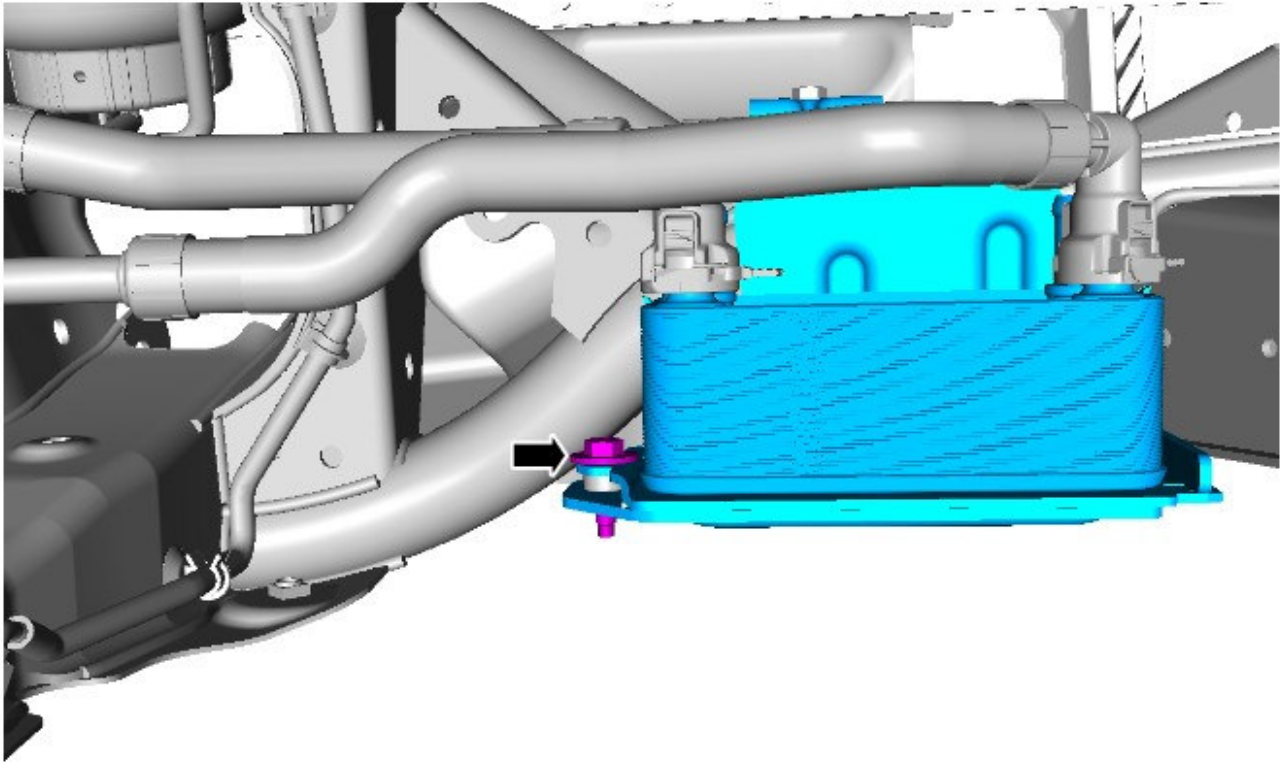
9. Install the automatic transmission oil cooler.



E191705

10.  **NOTE: Torque: 5 Nm**

Install the bolt to the transmission oil cooler bracket.



E191700

- 11.** Install the air deflector (see TOPIx Workshop Manual section 501-02: Front End Body Panels - Air Deflector).