

Technical Service Bulletin



46 Clicking noise from front brakes

46 16 40 2044669/1 July 12, 2016.

Model(s)	Year	VIN Range	Vehicle-Specific Equipment
A4	2017	All	Not Applicable

Condition

A clicking noise is heard from front brakes when the vehicle is being driven at low speeds (up to 10 mph) in either direction. For an example of the sound, see the video located at: <https://audi-external.kzoplatform.com/swf/player/322> (Figure 1).



Figure 1. QR code for viewing the video with a QR code reader on phones and tablets. Alternatively, the video can be accessed through computer internet browsers at the link provided in this bulletin.

Technical Background

The pads may be moving back and forth inside the caliper, which causes the noise.

Production Solution

Not applicable.

Service

Install new brake pads on both sides according to the instructions in the Elsa Repair Manual at: *Chassis>Brake System>46 Mechanical Components>Front Brakes>Brake Pads Removing and Installing, 1LC/1LD/1LE/1LF*. Read the following installation information before installing the new pads:

- The brake pistons must be clean. Brake cleaner can be used to clean the brake pistons. Ensure that the contact surfaces are free of dust and grease, and that they are dry (Figure 2).
- Only remove the protective paper from the adhesive foil on the brake pad (Figure 3) *immediately before* installation, and do not touch the adhesive surface.
- When installing the brake pads in the caliper, note that an arrow is printed on the pads to indicate the correct installation position in the caliper (Figure 4). The pads should be installed with the arrow following the forward rotation of the wheel.

! Note:

After installing the pads, keep full brake pressure for about five seconds to ensure that the pads are properly bonded to the pistons.

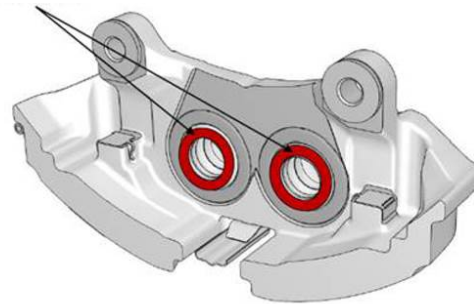


Figure 2. Contact surfaces of brake pistons.

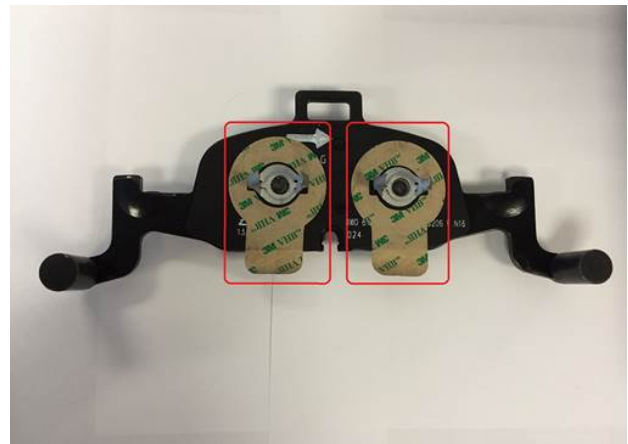


Figure 3. Protective paper to be removed immediately before installation.



Figure 4. Arrow showing correct installation direction.

Technical Service Bulletin



Warranty

Claim Type:	<ul style="list-style-type: none">• 110 up to 48/50• If vehicle is outside any warranty, this Technical Service Bulletin is informational only.		
Service Number:	4636		
Damage Code:	0010		
Labor Operations:	2 Brake pads, front remove+reinstall	4636 2050	50 TU
	2 Wheels remove+reinstall	4405 2000	20 TU
Diagnostic Time:	Road test prior to service procedure	0121 0002	10 TU
	Road test after service procedure	0121 0004	10 TU
	Technical diagnosis at dealer's discretion (Refer to Section 2.2.1.2 and Audi Warranty Online for DADP allowance details)		
Claim Comment:	As per TSB #2044669/1		

All warranty claims submitted for payment must be in accordance with the *Audi Warranty Policies and Procedures Manual*. Claims are subject to review or audit by Audi Warranty.

Required Parts and Tools

Part Number	Part Description	Quantity
8W0698151T	Set of front brake pads	1

Additional Information

All parts and service references provided in this TSB (2044669) are subject to change and/or removal. Always check with your Parts Department and service manuals for the latest information.