

Technical Service Bulletin



46 Q5 squealing from front brakes, 2.0T, & 3.2L (PR-1LA)

46 16 42 2033102/7 July 12, 2016. Supersedes Technical Service Bulletin Group 46 number 15-18 dated July 15, 2015 for reasons listed below.

Model(s)	Year	VIN Range	Vehicle-Specific Equipment
Q5	2009 - 2011	All	2.0 and 3.2 engines
Q5	2012	000001 - 140228	2.0 and 3.2 engines

Condition

REVISION HISTORY		
Revision	Date	Purpose
7	-	Revised <i>Service</i> (Updated embedding procedure)
6	7/15/2015	Revised header data (Corrected Elsa display issue)
5	6/29/2015	Revised header data (Updated applicable vehicles) Revised <i>Service</i> (Procedure updates)

Customer may complain about brakes squeak or squeal with light to moderate pedal pressure.

Technical Background

If any of the following conditions are present, this TSB does not apply.

1. Front brake discs or brake pads are close to their wear limit (disc wear limit: 28 mm and pads wear limit with backing plate and dampening late: 10 mm).
2. Foreign objects between brake disc and brake pad, such as small stones, grit, rust build-up, or sand.
4. Un-ground or corroded friction materials.
5. Metallic deposits from disc material in brake pad (Figure 1).



Figure 1. Metallic deposits.

Production Solution

Two unique improvements were released in two different model years.

Service

1. Use ETKA to verify the vehicle build date and the front brake PR code.
2. Use this data to determine which scenario applies to the vehicle to perform the correct repair.
Only one scenario can be applied to the vehicle.

Scenario A:

Cars built before June 20, 2011 with PR-1LA

Scenario B:

- Cars built before June 20, 2011 with PR-1ZB
- Cars built between June 20, 2011 and September 3, 2012 with PR-1LA

Scenario A:

1. Install parts kit part number **8R0698998A** according to Elsa.
2. Apply a thin coat of anti-seize (G 052560A2) lubricant to the guide pins of the front caliper carriers prior to installing the brake pads (Figure 2).

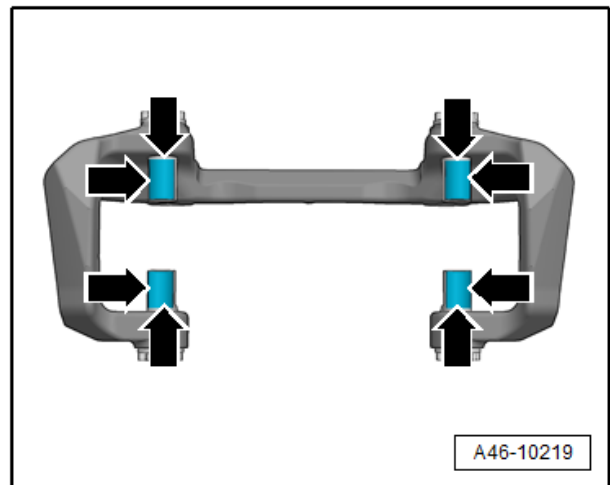


Figure 2. Caliper carrier guide pins with anti-seize (G 052560A2) lubricant applied where the pads make contact.

3. Follow all instructions in TSB 2011732: *00 Software Management (SVM), operating instructions*, to update the vehicles front brake PR code data using the SVM action code listed in the table below. Use Audi Flashing >> Software Version Management (SVM) >> SVM – Direct input: SVM code for vehicle conversion.

Models	Old front brake PR code	New front brake PR code	SVM Action Code
Q5 2.0T & 3.2L	PR-1LA	PR-1ZB	03A004



The change is necessary to ensure correct parts are installed during future brake service. This SVM code should only be performed for repairs listed in **Scenario A**. PR-1ZB indicates that **Scenario A** repairs were previously performed

Scenario B:

1. Apply a thin coat of anti-seize (G 052560A2) lubricant to the guide pins of the caliper carrier prior to installing the brake pads (Figure 2).

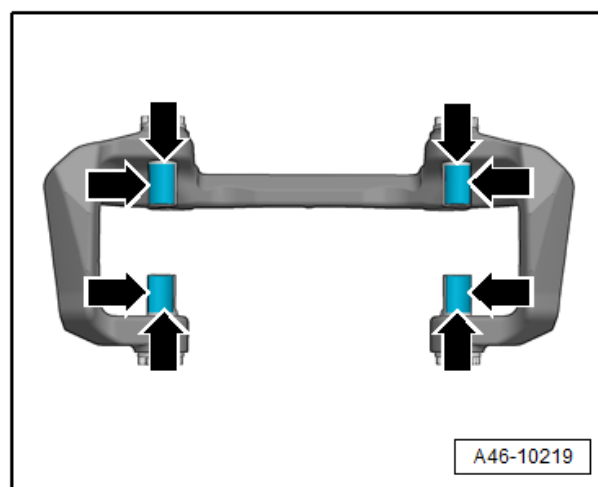



Figure 2. Caliper carrier guide pins with anti-seize (G 052560A2) lubricant applied where the pads make contact.

Brake embedding

1. Perform 10 stops from approximately 35 mph to 10 mph with medium pedal pressure.
2. Drive for approximately 2 minutes at approximately 40 mph without braking to allow the brakes to cool down.
3. Repeat steps 1 and 2 if necessary.

 **Note:** Do not perform ABS stops as a way of embedding the brakes. Brake pads and discs may be permanently damaged.

If the vehicle still exhibits brake noise after all the repairs stated above have been accurately performed:

- Obtain a sound recording, create a TAC ticket, and attach the sound recording.
- Do not open a TAC ticket without a sound recording.

Technical Service Bulletin



Warranty

There must be an original customer complaint of the specified symptom on the repair order for this Technical Service Bulletin to apply. Adding this procedure on to a different service is not permitted.

Claim Type:	<ul style="list-style-type: none"> • 110 up to 48/50 • If vehicle is outside any warranty, this Technical Service Bulletin is informational only. 		
Service Number:	4617		
Damage Code:	0020		
Labor Operations:	Scenario A		
	2 Wheels remove and reinstall	4405 2000	20 TU
	2 Brake pads, front remove and Reinstall Includes replacing 2 caliper carriers, cleaning guide pins and applying G 52560A2	4636 2050	50 TU
	2 Front brake disc remove and Reinstall Includes front brake caliper loosened and fastened	4650 2050	40 TU
	SVM update	0150 0000	Time stated on diagnostic protocol (Max 30 TU)
	Scenario B		
	2 Wheels remove and reinstall	4405 2000	20 TU
	Front brake calipers separated from caliper carriers to clean guide pins and apply G 052560A2	4739 2099	40 TU
	Diagnostic Time:	Road test prior to service procedure	0121 0002
Road test after service procedure		0121 0004	10 TU
Technical diagnosis at dealer's discretion (Refer to Section 2.2.1.2 and Audi Warranty Online for DADP allowance details)			
Claim Comment:	As per TSB #2033102/7		

All warranty claims submitted for payment must be in accordance with the *Audi Warranty Policies and Procedures Manual*. Claims are subject to review or audit by Audi Warranty.

Technical Service Bulletin



Required Parts and Tools

Part Number	Part Description	Quantity
G 052560A2	Anti-seize lubricant	0.10
8R0698998A	Q5 Parts Kit (parts listed below are included in the kit)	1
	<input type="checkbox"/> Set of brake pads with wear indicator (1 set) <input type="checkbox"/> Front brake discs (x2) <input type="checkbox"/> Brake carriers (x2) <input type="checkbox"/> Hex. collar bolts (x4) <input type="checkbox"/> Hexagonal countersunk screws (x2)	Included in kit

Additional Information

The following Technical Service Bulletin(s) will be necessary to complete this procedure:

- TSB 2011732 *00 Software Management (SVM), operating instructions.*

All parts and service references provided in this TSB (2033102) are subject to change and/or removal. Always check with your Parts Department and service manuals for the latest information.