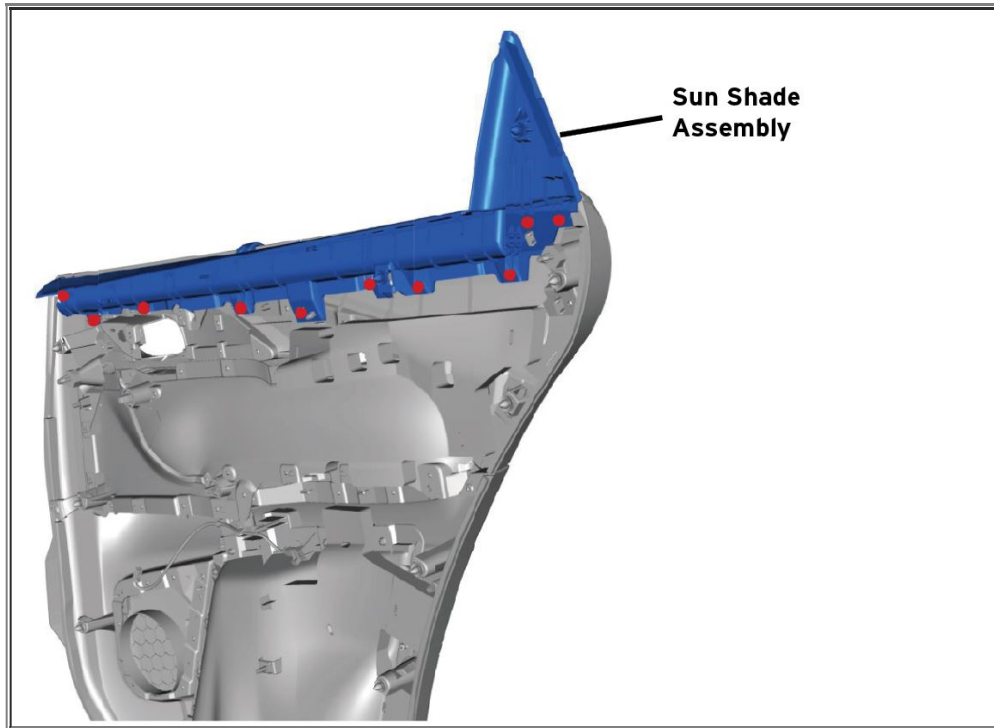


## 2016 CX-9 Rear Sun Shade Will Not Retract

Some customers may complain about a rear sun shade that does not retract. This may be caused by a sun shade that is in the lock position (lock pin is pushed in).



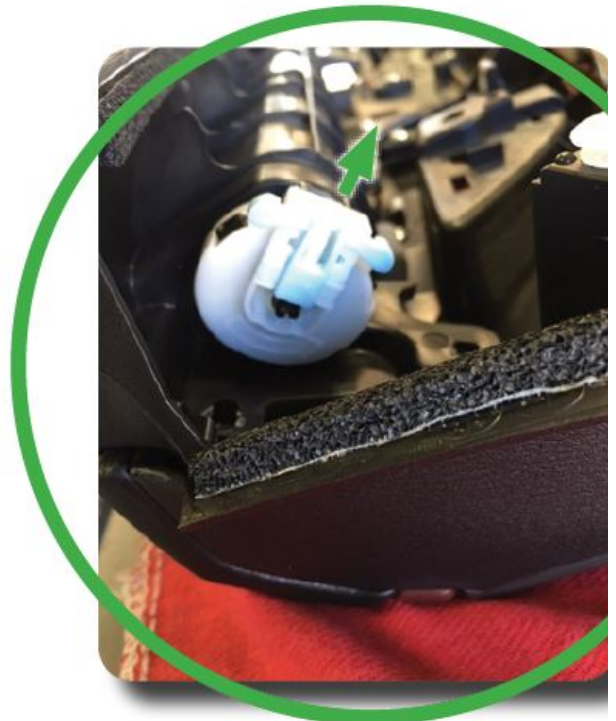
Remove the rear door trim to gain access to the sun shade assembly. Pull the lock pin out to unlock the sun shade.

**NG**



**Sun shade is in the locked position**

**OK**



**Sun shade is in the unlocked position**