



SERVICE CAMPAIGN BULLETIN

Reference:

NTB16-080

Date:

August 23, 2016

VOLUNTARY SERVICE CAMPAIGN 2016 TITAN XD; SPLASH GUARDS

CAMPAIGN ID #: PC434

APPLIED VEHICLES: 2016 Titan XD (A61)

Check Service COMM to confirm campaign eligibility.

INTRODUCTION

Nissan is conducting this voluntary service campaign on certain specific 2016 Titan XD vehicles to install splash guards that should have been installed on the vehicle from the factory, but were not. This service will be performed at no charge to the customer for parts or labor.

IDENTIFICATION NUMBER

Nissan has assigned identification number PC434 to this campaign. This number must appear on all communications and documentation of any nature dealing with this campaign.

DEALER RESPONSIBILITY

Dealers are to repair vehicles falling within range of this campaign that enter the service department. This includes vehicles purchased from private parties, vehicles presented by transient (tourists) owners, and vehicles in a dealer's inventory.

Nissan Bulletins are intended for use by qualified technicians, not 'do-it-yourselfers'. Qualified technicians are properly trained individuals who have the equipment, tools, safety instruction, and know-how to do a job properly and safely. NOTE: If you believe that a described condition may apply to a particular vehicle, DO NOT assume that it does. See your Nissan dealer to determine if this applies to your vehicle.

SERVICE PROCEDURE

1. Apply the parking brake.
2. Install splash guards using the installation instructions in this bulletin.
 - Order required parts using the Parts Information below.
 - Use the For Trim Level column in the Parts Information to select the correct splash guards.

- With Over Fender:
 - Front installation instructions starting on page 3.
 - Rear installation instructions starting on page 6.



Figure A

- Without Over Fender:
 - Front installation instructions starting on page 9.
 - Rear installation instructions starting on page 12.



Figure B

PARTS INFORMATION

DESCRIPTION	FOR TRIM LEVEL	PART NUMBER	QUANTITY
Splash Guard - Front (with over fender)	Platinum Reserve, SL, and Pro-4X	999J2-W4003	1
Splash Guard - Rear (with over fender)		999J2-W4004	1
Splash Guard - Front (without over fender)	S and SV	999J2-W4103	1
Splash Guard – Rear (without over fender)		999J2-W4104	1

Front Splash Guard With Over Fender



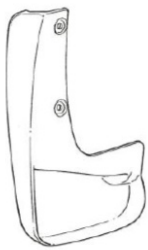
GENUINE PARTS

INSTALLATION INSTRUCTIONS

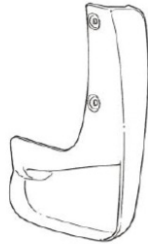
DESCRIPTION:	Splash Guard-Front
APPLICATION:	Titan, with over fender
PART NUMBER:	999J2 W4003
KIT CONTENTS:	

Order parts using the Parts Information on page 2. These part numbers are for installation instruction reference only.

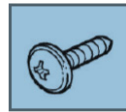
Item	Qty.	Part Description	Service Part Number
A	1	Splash Guard - Front Right	999J2 W4006
B	1	Splash Guard - Front Left	999J2 W4005
C	6	Philips Head Screw - 20mm	14-51 00891
D	1	Installation Instruction Replacement Template	N/A



A



B



C



D

TOOLS REQUIRED:

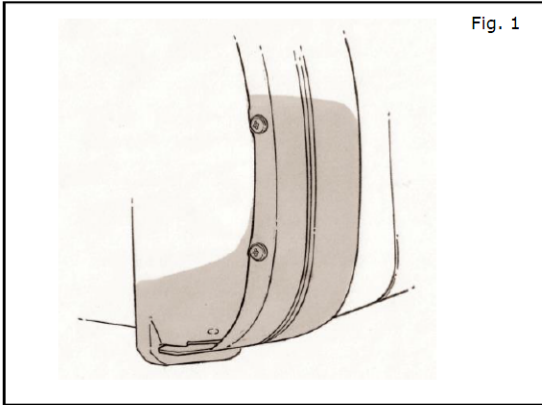
- clean rag
- soap & water
- #2 phillips screw driver

PRE-INSTALLATION WARNINGS, CAUTIONS, CRITICAL STEPS, and NOTES:

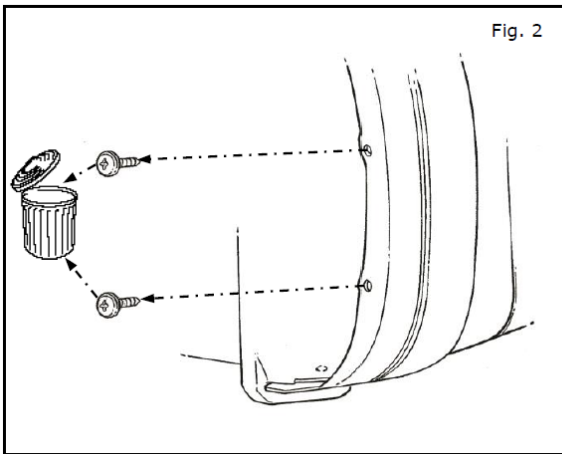
- These installation instructions are for the left side of the vehicle; the same procedure applies to the right side.
- Dealer Installation Recommended.
- Parts to be installed at room temperature.

Front Splash Guard With Over Fender – continued

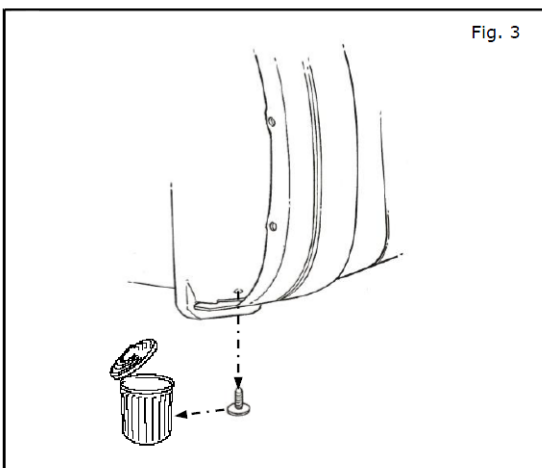
INSTALLATION PROCEDURE:



1) Clean shaded area with soap and water mixture and dry.



2) Remove existing screws - 15mm and discard.

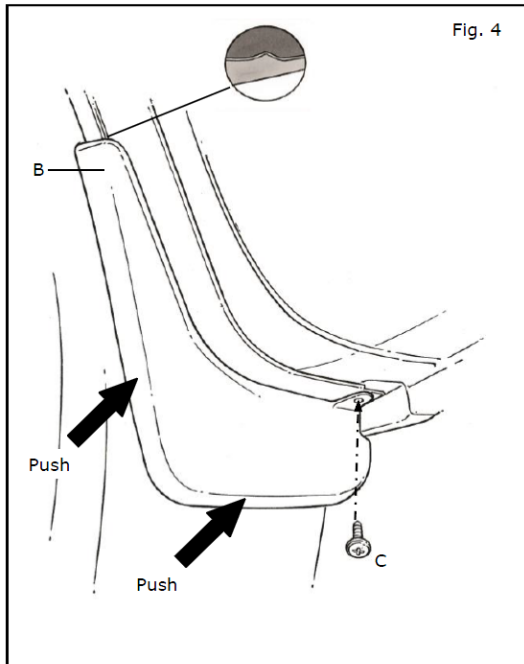


3) Remove existing lower screw - 15mm and discard.

2 of 3

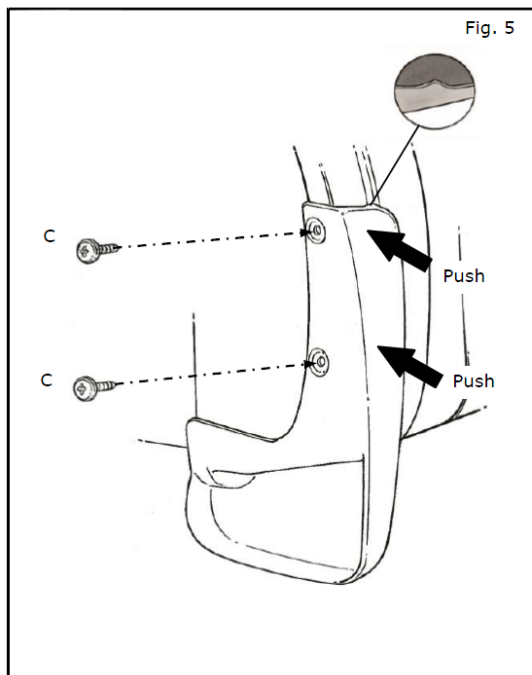
Front Splash Guard With Over Fender – continued

INSTALLATION PROCEDURE: (continue)



- 4) Align front splash guard to vehicle.
- 5) Hold splash guard up and into vehicle and install supplied screw - 20mm (C) in lower mount tab hole and tighten.

NOTE:
Do not over tighten screw. Reference Tighten Torque: 3.8~4.4N-m {34~39 in-lb}



- 6) Install supplied screws - 20mm (C) in middle then top hole, push up and into vehicle while tightening.

NOTE:
Do not over tighten screw. Reference Tighten Torque: 3.8~4.4N-m {34~39 in-lb}

Rear Splash Guard With Over Fender



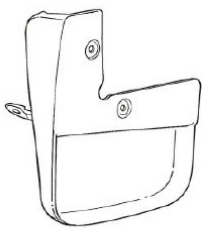
GENUINE PARTS

INSTALLATION INSTRUCTIONS

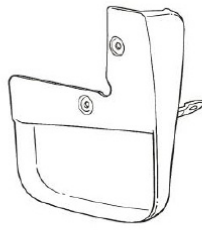
DESCRIPTION: Splash Guard-Rear
APPLICATION: Titan, with over fender
PART NUMBER: 999J2 W4004
KIT CONTENTS:

Order parts using the Parts Information on page 2. These part numbers are for installation instruction reference only.

Item	Qty.	Part Description	Service Part Number
A	1	Splash Guard - Rear Right	999J2 W4008
B	1	Splash Guard - Rear Left	999J2 W4007
C	2	Grommet	12-81 00441
D	6	Philips Head Screw - 20mm	14-51 00891
E	1	Installation Instruction Replacement Template	N/A



A



B



C



D



E

TOOLS REQUIRED:

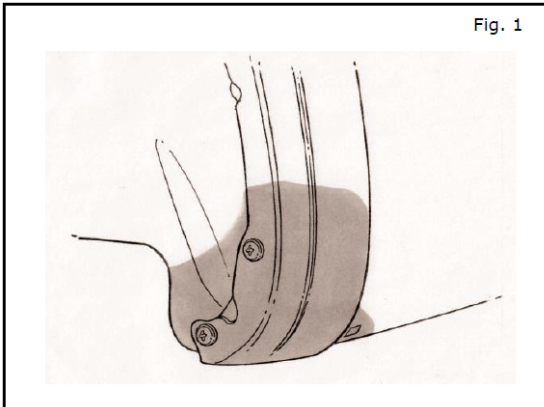
- clean rag
- soap & water
- #2 phillips screw driver

PRE-INSTALLATION WARNINGS, CAUTIONS, CRITICAL STEPS, and NOTES:

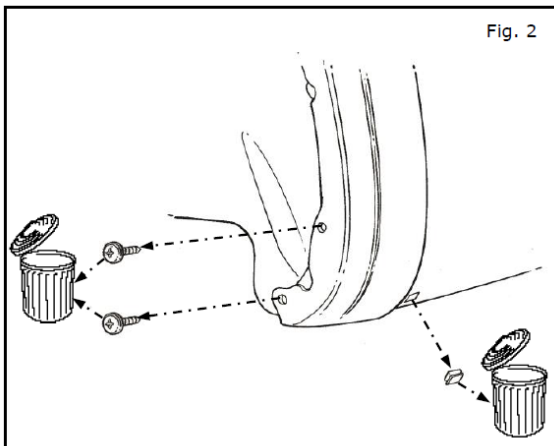
- These installation instructions are for the left side of the vehicle; the same procedure applies to the right side.
- Dealer Installation Recommended.
- Parts to be installed at room temperature.

Rear Splash Guard With Over Fender – continued

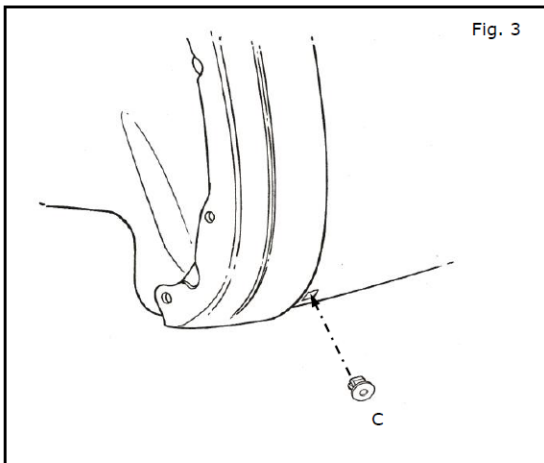
INSTALLATION PROCEDURE:



- 1) Clean shaded area with soap and water mixture and dry.



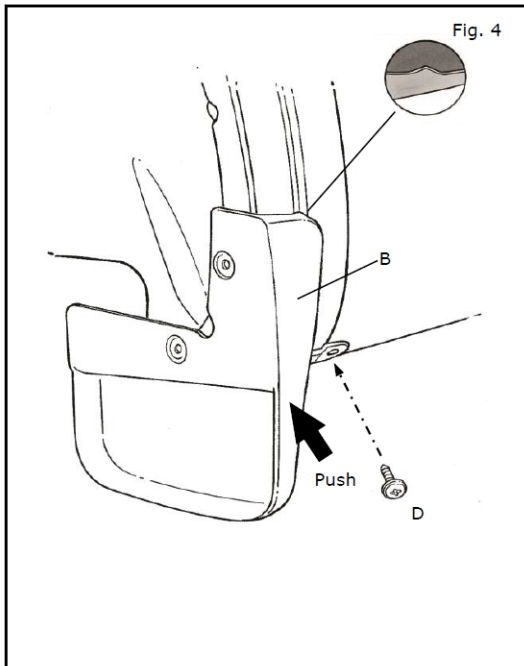
- 2) Remove existing screws -15mm and hole plug and discard.



- 3) Install supplied grommet (C).

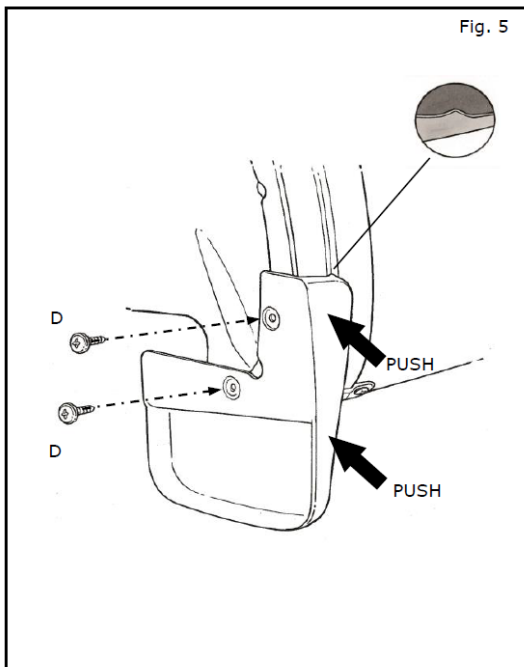
Rear Splash Guard With Over Fender – continued

INSTALLATION PROCEDURE: (continue)



- 4) Align front splash guard to vehicle.
- 5) Hold splash guard up and into vehicle and install supplied screw - 20 mm (D) in lower mount tab hole and tighten.

NOTE:
Do not over tighten screw. Reference Tighten Torque: 3.8~4.4N-m {34~39 in-lb}



- 6) Install supplied screws - 20mm (D) in middle then top hole, push up and into vehicle while tightening.

NOTE:
Do not over tighten screw. Reference Tighten Torque: 3.8~4.4N-m {34~39 in-lb}

Front Splash Guard Without Over Fender



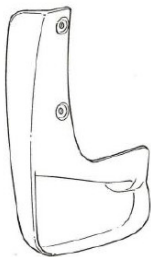
GENUINE PARTS

INSTALLATION INSTRUCTIONS

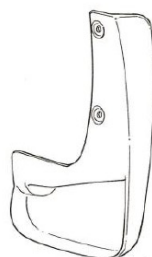
DESCRIPTION:	Splash Guard-Front
APPLICATION:	Titan, without over fender
PART NUMBER:	999J2 W4103
KIT CONTENTS:	

Order parts using the Parts Information on page 2. These part numbers are for installation instruction reference only.

Item	Qty.	Part Description	Service Part Number
A	1	Splash Guard - Front Right	999J2 W4106
B	1	Splash Guard - Front Left	999J2 W4105
C	6	Phillips Head Screw - 20mm	14-51 00891
D	1	Installation Instruction Replacement Template	N/A



A



B



C



D

TOOLS REQUIRED:

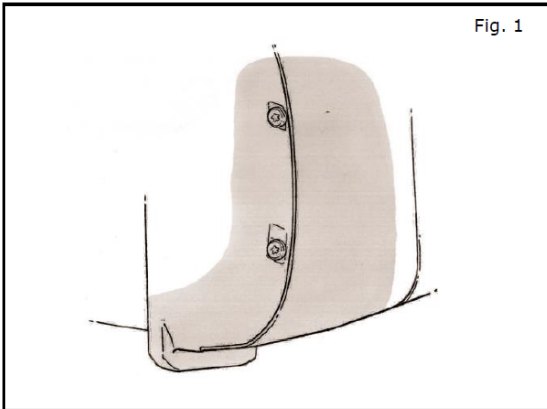
- clean rag
- soap & water
- #2 phillips screw driver

PRE-INSTALLATION WARNINGS, CAUTIONS, CRITICAL STEPS, and NOTES:

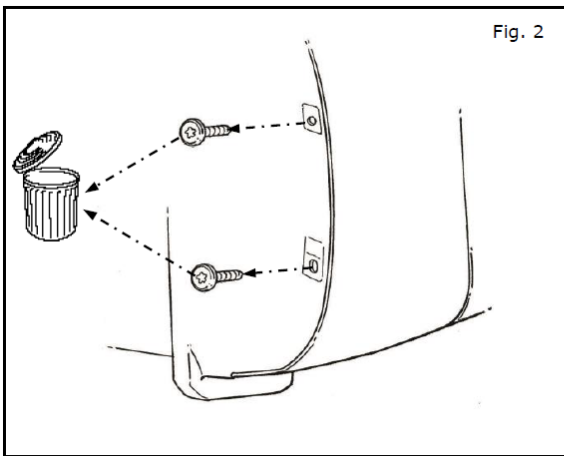
- These installation instructions are for the left side of the vehicle; the same procedure applies to the right side.
- Dealer Installation Recommended.
- Parts to be installed at room temperature.

Front Splash Guard Without Over Fender – continued

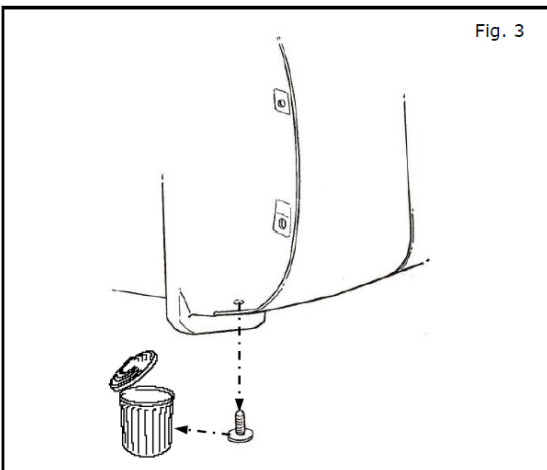
INSTALLATION PROCEDURE:



1) Clean shaded area with soap and water mixture and dry.



2) Remove existing screws - 15mm and discard.

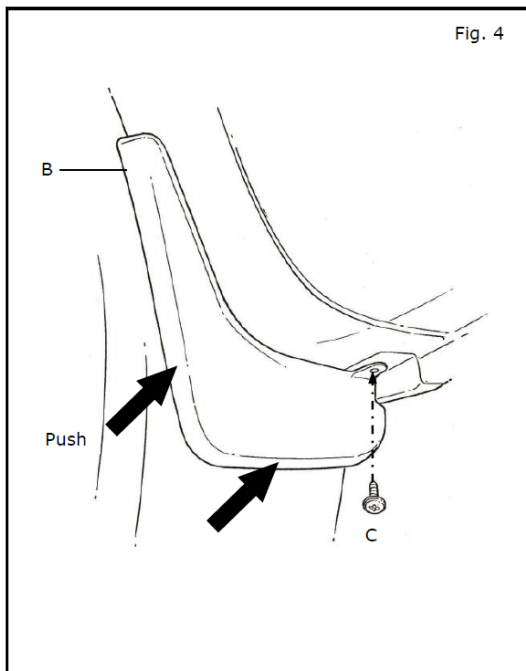


3) Remove existing lower screw - 15mm and discard.

2 of 3

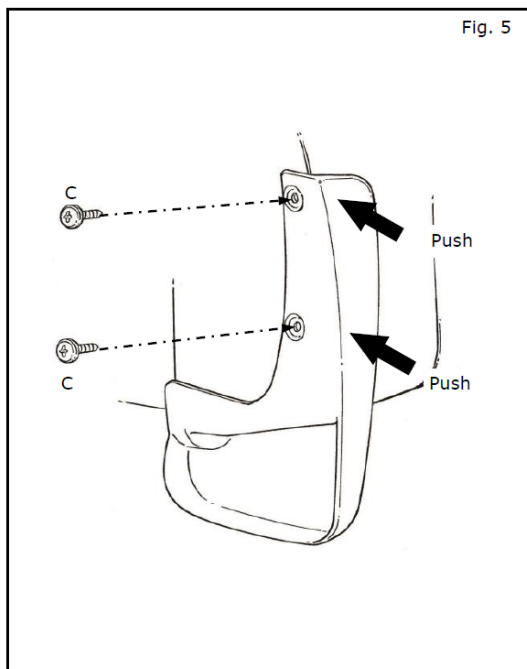
Front Splash Guard Without Over Fender – continued

INSTALLATION PROCEDURE: (continue)



- 4) Align front splash guard to vehicle.
- 5) Hold splash guard up and into vehicle and install supplied screw- 20mm (C) in lower mount tab hole and tighten.

NOTE:
Do not over tighten screw. Reference Tighten Torque: 3.8~4.4N-m {34~39 in-lb}



- 6) Install supplied screws - 20mm (C) in middle then top hole, push up and into vehicle while tightening.

NOTE:
Do not over tighten screw. Reference Tighten Torque: 3.8~4.4N-m {34~39 in-lb}

Rear Splash Guard Without Over Fender



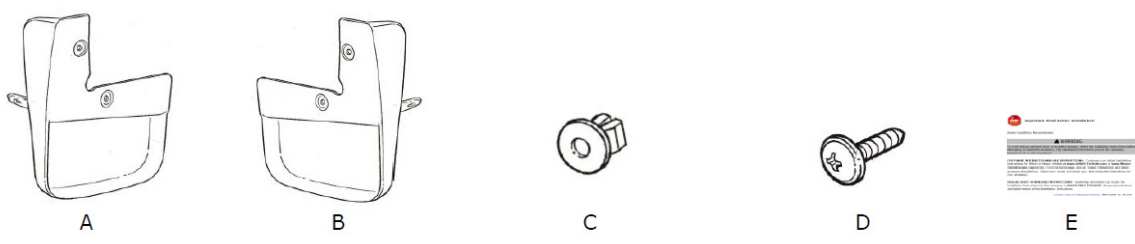
GENUINE PARTS

INSTALLATION INSTRUCTIONS

DESCRIPTION:	Splash Guard-Rear
APPLICATION:	Titan, without over fender
PART NUMBER:	999J2 W4104
KIT CONTENTS:	

Order parts using the Parts Information on page 2. These part numbers are for installation instruction reference only.

Item	Qty.	Part Description	Service Part Number
A	1	Splash Guard - Rear Right	999J2 W4108
B	1	Splash Guard - Rear Left	999J2 W4107
C	2	Grommet	12-81 00441
D	6	Philips Head Screw - 20mm	14-51 00891
E	1	Installation Instruction Replacement Template	N/A

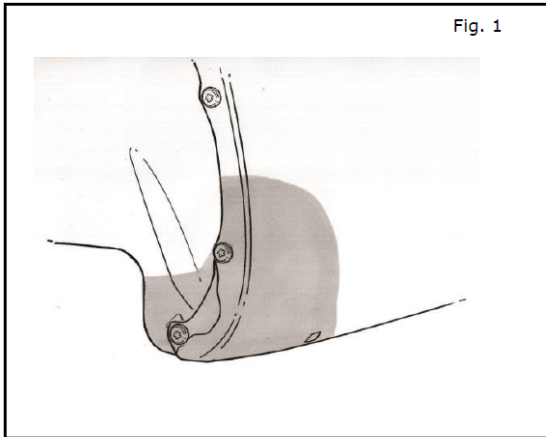


- TOOLS REQUIRED:**
- clean rag
 - soap & water
 - #2 phillips screw driver

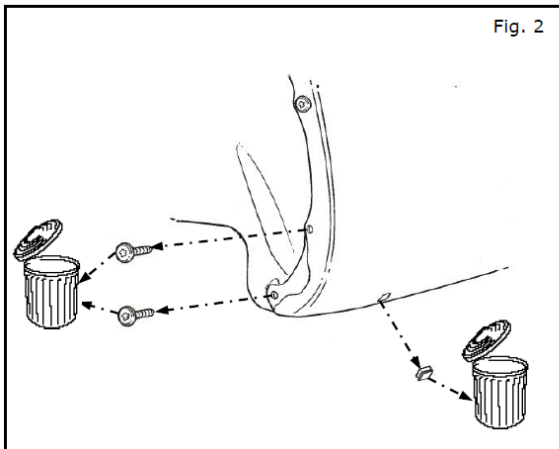
- PRE-INSTALLATION WARNINGS, CAUTIONS, CRITICAL STEPS, and NOTES:**
- These installation instructions are for the left side of the vehicle; the same procedure applies to the right side.
 - Dealer Installation Recommended.
 - Parts to be installed at room temperature.

Rear Splash Guard Without Over Fender – continued

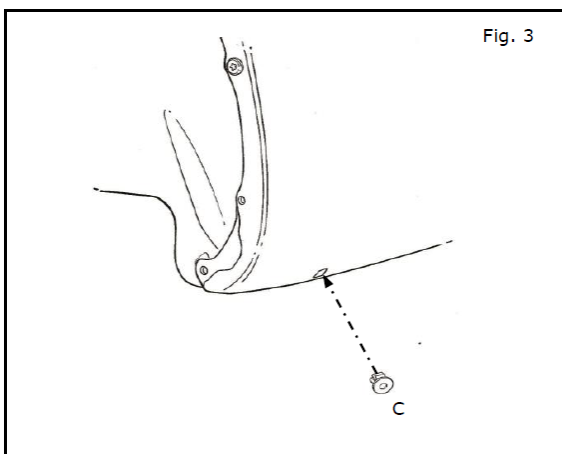
INSTALLATION PROCEDURE:



1) Clean shaded area with soap and water mixture and dry.



2) Remove existing screws -15mm and hole plug and discard.

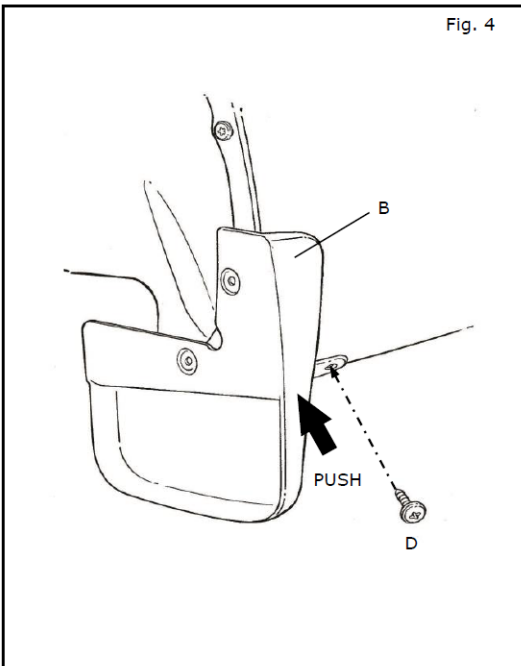


3) Install supplied grommet (C) .

2 of 3

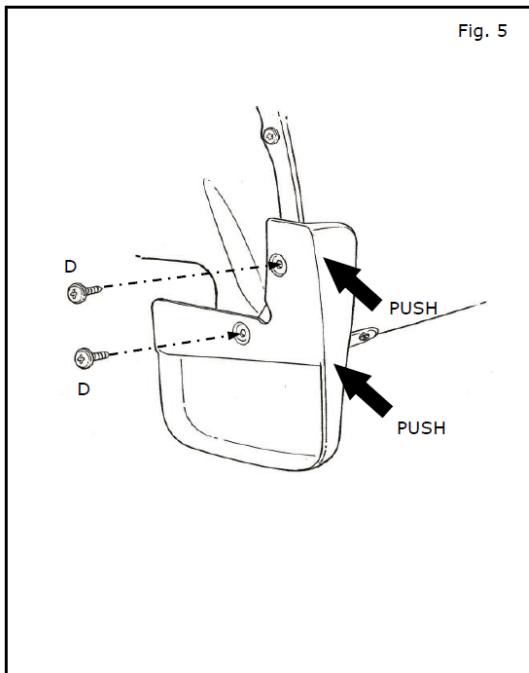
Rear Splash Guard Without Over Fender – continued

INSTALLATION PROCEDURE: (continue)



- 4) Align rear splashguard to vehicle.
- 5) Hold splash guard up and into vehicle and install supplied screw - 20mm (D) in lower mount tab and tighten.

NOTE:
Do not over tighten screw. Reference Tighten Torque: 3.8~4.4N-m {34~39 in-lb}



- 6) Install supplied screws - 20mm (D) in middle then top hole, push up and into vehicle while tightening.

NOTE:
Do not over tighten screw. Reference Tighten Torque: 3.8~4.4N-m {34~39 in-lb}

CLAIMS INFORMATION

Submit a Campaign (CM) line claim using the following claims coding:

CAMPAIGN (CM) I.D. #	DESCRIPTION	OP CODE	FRT
PC434	Install splash Guards (both sides, front and rear)	PC4340	0.8 hrs.

