



Technical Service Bulletin

SUBJECT:		No: TSB-16-51-002	
LIFTGATE GARNISH REMOVAL & INSTALLATION PROCEDURE – SERVICE MANUAL REVISION		DATE: October, 2016	
		MODEL: 2016 Outlander	
CIRCULATE TO:	<input type="checkbox"/> GENERAL MANAGER	<input checked="" type="checkbox"/> PARTS MANAGER	<input checked="" type="checkbox"/> TECHNICIAN
<input checked="" type="checkbox"/> SERVICE ADVISOR	<input checked="" type="checkbox"/> SERVICE MANAGER	<input type="checkbox"/> WARRANTY PROCESSOR	<input type="checkbox"/> SALES MANAGER

PURPOSE

This TSB updates the Exterior section of the affected Service Manuals to add a step to Liftgate Garnish removal and installation.

AFFECTED VEHICLES

- 2016 Outlander

AFFECTED SERVICE MANUALS

2016 Outlander Service Manual, Group 51 – Exterior → Liftgate Garnish.



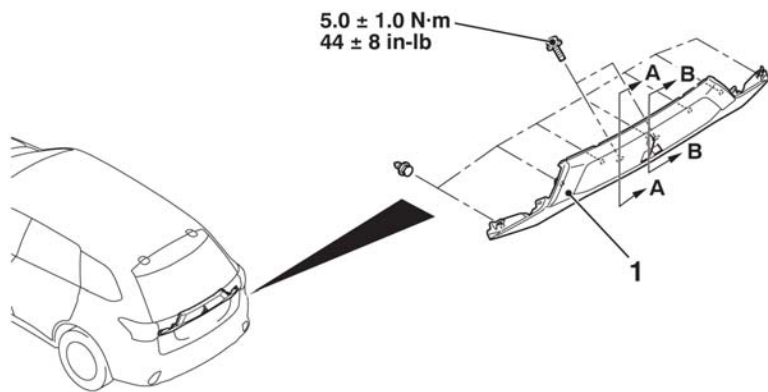
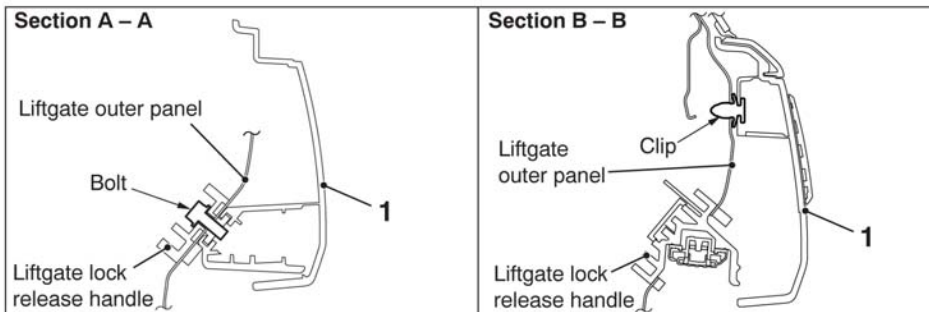
Please make the indicated changes to the 2016 Outlander Service Manual, Group 51 – Exterior –> Liftgate Garnish –> Removal and Installation.

LIFTGATE GARNISH

REMOVAL AND INSTALLATION

Post-installation operation

- Rear Wiper Motor Bracket (Refer to)



ACF07768AB

Removal step

- Liftgate lock release handle <Vehicles without electric liftgate> (GROUP 42A, Liftgate Handle and Latch)
- Liftgate lock release handle <Vehicles with electric liftgate> (GROUP 42A, Liftgate Handle and Latch)

Removal step (Continued)

- <Added>
- Tail light assembly (Refer to GROUP 54A, Tail Light)
- >>A<< 1. Liftgate garnish

INSTALLATION SERVICE POINT

>>A<< LIFTGATE GARNISH INSTALLATION

CAUTION

When installing the liftgate garnish, roll up the weather-strip and secure it by a tape as shown to avoid trapping it.

