

October 19, 2016

04693 Version 1

## Driver's Dashboard Panel Warped

### AFFECTED VEHICLES

Year	Model	Trim	VIN Range
2016	Fit	Suzuka produced vehicles	JHMGK5H.. <b>GS</b> 000003 thru JHMGK5H.. <b>GS</b> 007296

NOTE: The 11<sup>th</sup> digit is an S to designate the code for Suzuka.

### BACKGROUND

There is a gap between the lid assembly and the driver's dashboard panel.

### POSSIBLE CAUSES

During manufacturing, the end clips of some driver's side dashboard panel have a defect that prevents the lid assembly from properly being secured.

### CORRECTIVE ACTION

Replace the driver's dashboard panel.

### PARTS INFORMATION

#### Required Parts:

Part Name	Part Number	Quantity
Driver panel	77212-T5R-A02ZA	1

### WARRANTY CLAIM INFORMATION

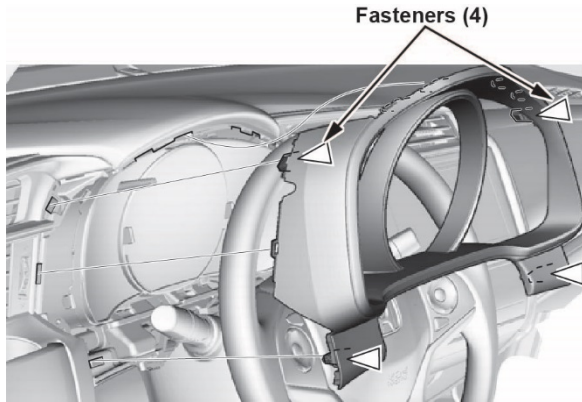
Operation Number	Description	Flat Rate Time	Defect Code	Symptom Code	Template ID	Failed Part Number
8411B0	Replace the driver's dashboard panel.	0.5 hr	00401	06201	16-068B	77212-T5R-A02ZA

Skill Level: Repair Technician

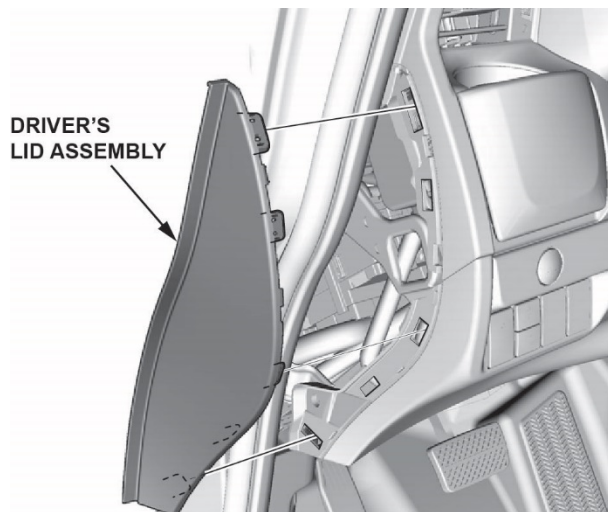
**CUSTOMER INFORMATION:** The information in this bulletin is intended for use only by skilled technicians who have the proper tools, equipment, and training to correctly and safely maintain your vehicle. These procedures should not be attempted by "do-it-yourselfers," and you should not assume this bulletin applies to your vehicle, or that your vehicle has the condition described. To determine whether this information applies, contact an authorized Honda automobile dealer.

## REPAIR PROCEDURE

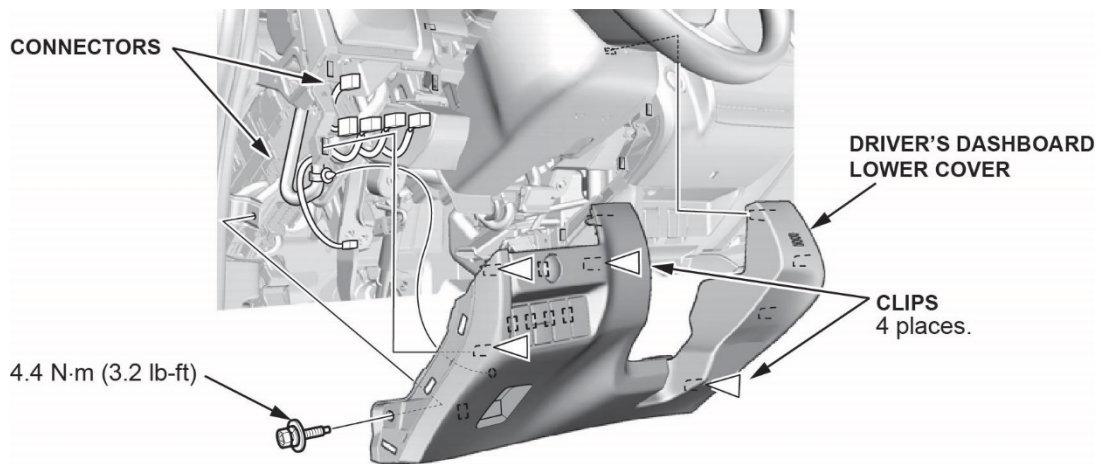
1. Remove the meter visor.



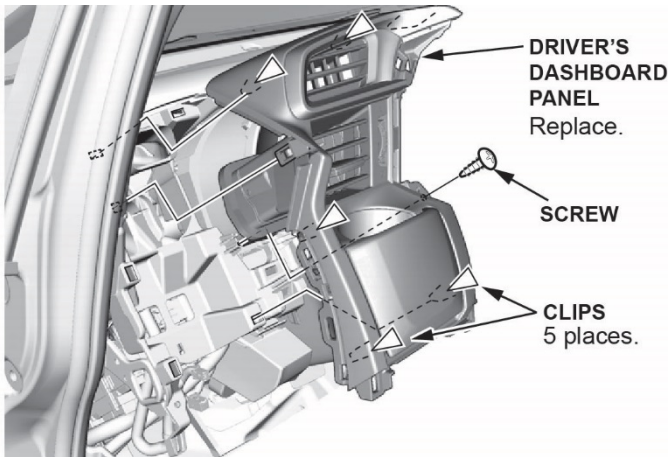
2. Remove the driver's lid assembly.



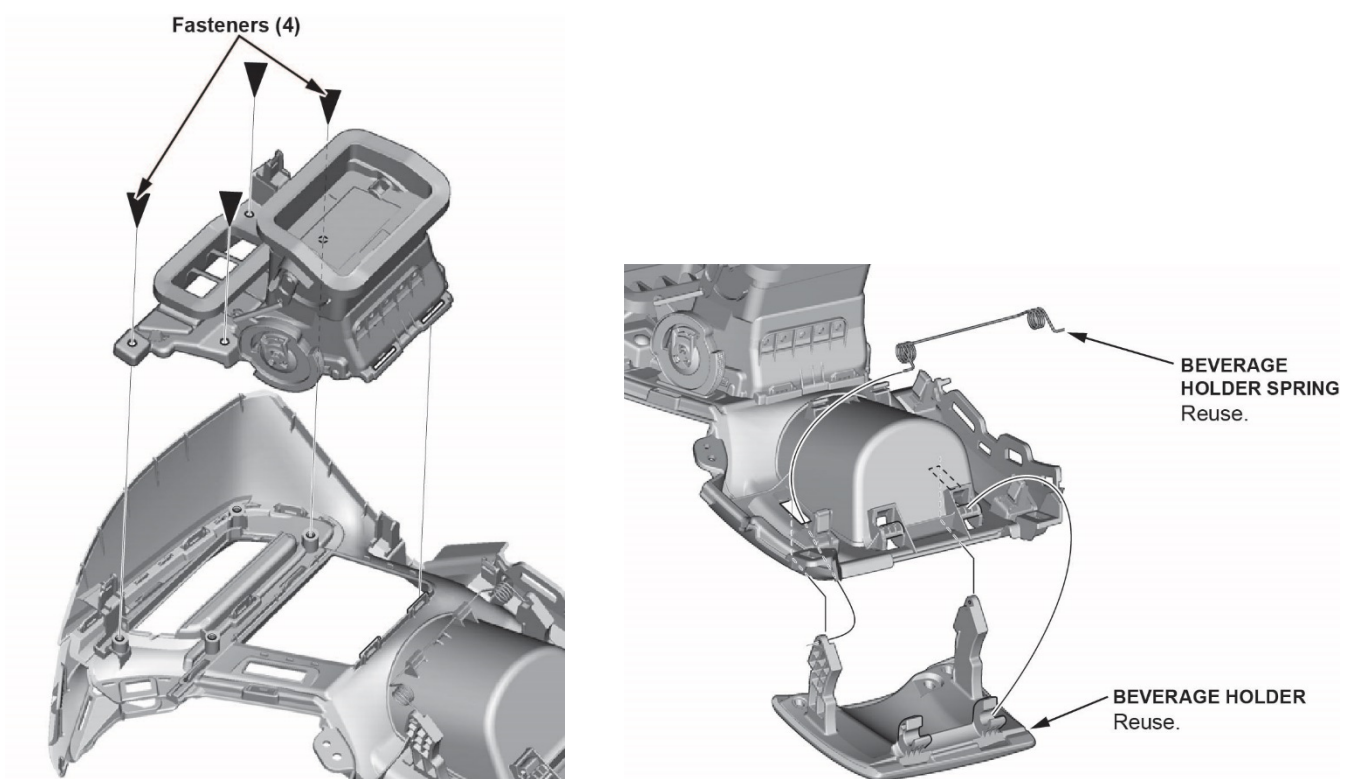
3. Remove the driver's dashboard lower cover.



4. Remove the driver's dashboard panel.



5. Remove the air outlet and the beverage holder.



6. Reinstall the air outlet and the beverage holder onto new driver's dashboard panel.
  7. Install removed parts in reverse order.
- NOTE: When installing the driver's lid assembly, make sure the tabs are securely installed.

END