

March 4, 2016

03299 Version 1

## Charging System Indicator Is On with DTC P154A

### AFFECTED VEHICLES

Year	Model	Trim	VIN Range
2013–14	Accord	ALL	ALL
2015	Accord	ALL	1HGCR6...FA000001 thru 1HGCR6...FA014707 1HGCR2...FA000001 thru 1HGCR2...FA229079 1HGCR3...FA000001 thru 1HGCR3...FA037185 1HGCT1...FA000001 thru 1HGCT1...FA015545 1HGCT2...FA000001 thru 1HGCT2...FA009458
2015	Fit	ALL	ALL
2016	Fit	ALL	3HGGK5...GM7000001 thru 3HGGK5...GM701651
2016	HR-V	2WD	3CZRU5...GM7000001 thru 3CZRU5...GM715111
2016	HR-V	4WD	3CZRU6...GM7000001 thru 3CZRU6...GM719915

### SYMPTOM

The Charging System indicator is on with DTC P154A (battery sensor internal failure).

### POSSIBLE CAUSES

The battery sensor has an internal failure.

### CORRECTIVE ACTION

Replace the battery sensor.

### PARTS INFORMATION

Part Name	Part Number	Quantity
Battery Sensor (Fit and HR-V)	38920-T5A-A02	1
Battery Sensor (Accord)	38920-T2A-A03	1

**CUSTOMER INFORMATION:** The information in this bulletin is intended for use only by skilled technicians who have the proper tools, equipment, and training to correctly and safely maintain your vehicle. These procedures should not be attempted by “do-it-yourselfers,” and you should not assume this bulletin applies to your vehicle, or that your vehicle has the condition described. To determine whether this information applies, contact an authorized Honda automobile dealer.

## WARRANTY CLAIM INFORMATION

The normal warranty applies.

Operation Number	Description	Flat Rate Time	Defect Code	Symptom Code	Template ID	Failed Part Number
7101B2	Replace the battery sensor. Includes DTC check. (Fit and HR-V)	0.4 hr	03217	03214	16-026A	38920-T5A-A02
7101B2	Replace the battery sensor. Includes DTC check. (Accord)	0.4 hr	03217	03214	16-026B	38920-T2A-A03

Skill Level: Repair Technician

## DIAGNOSIS - ACCORD

1. Turn the ignition switch to ON (II), or press the engine start/stop button to select the ON mode.
2. Clear the DTC with the HDS, and wait 5 seconds.
3. Check for pending or confirmed DTCs.

*Is DTC P154A indicated?*

**YES:** Go to REPAIR PROCEDURE ACCORD.

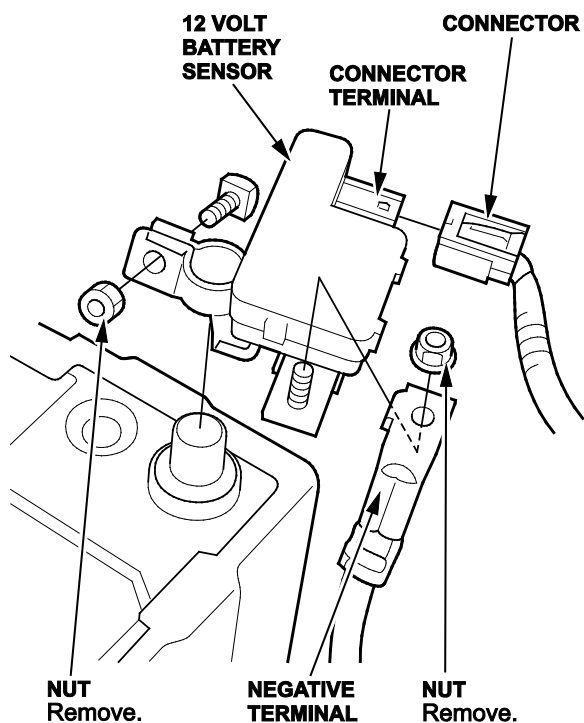
**NO:** This bulletin does not apply. Continue with normal troubleshooting.

## REPAIR PROCEDURE - ACCORD

The following service information procedures have been used in full or in part within this service bulletin.

For more detail on these procedures and torque specifications, refer to the service information.

1. Make sure the ignition is turned to OFF.
2. Disconnect the battery sensor connector.



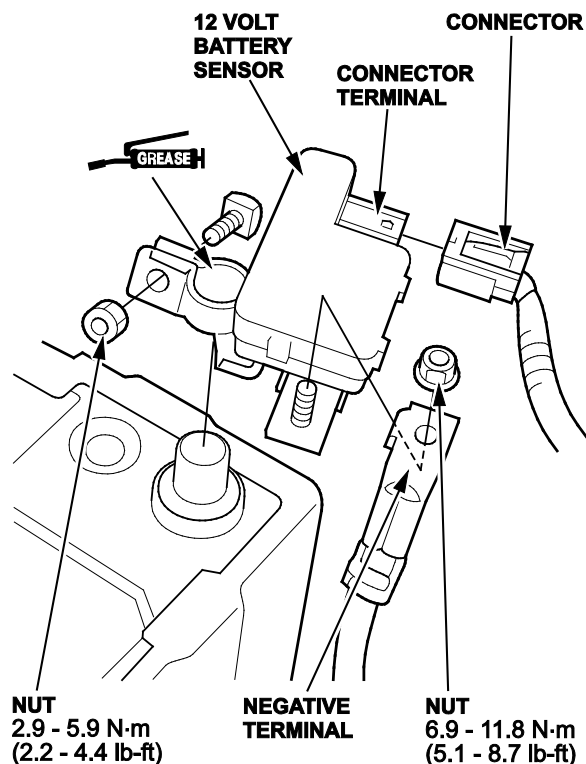
3. Remove the battery sensor from the battery.
4. Disconnect the negative terminal from the battery sensor.

NOTE: To protect the battery sensor connector terminal from damage, do not hold it when removing the negative terminal.

5. Install the negative terminal on the new battery sensor.

NOTE

- Make sure the areas between the negative terminal and the battery sensor are clean.
- To protect the battery sensor connector terminal from damage, do not hold it when installing the negative terminal.



6. Install the battery sensor onto the battery.
7. Connect the battery sensor connector.
8. Apply multipurpose grease to the terminal to prevent corrosion.

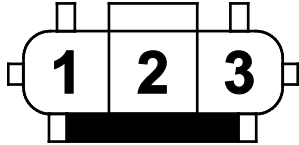
END

### DIAGNOSIS - FIT/HR-V

1. Turn the ignition to ON.
2. Clear the DTC with the HDS and wait 5 seconds.  
*Is DTC P154A indicated?*  
**YES:** Go to step 3.  
**NO:** This bulletin does not apply. Continue with normal troubleshooting.
3. Turn the ignition to OFF.
4. Disconnect the 12-volt battery sensor 3P connector.

5. Measure the voltage between test points 1 and 2.

Test condition	Vehicle OFF (LOCK) mode.
	12-volt battery sensor 3P connector disconnected
Test point 1	12-volt battery sensor 3P connector No. 1
Test point 2	Body ground



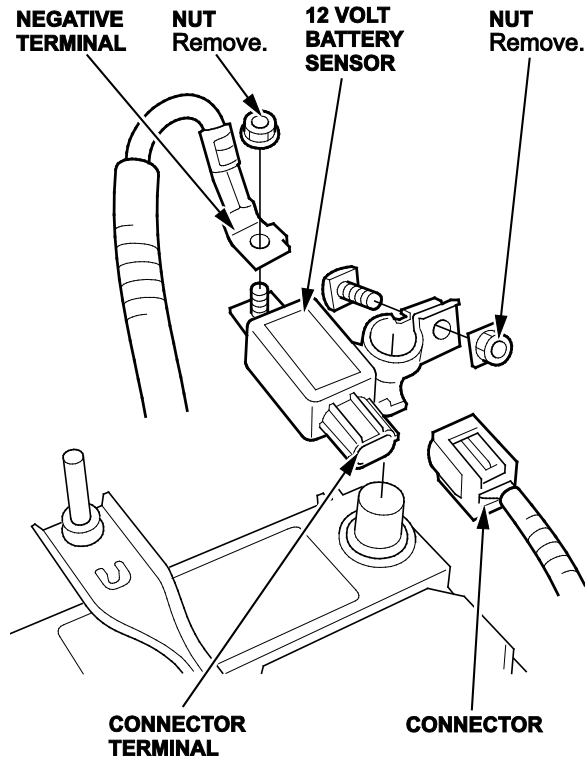
*Is there battery voltage?*

**YES:** Go to REPAIR PROCEDURE - Fit/HR-V

**NO:** This bulletin does not apply. Continue with normal troubleshooting.

### REPAIR PROCEDURE - FIT/HR-V

1. Make sure the ignition is turned to OFF..
2. Disconnect the connector.



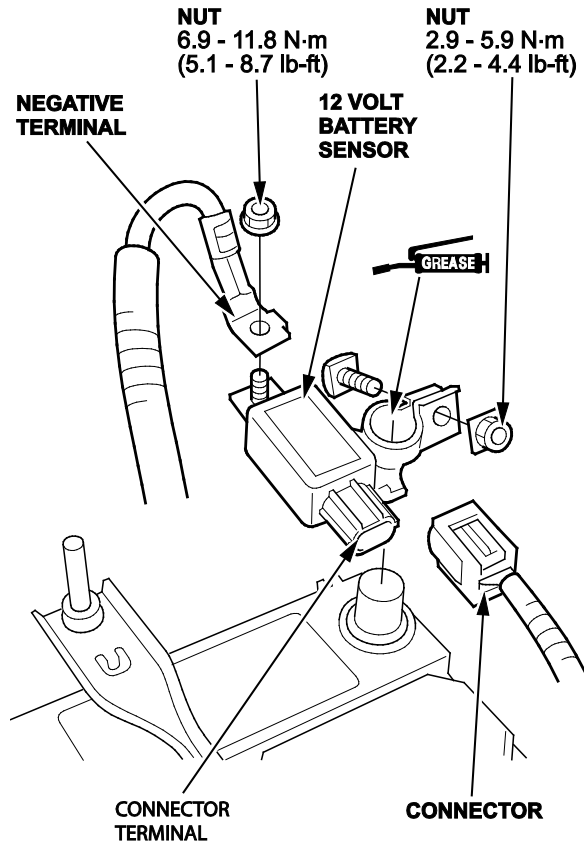
3. Remove the 12-volt battery sensor from the 12-volt battery.

**NOTE:** To protect the 12-volt battery sensor connector from damage, do not hold it when removing the terminal.

4. Disconnect the terminal from the 12-volt battery sensor.
5. Install the 12-volt battery sensor to the 12-volt battery.

NOTE:

- Make sure the areas between the negative terminal and the battery sensor are clean.
- To protect the connector from damage, do not hold it when removing the terminal.



6. Connect the connector.
7. Apply multipurpose grease to the terminals to prevent corrosion.

END