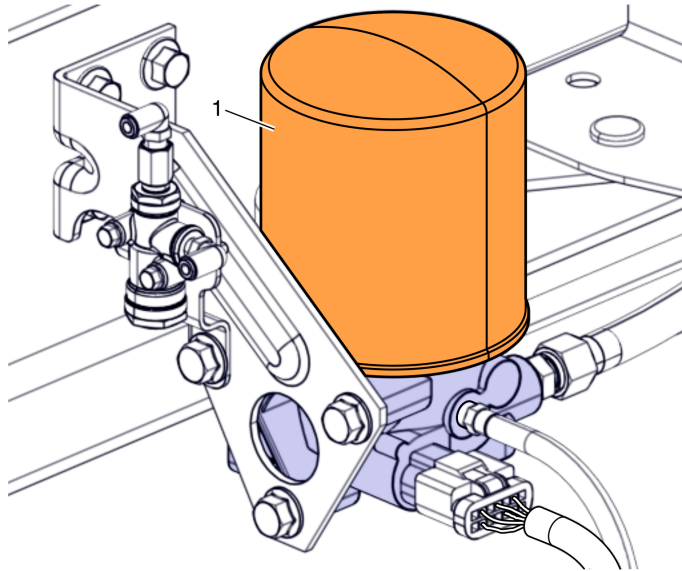


Electronic Controlled Air Dryer (ECAD),  
Reprogramming  
VN

## **FSB 561-025, Electronic Controlled Air Dryer (ECAD), Reprogramming**

**September 2016**

Some VOLVO VN model trucks built from 11/01/2011 to 10/03/2016, and equipped with the Meritor/WABCO Electronic Controlled Air Dryer (ECAD) may experience excessive moisture build up in the air tanks. An accessory kit has been developed to improve the drying capabilities of the ECAD system. Improvement includes, reprogramming of the Vehicle Electronic Control Unit (VECU) and replacement of the "coalescing" air dryer cartridge. Additionally, daily water draining of the air tanks are required per normal air system maintenance services. Follow the repair procedure outlined in this Field Service Bulletin (FSB) for reprogramming of the VECU and replacement of the coalescing air dryer cartridge.



W5115119

## Required Parts

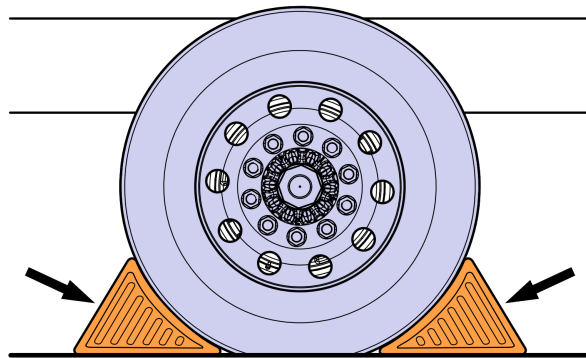
Electronic Controlled Air Dryer (ECAD), Reprogramming Parts			
Item	Description	Part Number	Qty
1	Coalescing, Air Dryer Cartridge	21620181	1
2	Accessory Kit	85149898	1

## Decommissioning the Truck for Repair

You must read and understand the precautions and guidelines in Service Information, group 50, "General Safety Practices, Air Systems" before performing this procedure. If you are not properly trained and certified in this procedure, ask your supervisor for training before you perform it.

**NOTE:** Information is subject to change without notice. Illustrations are used for reference only and can differ slightly from the actual vehicle being serviced. However, key components addressed in this information are represented as accurately as possible.

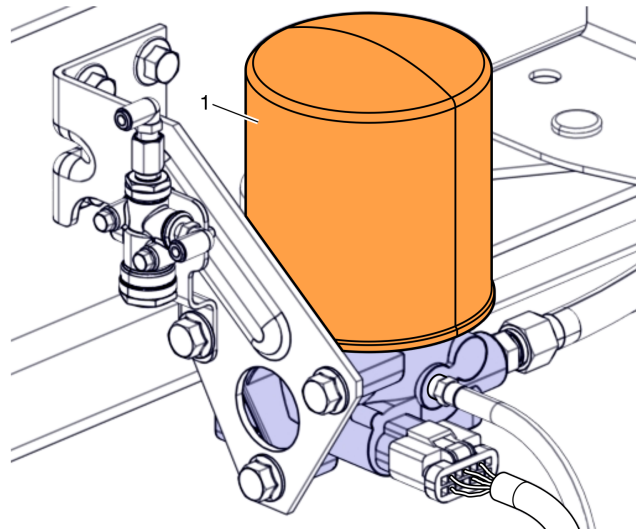
- 1 Park the vehicle on a flat and level surface.
- 2 Apply the parking brake.
- 3 Place the transmission in neutral or park.
- 4 Install the wheel chocks.



W7086748

## Electronic Controlled Air Dryer (ECAD), Reprogramming

- 1 Replace the coalescing air dryer cartridge (1).

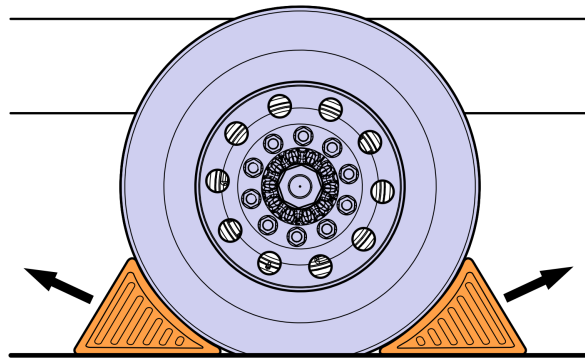


W5115119

- 2 Using Premium Tech Tool (PTT), run Accessory kit 85149898.
- 3 Reprogram the Vehicle Electronic Control Unit (VECU) MID 144.
- 4 Manually change parameter CUB - 15 in PTT.
- 5 Verify proper operation after reprogramming is complete.

## Commissioning the Truck for Operation

- 1 Remove the wheel chocks.



W7086759

### Reimbursement

<b>This repair may be eligible for reimbursement if a product failure was experienced within time and mileage limits of the applicable Warranty coverage. Reimbursement is obtained via the normal claim handling process.</b>	<b>UHP Reimbursement</b>
<b>Claim Type (used only when uploading from the Dealer Bus. Sys.)</b>	W
<b>Labor Code</b>	
Primary Labor Code (ECAD, Reprogramming)	5618-22-09-01 0.5 hrs.
Labor Code (Air Dryer Cartridge, Replacement)	5618-03-02-13 0.3 hrs.
<b>Causal Part</b>	21720493

VOLVO Trucks North America reserves the right to make any changes in design or to make additions to or upon its products without incurring any obligations to install the same on vehicles previously built.