

# NEWMAR CORPORATION WARRANTY DEPARTMENT

## TECHNICAL SERVICE BULLETIN

DATE ISSUED	MODEL YEAR(S) AFFECTED	TSB #
2/18/2016	2007-2015	446

### BRAND

Bay Star Sport	<input checked="" type="checkbox"/>	Ventana	<input checked="" type="checkbox"/>	Essex	<input type="checkbox"/>
Bay Star	<input checked="" type="checkbox"/>	Dutch Star	<input checked="" type="checkbox"/>	King Aire	<input type="checkbox"/>
Canyon Star	<input checked="" type="checkbox"/>	Mountain Aire	<input type="checkbox"/>	Other	<input checked="" type="checkbox"/>
Ventana LE	<input checked="" type="checkbox"/>	London Aire	<input type="checkbox"/>		

### DESCRIPTION

Newmar Corporation has decided that a defect relating to motor vehicle safety exists in specific motor homes.  
 NHTSA#: 16V 008 TC#: 2016-018

Newmar Corporation has been advised by Lippert Components that on certain motorhomes using LCI Coachstep electric double or triple entrance steps, there is the potential of a structural fracture within the Lippert step assembly.

**Issue:** There is the potential of a structural fracture of the center bolt of the fan gear assembly which may cause the fan gear assembly to disengage from the steps. This issue creates an unstable platform, which could cause a person to fall and result in injury.

### RECOMMENDED ACTION

**Correction:**

Contact Lippert Customer Service via phone (574)537-8900 or email ([customerservice@lci1.com](mailto:customerservice@lci1.com) or [warranty@lci1.com](mailto:warranty@lci1.com)) in order to receive a bracket and a parts kit at no charge. Please contact Newmar Dealer / Technical Support (866)290-5371 to acquire the appropriate authorization to perform the recall repair.

If further assistance is needed to place the part order with Lippert, feel free to contact Newmar Dealer / Technical Support Department at (866)290-5371.

Double Step Kit: # 389761

Triple Step Kit: # 389152

**Flat Rate Code:** 16V 008

**Labor Time:** Double Step .3 hr.  
 Triple Step .5 hr.

***Please read this bulletin in its entirety prior to beginning any diagnosis or repairs.***



WHEN YOU KNOW THE DIFFERENCE

# NEWMAR CORPORATION

NEWMARCORP.COM

Date: February 17, 2016  
Re: Newmar Corporation – Motor Vehicle Recall Notification

---

Subject: Recall Campaign No.: 16V 008

This notice is sent to you as a Newmar Dealer in accordance with the requirements of the National Traffic and Motor Vehicle Safety Act. Newmar Corporation has decided that a defect which relates to motor vehicle safety exists in specific Newmar recreational vehicles.

The National Traffic and Motor Vehicle Safety Act requires that each vehicle which is subject to a recall campaign of this type must be satisfactorily repaired within a reasonable time after the owner has tendered it for repair. A failure to adequately repair within 60 days after tender of a vehicle is prima facie evidence of failure to repair within a reasonable time. To avoid providing these problematic solutions, every effort must be made to promptly schedule an appointment with each owner and to repair their vehicle as soon as possible. Vehicle owners are being notified of this recall. If the condition is not remedied within a reasonable time, they are instructed on how to contact the National Highway Traffic Safety Administration.

## **REASON FOR THIS RECALL**

*Newmar Corporation has decided that a defect which relates to motor vehicle safety exists in specific motor homes.*

Newmar Corporation has been advised by Lippert Components that on certain motorhomes using LCI Coachstep electric double or triple entrance steps there is the potential of a structural fracture within the Lippert step assembly. The center bolt of the fan gear assembly may cause the fan gear assembly to disengage from the steps creating an unstable platform which could cause a person to fall and result in an injury. Correction: Lippert will provide a bracket and parts kit with no charge for parts or labor.

Bay Star Sport, Bay Star, Canyon Star, Dutch Star, Dutch Aire, Kountry Star, Ventana VL and Ventana motorhomes were built between 5/29/2007 and 1/14/2015.

**These motor homes require immediate service. Continued use poses a potential safety hazard.**

## **DEALER CAMPAIGN RESPONSIBILITY**

***Dealers are to provide to all customers/owner vehicles the service of completing this campaign at no charge to the customer/owner regardless of vehicle age, vehicle mileage, or ownership at the time of repair.***

## **REPAIR PROCEDURE**

Please reference Lippert's double or triple entrance step work instructions enclosed.

**If you should have any questions please contact the Newmar service department at: 1-866-290-5371.**

Thank you for your cooperation.

Sincerely,

Newmar Corporation



WHEN YOU KNOW THE DIFFERENCE

# NEWMAR CORPORATION

NEWMARCORP.COM

Date: February 15, 2016  
Re: Newmar Corporation – Motor Vehicle Recall Notification

---

Subject: Recall Campaign No.: 2016-018

This notice is sent to you as a Newmar Dealer in accordance with the requirements of the Canada Motor Vehicle Safety Act. Newmar Corporation has decided that a defect which relates to motor vehicle safety exists in specific Newmar recreational vehicles.

Each vehicle which is subject to a recall campaign of this type must be satisfactorily repaired within a reasonable time after the owner has tendered it for repair. A failure to adequately repair within 60 days after tender of a vehicle is prima facie evidence of failure to repair within a reasonable time. To avoid providing these problematic solutions, every effort must be made to promptly schedule an appointment with each owner and to repair their vehicle as soon as possible. Vehicle owners are being notified of this recall. If the condition is not remedied within a reasonable time, they are instructed to contact Transport Canada.

## **REASON FOR THIS RECALL**

*Newmar Corporation has decided that a defect which relates to motor vehicle safety exists in specific motor homes.*

On certain motorhomes equipped with Lippert Components Inc. electric entry steps, an internal bolt on the steps that attaches the fan gear assembly to the steps could fracture. This results in the fan gear disengaging from the steps, which could cause the steps to stop in an unexpected position and appear to be loose or unstable. If the steps become unstable, it could cause a person to fall, resulting in injury. Correction: Dealers will install a step retainer bracket to reinforce the operating mechanism, and all bolts of the mechanism will also be replaced.

**These motor homes require immediate service. Continued use poses a potential safety hazard.**

This recall applies to certain Newmar motorhomes built between 05/29/2007 and 01/12/2015.

## **DEALER CAMPAIGN RESPONSIBILITY**

***Dealers are to provide to all customers/owner vehicles the service of completing this campaign at no charge to the customer/owner regardless of vehicle age, vehicle mileage, or ownership at the time of repair.***

## **REPAIR PROCEDURE**

Please reference Lippert's double or triple entrance step work instructions enclosed. Contact LCI's Service Department at 574-537-8900 ext.2 or email:warranty@lci.com.

**If you should have any questions please contact the Newmar service department at: 1-866-290-5371.**

Thank you for your cooperation.

Sincerely,

Newmar Corporation



# COACHSTEP DOUBLE STEP RECALL REPAIR INSTRUCTIONS

## RECALL# 15E-078

## LABOR FLAT RATE: 0.3 HOURS

### Purpose

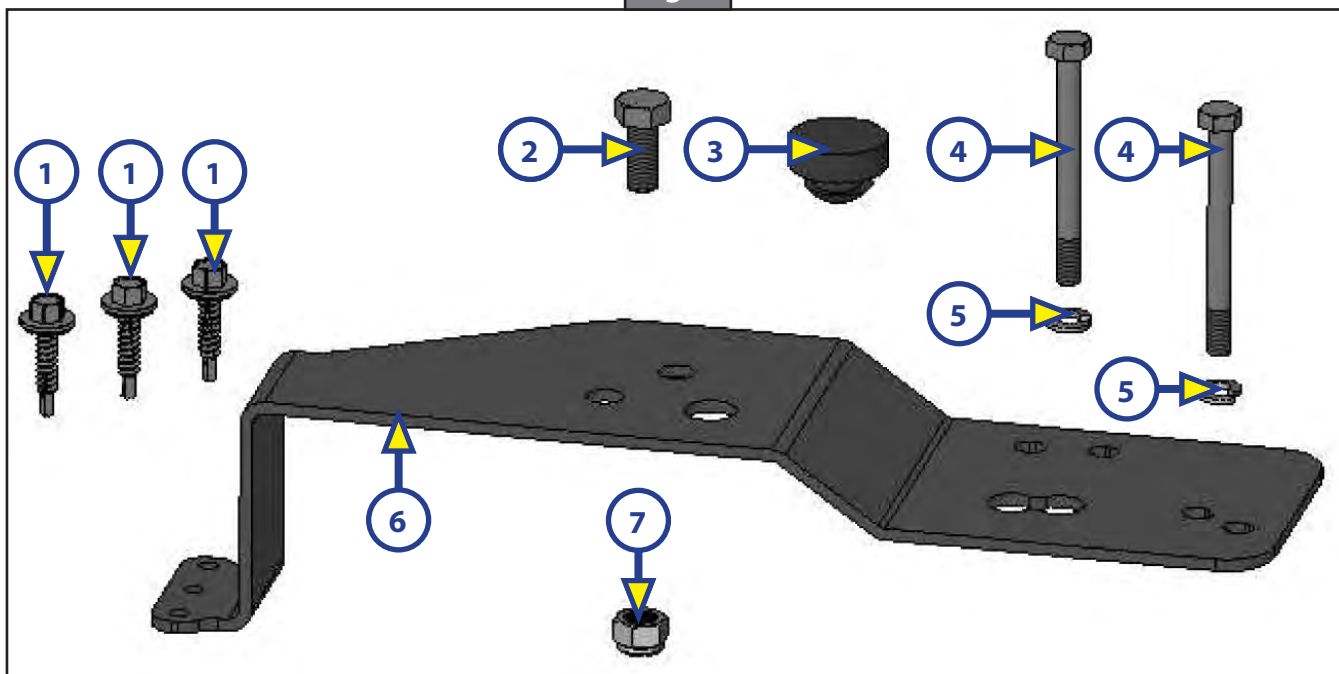
The intent of this document is to provide instructions for the installation of the Coachstep retainer bracket on double step assemblies.

### Preparation

#### Tools and Hardware Required

- Cordless or Power Drill or Impact Wrench
- 1/8" Metal Drill Bit
- 5/16" Nut Driver Bit or Socket
- 10mm Wrench or Socket
- 2 x 1/2" Wrench or 1 x 1/2" Wrench and 1 x 1/2" Socket
- Coachstep Double Step Recall Parts Kit - P/N 389761 (Fig. 1)
- Jack Stand

Fig. 1



Callout	Part #	Description	Quantity
1	181351	Screw - #12 x 1 Hex Head Washer Tek Screw w/ B/S Washer, Zinc Plated	3
2	125557	Bolt - 5/16 - 18 x 3/4	1
3	163492	Rubber Bumper .70 x 1	1
4	183925	Bolt - 6mm - #10 x 63.5mm Hex Cap Screw GR5 Zinc	2
5	165216	Lock Washer - 6mm Zinc	2
6	386819	Retainer Bracket 11 Gauge	1
7	118043	Nut - 5/16 - 18 Nylock ZN ST	1



# COACHSTEP DOUBLE STEP RECALL REPAIR INSTRUCTIONS

1. Fully extend the steps (until the motor stops).
2. Place a jack stand under the bottom step to prevent any potential attempt for automatic retraction.
3. Disconnect the power supply (4-prong connector- Fig. 2A) after extending.

**NOTE:** Jack stand may be removed once power supply is disconnected.

4. Remove the two motor housing bolts and lock washers (Fig. 3A). The lock washers are shown on the motor housing bolts in the images.

Fig. 2



Fig. 3 - Detail

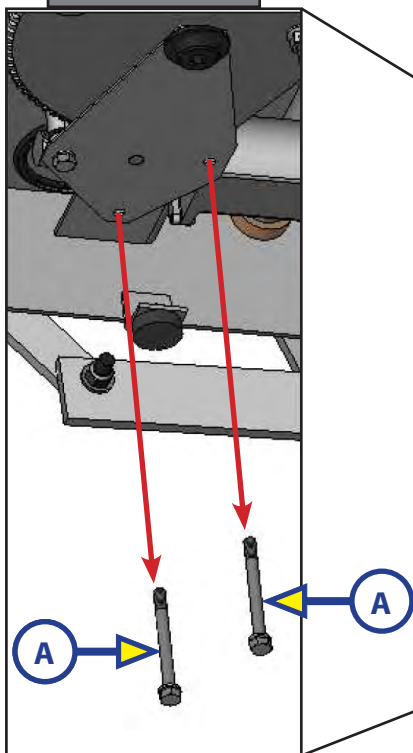
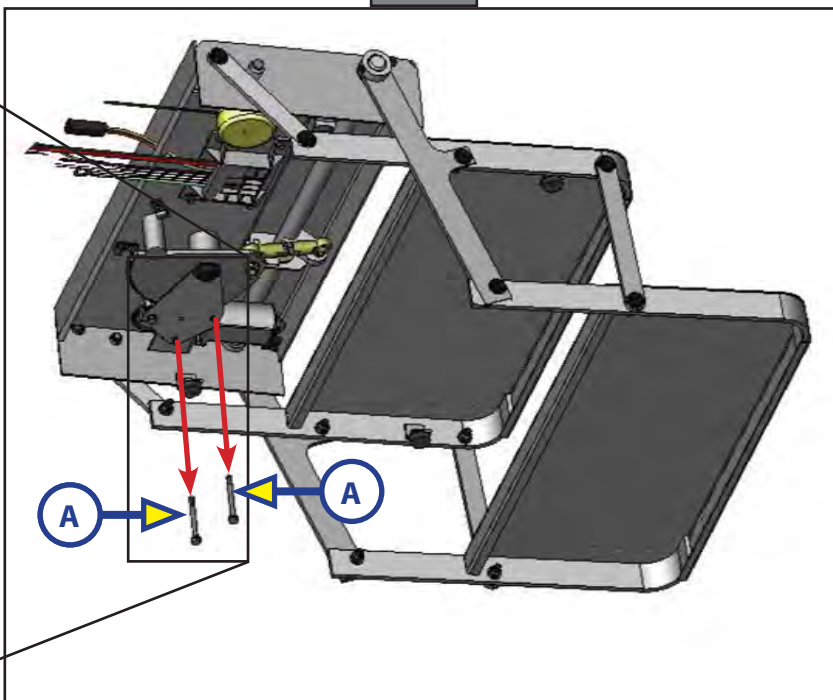


Fig. 3

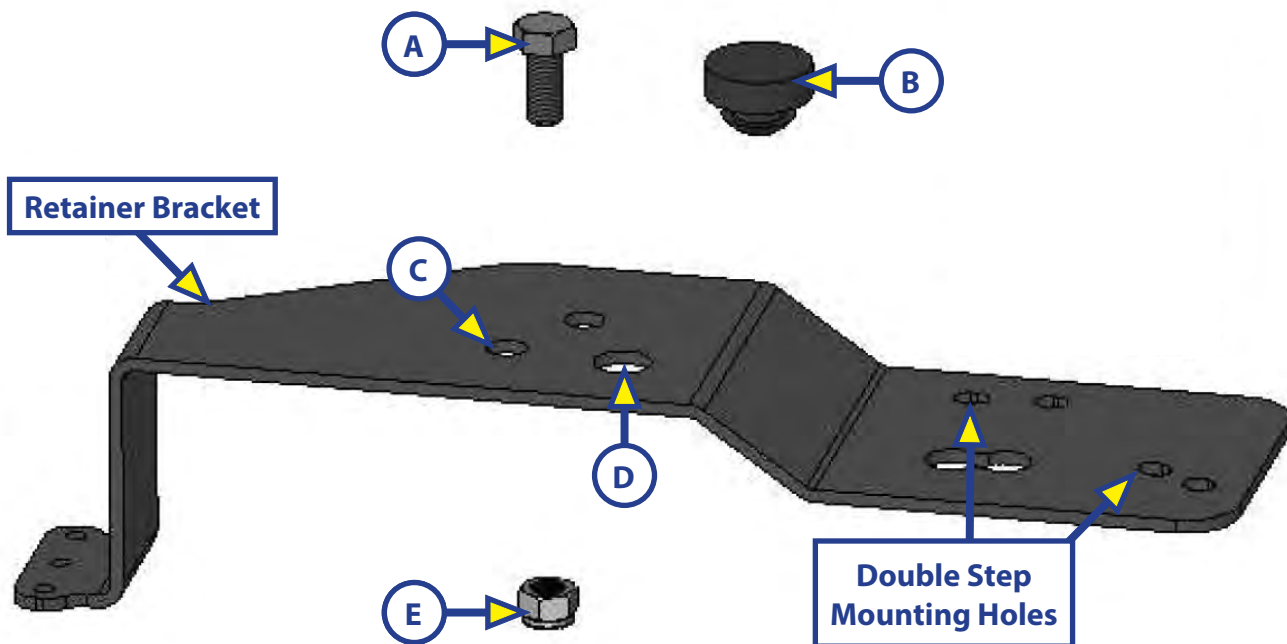


## Procedure

### Assembling the Retainer Bracket

1. Install the  $\frac{5}{16}$  - 18 x  $\frac{3}{4}$ " bolt (Fig. 4A) into the appropriate hole in the retainer bracket (Fig. 4C).
2. Tighten the lock nut (Fig. 4E) onto the bolt (Fig. 4A) until the lock nut contacts the retainer bracket.
3. Install the rubber bumper (Fig. 4B) into the hole in the retainer bracket (Fig. 4D).

Fig. 4



## Installing the Retainer Bracket Assembly

1. Clean any dirt or debris from the hex socket on the fan gear shoulder bolt (if necessary) (Fig. 5G).
2. Ensure that all the motor mount spacers (6 total - Fig. 5H) are still in place.
3. Insert the  $\frac{5}{16}$  - 18 x  $\frac{3}{4}$ " bolt (Fig. 5D) directly into the hex socket of the fan gear shoulder bolt (Fig. 5G).
4. Install the 6mm - 10 x 63.5 mm bolts and 6 mm lock washers (Fig. 5E) through the appropriate mounting holes in the retainer bracket and into the motor housing.

**NOTE:** If alignment issues for the mounting bolts arise, loosen the lock nut on the  $\frac{5}{16}$  - 18 x  $\frac{3}{4}$ " bolt (Fig. 5D) to allow the bolt to slide within its oversized hole. Once the mounting bolts are properly aligned, re-tighten the lock nut.

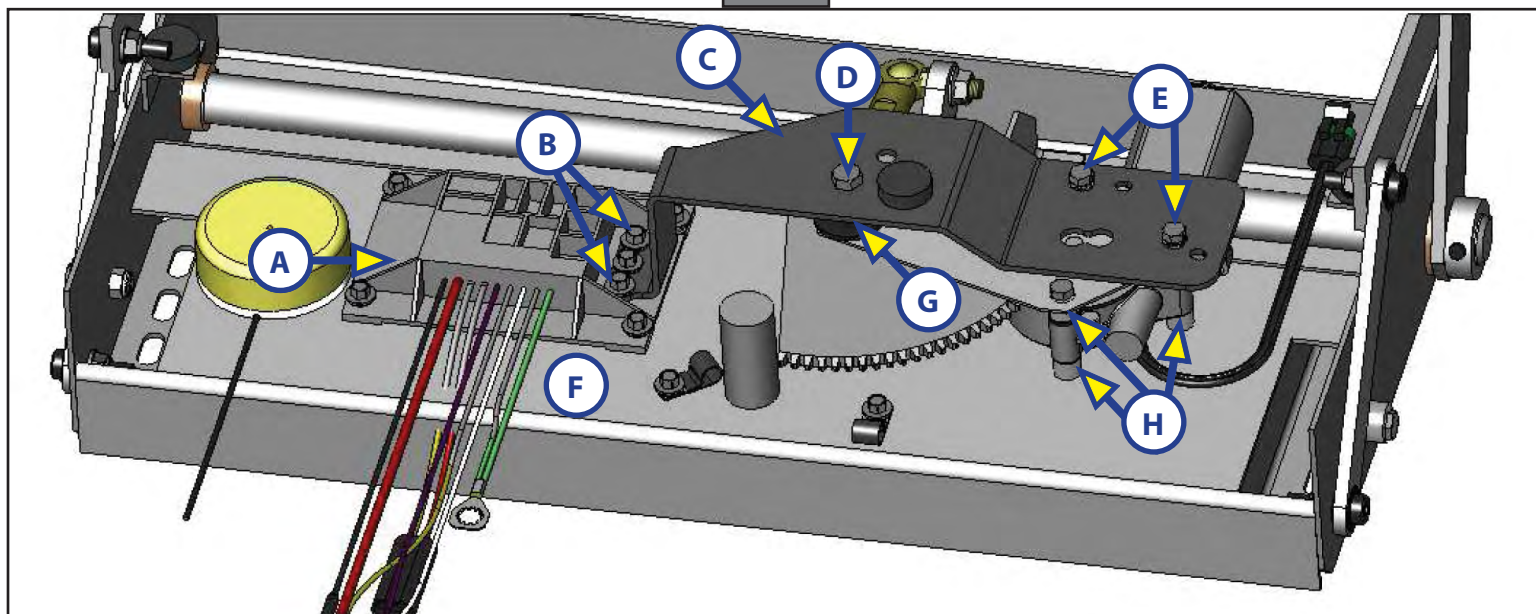
5. Install 3 tek screws (Fig. 5B) through the retainer bracket (Fig. 5C) and control box flange (Fig. 5A), and into the step housing (Fig. 5F) to secure that end of the retainer bracket.

**NOTE:** Pre-drilling  $\frac{1}{8}$ " pilot holes prior to installing the tek screws may help simplify the installation.

6. Tighten the screw until the retainer bracket is flush with the control box flange and the foam washers on the tek screws begin to compress.

**NOTE:** Be sure to apply proper pressure and drill rotation speed on the drill to avoid stripping the self-drilling threads on the tek screws.

Fig. 5



7. Place a jack stand under the bottom step to prevent any potential attempt for automatic retraction.
8. Reconnect the 4-prong connector from the motor control box (Fig. 2A) to the coach power supply.
9. After moving safely away from underneath the motorized steps, remove the jack stand and test the steps for full operation via the standard operation of the coach.



# COACHSTEP TRIPLE STEP RECALL REPAIR INSTRUCTIONS

## RECALL# 15E-078

## LABOR FLAT RATE: 0.5 HOURS

### Purpose

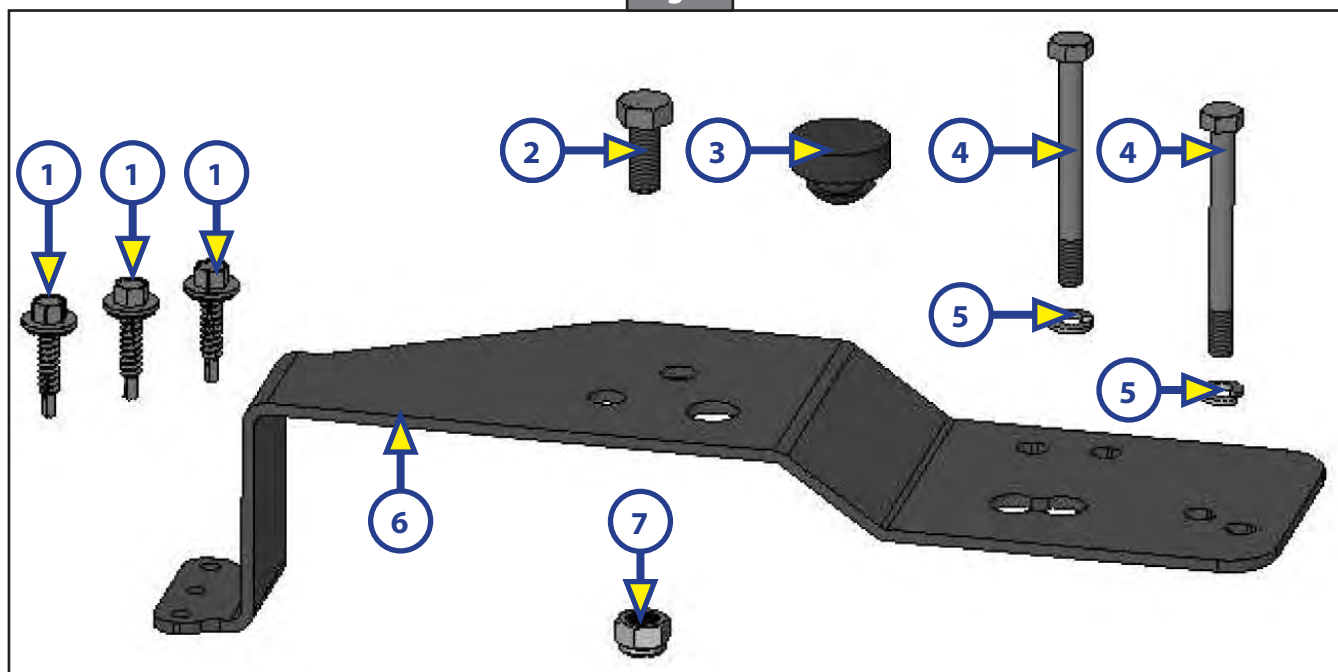
The intent of this document is to provide instructions for the replacement of the Coachstep Linkage Assembly and the installation of the Coachstep retainer bracket on triple step assemblies.

### Preparation

#### Tools and Hardware Required

- Cordless or Power Drill or Impact Wrench
- 1/8" Metal Drill Bit
- 5/16" Nut Driver Bit or Socket
- 10mm Wrench or Socket
- Reversing Rocker Switch
- Coachstep Triple Step Recall Parts Kit - P/N 389152 (Figs. 1 & 2)
- Jack Stand
- 12 Volt Power Supply
- 2 x 1/2" Wrench or 1 x 1/2" Wrench and 1 x 1/2" Socket
- 2 x 5/16" Wrench or 1 x 5/16" Wrench and 1 x 5/16" Socket
- Torque Wrench

Fig. 1



Callout	Part #	Description	Quantity
1	181351	Screw - #12 x 1 Hex Head Washer Tek Screw w/ B/S Washer, Zinc Plated	3
2	125557	Bolt - 5/16 - 18 x 3/4	1
3	163492	Rubber Bumper .70 x 1	1
4	183925	Bolt - 6mm - #10 x 63.5mm Hex Cap Screw GR5 Zinc	2
5	165216	Lock Washer - 6mm Zinc	2
6	386819	Retainer Bracket 11 Gauge	1
7	118043	Nut - 5/16 - 18 Nylock ZN ST	1

Fig. 2

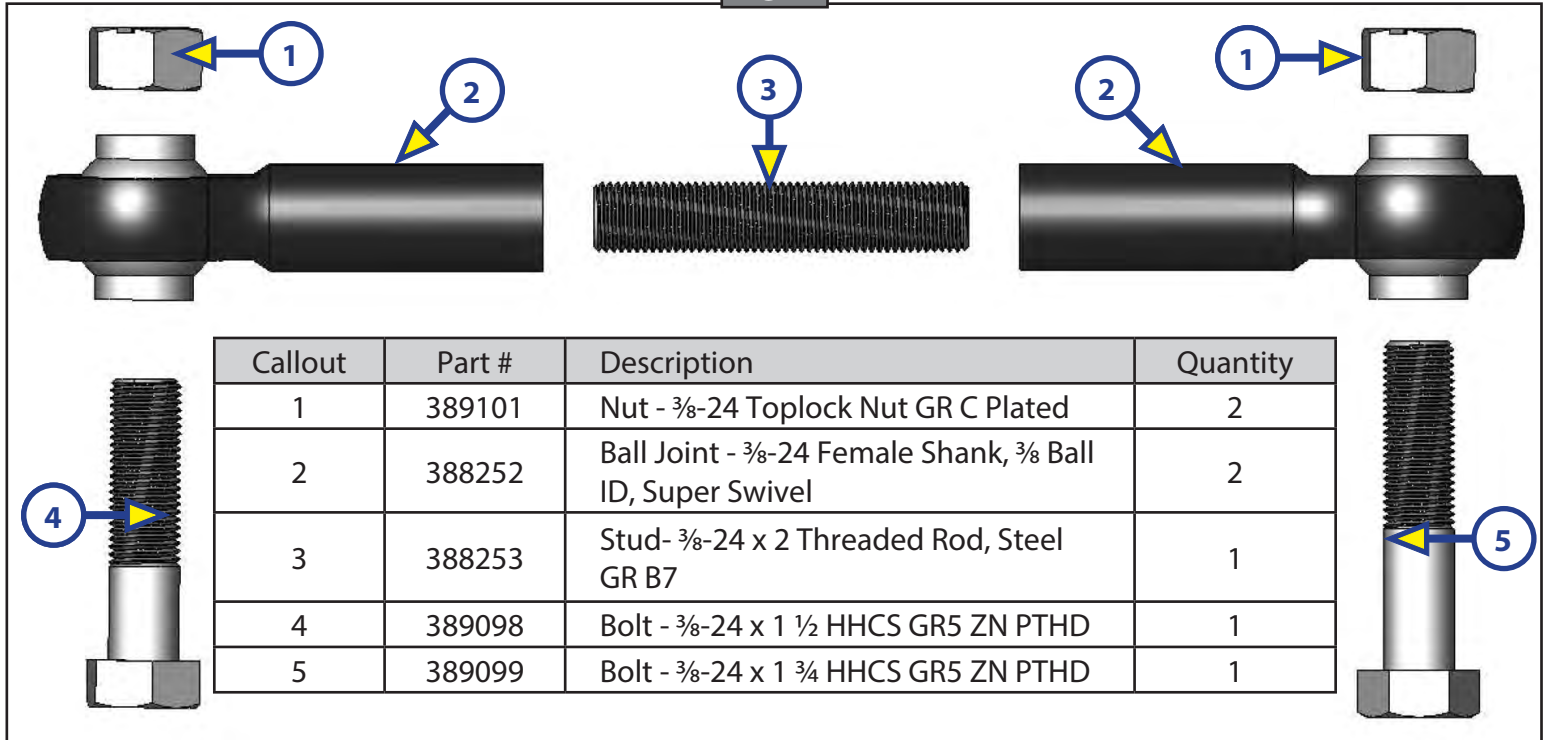


Fig. 3

## Linkage Replacement Procedure

1. Fully extend the step (until the motor stops).
2. Disconnect the power supply (4-prong connector) (Fig. 3A) and the motor-to-control connector (2-prong connector) (Fig. 3B) after extending.



3. Position a jack stand (or equivalent support mechanism) under the bottom step so that the extended steps will be supported after the linkage assembly is removed (Fig. 4A).
4. Connect the motor (2-prong male connector) (Fig. 5A) directly to a 12 volt power supply (Fig. 5C) with a reversing rocker switch (Fig. 5B).

Fig. 4

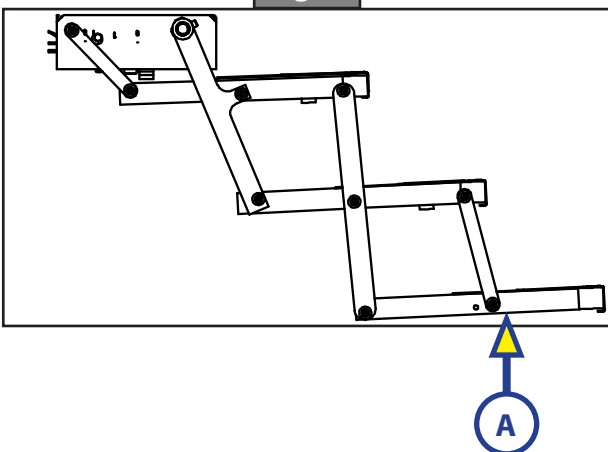
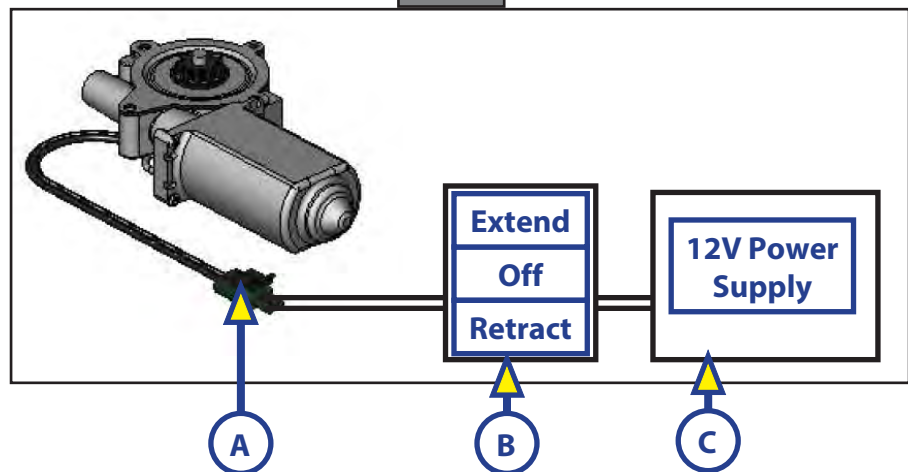


Fig. 5



- Uninstall and remove the linkage assembly (Fig. 6A) using a  $\frac{9}{16}$ " wrench or socket and a  $\frac{1}{2}$ " wrench.

## CAUTION

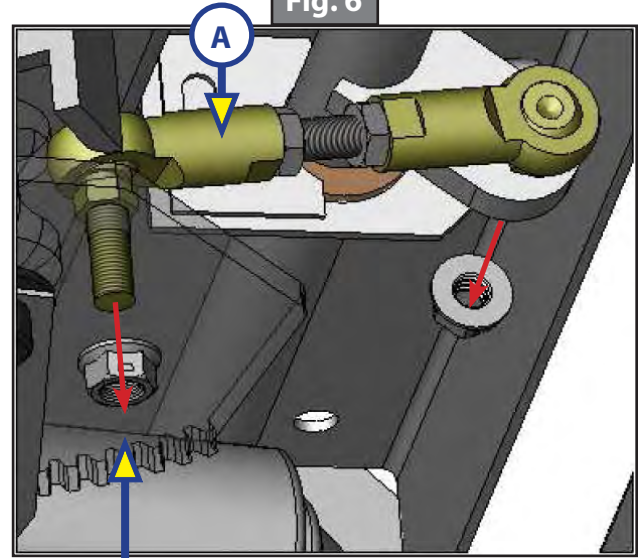
Ensure that the jack stand(s) is securely placed under the bottom step prior to removing the linkage. The steps will be able to rotate freely after linkage removal which could cause serious personal injury or damage to the coach.

**NOTE:** If the linkage cannot be fully removed from the assembly, adjust the jack stand(s) to allow a minimal amount of retraction and then extend and retract the motor controls as necessary to help free the linkage.

- Once the linkage is removed, run the motor to full extension.
- Adjust the jack stand(s) if necessary to ensure that the steps remain fully extended until the new linkage is installed.
- Install the new linkage (Fig. 7B) to the fan gear first with a  $1\frac{1}{2}$ " bolt (Fig. 7C) and toplock nut (Fig. 7A).

- Adjust the linkage length as necessary until the  $1\frac{3}{4}$ " bolt can be inserted through both the linkage end and the shaft leaf. (Fig. 8).

Fig. 6



Fan gear shown transparent to show detail.

Fig. 7

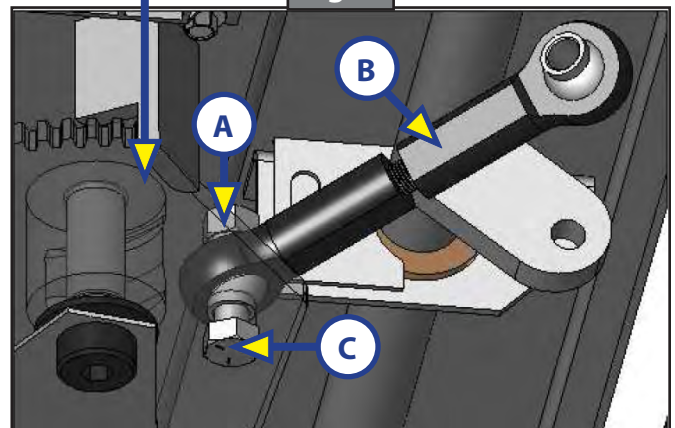
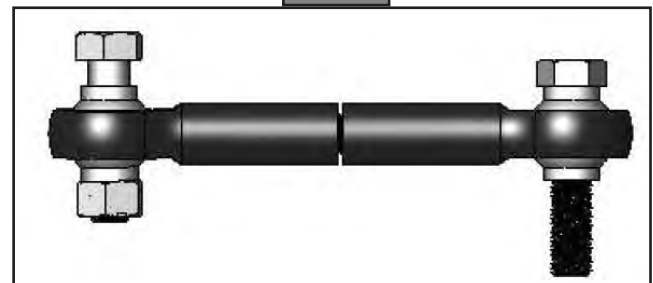


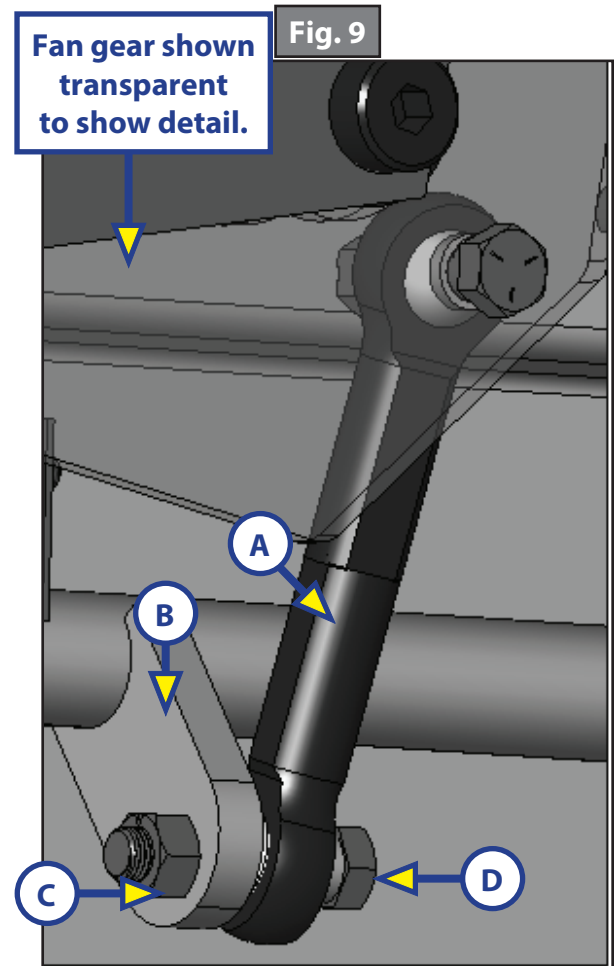
Fig. 8



10. Install the other half of the linkage (Fig. 9A) to the shaft leaf (Fig. 9B) with the 1 3/4" bolt (Fig. 9D) and toplock nut (Fig. 9C).

**NOTE:** Manually extend or retract the fan gear as needed to align the linkage end with the shaft leaf through-hole. Steps should remain at full extension while supported by the jack stand(s).

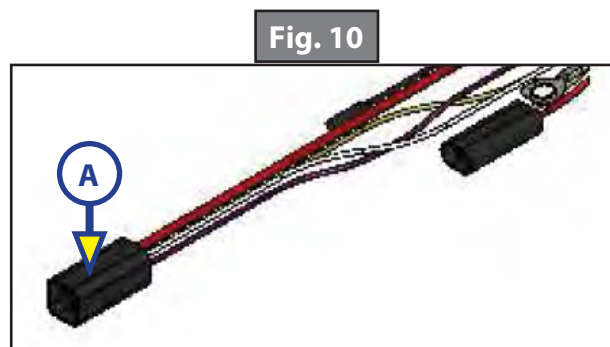
11. Tighten the nuts on both linkage ends to 26 ft-lbs of torque.
12. After moving safely away from underneath the motorized steps, remove the jack stand(s) and test the assembly for proper extension and retraction, using the reversing rocker switch. Replace the jack stand(s) under the bottom step once the testing is complete.
13. Disconnect the 2-prong motor connector from the manual 12 volt power supply and reconnect to the motor control box.
14. Reconnect the 4-prong connector from the motor control box to the coach power supply. Ensure that jacks stand(s) is placed appropriately to stop any potential attempt for automatic retraction.
15. After moving safely away from underneath the motorized steps, remove the jack stand(s) and test the steps for full operation via the standard operation of the coach.



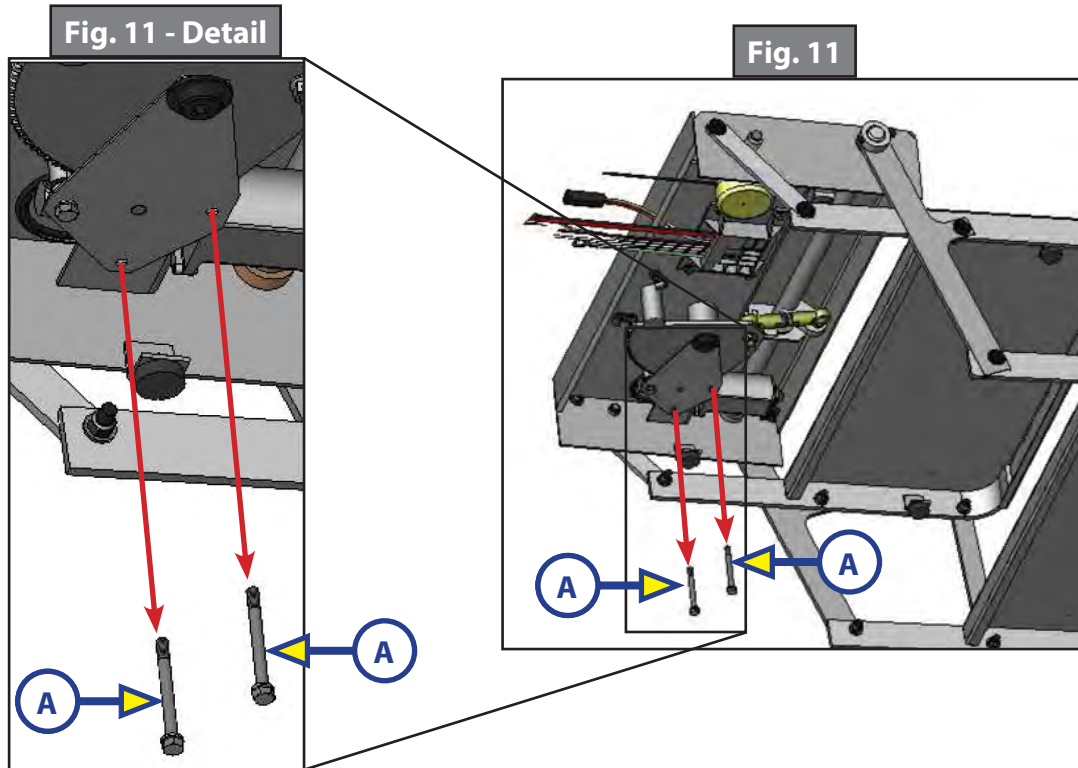
## Retainer Bracket Installation

1. Fully extend the steps (until the motor stops).
2. Place a jack stand under the bottom step to prevent any potential attempt for automatic retraction.
3. Disconnect the power supply (4-prong connector- Fig. 10A) after extending.

**NOTE:** Jack stand may be removed once power supply is disconnected.

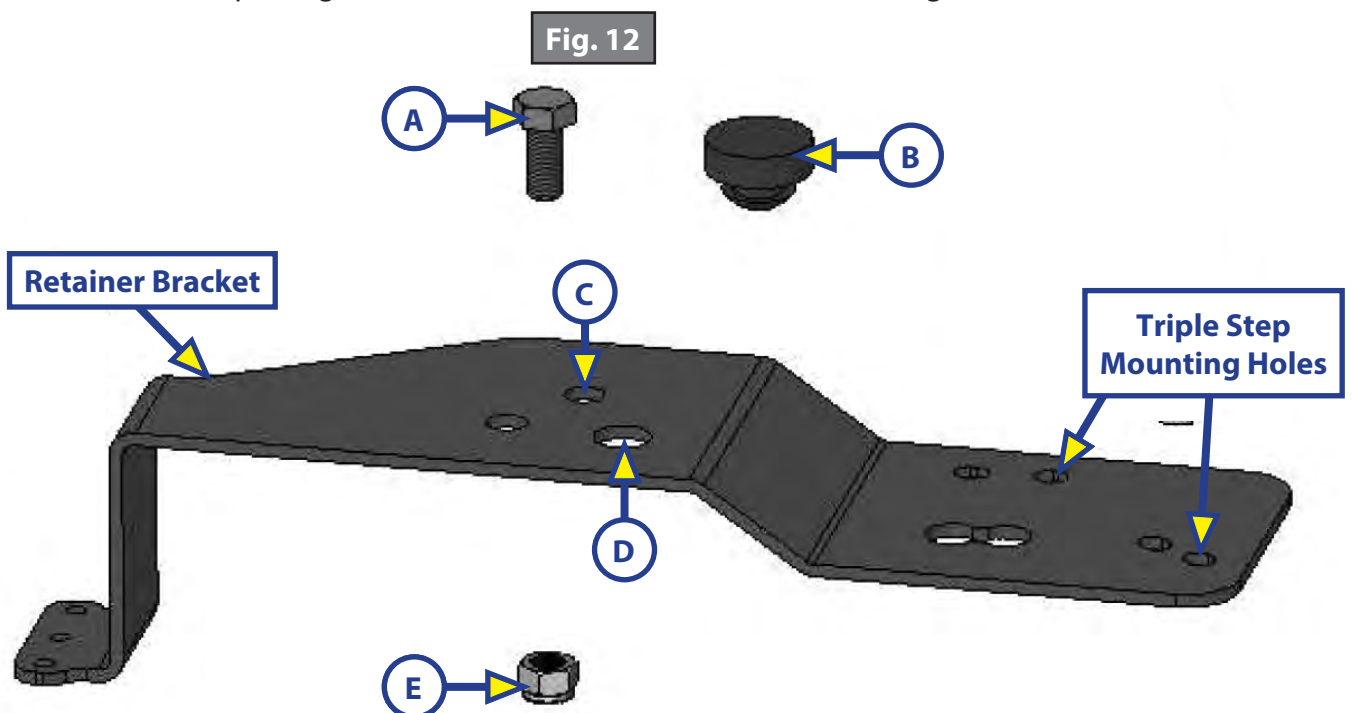


4. Remove the two motor housing bolts and lock washers (Fig. 11A). The lock washers are shown on the motor housing bolts in the images.



## Assembling the Retainer Bracket

1. Install the  $\frac{5}{16}$  - 18 x  $\frac{3}{4}$ " bolt (Fig. 12A) into the appropriate hole in the retainer bracket (Fig. 12C).
2. Tighten the lock nut (Fig. 12E) onto the bolt (Fig. 12A) until the lock nut contacts the retainer bracket.
3. Install the rubber bumper (Fig. 12B) into the hole in the retainer bracket (Fig. 12D).



## Installing the Retainer Bracket Assembly

1. Clean any dirt or debris from the hex socket on the fan gear shoulder bolt (if necessary) (Fig. 13G).
2. Ensure that all the motor mount spacers (6 total - Fig. 13H) are still in place.
3. Insert the  $\frac{5}{16}$  - 18 x  $\frac{3}{4}$ " bolt (Fig. 13D) into the hex socket of the fan gear shoulder bolt (Fig. 13G).
4. Install the 6mm - 10 x 63.5 mm bolts and 6 mm lock washers (Fig. 13E) through the appropriate mounting holes in the retainer bracket and into the motor housing.

**NOTE:** If alignment issues for the mounting bolts arise, loosen the lock nut on the  $\frac{5}{16}$  - 18 x  $\frac{3}{4}$ " bolt (Fig. 13D) to allow the bolt to slide within its oversized hole. Once the mounting bolts are properly aligned, re-tighten the lock nut.

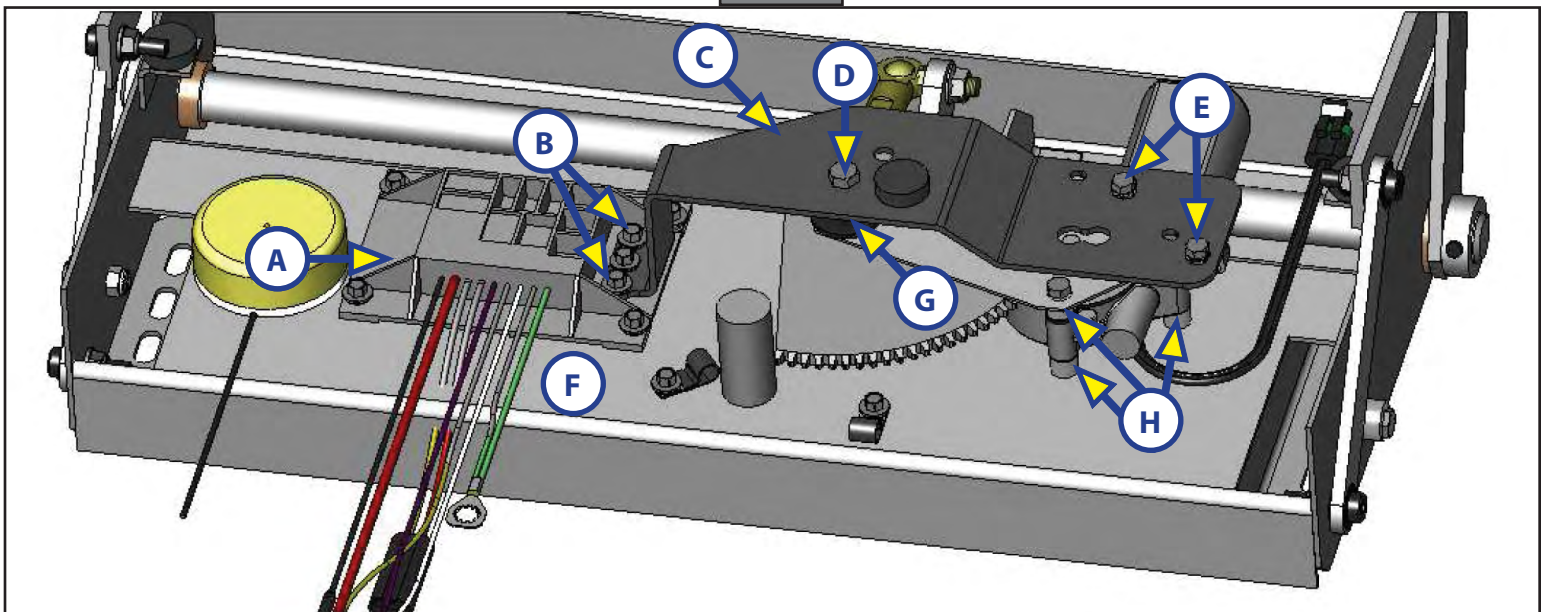
5. Install 3 tek screws (Fig. 13B) through the retainer bracket (Fig. 13C) and control box flange (Fig. 13A), and into the step housing (Fig. 13F) to secure that end of the retainer bracket.

**NOTE:** Pre-drilling  $\frac{1}{8}$ " pilot holes prior to installing the tek screws may help simplify the installation.

6. Tighten the screw until the retainer bracket is flush with the control box flange and the foam washers on the tek screws begin to compress.

**NOTE:** Be sure to apply proper pressure and drill rotation speed on the drill to avoid stripping the self-drilling threads on the tek screws.

Fig. 13



7. Place a jack stand under the bottom step to prevent any potential attempt for automatic retraction.
8. Reconnect the 4-prong connector from the motor control box (Fig. 10A) to the coach power supply. Ensure that jacks stand(s) is placed appropriately to stop any potential attempt for automatic retraction.
9. After moving safely away from underneath the motorized steps, remove the jack stand(s) and test the steps for full operation via the standard operation of the coach.

Prod #	VIN Number	Year	Brand	Type	Floor	Chass	Date In Prod	Date Off Prod
110157	1F6MF53Y570	2008	BS	CA	2901	F	6/11/2007	6/21/2007
110158	1F6NF53Y660	2008	BS	CA	3202	F	6/7/2007	6/19/2007
110159	1F6NF53Y060	2008	BS	CA	3304	F	5/30/2007	6/7/2007
110163	1F6NF53Y960	2008	BS	CA	3202	F	5/30/2007	6/7/2007
110164	1F6NF53Y260	2008	BS	CA	3102	F	5/30/2007	6/11/2007
110165	1F6NF53Y460	2008	BS	CA	3202	F	6/1/2007	6/13/2007
110166	1F6MF53Y270	2008	BS	CA	2901	F	6/4/2007	6/13/2007
110167	1F6NF53Y860	2008	BS	CA	3202	F	6/14/2007	6/26/2007
110168	1F6MF53Y270	2008	BS	CA	2901	F	7/23/2007	8/1/2007
110169	1F6MF53Y970	2008	BS	CA	2901	F	6/21/2007	7/16/2007
110170	1F6NF53YX60	2008	BS	CA	2901	F	6/21/2007	7/16/2007
110171	1F6MF53Y770	2008	BS	CA	2701	F	7/11/2007	7/23/2007
110172	1F6NF53Y160	2008	BS	CA	3201	F	6/27/2007	7/19/2007
110173	1F6MF53Y470	2008	BS	CA	2901	F	8/1/2007	8/14/2007
110174	1F6NF53Y360	2008	BS	CA	3304	F	7/19/2007	7/31/2007
110175	1F6MF53Y470	2008	BS	CA	2901	F	7/23/2007	7/31/2007
110176	1F6MF53Y270	2008	BS	CA	2901	F	7/30/2007	8/8/2007
110177	1F6NF53YX60	2008	BS	CA	3201	F	8/2/2007	8/14/2007
110178	1F6NF53Y260	2008	BS	CA	3304	F	8/14/2007	8/23/2007
110179	1F6NF53Y060	2008	BS	CA	3201	F	8/13/2007	8/22/2007
110180	1F6MF53Y470	2008	BS	CA	2901	F	8/8/2007	8/20/2007
110181	1F6NF53Y160	2008	BS	CA	3202	F	8/9/2007	8/21/2007
110182	1F6MF53Y670	2008	BS	CA	2901	F	8/21/2007	8/30/2007
110183	1F6MF53Y670	2008	BS	CA	2901	F	8/27/2007	9/5/2007
110187	1F6MF53Y870	2008	BS	CA	2901	F	9/6/2007	9/18/2007
110188	1F6NF53Y460	2008	BS	CA	3304	F	8/27/2007	9/6/2007
110190	1F6MF53Y370	2008	BS	CA	2701	F	9/12/2007	9/24/2007
110191	1F6MF53YX70	2008	BS	CA	2901	F	9/19/2007	10/1/2007
110192	1F6NF53Y660	2008	BS	CA	3304	F	9/5/2007	9/13/2007
110193	1F6MF53Y870	2008	BS	CA	2901	F	8/28/2007	9/6/2007
110194	1F6NF53Y260	2008	BS	CA	3304	F	8/22/2007	8/30/2007
110195	1F6NF53Y860	2008	BS	CA	3201	F	9/5/2007	9/13/2007
110196	1F6NF53Y060	2008	BS	CA	3202	F	8/21/2007	8/30/2007
110197	1F6NF53YX60	2008	BS	CA	3202	F	9/6/2007	9/17/2007
110198	1F6NF53Y560	2008	BS	CA	3202	F	9/24/2007	10/3/2007
110200	1F6MF53Y070	2008	BS	CA	2901	F	8/21/2007	8/29/2007
110201	1F6MF53YX70	2008	BS	CA	2901	F	8/28/2007	9/7/2007
110202	1F6NF53Y160	2008	BS	CA	3102	F	9/17/2007	9/26/2007
110203	1F6MF53Y170	2008	BS	CA	2901	F	9/7/2007	9/18/2007
110204	1F6NF53Y160	2008	BS	CA	2901	F	9/10/2007	9/19/2007
110205	1F6NF53Y160	2008	BS	CA	3304	F	9/25/2007	10/4/2007
110207	1F6NF53Y360	2008	BS	CA	3304	F	9/18/2007	9/27/2007
110208	1F6MF53Y570	2008	BS	CA	2901	F	9/25/2007	10/4/2007
110209	1F6NF53Y560	2008	BS	CA	3202	F	10/1/2007	10/10/2007
110210	1F6NF53Y360	2008	BS	CA	3304	F	10/1/2007	10/10/2007
110211	1F6MF53Y870	2008	BS	CA	2901	F	10/9/2007	10/18/2007
110212	1F6MF53YX70	2008	BS	CA	2901	F	10/11/2007	10/23/2007
110213	1F6NF53Y760	2008	BS	CA	3202	F	10/18/2007	10/30/2007
110217	1F6NF53Y370	2008	BS	CA	3201	F	10/15/2007	10/25/2007
110219	1F6NF53Y570	2008	BS	CA	3304	F	10/30/2007	11/12/2007
110220	1F6NF53Y770	2008	BS	CA	3201	F	10/22/2007	10/31/2007

110222	1F6NF53Y270		2008 BS	CA	3202 F	10/30/2007	11/8/2007
110225	1F6MF53Y670		2008 BS	CA	2901 F	11/6/2007	11/15/2007
110226	1F6NF53Y470		2008 BS	CA	3202 F	11/8/2007	11/20/2007
110227	1F6MF53Y970		2008 BS	CA	2701 F	11/28/2007	12/6/2007
110228	1F6MF53Y070		2008 BS	CA	2901 F	11/29/2007	12/10/2007
110229	1F6MF53Y770		2008 BS	CA	2901 F	11/27/2007	12/5/2007
110230	1F6NF53Y270		2008 BS	CA	3304 F	11/19/2007	11/30/2007
110231	1F6NF53Y670		2008 BS	CA	2901 F	12/3/2007	12/13/2007
110232	1F6MF53Y270		2009 BS	CA	2901 F	11/30/2007	12/12/2007
110233	1F6NF53Y870		2008 BS	CA	3202 F	12/10/2007	12/19/2007
110234	1F6MF53Y470		2008 BS	CA	2901 F	12/11/2007	1/9/2008
110236	1F6NF53Y170		2008 BS	CA	3304 F	12/10/2007	1/9/2008
110237	1F6MF53Y470		2008 BS	CA	2901 F	12/13/2007	1/14/2008
110240	1F6NF53Y370		2008 BS	CA	3202 F	1/17/2008	1/30/2008
110241	1F6NF53Y570		2008 BS	CA	3201 F	1/21/2008	2/11/2008
110244	1F6NF53Y370		2008 BS	CA	3202 F	1/10/2008	1/22/2008
110245	1F6MF53Y470		2008 BS	CA	2901 F	1/17/2008	1/30/2008
110247	1F6MF53Y670		2008 BS	CA	2901 F	1/15/2008	1/28/2008
110248	1F6NF53YX70		2008 BS	CA	3202 F	1/15/2008	1/28/2008
110249	1F6NF53Y770		2008 BS	CA	3201 F	1/22/2008	2/13/2008
110250	1F6MF53Y070		2008 BS	CA	2901 F	1/22/2008	2/12/2008
110251	1F6NF53Y680		2008 BS	CA	3201 F	1/21/2008	2/11/2008
110252	1F6MF53Y780		2008 BS	CA	2901 F	1/30/2008	2/20/2008
110253	1F6MF53Y580		2008 BS	CA	2701 F	1/29/2008	2/19/2008
110254	1F6NF53Y880		2008 BS	CA	3202 F	1/30/2008	2/20/2008
110255	1F6MF53Y380		2008 BS	CA	2901 F	2/11/2008	2/25/2008
110257	1F6MF53Y780		2008 BS	CA	2901 F	2/13/2008	3/3/2008
110258	1F6MF53Y080		2008 BS	CA	2901 F	2/18/2008	3/5/2008
110259	1F6MF53Y580		2008 BS	CA	2901 F	2/18/2008	3/5/2008
110262	1F6MF53Y580		2008 BS	CA	2901 F	2/19/2008	3/11/2008
110263	1F6MF53Y580		2008 BS	CA	2701 F	3/4/2008	3/19/2008
110265	1F6NF53YX80		2008 BS	CA	2901 F	4/1/2008	4/15/2008
110266	1F6NF53Y680		2009 BS	CA	3304 F	4/2/2008	4/16/2008
110267	1F6MF53Y780		2009 BS	CA	2901 F	4/14/2008	4/23/2008
110268	1F6NF53YX80		2009 BS	CA	2901 F	4/9/2008	4/22/2008
110271	1F6NF53Y880		2009 BS	CA	3202 F	4/8/2008	4/17/2008
110272	1F6MF53Y980		2009 BS	CA	2901 F	4/14/2008	4/23/2008
110273	1F6NF53Y380		2009 BS	CA	3205 F	4/21/2008	5/2/2008
110274	1F6MF53Y580		2009 BS	CA	2901 F	4/22/2008	5/2/2008
110277	1F6NF53Y380		2009 BS	CA	3202 F	4/22/2008	5/5/2008
110278	1F6NF53Y380		2009 BS	CA	3205 F	4/15/2008	4/24/2008
110280	1F6MF53Y080		2009 BS	CA	2901 F	4/15/2008	4/24/2008
110281	1F6NF53Y180		2009 BS	CA	3202 F	4/15/2008	4/28/2008
110284	1F6NF53Y680		2009 BS	CA	2901 F	5/19/2008	5/28/2008
110285	1F6MF53YX80		2009 BS	CA	2901 F	5/28/2008	6/16/2008
110286	1F6NF53Y080		2009 BS	CA	3202 F	6/10/2008	7/15/2008
110287	1F6NF53Y380		2009 BS	CA	3205 F	5/27/2008	6/12/2008
110288	1F6NF53Y480		2009 BS	CA	3205 F	5/19/2008	5/30/2008
110289	1F6NF53Y180		2009 BS	CA	2901 F	5/22/2008	6/11/2008
110290	1F6MF53Y180		2009 BS	CA	2901 F	5/29/2008	6/17/2008
110291	1F6NF53Y980		2009 BS	CA	3202 F	6/9/2008	6/19/2008
110292	1F6MF53Y380		2009 BS	CA	2901 F	5/30/2008	6/18/2008

110294	1F6MF53Y580	2009 BS	CA	2702 F	6/11/2008	7/21/2008
110297	1F6MF53Y380	2009 BS	CA	2901 F	6/19/2008	8/6/2008
110301	1F6MF53Y080	2009 BS	CA	2901 F	9/22/2008	10/14/2008
110304	1F6MF53Y280	2009 BS	CA	2901 F	10/9/2008	11/3/2008
110305	1F6NF53Y780	2009 BS	CA	3202 F	10/28/2008	12/1/2008
110306	1F6NF53Y780	2009 BS	CA	3304 F	11/3/2008	12/4/2008
110307	1F6NF53Y580	2009 BS	CA	3201 F	10/28/2008	12/1/2008
110308	1F6MF53Y280	2009 BS	CA	2702 F	10/29/2008	12/2/2008
110309	1F6NF53Y980	2009 BS	CA	3202 F	2/4/2009	2/18/2009
110310	1F6MF53Y480	2009 BS	CA	2901 F	2/9/2009	2/19/2009
110313	1F6MF53YX80	2009 BS	CA	2901 F	2/17/2009	3/10/2009
110314	1F6NF53Y480	2009 BS	CA	3202 F	2/16/2009	3/9/2009
110316	1F6MF53Y880	2010 BS	CA	2702 F	2/12/2009	3/5/2009
110318	1F6NF53Y660	2009 BS	CA	3205 F	2/19/2009	3/11/2009
110320	1F6NF53YX80	2009 BS	CA	3201 F	3/3/2009	3/13/2009
110321	1F6NF53Y180	2009 BS	CA	3201 F	3/9/2009	3/17/2009
110322	1F6NF53Y880	2010 BS	CA	3202 F	4/2/2009	4/15/2009
110323	1F6MF53Y380	2010 BS	CA	2901 F	4/6/2009	4/16/2009
110324	1F6MF53Y580	2010 BS	CA	2901 F	4/2/2009	4/15/2009
110325	1F6NF53YX80	2010 BS	CA	3304 F	4/7/2009	4/16/2009
110326	1F6MF53Y180	2010 BS	CA	2901 F	4/8/2009	4/22/2009
110328	1F6NF53Y980	2010 BS	CA	3202 F	5/12/2009	5/26/2009
110329	1F6MF53Y580	2010 BS	CA	2901 F	6/1/2009	6/9/2009
110330	1F6MF53Y780	2010 BS	CA	2901 F	6/9/2009	6/18/2009
110331	1F6NF53Y180	2010 BS	CA	3202 F	6/2/2009	6/10/2009
110332	1F6MF53Y980	2010 BS	CA	2901 F	6/9/2009	6/17/2009
110334	1F6NF53Y380	2010 BS	CA	2901 F	6/23/2009	7/13/2009
110335	1F6NF53Y780	2010 BS	CA	3205 F	6/25/2009	7/15/2009
110336	1F6NF53Y580	2010 BS	CA	2702 F	7/6/2009	7/16/2009
110337	1F6NF53Y780	2010 BS	CA	2901 F	7/7/2009	7/16/2009
110338	1F6NF53Y980	2010 BS	CA	2901 F	7/8/2009	7/20/2009
110339	1F6NF53Y080	2010 BS	CA	2901 F	7/9/2009	7/21/2009
110340	1F6NF53Y380	2010 BS	CA	3202 F	7/9/2009	7/21/2009
110341	1F6NF53Y580	2010 BS	CA	2901 F	7/13/2009	7/22/2009
110343	1F6NF53Y980	2010 BS	CA	3202 F	7/15/2009	7/28/2009
110347	1F6NF53Y280	2010 BS	CA	3205 F	7/27/2009	8/5/2009
110348	1F6NF53Y080	2010 BS	CA	2901 F	7/28/2009	8/10/2009
110349	1F6NF53YX80	2010 BS	CA	2702 F	8/3/2009	8/13/2009
110350	1F6NF53Y380	2010 BS	CA	2901 F	8/4/2009	8/17/2009
110351	1F6NF53Y180	2010 BS	CA	3202 F	8/4/2009	8/17/2009
110352	1F6NF53Y780	2010 BS	CA	2901 F	8/12/2009	8/25/2009
110353	1F6NF53Y580	2010 BS	CA	2901 F	8/6/2009	8/19/2009
110357	1F6NF53YX90	2010 BS	CA	2901 F	8/20/2009	9/10/2009
110358	1F6NF53Y780	2010 BS	CA	3202 F	8/18/2009	9/8/2009
110359	1F6NF53Y290	2010 BS	CA	3304 F	8/24/2009	9/11/2009
110360	1F6MF53Y190	2010 BS	CA	2901 F	2/23/2010	3/4/2010
110361	1F6NF53Y490	2010 BS	CA	3202 F	2/23/2010	3/4/2010
110362	1F6MF53Y990	2010 BS	CA	2901 F	8/25/2009	9/14/2009
110363	1F6MF53Y990	2010 BS	CA	2901 F	8/26/2009	9/15/2009
110364	1F6MF53Y090	2010 BS	CA	2901 F	9/9/2009	9/21/2009
110365	1F6NF53Y490	2010 BS	CA	3201 F	9/8/2009	9/17/2009
110366	1F6MF53Y090	2010 BS	CA	2901 F	9/10/2009	9/23/2009

110367	1F6MF53Y290	2010 BS	CA	2901 F	9/14/2009	9/24/2009
110368	1F6MF53Y290	2010 BS	CA	2901 F	9/16/2009	9/29/2009
110369	1F6MF53Y390	2010 BS	CA	2901 F	9/23/2009	10/6/2009
110370	1F6NF53Y980	2010 BS	CA	3202 F	9/16/2009	9/29/2009
110371	1F6MF53Y590	2010 BS	CA	2901 F	9/22/2009	10/5/2009
110372	1F6MF53Y590	2010 BS	CA	2702 F	10/7/2009	10/20/2009
110373	1F6MF53Y790	2010 BS	CA	2901 F	9/30/2009	10/13/2009
110374	1F6NF53Y090	2010 BS	CA	3201 F	9/29/2009	10/12/2009
110375	1F6MF53Y390	2010 BS	CA	2901 F	10/6/2009	10/19/2009
110376	1F6MF53Y590	2010 BS	CA	2901 F	10/14/2009	10/26/2009
110377	1F6NF53Y690	2010 BS	CA	3202 F	10/6/2009	10/19/2009
110379	1F6MF53Y190	2010 BS	CA	2901 F	10/21/2009	10/30/2009
110380	1F6MF53Y790	2010 BS	CA	2901 F	10/14/2009	10/26/2009
110382	1F6MF53Y990	2010 BS	CA	2902 F	10/20/2009	10/28/2009
110383	1F6NF53Y390	2010 BS	CA	3304 F	10/22/2009	11/2/2009
110384	1F6MF53Y090	2010 BS	CA	2901 F	10/26/2009	11/4/2009
110385	1F6MF53Y290	2010 BS	CA	2902 F	10/23/2009	11/3/2009
110388	1F6NF53Y190	2010 BS	CA	3202 F	10/30/2009	11/10/2009
110389	1F6MF53Y890	2010 BS	CA	2902 F	11/2/2009	11/11/2009
110390	1F6MF53Y690	2010 BS	CA	2702 F	11/5/2009	11/16/2009
110391	1F6NF53Y390	2010 BS	CA	2901 F	11/4/2009	11/12/2009
110392	1F6MF53Y690	2010 BS	CA	2901 F	11/6/2009	11/16/2009
110393	1F6NF53Y990	2010 BS	CA	2901 F	12/8/2009	12/17/2009
110394	1F6MF53Y890	2010 BS	CA	2902 F	11/12/2009	11/20/2009
110395	1F6NF53Y790	2010 BS	CA	3304 F	11/10/2009	11/18/2009
110396	1F6MF53YX90	2010 BS	CA	2902 F	11/10/2009	11/18/2009
110397	1F6MF53Y990	2010 BS	CA	2901 F	1/12/2010	1/21/2010
110398	1F6NF53Y590	2010 BS	CA	3202 F	11/30/2009	12/8/2009
110399	1F6MF53Y190	2010 BS	CA	2901 F	12/3/2009	12/14/2009
110400	1F6MF53Y090	2010 BS	CA	2901 F	1/12/2010	1/21/2010
110401	1F6NF53Y990	2010 BS	CA	3202 F	1/11/2010	1/20/2010
110402	1F6MF53Y590	2010 BS	CA	2901 F	12/7/2009	12/16/2009
110403	1F6MF53Y390	2010 BS	CA	2901 F	12/4/2009	12/15/2009
110404	1F6NF53Y090	2010 BS	CA	3202 F	12/4/2009	12/15/2009
110405	1F6NF53Y290	2010 BS	CA	2902 F	12/7/2009	12/16/2009
110407	1F6MF53Y490	2010 BS	CA	2901 F	12/14/2009	1/14/2010
110409	1F6MF53Y990	2010 BS	CA	2901 F	1/14/2010	1/25/2010
110410	1F6NF53Y090	2010 BS	CA	3205 F	1/13/2010	1/22/2010
110412	1F6MF53Y290	2010 BS	CA	2702 F	1/19/2010	1/28/2010
110414	1F6MF53Y390	2010 BS	CA	2702 F	1/25/2010	2/3/2010
110415	1F6MF53Y490	2010 BS	CA	2901 F	2/4/2010	2/15/2010
110417	1F6MF53Y690	2010 BS	CA	2901 F	2/4/2010	2/15/2010
110418	1F6MF53Y490	2010 BS	CA	2901 F	2/17/2010	2/26/2010
110419	1F6MF53Y890	2010 BS	CA	2702 F	2/12/2010	2/23/2010
110421	1F6NF53Y290	2010 BS	CA	2901 F	2/18/2010	3/1/2010
110422	1F66F5DY2B0	2011 BS	CA	3302 F	3/9/2010	3/17/2010
110424	1F6MF53Y390	2010 BS	CA	2702 F	2/26/2010	3/9/2010
110430	1F6NF53Y190	2010 BS	CA	2901 F	3/12/2010	3/19/2010
110433	1F66F5DY4B0	2011 BS	CA	2902 F	3/22/2010	4/1/2010
110434	1F66F5DY6B0	2011 BS	CA	2902 F	3/18/2010	3/30/2010
110435	1F6MF53Y190	2011 BS	CA	2901 F	3/23/2010	4/5/2010
110436	1F66F5DY6B0	2011 BS	CA	3302 F	3/31/2010	4/12/2010

110437	1F6MF53Y390	2011 BS	CA	2901 F	4/1/2010	4/13/2010
110438	1F6MF53Y590	2011 BS	CA	2901 F	4/7/2010	4/16/2010
110439	1F66F5DY4B0	2010 BS	CA	2901 F	4/12/2010	4/21/2010
110440	1F6MF53Y090	2011 BS	CA	2901 F	4/16/2010	4/27/2010
110441	1F6MF53Y790	2011 BS	CA	2901 F	4/9/2010	4/20/2010
110442	1F6MF53Y990	2011 BS	CA	2901 F	4/13/2010	4/22/2010
110443	1F66F5DY0B0	2011 BS	CA	3302 F	4/20/2010	4/29/2010
110444	1F6MF53YX90	2011 BS	CA	2901 F	4/30/2010	5/11/2010
110445	1F66F5DY2B0	2011 BS	CA	3302 F	4/28/2010	5/7/2010
110446	1F6MF53Y290	2011 BS	CA	2901 F	4/28/2010	5/7/2010
110447	1F66F5DY4B0	2011 BS	CA	3302 F	4/23/2010	5/5/2010
110448	1F66F5DY6B0	2011 BS	CA	2901 F	5/4/2010	5/14/2010
110451	1F6MF53Y190	2011 BS	CA	2901 F	4/30/2010	5/11/2010
110452	1F66F5DYXB0	2011 BS	CA	2902 F	5/4/2010	5/12/2010
110453	1F6MF53Y390	2011 BS	CA	2901 F	5/7/2010	5/19/2010
110458	1F66F5DY3B0	2011 BS	CA	3302 F	5/11/2010	5/21/2010
110459	1F6MF53Y790	2011 BS	CA	2901 F	6/1/2010	6/10/2010
110460	1F66F5DY2B0	2011 BS	CA	3302 F	5/21/2010	6/1/2010
110461	1F6MF53Y590	2011 BS	CA	2702 F	6/2/2010	6/10/2010
110464	1F66F5DY9B0	2011 BS	CA	3302 F	6/18/2010	6/29/2010
110465	1F6MF53Y990	2011 BS	CA	2901 F	6/17/2010	6/28/2010
110466	1F6MF53Y090	2011 BS	CA	2901 F	6/22/2010	7/12/2010
110468	1F66F5DY4B0	2011 BS	CA	2901 F	6/21/2010	6/30/2010
110470	1F6MF53Y090	2011 BS	CA	2901 F	6/23/2010	7/14/2010
110471	1F66F5DY0B0	2011 BS	CA	3205 F	6/22/2010	7/13/2010
110472	1F6MF53Y290	2011 BS	CA	2702 F	6/24/2010	7/15/2010
110473	1F66F5DY6B0	2011 BS	CA	3302 F	6/30/2010	7/20/2010
110474	1F65F5DY0B0	2011 BS	CA	2901 F	7/12/2010	7/21/2010
110475	1F65F5DY2B0	2011 BS	CA	2901 F	6/29/2010	7/19/2010
110478	1F65F5DY8B0	2011 BS	CA	2901 F	7/16/2010	7/28/2010
110482	1F66F5DY7B0	2011 BS	CA	3302 F	7/26/2010	8/4/2010
110484	1F66F5DY5B0	2011 BS	CA	3302 F	7/22/2010	8/3/2010
110485	1F66F5DY9B0	2011 BS	CA	2902 F	8/3/2010	8/12/2010
110486	1F65F5DY0B0	2011 BS	CA	2901 F	7/29/2010	8/9/2010
110487	1F66F5DY7B0	2011 BS	CA	2902 F	7/28/2010	8/6/2010
110490	1F65F5DY9B0	2011 BS	CA	2901 F	8/3/2010	8/12/2010
110491	1F65F5DY2B0	2011 BS	CA	2901 F	8/5/2010	8/16/2010
110492	1F65F5DY0B0	2011 BS	CA	2901 F	8/6/2010	8/17/2010
110493	1F66F5DY1B0	2011 BS	CA	2901 F	8/11/2010	8/20/2010
110495	1F66F5DY9B0	2011 BS	CA	3302 F	8/20/2010	8/31/2010
110496	1F66F5DY5B0	2011 BS	CA	3405 F	8/13/2010	8/24/2010
110497	1F66F5DY0B0	2011 BS	CA	3302 F	8/17/2010	8/27/2010
110499	1F65F5DY1B0	2011 BS	CA	2901 F	8/12/2010	8/24/2010
110500	1F66F5DY4B0	2011 BS	CA	3302 F	8/17/2010	8/26/2010
110501	1F65F5DY6B0	2011 BS	CA	2901 F	8/16/2010	8/25/2010
110502	1F65F5DY5B0	2011 BS	CA	2901 F	8/18/2010	8/27/2010
110503	1F66F5DY7B0	2011 BS	CA	3205 F	8/24/2010	9/2/2010
110504	1F66F5DY2B0	2011 BS	CA	2901 F	8/25/2010	9/3/2010
110505	1F65F5DY7B0	2011 BS	CA	2901 F	8/31/2010	9/10/2010
110506	1F65F5DY3B0	2011 BS	CA	2901 F	8/27/2010	9/8/2010
110507	1F66F5DY3B0	2011 BS	CA	3205 F	8/27/2010	9/9/2010
110508	1F66F5DY5B0	2011 BS	CA	3302 F	9/1/2010	9/13/2010

110512	1F65F5DY9B0	2011 BS	CA	2702 F	9/8/2010	9/20/2010
110513	1F65F5DYXB0	2011 BS	CA	2901 F	9/2/2010	9/14/2010
110514	1F66F5DY5B0	2011 BS	CA	3205 F	9/3/2010	9/15/2010
110515	1F66F5DYXB0	2011 BS	CA	2902 F	9/9/2010	9/20/2010
110516	1F66F5DY7B0	2011 BS	CA	2902 F	9/10/2010	9/22/2010
110517	1F65F5DY1B0	2011 BS	CA	2901 F	9/15/2010	9/24/2010
110518	1F65F5DY5B0	2011 BS	CA	2901 F	9/13/2010	9/22/2010
110519	1F65F5DY9B0	2011 BS	CA	2901 F	9/20/2010	9/29/2010
110520	1F66F5DY1B0	2011 BS	CA	2902 F	9/21/2010	9/30/2010
110521	1F66F5DY1B0	2011 BS	CA	2901 F	9/23/2010	10/4/2010
110522	1F66F5DY8B0	2011 BS	CA	2901 F	9/24/2010	10/5/2010
110523	1F66F5DYXB0	2011 BS	CA	3302 F	9/29/2010	10/8/2010
110524	1F66F5DY3B0	2011 BS	CA	3302 F	9/24/2010	10/6/2010
110525	1F66F5DYXB0	2011 BS	CA	3302 F	9/28/2010	10/7/2010
110526	1F65F5DY5B0	2011 BS	CA	2901 F	10/1/2010	10/13/2010
110527	1F66F5DY1B0	2011 BS	CA	3205 F	10/4/2010	10/14/2010
110528	1F66F5DY2B0	2011 BS	CA	3302 F	10/5/2010	10/15/2010
110529	1F65F5DY3B0	2011 BS	CA	2901 F	9/30/2010	10/12/2010
110530	1F65F5DY7B0	2011 BS	CA	2901 F	10/8/2010	10/19/2010
110531	1F66F5DYXB0	2011 BS	CA	2901 F	10/14/2010	10/26/2010
110532	1F66F5DY4B0	2011 BS	CA	3205 F	10/13/2010	10/25/2010
110534	1F66F5DY3B0	2011 BS	CA	3302 F	10/19/2010	10/28/2010
110535	1F65F5DY9B0	2011 BS	CA	2901 F	10/18/2010	10/27/2010
110536	1F66F5DY1B0	2011 BS	CA	3302 F	10/26/2010	11/4/2010
110537	1F65F5DY8B0	2011 BS	CA	2702 F	10/22/2010	11/2/2010
110538	1F66F5DY6B0	2011 BS	CA	3302 F	11/8/2010	11/17/2010
110539	1F65F5DYXB0	2011 BS	CA	2901 F	11/9/2010	11/18/2010
110540	1F65F5DY1B0	2011 BS	CA	2901 F	11/9/2010	11/18/2010
110541	1F65F5DY0B0	2011 BS	CA	2702 F	11/11/2010	11/22/2010
110542	1F66F5DYXB0	2011 BS	CA	3405 F	11/8/2010	11/17/2010
110543	1F66F5DY9B0	2011 BS	CA	3405 F	11/18/2010	11/30/2010
110544	1F66F5DY8B0	2011 BS	CA	2902 F	11/10/2010	11/19/2010
110545	1F65F5DY9B0	2011 BS	CA	2702 F	11/15/2010	11/24/2010
110546	1F65F5DY7B0	2011 BS	CA	2702 F	11/16/2010	11/29/2010
110547	1F65F5DY2B0	2011 BS	CA	2901 F	11/16/2010	11/29/2010
110548	1F66F5DY2B0	2011 BS	CA	3302 F	11/12/2010	11/23/2010
110549	1F65F5DY6B0	2011 BS	CA	2901 F	11/30/2010	12/8/2010
110550	1F65F5DY8B0	2011 BS	CA	2702 F	11/19/2010	12/2/2010
110551	1F65F5DYXB0	2011 BS	CA	2901 F	11/22/2010	12/2/2010
110552	1F66F5DY0B0	2011 BS	CA	3302 F	11/29/2010	12/8/2010
110553	1F66F5DY0B0	2011 BS	CA	3302 F	11/29/2010	12/8/2010
110554	1F66F5DY9B0	2011 BS	CA	2901 F	11/24/2010	12/7/2010
110555	1F66F5DY4B0	2011 BS	CA	3302 F	12/7/2010	12/15/2010
110556	1F65F5DY3B0	2011 BS	CA	2901 F	12/6/2010	12/14/2010
110557	1F65F5DY0B0	2011 BS	CA	2901 F	12/3/2010	12/14/2010
110558	1F65F5DY9B0	2011 BS	CA	2901 F	11/23/2010	12/6/2010
110559	1F66F5DY2B0	2011 BS	CA	2901 F	12/7/2010	12/16/2010
110562	1F65F5DY3B0	2011 BS	CA	2901 F	1/3/2011	1/13/2011
110563	1F66F5DY2B0	2011 BS	CA	2901 F	12/15/2010	1/11/2011
110565	1F66F5DY4B0	2011 BS	CA	2901 F	1/4/2011	1/13/2011
110566	1F65F5DY0B0	2011 BS	CA	2901 F	1/5/2011	1/17/2011
110567	1F66F5DY6B0	2011 BS	CA	2902 F	12/16/2010	1/12/2011

110568	1F66F5DY8B0	2011 BS	CA	3302 F	12/16/2010	1/12/2011
110569	1F65F5DY7B0	2011 BS	CA	2901 F	1/12/2011	1/21/2011
110570	1F65F5DY1B0	2011 BS	CA	2901 F	1/21/2011	2/1/2011
110571	1F65F5DY0B0	2011 BS	CA	2901 F	2/21/2011	3/1/2011
110572	1F66F5DYXB0	2011 BS	CA	2901 F	1/26/2011	2/4/2011
110573	1F66F5DY1B0	2011 BS	CA	2901 F	1/25/2011	2/4/2011
110574	1F65F5DY3B0	2011 BS	CA	2901 F	1/19/2011	1/28/2011
110575	1F66F5DY8B0	2011 BS	CA	2902 F	1/20/2011	1/31/2011
110576	1F66F5DY3B0	2011 BS	CA	2901 F	2/3/2011	2/11/2011
110577	1F65F5DY6B0	2011 BS	CA	2901 F	1/28/2011	2/8/2011
110578	1F65F5DY9B0	2011 BS	CA	2901 F	2/1/2011	2/10/2011
110579	1F65F5DY8B0	2011 BS	CA	2901 F	2/4/2011	2/14/2011
110580	1F66F5DY5B0	2011 BS	CA	3302 F	2/9/2011	2/17/2011
110581	1F66F5DY7B0	2011 BS	CA	3302 F	2/23/2011	3/4/2011
110582	1F65F5DY9B0	2011 BS	CA	2901 F	2/14/2011	2/22/2011
110583	1F65F5DY0B0	2011 BS	CA	2901 F	2/17/2011	2/24/2011
110584	1F65F5DY2B0	2011 BS	CA	2901 F	2/24/2011	3/7/2011
110585	1F66F5DY5B0	2011 BS	CA	2902 F	2/15/2011	2/23/2011
110586	1F66F5DYXB0	2011 BS	CA	2901 F	3/11/2011	3/23/2011
110587	1F65F5DY8B0	2011 BS	CA	2901 F	3/1/2011	3/10/2011
110588	1F66F5DY9B0	2011 BS	CA	2901 F	2/28/2011	3/9/2011
110589	1F66F5DY4B0	2012 BS	CA	3305 F	3/28/2011	4/6/2011
110590	1F66F5DYXB0	2011 BS	CA	3302 F	3/2/2011	3/11/2011
110591	1F65F5DY1B0	2011 BS	CA	2901 F	3/9/2011	3/21/2011
110592	1F66F5DY7B0	2011 BS	CA	2902 F	3/17/2011	3/28/2011
110594	1F66F5DY6B0	2011 BS	CA	2902 F	3/7/2011	3/16/2011
110595	1F65F5DYXB0	2011 BS	CA	2702 F	3/8/2011	3/17/2011
110596	1F65F5DY6B0	2011 BS	CA	2901 F	3/9/2011	3/18/2011
110597	1F65F5DY8B0	2011 BS	CA	2901 F	3/4/2011	3/15/2011
110598	1F65F5DYXB0	2011 BS	CA	2901 F	3/10/2011	3/21/2011
110599	1F66F5DY1B0	2011 BS	CA	2901 F	3/14/2011	3/23/2011
110600	1F65F5DY3B0	2011 BS	CA	2702 F	3/11/2011	3/22/2011
110601	1F66F5DY4B0	2011 BS	CA	3302 F	3/15/2011	3/24/2011
110602	1F66F5DY6B0	2011 BS	CA	2901 F	3/24/2011	4/4/2011
110603	1F66F5DYXB0	2011 BS	CA	2902 F	3/22/2011	3/31/2011
110604	1F66F5DY6B0	2011 BS	CA	2901 F	3/23/2011	4/1/2011
110605	1F66F5DY3B0	2011 BS	CA	2902 F	3/23/2011	3/31/2011
110606	1F65F5DY9B0	2011 BS	CA	2901 F	3/29/2011	4/7/2011
110607	1F66F5DY8B0	2011 BS	CA	2901 F	3/31/2011	4/11/2011
110608	1F66F5DY1B0	2011 BS	CA	3205 F	4/1/2011	4/12/2011
110609	1F65F5DY5B0	2011 BS	CA	2702 F	3/25/2011	4/5/2011
110610	1F66F5DYXB0	2011 BS	CA	2901 F	4/5/2011	4/14/2011
110611	1F66F5DY8B0	2011 BS	CA	2902 F	3/30/2011	4/7/2011
110612	1F65F5DY2B0	2011 BS	CA	2901 F	4/6/2011	4/15/2011
110613	1F65F5DY9B0	2011 BS	CA	2901 F	4/7/2011	4/18/2011
110614	1F65F5DY1B0	2011 BS	CA	2901 F	4/13/2011	4/25/2011
110615	1F65F5DY3B0	2011 BS	CA	2901 F	4/14/2011	4/26/2011
110616	1F65F5DY0B0	2011 BS	CA	2901 F	3/31/2011	4/8/2011
110617	1F65F5DY0B0	2011 BS	CA	2901 F	4/1/2011	4/12/2011
110618	1F66F5DY7B0	2011 BS	CA	3302 F	4/4/2011	4/13/2011
110620	1F65F5DY8B0	2011 BS	CA	2901 F	4/20/2011	5/2/2011
110621	1F66F5DY9B0	2011 BS	CA	2901 F	4/11/2011	4/21/2011

110622	1F65F5DYXB0	2011 BS	CA	2901 F	4/19/2011	4/29/2011
110623	1F66F5DY0B0	2011 BS	CA	3302 F	4/8/2011	4/19/2011
110624	1F66F5DY2B0	2011 BS	CA	2901 F	4/27/2011	5/6/2011
110627	1F66F5DY0B0	2011 BS	CA	3302 F	5/2/2011	5/11/2011
110629	1F65F5DY1B0	2011 BS	CA	2702 F	4/28/2011	5/9/2011
110630	1F66F5DY8B0	2011 BS	CA	2901 F	5/4/2011	5/16/2011
110631	1F65F5DY3B0	2011 BS	CA	2702 F	5/3/2011	5/13/2011
110632	1F65F5DY8B0	2011 BS	CA	2901 F	5/3/2011	5/12/2011
110636	1F66F5DY8B0	2011 BS	CA	2901 F	5/5/2011	5/16/2011
110638	1F65F5DY9B0	2011 BS	CA	2901 F	5/5/2011	5/17/2011
110639	1F66F5DY6B0	2012 BS	CA	3002 F	5/23/2011	6/6/2011
110640	1F66F5DY8B0	2012 BS	CA	3310 F	5/24/2011	6/7/2011
110641	1F65F5DY0B0	2011 BS	CA	2901 F	5/12/2011	5/23/2011
110642	1F66F5DYXB0	2011 BS	CA	2901 F	5/18/2011	5/31/2011
110643	1F65F5DY2B0	2011 BS	CA	2901 F	5/16/2011	5/25/2011
110644	1F66F5DYXB0	2012 BS	CA	2901 F	5/31/2011	6/13/2011
110645	1F66F5DY1B0	2012 BS	CA	2901 F	5/26/2011	6/8/2011
110646	1F65F5DY4B0	2011 BS	CA	2702 F	5/25/2011	6/7/2011
110647	1F65F5DY6B0	2011 BS	CA	2702 F	5/20/2011	6/1/2011
110648	1F65F5DY3B0	2011 BS	CA	2901 F	5/19/2011	5/31/2011
110649	1F66F5DY9B0	2012 BS	CA	3310 F	5/27/2011	6/10/2011
110650	1F66F5DY8B0	2012 BS	CA	3305 F	6/6/2011	6/15/2011
110651	1F66F5DY6B0	2012 BS	CA	3002 F	6/8/2011	6/17/2011
110652	1F66F5DYXB0	2012 BS	CA	3310 F	6/7/2011	6/16/2011
110653	1F65F5DY5B0	2012 BS	CA	2901 F	5/25/2011	6/8/2011
110657	1F66F5DY7B0	2012 BS	CA	3305 F	6/14/2011	6/23/2011
110659	1F65F5DY7B0	2012 BS	CA	2901 F	6/9/2011	6/20/2011
110660	1F66F5DY1B0	2012 BS	CA	3305 F	6/10/2011	6/21/2011
110661	1F66F5DY3B0	2012 BS	CA	2901 F	6/15/2011	6/27/2011
110662	1F65F5DY1B0	2012 BS	CA	2901 F	6/13/2011	6/22/2011
110663	1F66F5DY0B0	2012 BS	CA	3302 F	6/22/2011	7/12/2011
110664	1F65F5DY8B0	2012 BS	CA	2901 F	6/21/2011	6/30/2011
110667	1F65F5DYXB0	2012 BS	CA	2901 F	6/16/2011	6/28/2011
110668	1F66F5DY4B0	2012 BS	CA	2901 F	6/29/2011	7/18/2011
110669	1F65F5DY1B0	2012 BS	CA	2901 F	6/29/2011	7/19/2011
110670	1F66F5DYXB0	2012 BS	CA	3002 F	6/30/2011	7/19/2011
110675	1F66F5DY9B0	2012 BS	CA	3310 F	9/6/2011	9/15/2011
110676	1F66F5DY2B0	2012 BS	CA	3002 F	9/9/2011	9/20/2011
110678	1F65F5DY2B0	2012 BS	CA	2901 F	7/22/2011	8/3/2011
110679	1F66F5DY4B0	2012 BS	CA	3002 F	7/25/2011	8/4/2011
110680	1F65F5DY4B0	2012 BS	CA	2901 F	7/27/2011	8/9/2011
110681	1F66F5DY8B0	2012 BS	CA	3002 F	7/26/2011	8/9/2011
110682	1F65F5DY2B0	2012 BS	CA	2901 F	7/27/2011	8/10/2011
110683	1F65F5DY9B0	2012 BS	CA	2901 F	7/28/2011	8/10/2011
110684	1F66F5DY3B0	2012 BS	CA	3302 F	8/2/2011	8/15/2011
110685	1F66F5DY1B0	2012 BS	CA	3305 F	8/3/2011	8/15/2011
110686	1F66F5DY1B0	2012 BS	CA	3302 F	8/8/2011	8/17/2011
110687	1F65F5DY0B0	2012 BS	CA	2702 F	8/10/2011	8/19/2011
110688	1F65F5DY5B0	2012 BS	CA	2702 F	8/3/2011	8/16/2011
110689	1F66F5DY3B0	2012 BS	CA	2901 F	8/8/2011	8/17/2011
110690	1F66F5DYXB0	2012 BS	CA	3002 F	8/9/2011	8/18/2011
110691	1F66F5DY3B0	2012 BS	CA	3302 F	8/15/2011	8/25/2011

110692	1F65F5DY7B0	2012 BS	CA	2901 F	8/10/2011	8/22/2011
110693	1F65F5DY0B0	2012 BS	CA	2901 F	8/12/2011	8/23/2011
110694	1F65F5DY9B0	2012 BS	CA	2901 F	8/15/2011	8/24/2011
110695	1F66F5DY7B0	2012 BS	CA	2901 F	8/19/2011	8/30/2011
110696	1F65F5DY2B0	2012 BS	CA	2901 F	8/17/2011	8/26/2011
110697	1F65F5DY9B0	2012 BS	CA	2702 F	8/16/2011	8/25/2011
110698	1F66F5DYXB0	2012 BS	CA	2901 F	8/17/2011	8/29/2011
110699	1F66F5DY5B0	2012 BS	CA	3310 F	8/12/2011	8/24/2011
110700	1F66F5DY5B0	2012 BS	CA	3002 F	8/23/2011	9/1/2011
110701	1F66F5DY0B0	2012 BS	CA	3302 F	8/24/2011	9/6/2011
110702	1F65F5DY0B0	2012 BS	CA	2901 F	8/18/2011	8/30/2011
110703	1F66F5DY2B0	2012 BS	CA	2901 F	8/31/2011	9/13/2011
110704	1F66F5DY4B0	2012 BS	CA	2901 F	9/16/2011	9/28/2011
110709	1F66F5DY0B0	2012 BS	CA	2901 F	9/1/2011	9/14/2011
110710	1F66F5DY4C0	2012 BS	CA	2901 F	8/31/2011	9/14/2011
110711	1F65F5DY5B0	2012 BS	CA	2901 F	9/19/2011	10/3/2011
110713	1F66F5DY6C0	2012 BS	CA	3302 F	9/9/2011	9/21/2011
110714	1F65F5DY7B0	2012 BS	CA	2901 F	9/12/2011	9/21/2011
110715	1F66F5DY8C0	2012 BS	CA	3310 F	9/14/2011	9/26/2011
110716	1F66F5DY3C0	2012 BT	CA	3310 F	10/10/2011	10/19/2011
110717	1F65F5DY9C0	2012 BT	CA	2901 F	10/13/2011	10/24/2011
110718	1F65F5DY2B0	2012 BS	CA	2901 F	9/21/2011	10/4/2011
110719	1F66F5DYXC0	2012 BS	CA	3002 F	10/4/2011	10/13/2011
110720	1F66F5DY1C0	2012 BS	CA	3305 F	10/3/2011	10/12/2011
110721	1F66F5DY1C0	2012 BS	CA	3002 F	10/6/2011	10/17/2011
110722	1F66F5DY4B0	2012 BS	CA	3302 F	10/6/2011	10/18/2011
110726	1F65F5DY0B0	2012 BS	CA	2901 F	10/19/2011	10/28/2011
110727	1F66F5DY7C0	2012 BS	CA	3305 F	10/19/2011	10/28/2011
110728	1F66F5DY3C0	2012 BS	CA	3302 F	10/17/2011	10/26/2011
110729	1F65F5DY7C0	2012 BS	CA	2901 F	10/31/2011	11/8/2011
110730	1F66F5DY9C0	2012 BS	CA	2901 F	11/2/2011	11/10/2011
110732	1F65F5DY4B0	2012 BS	CA	2702 F	11/3/2011	11/11/2011
110733	1F66F5DY0C0	2012 BS	CA	3310 F	10/28/2011	11/8/2011
110734	1F66F5DY0C0	2012 BS	CA	3002 F	10/27/2011	11/7/2011
110735	1F66F5DY2C0	2012 BS	CA	3305 F	10/25/2011	11/3/2011
110736	1F66F5DY5C0	2012 BS	CA	2901 F	11/8/2011	11/16/2011
110737	1F66F5DY7C0	2012 BS	CA	3002 F	11/9/2011	11/17/2011
110738	1F65F5DY9C0	2012 BS	CA	2901 F	11/7/2011	11/15/2011
110739	1F66F5DY9C0	2012 BS	CA	3302 F	11/9/2011	11/17/2011
110740	1F66F5DY7C0	2012 BS	CA	3302 F	11/15/2011	11/23/2011
110741	1F66F5DY5C0	2012 BS	CA	3002 F	11/10/2011	11/18/2011
110742	1F65F5DY2C0	2012 BS	CA	2901 F	11/28/2011	12/5/2011
110743	1F66F5DY0C0	2012 BS	CA	3302 F	11/29/2011	12/6/2011
110744	1F66F5DY9C0	2012 BS	CA	3002 F	11/29/2011	12/7/2011
110745	1F65F5DY0C0	2012 BS	CA	2901 F	11/30/2011	12/8/2011
110746	1F66F5DY7C0	2012 BS	CA	2901 F	12/9/2011	12/20/2011
110747	1F65F5DY0C0	2012 BS	CA	2901 F	12/1/2011	12/8/2011
110748	1F66F5DY2C0	2012 BS	CA	3302 F	12/1/2011	12/9/2011
110749	1F66F5DY5C0	2012 BS	CA	3002 F	12/5/2011	12/13/2011
110750	1F66F5DY7C0	2012 BS	CA	3002 F	12/7/2011	12/15/2011
110751	1F66F5DY0C0	2012 BS	CA	2901 F	12/13/2011	12/22/2011
110752	1F65F5DY4C0	2012 BS	CA	2901 F	12/7/2011	12/16/2011

110755	1F66F5DY2C0	2012 BS	CA	3002 F	12/14/2011	1/9/2012
110756	1F66F5DY6C0	2012 BS	CA	3002 F	12/16/2011	1/11/2012
110757	1F66F5DY8C0	2012 BS	CA	3002 F	1/11/2012	1/20/2012
110758	1F66F5DY5C0	2012 BS	CA	2901 F	2/2/2012	2/13/2012
110759	1F66F5DYXC0	2012 BS	CA	3310 F	1/19/2012	1/30/2012
110760	1F66F5DY6C0	2012 BS	CA	3002 F	1/25/2012	2/2/2012
110761	1F65F5DYXC0	2012 BT	CA	2901 F	1/20/2012	1/31/2012
110763	1F66F5DY8C0	2012 BT	CA	3310 F	1/16/2012	1/26/2012
110764	1F65F5DY6C0	2012 BT	CA	2901 F	2/22/2012	3/5/2012
110765	1F66F5DY6C0	2012 BT	CA	3310 F	2/21/2012	3/1/2012
110772	1F65F5DYXC0	2012 BT	CA	2901 F	1/18/2012	1/27/2012
110773	1F66F5DY6C0	2012 BT	CA	3310 F	1/12/2012	1/23/2012
110774	1F65F5DY8C0	2012 BT	CA	2901 F	1/13/2012	1/24/2012
110775	1F66F5DY1C0	2012 BS	CA	3305 F	1/23/2012	1/31/2012
110776	1F65F5DY6C0	2012 BT	CA	2702 F	1/26/2012	2/3/2012
110777	1F65F5DY4C0	2012 BT	CA	2702 F	2/2/2012	2/13/2012
110778	1F65F5DY4C0	2012 BT	CA	2901 F	1/24/2012	2/2/2012
110779	1F65F5DY6C0	2012 BT	CA	2901 F	1/31/2012	2/8/2012
110780	1F66F5DY4C0	2012 BS	CA	3302 F	2/7/2012	2/16/2012
110781	1F65F5DY8C0	2012 BT	CA	2901 F	1/27/2012	2/7/2012
110784	1F65F5DY1C0	2012 BT	CA	2901 F	2/3/2012	2/14/2012
110785	1F66F5DY3C0	2012 BT	CA	3310 F	2/6/2012	2/16/2012
110786	1F65F5DY4C0	2012 BT	CA	2702 F	2/14/2012	2/24/2012
110787	1F66F5DY4C0	2012 BS	CA	3002 F	2/14/2012	2/23/2012
110788	1F65F5DY3C0	2013 BT	CA	2901 F	2/9/2012	2/21/2012
110789	1F66F5DY8C0	2013 BS	CA	3209 F	2/20/2012	3/1/2012
110790	1F66F5DY2C0	2012 BS	CA	2901 F	2/10/2012	2/21/2012
110791	1F66F5DY8C0	2012 BS	CA	3002 F	2/17/2012	2/28/2012
110792	1F66F5DY1C0	2012 BS	CA	3002 F	2/28/2012	3/8/2012
110796	1F66F5DY7C0	2012 BS	CA	3002 F	3/2/2012	3/14/2012
110797	1F66F5DY9C0	2012 BS	CA	3305 F	3/5/2012	3/19/2012
110798	1F66F5DY9C0	2012 BS	CA	2901 F	3/19/2012	4/9/2012
110799	1F66F5DY0C0	2012 BS	CA	3002 F	3/22/2012	4/12/2012
110800	1F66F5DY2C0	2012 BS	CA	3305 F	3/15/2012	3/29/2012
110801	1F66F5DY0C0	2012 BS	CA	3305 F	3/14/2012	3/28/2012
110802	1F66F5DY4C0	2012 BS	CA	3305 F	3/21/2012	4/11/2012
110803	1F66F5DY9C0	2012 BS	CA	3302 F	3/27/2012	4/13/2012
110804	1F66F5DY0C0	2012 BS	CA	3302 F	3/27/2012	4/16/2012
110805	1F66F5DY2C0	2012 BS	CA	3302 F	3/29/2012	4/17/2012
110809	1F65F5DYXC0	2012 BT	CA	2901 F	4/26/2012	5/7/2012
110810	1F65F5DY8C0	2012 BT	CA	2901 F	4/27/2012	5/8/2012
110811	1F65F5DY6C0	2012 BS	CA	2901 F	4/27/2012	5/9/2012
110812	1F66F5DY6C0	2012 BS	CA	3002 F	5/2/2012	5/14/2012
110813	1F66F5DY4C0	2012 BS	CA	3002 F	4/18/2012	5/1/2012
110816	1F66F5DY2C0	2013 BS	CA	2901 F	4/25/2012	5/7/2012
110817	1F66F5DY4C0	2013 BS	CA	3209 F	5/2/2012	5/11/2012
110818	1F66F5DY6C0	2013 BS	CA	2901 F	4/30/2012	5/10/2012
110819	1F66F5DY2C0	2013 BS	CA	3002 F	5/4/2012	5/15/2012
110820	1F66F5DYXC0	2013 BS	CA	3012 F	5/8/2012	5/16/2012
110821	1F66F5DY8C0	2013 BS	CA	3012 F	5/8/2012	5/18/2012
110822	1F65F5DYXC0	2013 BT	CA	2702 F	5/9/2012	5/21/2012
110823	1F66F5DY4C0	2013 BT	CA	3310 F	6/6/2012	6/14/2012

110824	1F66F5DY2C0	2013 BS	CA	3209 F	5/29/2012	6/6/2012
110825	1F66F5DY0C0	2013 BS	CA	3012 F	5/30/2012	6/7/2012
110826	1F66F5DY4C0	2013 BS	CA	3302 F	5/10/2012	5/22/2012
110827	1F65F5DYXC0	2012 BS	CA	2702 F	5/21/2012	5/30/2012
110828	1F66F5DY1C0	2013 BS	CA	2901 F	5/14/2012	5/23/2012
110829	1F66F5DY6C0	2013 BS	CA	3209 F	5/11/2012	5/23/2012
110831	1F66F5DY8C0	2013 BS	CA	3209 F	5/18/2012	5/29/2012
110834	1F66F5DY6C0	2013 BS	CA	3012 F	6/5/2012	6/13/2012
110835	1F66F5DY7C0	2013 BS	CA	2901 F	5/24/2012	6/5/2012
110836	1F65F5DY1C0	2013 BT	CA	2702 F	5/23/2012	6/4/2012
110837	1F66F5DY5C0	2013 BS	CA	3002 F	5/22/2012	6/1/2012
110838	1F66F5DY4C0	2013 BS	CA	2901 F	6/13/2012	6/20/2012
110839	1F65F5DY9C0	2013 BT	CA	2901 F	6/12/2012	6/19/2012
110840	1F66F5DY6C0	2013 BS	CA	2901 F	6/14/2012	6/21/2012
110841	1F65F5DY1C0	2013 BT	CA	2901 F	7/10/2012	7/19/2012
110842	1F65F5DYXC0	2013 BT	CA	2901 F	6/12/2012	6/20/2012
110843	1F66F5DY7C0	2013 BS	CA	3209 F	6/13/2012	6/21/2012
110847	1F66F5DY0C0	2013 BS	CA	2901 F	7/13/2012	7/24/2012
110848	1F66F5DY9C0	2013 BS	CA	3209 F	6/20/2012	7/9/2012
110850	1F66F5DY2C0	2013 BS	CA	3012 F	6/25/2012	7/12/2012
110851	1F66F5DY2C0	2013 BS	CA	3002 F	7/17/2012	7/26/2012
110852	1F66F5DY4C0	2013 BS	CA	2901 F	7/18/2012	7/27/2012
110853	1F66F5DY0C0	2013 BS	CA	3002 F	7/11/2012	7/20/2012
110854	1F65F5DY7C0	2013 BT	CA	2901 F	7/16/2012	7/24/2012
110855	1F66F5DY9C0	2013 BS	CA	3012 F	6/27/2012	7/17/2012
110856	1F66F5DY0C0	2013 BT	CA	3310 F	6/22/2012	7/11/2012
110857	1F65F5DY5C0	2013 BT	CA	2901 F	7/18/2012	7/26/2012
110858	1F66F5DY0D0	2013 BS	CA	2901 F	7/20/2012	7/31/2012
110859	1F66F5DY2D0	2013 BS	CA	3012 F	7/20/2012	7/31/2012
110860	1F66F5DY1D0	2013 BS	CA	3209 F	7/31/2012	8/9/2012
110861	1F66F5DY2D0	2013 BS	CA	2901 F	8/8/2012	8/17/2012
110862	1F65F5DY9C0	2013 BT	CA	2901 F	7/24/2012	8/1/2012
110863	1F66F5DY4D0	2013 BS	CA	2901 F	8/15/2012	8/24/2012
110864	1F66F5DY3D0	2013 BS	CA	3012 F	8/1/2012	8/10/2012
110865	1F66F5DY4D0	2013 BS	CA	3002 F	8/9/2012	8/20/2012
110866	1F65F5DY5C0	2013 BT	CA	2702 F	8/1/2012	8/10/2012
110867	1F65F5DY7C0	2013 BT	CA	2702 F	7/30/2012	8/8/2012
110868	1F66F5DY4D0	2013 BS	CA	2901 F	7/25/2012	8/3/2012
110870	1F66F5DY2D0	2013 BS	CA	3209 F	8/9/2012	8/20/2012
110872	1F65F5DY6C0	2013 BT	CA	2702 F	8/28/2012	9/6/2012
110873	1F65F5DY2C0	2013 BT	CA	2702 F	8/21/2012	8/30/2012
110874	1F66F5DYXD0	2013 BS	CA	3002 F	8/31/2012	9/12/2012
110875	1F66F5DY1D0	2013 BS	CA	3012 F	8/30/2012	9/11/2012
110876	1F66F5DYXD0	2013 BS	CA	2901 F	8/22/2012	8/30/2012
110877	1F66F5DY1D0	2013 BS	CA	3209 F	8/16/2012	8/27/2012
110878	1F66F5DY3D0	2013 BS	CA	3302 F	9/6/2012	9/14/2012
110879	1F66F5DY8D0	2013 BS	CA	3209 F	8/27/2012	9/5/2012
110880	1F66F5DY0D0	2013 BT	CA	3209 F	8/24/2012	9/5/2012
110881	1F66F5DY7D0	2013 BS	CA	3209 F	9/18/2012	9/26/2012
110882	1F66F5DY7D0	2013 BS	CA	3012 F	9/7/2012	9/18/2012
110883	1F66F5DY5D0	2013 BS	CA	2901 F	9/20/2012	10/3/2012
110884	1F66F5DY5D0	2013 BS	CA	3002 F	9/10/2012	9/19/2012

110885	1F66F5DY0D0		2013 BS	CA	3305 F	9/11/2012	9/20/2012
110886	1F66F5DY9D0		2013 BS	CA	3209 F	9/13/2012	9/21/2012
110887	1F66F5DY3D0		2013 BS	CA	2901 F	9/19/2012	9/27/2012
110888	1F66F5DYXD0		2013 BS	CA	3302 F	9/24/2012	10/4/2012
110889	1F66F5DY3D0		2013 BS	CA	3209 F	9/27/2012	10/9/2012
110890	1F66F5DY1D0		2013 BS	CA	3012 F	10/2/2012	10/10/2012
110892	1F66F5DY5D0		2013 BS	CA	3302 F	10/2/2012	10/10/2012
110893	1F65F5DY2D0		2013 BT	CA	2901 F	9/27/2012	10/9/2012
110894	1F66F5DY9D0		2013 BS	CA	2901 F	10/9/2012	10/17/2012
110897	1F66F5DY3D0		2013 BS	CA	3002 F	10/16/2012	10/24/2012
110898	1F66F5DY1D0		2013 BS	CA	2901 F	10/15/2012	10/23/2012
110899	1F66F5DY5D0		2013 BS	CA	3209 F	10/17/2012	10/26/2012
110900	1F66F5DYXD0		2013 BS	CA	3012 F	10/18/2012	10/26/2012
110901	1F66F5DY5D0		2013 BS	CA	3012 F	10/23/2012	10/31/2012
110902	1F65F5DYXD0		2013 BT	CA	2702 F	10/16/2012	10/25/2012
110904	1F65F5DY3D0		2013 BT	CA	2702 F	10/10/2012	10/18/2012
110905	1F66F5DY7D0		2013 BS	CA	2901 F	10/5/2012	10/16/2012
110906	1F66F5DY9D0		2013 BS	CA	3002 F	10/8/2012	10/16/2012
110907	1F66F5DY7D0		2013 BS	CA	3012 F	10/3/2012	10/11/2012
110908	1F66F5DYXD0		2013 BT	CA	3209 F	10/24/2012	11/1/2012
110909	1F66F5DY0D0		2013 BS	CA	2901 F	10/11/2012	10/22/2012
110910	1F66F5DY1D0		2013 BS	CA	3209 F	10/17/2012	10/25/2012
110912	1F66F5DY9D0		2013 BS	CA	3002 F	10/29/2012	11/6/2012
110913	1F66F5DY8D0		2013 BS	CA	3012 F	11/2/2012	11/12/2012
110914	1F66F5DY6D0		2013 BS	CA	2901 F	10/30/2012	11/7/2012
110915	1F66F5DY0D0		2013 BS	CA	2901 F	10/25/2012	11/2/2012
110916	1F66F5DY3D0		2013 BS	CA	3012 F	11/1/2012	11/9/2012
110917	1F65F5DY1D0		2013 BT	CA	2702 F	10/31/2012	11/8/2012
110919	1F66F5DY0D0		2013 BS	CA	2901 F	10/31/2012	11/8/2012
110920	1F66F5DY0D0		2013 BS	CA	3012 F	12/10/2012	12/18/2012
110921	1F66F5DY1D0		2013 BS	CA	3302 F	10/19/2012	10/30/2012
110922	1F66F5DY3D0		2013 BS	CA	3302 F	11/8/2012	11/16/2012
110923	1F66F5DY5D0		2013 BS	CA	3002 F	11/1/2012	11/8/2012
110924	1F66F5DY0D0		2013 BS	CA	3002 F	11/12/2012	11/19/2012
110925	1F66F5DY1D0		2013 BS	CA	3302 F	12/6/2012	12/14/2012
110927	1F66F5DY3D0		2013 BS	CA	2901 F	12/11/2012	12/18/2012
110928	1F65F5DY4D0		2013 BT	CA	2901 F	11/19/2012	11/29/2012
110929	1F66F5DY4D0		2013 BS	CA	2901 F	11/27/2012	12/4/2012
110930	1F66F5DY8D0		2013 BS	CA	3012 F	11/28/2012	12/5/2012
110931	1F66F5DY8D0		2013 BS	CA	3002 F	12/7/2012	12/14/2012
110932	1F66F5DY8D0		2013 BS	CA	3012 F	1/15/2013	1/23/2013
110933	1F65F5DYXD0		2013 BT	CA	2702 F	12/6/2012	12/13/2012
110935	1F66F5DYXD0		2013 BS	CA	3012 F	11/30/2012	12/7/2012
110936	1F65F5DY8D0		2013 BT	CA	2702 F	12/4/2012	12/11/2012
110937	1F66F5DY5D0		2013 BS	CA	3302 F	12/12/2012	12/19/2012
110938	1F66F5DY7D0		2013 BS	CA	3012 F	12/12/2012	12/20/2012
110939	1F66F5DY2D0		2013 BS	CA	3012 F	12/13/2012	12/20/2012
110940	1F65F5DY1D0		2013 BT	CA	2702 F	12/18/2012	1/10/2013
110941	1F65F5DY3D0		2013 BT	CA	2901 F	12/17/2012	1/9/2013
110942	1F66F5DY7D0		2013 BS	CA	3002 F	12/13/2012	1/7/2013
110943	1F66F5DYXD0		2013 BT	CA	3310 F	12/19/2012	1/10/2013
110944	1F66F5DY0D0		2013 BS	CA	2901 F	12/17/2012	1/8/2013

110954	1F66F5DY1D0	2013 BS	CA	3305 F	1/17/2013	1/25/2013
110955	1F66F5DY8D0	2013 BS	CA	3302 F	2/6/2013	2/14/2013
110956	1F66F5DY1D0	2013 BS	CA	3002 F	1/8/2013	1/16/2013
110957	1F65F5DY1D0	2013 BT	CA	2702 F	1/14/2013	1/22/2013
110958	1F66F5DY9D0	2013 BS	CA	3209 F	12/20/2012	1/11/2013
110959	1F66F5DY9D0	2013 BS	CA	3209 F	1/21/2013	1/29/2013
110960	1F66F5DY5D0	2014 BT	CA	3220 F	1/24/2013	2/1/2013
110962	1F66F5DY2D0	2014 BS	CA	3215 F	2/18/2013	2/26/2013
110964	1F66F5DY6D0	2013 BS	CA	2901 F	1/11/2013	1/21/2013
110965	1F66F5DY0D0	2013 BS	CA	3209 F	1/23/2013	1/30/2013
110966	1F66F5DY1D0	2013 BS	CA	3012 F	1/7/2013	1/14/2013
110967	1F66F5DY0D0	2013 BS	CA	3002 F	2/7/2013	2/15/2013
110968	1F65F5DY2D0	2013 BT	CA	2901 F	2/5/2013	2/13/2013
110969	1F65F5DY6D0	2013 BT	CA	2702 F	1/31/2013	2/8/2013
110970	1F65F5DYXD0	2013 BT	CA	2901 F	1/25/2013	2/4/2013
110971	1F66F5DY2D0	2013 BS	CA	2901 F	2/11/2013	2/19/2013
110972	1F66F5DY3D0	2013 BS	CA	2901 F	1/15/2013	1/23/2013
110973	1F66F5DY2D0	2013 BS	CA	3302 F	2/26/2013	3/6/2013
110974	1F66F5DY6D0	2013 BS	CA	3012 F	3/20/2013	3/28/2013
110975	1F66F5DY6D0	2013 BS	CA	3209 F	2/27/2013	3/7/2013
110976	1F66F5DY9D0	2013 BS	CA	2901 F	2/12/2013	2/21/2013
110977	1F66F5DY7D0	2013 BS	CA	3012 F	2/19/2013	2/27/2013
110978	1F66F5DY3D0	2013 BS	CA	3002 F	2/13/2013	2/22/2013
110979	1F66F5DY6D0	2013 BS	CA	3302 F	2/25/2013	3/5/2013
110980	1F65F5DY9D0	2013 BT	CA	2901 F	3/4/2013	3/12/2013
110981	1F66F5DY3D0	2013 BS	CA	3012 F	1/25/2013	2/4/2013
110982	1F66F5DYXD0	2013 BS	CA	3002 F	2/28/2013	3/11/2013
110983	1F65F5DY0D0	2013 BT	CA	2702 F	3/7/2013	3/15/2013
110984	1F66F5DY6D0	2013 BS	CA	3012 F	2/28/2013	3/8/2013
110985	1F66F5DY5D0	2013 BS	CA	3302 F	3/21/2013	4/1/2013
110986	1F66F5DY6D0	2013 BS	CA	3012 F	3/6/2013	3/14/2013
110987	1F66F5DY7D0	2013 BS	CA	3302 F	3/21/2013	3/28/2013
110988	1F66F5DY3D0	2013 BS	CA	3002 F	3/7/2013	3/15/2013
110989	1F66F5DY7D0	2013 BS	CA	2901 F	3/27/2013	4/5/2013
110990	1F65F5DY4D0	2013 BT	CA	2702 F	2/21/2013	3/1/2013
110993	1F66F5DY9D0	2013 BS	CA	3302 F	3/26/2013	4/4/2013
110994	1F66F5DY0D0	2013 BS	CA	2901 F	3/27/2013	4/5/2013
110995	1F66F5DY0D0	2013 BS	CA	2901 F	3/21/2013	4/1/2013
110996	1F66F5DY2D0	2013 BS	CA	3002 F	3/4/2013	3/12/2013
110997	1F66F5DY2D0	2013 BS	CA	3002 F	4/25/2013	5/3/2013
110998	1F66F5DY5D0	2013 BS	CA	3012 F	4/18/2013	4/25/2013
110999	1F66F5DY3D0	2013 BS	CA	3002 F	4/10/2013	4/18/2013
111000	1F66F5DY7D0	2013 BT	CA	3209 F	3/18/2013	3/26/2013
111001	1F65F5DY0D0	2013 BT	CA	2901 F	3/25/2013	4/3/2013
111002	1F66F5DY2D0	2013 BS	CA	3302 F	4/1/2013	4/9/2013
111003	1F66F5DY4D0	2013 BS	CA	2901 F	3/26/2013	4/4/2013
111004	1F66F5DY5D0	2013 BS	CA	3012 F	2/11/2013	2/19/2013
111005	1F66F5DY0D0	2013 BS	CA	3012 F	2/15/2013	2/25/2013
111006	1F66F5DYXD0	2013 BS	CA	3002 F	4/9/2013	4/17/2013
111007	1F66F5DY7D0	2013 BS	CA	3012 F	4/16/2013	4/24/2013
111008	1F66F5DY4D0	2013 BS	CA	3012 F	3/6/2013	3/14/2013
111009	1F66F5DY4D0	2013 BS	CA	3002 F	3/19/2013	3/26/2013

111010	1F66F5DY5D0	2013 BS	CA	3302 F	3/11/2013	3/19/2013
111011	1F66F5DY6D0	2013 BS	CA	3209 F	3/25/2013	4/3/2013
111012	1F66F5DY9D0	2013 BT	CA	3310 F	3/18/2013	3/25/2013
111014	1F65F5DYXDC	2013 BT	CA	2702 F	4/22/2013	4/30/2013
111015	1F66F5DY1D0	2013 BS	CA	2901 F	4/15/2013	4/23/2013
111016	1F66F5DY8D0	2013 BS	CA	3302 F	3/15/2013	3/25/2013
111017	1F66F5DY8D0	2013 BS	CA	3302 F	4/8/2013	4/16/2013
111018	1F66F5DY0D0	2013 BS	CA	3209 F	3/22/2013	4/2/2013
111019	1F66F5DY4D0	2013 BS	CA	3012 F	2/22/2013	3/4/2013
111020	1F66F5DY8D0	2013 BS	CA	3012 F	3/5/2013	3/13/2013
111021	1F65F5DY6D0	2013 BT	CA	2702 F	4/17/2013	4/25/2013
111022	1F66F5DY6D0	2013 BS	CA	2901 F	3/28/2013	4/8/2013
111023	1F66F5DY8D0	2013 BS	CA	2901 F	3/22/2013	4/2/2013
111024	1F66F5DYXDC	2013 BS	CA	3302 F	3/5/2013	3/14/2013
111025	1F66F5DY9D0	2013 BS	CA	3209 F	3/11/2013	3/19/2013
111026	1F66F5DYXDC	2013 BS	CA	3002 F	3/12/2013	3/20/2013
111027	1F66F5DY5D0	2013 BS	CA	3002 F	3/13/2013	3/21/2013
111028	1F66F5DY2D0	2013 BS	CA	2901 F	3/20/2013	3/27/2013
111029	1F66F5DY1D0	2013 BS	CA	2901 F	3/8/2013	3/18/2013
111030	1F65F5DY8D0	2013 BT	CA	2901 F	4/18/2013	4/26/2013
111031	1F66F5DY0D0	2013 BS	CA	3012 F	4/19/2013	4/26/2013
111033	1F66F5DYXDC	2013 BS	CA	3302 F	4/3/2013	4/10/2013
111034	1F66F5DY0D0	2013 BS	CA	2901 F	4/4/2013	4/11/2013
111035	1F66F5DY8D0	2013 BS	CA	3209 F	4/3/2013	4/11/2013
111036	1F66F5DY9D0	2013 BS	CA	2901 F	4/17/2013	4/24/2013
111037	1F66F5DY4D0	2013 BS	CA	2901 F	4/4/2013	4/12/2013
111038	1F66F5DY5D0	2013 BS	CA	3012 F	4/11/2013	4/18/2013
111039	1F66F5DY3D0	2013 BS	CA	3012 F	4/16/2013	4/23/2013
111040	1F66F5DY8D0	2013 BS	CA	3012 F	4/23/2013	5/1/2013
111041	1F66F5DY9D0	2013 BS	CA	3012 F	4/29/2013	5/7/2013
111042	1F66F5DY0D0	2013 BS	CA	2901 F	5/1/2013	5/10/2013
111043	1F66F5DY4D0	2013 BS	CA	2901 F	4/26/2013	5/6/2013
111046	1F65F5DY4D0	2013 BT	CA	2702 F	4/12/2013	4/22/2013
111047	1F66F5DYXDC	2013 BS	CA	3012 F	4/29/2013	5/6/2013
111048	1F66F5DY6D0	2013 BS	CA	3209 F	4/30/2013	5/7/2013
111050	1F65F5DY9D0	2014 BT	CA	2903 F	5/21/2013	5/31/2013
111051	1F65F5DY2D0	2014 BT	CA	2903 F	5/20/2013	5/30/2013
111052	1F66F5DY7D0	2014 BT	CA	3306 F	6/6/2013	6/14/2013
111053	1F66F5DY3D0	2014 BT	CA	2903 F	8/8/2013	8/16/2013
111054	1F66F5DY6D0	2014 BT	CA	3220 F	5/31/2013	6/10/2013
111055	1F66F5DY3D0	2014 BS	CA	3215 F	8/7/2013	8/15/2013
111056	1F65F5DYXDC	2014 BT	CA	2702 F	5/31/2013	6/11/2013
111057	1F66F5DY1D0	2014 BT	CA	3220 F	5/23/2013	6/4/2013
111058	1F66F5DY0D0	2014 BS	CA	3103 F	5/29/2013	6/6/2013
111059	1F66F5DY4D0	2014 BS	CA	3309 F	5/24/2013	6/5/2013
111060	1F66F5DY7D0	2014 BS	CA	2903 F	7/11/2013	7/18/2013
111061	1F65F5DY8D0	2014 BT	CA	2903 F	5/28/2013	6/6/2013
111062	1F66F5DYXDC	2014 BS	CA	3124 F	5/21/2013	5/30/2013
111063	1F66F5DY9D0	2014 BT	CA	2903 F	8/2/2013	8/12/2013
111064	1F66F5DY7E0	2014 BT	CA	3220 F	9/3/2013	9/11/2013
111065	1F66F5DY9E0	2014 BS	CA	3124 F	8/30/2013	9/10/2013
111066	1F66F5DY2E0	2014 BS	CA	3103 F	9/5/2013	9/13/2013

111067	1F66F5DY9E0		2014 BS	CA	3215 F	9/3/2013	9/12/2013
111071	1F66F5DY6D0		2014 BS	CA	3308 F	6/13/2013	6/20/2013
111072	1F65F5DY7D0		2014 BT	CA	2702 F	5/16/2013	5/28/2013
111073	1F66F5DY6D0		2014 BS	CA	3103 F	5/13/2013	5/22/2013
111074	1F66F5DY9D0		2014 BS	CA	3124 F	5/7/2013	5/17/2013
111075	1F66F5DY4D0		2014 BS	CA	3215 F	5/14/2013	5/23/2013
111076	1F66F5DY4D0		2014 BS	CA	2903 F	5/10/2013	5/21/2013
111077	1F66F5DY4D0		2014 BS	CA	3124 F	5/29/2013	6/7/2013
111083	1F66F5DY8D0		2014 BS	CA	3124 F	5/23/2013	6/4/2013
111084	1F66F5DY5D0		2014 BS	CA	3308 F	5/28/2013	6/5/2013
111085	1F66F5DY8D0		2014 BT	CA	2903 F	6/17/2013	6/25/2013
111086	1F66F5DY2D0		2014 BS	CA	2903 F	5/30/2013	6/7/2013
111087	1F66F5DY4D0		2014 BT	CA	3220 F	8/15/2013	8/26/2013
111088	1F66F5DY9D0		2014 BS	CA	2903 F	5/31/2013	6/11/2013
111089	1F66F5DY2D0		2014 BT	CA	3220 F	6/5/2013	6/13/2013
111090	1F66F5DY3D0		2014 BT	CA	2903 F	6/18/2013	6/25/2013
111091	1F66F5DY8D0		2014 BS	CA	3124 F	7/11/2013	7/22/2013
111092	1F66F5DY3D0		2014 BT	CA	3220 F	7/18/2013	7/26/2013
111093	1F66F5DY5D0		2014 BS	CA	2903 F	8/16/2013	8/27/2013
111094	1F66F5DY3E0		2014 BS	CA	3124 F	8/28/2013	9/6/2013
111098	1F65F5DY1D0		2014 BT	CA	2903 F	6/5/2013	6/14/2013
111099	1F66F5DY8D0		2014 BS	CA	3103 F	6/26/2013	7/12/2013
111100	1F66F5DY3D0		2014 BS	CA	3215 F	6/21/2013	7/9/2013
111101	1F66F5DY2D0		2014 BS	CA	3124 F	5/3/2013	5/14/2013
111102	1F66F5DYXD0		2014 BS	CA	3308 F	7/10/2013	7/17/2013
111103	1F66F5DY8D0		2014 BS	CA	2903 F	5/16/2013	5/29/2013
111104	1F65F5DY1D0		2013 BT	CA	2901 F	5/8/2013	5/20/2013
111105	1F66F5DY4D0		2014 BS	CA	3124 F	7/8/2013	7/16/2013
111106	1F66F5DY0D0		2014 BS	CA	3103 F	7/16/2013	7/24/2013
111107	1F66F5DY7D0		2014 BS	CA	2903 F	7/16/2013	7/25/2013
111108	1F66F5DY2D0		2014 BS	CA	3124 F	5/15/2013	5/24/2013
111109	1F66F5DYXD0		2014 BS	CA	3124 F	6/25/2013	7/10/2013
111110	1F66F5DY1D0		2014 BS	CA	3124 F	6/24/2013	7/10/2013
111111	1F66F5DY1D0		2014 BS	CA	3103 F	7/9/2013	7/17/2013
111112	1F66F5DY7D0		2014 BT	CA	2903 F	8/12/2013	8/20/2013
111113	1F65F5DY2D0		2014 BT	CA	2702 F	7/23/2013	7/31/2013
111114	1F66F5DY7D0		2014 BT	CA	2903 F	7/25/2013	8/2/2013
111115	1F66F5DY1D0		2014 BS	CA	2903 F	7/19/2013	7/29/2013
111116	1F66F5DYXD0		2014 BS	CA	3124 F	7/22/2013	7/30/2013
111117	1F66F5DY6D0		2014 BS	CA	2903 F	6/11/2013	6/19/2013
111118	1F66F5DY1D0		2014 BS	CA	2903 F	7/24/2013	8/1/2013
111119	1F66F5DY3D0		2014 BS	CA	3309 F	7/24/2013	8/1/2013
111120	1F66F5DY1D0		2014 BS	CA	3309 F	7/10/2013	7/18/2013
111121	1F66F5DY5D0		2014 BS	CA	3124 F	7/25/2013	8/2/2013
111122	1F65F5DY6D0		2014 BT	CA	2702 F	6/10/2013	6/18/2013
111124	1F66F5DY8D0		2014 BS	CA	3124 F	8/5/2013	8/14/2013
111125	1F65F5DY4D0		2014 BT	CA	2702 F	7/29/2013	8/6/2013
111126	1F66F5DY6D0		2014 BT	CA	3220 F	8/16/2013	8/26/2013
111127	1F66F5DY5D0		2014 BS	CA	3103 F	8/5/2013	8/13/2013
111128	1F66F5DY0D0		2014 BS	CA	3309 F	8/7/2013	8/15/2013
111129	1F66F5DY1D0		2014 BS	CA	2903 F	8/6/2013	8/14/2013
111130	1F66F5DY3D0		2014 BS	CA	3103 F	8/13/2013	8/21/2013

111131	1F66F5DY5D0		2014 BT	CA	3220 F	7/15/2013	7/23/2013
111132	1F65F5DY6D0		2014 BT	CA	2702 F	8/1/2013	8/9/2013
111133	1F65F5DY4D0		2014 BT	CA	2702 F	8/12/2013	8/21/2013
111134	1F66F5DY2D0		2014 BT	CA	2903 F	8/15/2013	8/23/2013
111135	1F66F5DYXD0		2014 BT	CA	2903 F	8/6/2013	8/14/2013
111136	1F66F5DY7E0		2014 BS	CA	2903 F	8/26/2013	9/5/2013
111137	1F66F5DY5D0		2014 BS	CA	3103 F	8/7/2013	8/15/2013
111138	1F66F5DY7D0		2014 BS	CA	3124 F	8/8/2013	8/16/2013
111139	1F66F5DY9D0		2014 BS	CA	3124 F	8/14/2013	8/22/2013
111140	1F66F5DY9D0		2014 BS	CA	3215 F	7/18/2013	7/26/2013
111141	1F66F5DY9D0		2014 BS	CA	2903 F	8/14/2013	8/23/2013
111142	1F66F5DY8D0		2014 BS	CA	3103 F	8/20/2013	8/28/2013
111143	1F66F5DY7D0		2014 BS	CA	3124 F	8/20/2013	8/29/2013
111144	1F66F5DY4D0		2014 BT	CA	2903 F	8/19/2013	8/27/2013
111145	1F65F5DY8D0		2014 BT	CA	2702 F	8/14/2013	8/22/2013
111146	1F66F5DY0D0		2014 BS	CA	2903 F	8/21/2013	8/30/2013
111148	1F65F5DY4D0		2014 BT	CA	2702 F	6/10/2013	6/18/2013
111149	1F66F5DY5D0		2014 BT	CA	2903 F	6/20/2013	7/8/2013
111150	1F66F5DY4D0		2014 BS	CA	3308 F	6/14/2013	6/21/2013
111151	1F66F5DY5D0		2014 BT	CA	2903 F	6/25/2013	7/11/2013
111152	1F66F5DY3E0		2014 BS	CA	2903 F	8/28/2013	9/9/2013
111153	1F66F5DYXD0		2014 BS	CA	3124 F	8/13/2013	8/22/2013
111154	1F66F5DY5E0		2014 BS	CA	2903 F	8/27/2013	9/5/2013
111155	1F66F5DY3E0		2014 BS	CA	3308 F	9/6/2013	9/17/2013
111156	1F66F5DY5E0		2014 BS	CA	3124 F	8/29/2013	9/9/2013
111157	1F66F5DY5E0		2014 BS	CA	3309 F	8/30/2013	9/10/2013
111158	1F66F5DY5D0		2014 BT	CA	3022 F	7/9/2013	7/16/2013
111160	1F66F5DY4E0		2014 BT	CA	2903 F	8/30/2013	9/11/2013
111161	1F66F5DY7E0		2014 BS	CA	3124 F	12/9/2013	12/17/2013
111162	1F66F5DY3E0		2014 BS	CA	2903 F	10/29/2013	11/6/2013
111163	1F66F5DYXE0		2014 BS	CA	2903 F	11/12/2013	11/20/2013
111167	1F65F5DY0D0		2014 BT	CA	2702 F	9/25/2013	10/4/2013
111168	1F65F5DY9D0		2014 BT	CA	2702 F	9/23/2013	10/2/2013
111169	1F66F5DY1E0		2014 BS	CA	2903 F	10/7/2013	10/15/2013
111170	1F66F5DY1E0		2014 BS	CA	3309 F	9/9/2013	9/17/2013
111171	1F66F5DY6E0		2014 BS	CA	3124 F	10/3/2013	10/11/2013
111172	1F66F5DY4E0		2014 BS	CA	3103 F	9/16/2013	9/24/2013
111173	1F65F5DY8D0		2014 BT	CA	2702 F	9/27/2013	10/8/2013
111174	1F66F5DY0E0		2014 BS	CA	3124 F	9/10/2013	9/18/2013
111175	1F65F5DY5D0		2014 BT	CA	2702 F	9/12/2013	9/23/2013
111176	1F66F5DY8E0		2014 BS	CA	2903 F	9/17/2013	9/25/2013
111177	1F66F5DYXE0		2014 BS	CA	3124 F	9/19/2013	9/27/2013
111178	1F66F5DY6E0		2014 BS	CA	3308 F	9/24/2013	10/2/2013
111179	1F66F5DY2E0		2014 BS	CA	3308 F	9/30/2013	10/8/2013
111180	1F66F5DY2E0		2014 BS	CA	2903 F	10/1/2013	10/10/2013
111181	1F66F5DY1D0		2014 BS	CA	2903 F	8/9/2013	8/19/2013
111182	1F66F5DY5D0		2014 BT	CA	3022 F	8/9/2013	8/20/2013
111183	1F66F5DY0E0		2014 BT	CA	3220 F	9/30/2013	10/9/2013
111184	1F66F5DYXE0		2014 BT	CA	2903 F	10/11/2013	10/22/2013
111185	1F65F5DY7D0		2014 BT	CA	2702 F	9/20/2013	9/30/2013
111186	1F66F5DY0E0		2014 BS	CA	3124 F	9/23/2013	10/1/2013
111187	1F66F5DY6E0		2014 BS	CA	3103 F	10/3/2013	10/14/2013

111188	1F66F5DY4E0	2014 BS	CA	3308 F	9/26/2013	10/4/2013
111189	1F66F5DY8E0	2014 BS	CA	2903 F	10/3/2013	10/14/2013
111190	1F66F5DY3D0	2014 BS	CA	2903 F	8/2/2013	8/12/2013
111191	1F66F5DY2E0	2014 BT	CA	2903 F	9/13/2013	9/24/2013
111192	1F66F5DY5E0	2014 BS	CA	3215 F	9/13/2013	9/23/2013
111193	1F66F5DY8E0	2014 BS	CA	3215 F	9/10/2013	9/19/2013
111194	1F66F5DY1E0	2014 BS	CA	2903 F	10/16/2013	10/24/2013
111195	1F66F5DY3E0	2014 BS	CA	3124 F	10/14/2013	10/23/2013
111196	1F66F5DYXE0	2014 BS	CA	3103 F	10/21/2013	10/30/2013
111197	1F66F5DY4E0	2014 BT	CA	3220 F	10/2/2013	10/11/2013
111198	1F66F5DY1E0	2014 BS	CA	3103 F	9/11/2013	9/19/2013
111199	1F66F5DY6E0	2014 BT	CA	3022 F	9/26/2013	10/7/2013
111200	1F66F5DY5E0	2014 BT	CA	2903 F	10/7/2013	10/16/2013
111201	1F66F5DY9E0	2014 BS	CA	3309 F	10/15/2013	10/23/2013
111202	1F66F5DY4E0	2014 BS	CA	2903 F	10/25/2013	11/4/2013
111203	1F66F5DY7E0	2014 BS	CA	3124 F	10/15/2013	10/24/2013
111206	1F66F5DYXE0	2014 BS	CA	3215 F	10/30/2013	11/8/2013
111207	1F66F5DYXE0	2014 BS	CA	2903 F	10/31/2013	11/8/2013
111209	1F66F5DY8E0	2014 BS	CA	3124 F	10/9/2013	10/18/2013
111210	1F66F5DY3E0	2014 BS	CA	3215 F	10/9/2013	10/17/2013
111211	1F66F5DY5E0	2014 BT	CA	2903 F	10/17/2013	10/28/2013
111212	1F66F5DY0E0	2014 BS	CA	3103 F	10/29/2013	11/7/2013
111213	1F66F5DY6E0	2014 BS	CA	3124 F	11/1/2013	11/12/2013
111214	1F66F5DY3E0	2014 BS	CA	3124 F	11/22/2013	12/5/2013
111215	1F66F5DY1E0	2014 BS	CA	2903 F	11/11/2013	11/19/2013
111216	1F66F5DY6E0	2014 BS	CA	2903 F	12/5/2013	12/13/2013
111217	1F66F5DY0E0	2014 BT	CA	2903 F	11/18/2013	11/26/2013
111218	1F66F5DY4E0	2014 BS	CA	3308 F	11/27/2013	12/9/2013
111219	1F66F5DY2E0	2014 BT	CA	3220 F	11/18/2013	11/27/2013
111220	1F66F5DY8E0	2014 BS	CA	2903 F	11/20/2013	12/2/2013
111221	1F66F5DY1E0	2014 BS	CA	3124 F	11/19/2013	11/27/2013
111222	1F66F5DY4E0	2014 BS	CA	2903 F	11/5/2013	11/14/2013
111223	1F66F5DY3E0	2014 BS	CA	2903 F	10/23/2013	11/1/2013
111224	1F66F5DY3E0	2014 BS	CA	3103 F	11/13/2013	11/21/2013
111225	1F66F5DY5E0	2014 BS	CA	3308 F	11/13/2013	11/22/2013
111226	1F66F5DY2E0	2014 BS	CA	3309 F	11/14/2013	11/22/2013
111227	1F66F5DY7E0	2014 BS	CA	3215 F	10/24/2013	11/1/2013
111228	1F65F5DYXD0	2014 BT	CA	2702 F	10/21/2013	10/30/2013
111229	1F66F5DY8E0	2014 BT	CA	2903 F	11/8/2013	11/19/2013
111230	1F66F5DY7E0	2014 BT	CA	2903 F	11/21/2013	12/3/2013
111231	1F66F5DY4E0	2014 BS	CA	2903 F	12/3/2013	12/12/2013
111232	1F66F5DY0E0	2014 BS	CA	3308 F	11/25/2013	12/5/2013
111233	1F66F5DY6E0	2014 BS	CA	2903 F	11/20/2013	12/3/2013
111234	1F66F5DY4E0	2014 BS	CA	3308 F	11/14/2013	11/25/2013
111236	1F66F5DY4E0	2014 BS	CA	2903 F	12/17/2013	1/13/2014
111237	1F66F5DY2E0	2014 BS	CA	3124 F	12/19/2013	1/15/2014
111238	1F66F5DY3E0	2014 BS	CA	3215 F	12/2/2013	12/10/2013
111239	1F66F5DYXE0	2014 BS	CA	3103 F	11/21/2013	12/3/2013
111240	1F66F5DYXE0	2014 BS	CA	3124 F	11/27/2013	12/9/2013
111245	1F66F5DY1E0	2014 BS	CA	3215 F	12/2/2013	12/11/2013
111246	1F66F5DY1E0	2014 BT	CA	3306 F	11/11/2013	11/20/2013
111253	1F66F5DYXE0	2014 BT	CA	3306 F	12/11/2013	1/8/2014

111255	1F66F5DY1E0	[REDACTED]	2014 BS	CA	2903 F	12/12/2013	1/8/2014
111256	1F66F5DY4E0	[REDACTED]	2014 BS	CA	2903 F	11/21/2013	12/4/2013
111257	1F65F5DY1D0	[REDACTED]	2014 BT	CA	2702 F	12/9/2013	12/18/2013
111258	1F66F5DY8E0	[REDACTED]	2014 BT	CA	3306 F	12/10/2013	12/18/2013
111259	1F66F5DY3E0	[REDACTED]	2014 BS	CA	2903 F	12/11/2013	12/19/2013
111260	1F66F5DY3E0	[REDACTED]	2014 BS	CA	3124 F	12/12/2013	1/9/2014
111263	1F66F5DY4E0	[REDACTED]	2014 BS	CA	3124 F	12/19/2013	1/16/2014
111267	1F66F5DY2E0	[REDACTED]	2014 BT	CA	3022 F	12/13/2013	1/9/2014
111284	1F66F5DY2E0	[REDACTED]	2014 BS	CA	2903 F	12/2/2013	12/10/2013
160171	1F6NF53Y870	[REDACTED]	2008 CS	CA	3512 F	6/7/2007	6/20/2007
160172	5B4MP67G273	[REDACTED]	2008 CS	CA	3410 WH	7/18/2007	7/30/2007
160173	1F6NF53Y560	[REDACTED]	2008 CS	CA	3205 F	7/16/2007	7/26/2007
160174	5B4MP67G473	[REDACTED]	2008 CS	CA	3641 WH	7/24/2007	8/2/2007
160175	1F6NF53Y860	[REDACTED]	2008 CS	CA	3303 F	7/25/2007	8/7/2007
160176	1F6NF53Y370	[REDACTED]	2008 CS	CA	3512 F	8/13/2007	8/22/2007
160177	5B4MP67G073	[REDACTED]	2008 CS	CA	3641 WH	8/8/2007	8/20/2007
160179	1F6NF53Y460	[REDACTED]	2008 CS	CA	3205 F	8/9/2007	8/21/2007
160180	1F6NF53YX60	[REDACTED]	2008 CS	CA	3205 F	9/12/2007	9/24/2007
160182	5B4MP67G173	[REDACTED]	2008 CS	CA	3512 WH	8/29/2007	9/7/2007
160183	1F6NF53Y660	[REDACTED]	2008 CS	CA	3205 F	8/20/2007	8/29/2007
160184	1F6NF53Y370	[REDACTED]	2008 CS	CA	3643 F	9/6/2007	9/17/2007
160185	1F6NF53Y660	[REDACTED]	2008 CS	CA	3205 F	8/29/2007	9/10/2007
160186	5B4MP67G783	[REDACTED]	2008 CS	CA	3641 WH	9/20/2007	10/2/2007
160187	5B4MP67GX83	[REDACTED]	2008 CS	CA	3641 WH	10/3/2007	10/15/2007
160188	1F6NF53Y860	[REDACTED]	2008 CS	CA	3205 F	8/29/2007	9/10/2007
160189	5B4MP67G573	[REDACTED]	2008 CS	CA	3410 WH	8/30/2007	9/11/2007
160190	5B4MP67G073	[REDACTED]	2008 CS	CA	3410 WH	9/5/2007	9/13/2007
160191	5B4MP67G373	[REDACTED]	2008 CS	CA	3410 WH	8/20/2007	8/28/2007
160193	5B4MP67G383	[REDACTED]	2008 CS	CA	3644 WH	9/17/2007	9/26/2007
160194	1F6NF53Y570	[REDACTED]	2008 CS	CA	3410 F	10/1/2007	10/9/2007
160195	5B4MP67G683	[REDACTED]	2008 CS	CA	3410 WH	9/26/2007	10/8/2007
160196	1F6NF53Y470	[REDACTED]	2008 CS	CA	3643 F	9/26/2007	10/8/2007
160197	5B4MP67G083	[REDACTED]	2008 CS	CA	3410 WH	10/8/2007	10/17/2007
160198	1F6NF53Y270	[REDACTED]	2008 CS	CA	3510 F	10/17/2007	10/25/2007
160199	1F6NF53Y770	[REDACTED]	2008 CS	CA	3410 F	10/17/2007	10/29/2007
160201	1F6NF53YX70	[REDACTED]	2008 CS	CA	3205 F	10/16/2007	10/24/2007
160202	1F6NF53Y670	[REDACTED]	2008 CS	CA	3641 F	10/16/2007	10/29/2007
160204	1F6NF53Y770	[REDACTED]	2008 CS	CA	3512 F	10/30/2007	11/8/2007
160205	1F6NF53Y570	[REDACTED]	2008 CS	CA	3510 F	10/29/2007	11/7/2007
160206	5B4MP67G283	[REDACTED]	2008 CS	CA	3410 WH	11/6/2007	11/14/2007
160207	1F6NF53Y170	[REDACTED]	2008 CS	CA	3303 F	11/7/2007	11/19/2007
160208	1F6NF53Y370	[REDACTED]	2008 CS	CA	3641 F	10/25/2007	11/7/2007
160209	5B4MP67G483	[REDACTED]	2009 CS	CA	3510 WH	11/6/2007	11/28/2007
160210	1F6NF53Y280	[REDACTED]	2009 CS	CA	3920 F	11/28/2007	12/12/2007
160211	1F6NF53Y470	[REDACTED]	2008 CS	CA	3641 S	11/13/2007	11/27/2007
160212	1F6NF53Y670	[REDACTED]	2008 CS	CA	3205 F	11/14/2007	11/28/2007
160213	5B4MP67G483	[REDACTED]	2008 CS	CA	3510 WH	11/12/2007	11/20/2007
160214	1F6NF53YX70	[REDACTED]	2008 CS	CA	3643 F	11/27/2007	12/5/2007
160215	5B4MP67GX83	[REDACTED]	2008 CS	CA	3410 WH	11/21/2007	12/4/2007
160216	1F6NF53Y670	[REDACTED]	2008 CS	CA	3510 F	11/21/2007	12/4/2007
160217	1F6NF53Y870	[REDACTED]	2008 CS	CA	3641 F	11/20/2007	12/4/2007
160218	1F6NF53Y670	[REDACTED]	2008 CS	CA	3205 F	11/20/2007	12/3/2007

160219	1F6NF53Y470	2008 CS	CA	3303 F	11/19/2007	11/30/2007
160221	1F6NF53YX80	2008 CS	CA	3205 F	1/30/2008	2/20/2008
160223	5B4MP67G683	2008 CS	CA	3512 WH	2/12/2008	2/27/2008
160225	1F6NF53Y370	2008 CS	CA	3641 F	1/10/2008	1/22/2008
160226	1F6NF53Y570	2008 CS	CA	3410 F	1/21/2008	2/11/2008
160229	1F6NF53Y480	2008 CS	CA	3641 F	2/11/2008	2/25/2008
160233	1F6NF53Y970	2008 CS	CA	3512 F	2/20/2008	3/11/2008
160234	1F6NF53Y680	2008 CS	CA	3410 F	2/19/2008	3/5/2008
160235	5B4MP67G083	2008 CS	CA	3512 WH	2/26/2008	3/13/2008
160236	1F6NF53Y880	2008 CS	CA	3510 F	2/26/2008	3/17/2008
160237	5B4MP67G883	2008 CS	CA	3641 WH	3/3/2008	3/18/2008
160238	5B4MP67G583	2008 CS	CA	3512 WH	3/4/2008	3/18/2008
160239	1F6NF53YX80	2008 CS	CA	3641 F	3/12/2008	4/2/2008
160240	5B4MP67G983	2008 CS	CA	3410 WH	2/26/2008	3/13/2008
160241	5B4MP67G683	2008 CS	CA	3512 WH	3/11/2008	3/31/2008
160242	1F6NF53Y180	2008 CS	CA	3410 F	3/31/2008	4/14/2008
160243	1F6NF53Y180	2009 CS	CA	3647 F	4/7/2008	4/17/2008
160244	1F6NF53Y280	2009 CS	CA	3641 F	4/7/2008	4/16/2008
160245	1F6NF53Y780	2009 CS	CA	3920 F	4/2/2008	4/21/2008
160246	1F6NF53Y180	2009 CS	CA	3920 F	4/30/2008	5/12/2008
160247	1F6NF53Y880	2009 CS	CA	3920 F	4/23/2008	5/5/2008
160248	1F6NF53Y480	2009 CS	CA	3410 F	4/16/2008	4/29/2008
160249	1F6NF53Y680	2009 CS	CA	3647 F	4/21/2008	4/30/2008
160250	1F6NF53YX80	2009 CS	CA	3920 F	4/29/2008	5/12/2008
160251	5B4MP67G783	2009 CS	CA	3510 WH	4/10/2008	4/23/2008
160252	1F6NF53YX80	2009 CS	CA	3205 F	4/24/2008	5/6/2008
160253	1F6NF53Y980	2009 CS	CA	3920 F	5/7/2008	5/20/2008
160254	1F6NF53Y080	2009 CS	CA	3641 F	4/30/2008	5/13/2008
160255	5B4MP67G783	2009 CS	CA	3410 WH	5/6/2008	5/19/2008
160257	1F6NF53Y980	2009 CS	CA	3647 F	4/28/2008	5/7/2008
160258	1F6NF53Y280	2009 CS	CA	3205 F	5/5/2008	5/14/2008
160259	1F6NF53Y280	2009 CS	CA	3641 F	5/2/2008	5/14/2008
160261	1F6NF53Y480	2009 CS	CA	3510 F	5/13/2008	5/22/2008
160262	1F6NF53Y880	2009 CS	CA	3205 F	5/21/2008	6/10/2008
160263	1F6NF53YX80	2009 CS	CA	3205 F	5/20/2008	6/9/2008
160264	1F6NF53Y480	2009 CS	CA	3647 F	5/28/2008	6/12/2008
160265	1F6NF53Y780	2009 CS	CA	3205 F	5/29/2008	6/17/2008
160266	1F6NF53Y980	2009 CS	CA	3920 F	5/27/2008	6/11/2008
160267	1F6NF53Y580	2009 CS	CA	3920 F	5/22/2008	6/10/2008
160268	5B4MP67G483	2009 CS	CA	3641 WH	5/30/2008	6/18/2008
160269	5B4MP67G783	2009 CS	CA	3510 WH	6/17/2008	7/29/2008
160270	1F6NF53Y880	2009 CS	CA	3920 F	6/18/2008	7/30/2008
160271	5B4MP67G283	2009 CS	CA	3641 WH	7/15/2008	8/6/2008
160272	1F6NF53Y680	2009 CS	CA	3510 F	7/23/2008	8/13/2008
160273	1F6NF53Y880	2009 CS	CA	3641 F	8/5/2008	8/28/2008
160274	1F6NF53YX80	2009 CS	CA	3920 F	8/12/2008	9/17/2008
160276	5B4MP67G683	2009 CS	CA	3510 WH	9/2/2008	9/24/2008
160277	1F6NF53Y080	2009 CS	CA	3641 F	9/18/2008	10/13/2008
160278	1F6NF53YX80	2009 CS	CA	3920 F	9/24/2008	10/16/2008
160279	1F6NF53Y180	2009 CS	CA	3920 F	10/9/2008	11/3/2008
160280	1F6NF53Y580	2009 CS	CA	3920 F	10/14/2008	11/5/2008
160281	1F6NF53Y380	2009 CS	CA	3920 F	10/13/2008	11/4/2008

160282	1F6NF53Y780		2009 CS	CA	3920 F	10/15/2008	11/24/2008
160283	1F6NF53Y380		2009 CS	CA	3920 F	10/16/2008	11/25/2008
160284	1F6NF53Y580		2009 CS	CA	3920 F	10/16/2008	11/24/2008
160285	1F6NF53Y780		2009 CS	CA	3920 F	11/3/2008	12/4/2008
160286	1F6NF53Y980		2009 CS	CA	3920 F	11/4/2008	12/5/2008
160287	1F6NF53Y080		2009 CS	CA	3920 F	11/24/2008	12/9/2008
160288	1F6NF53Y280		2009 CS	CA	3920 F	1/29/2009	2/12/2009
160289	1F6NF53Y380		2009 CS	CA	3920 F	2/2/2009	2/16/2009
160290	1F6NF53Y080		2009 CS	CA	3205 F	2/10/2009	3/2/2009
160292	1F6NF53Y080		2010 CS	CA	3920 F	2/18/2009	3/10/2009
160293	1F6NF53Y680		2009 CS	CA	3205 F	2/16/2009	3/5/2009
160295	1F6NF53Y280		2009 CS	CA	3920 F	3/4/2009	3/16/2009
160296	1F6NF53Y990		2009 CS	CA	3920 F	3/4/2009	3/18/2009
160297	1F6NF53Y080		2009 CS	CA	3920 F	3/5/2009	3/16/2009
160298	1F6NF53Y480		2010 CS	CA	3920 F	4/7/2009	4/20/2009
160299	1F6NF53Y980		2010 CS	CA	3641 F	4/9/2009	4/23/2009
160300	1F6NF53Y680		2010 CS	CA	3510 F	4/13/2009	4/24/2009
160301	1F6NF53Y580		2010 CS	CA	3510 F	5/20/2009	6/1/2009
160302	1F6NF53Y780		2010 CS	CA	3641 F	5/19/2009	6/1/2009
160303	1F6NF53Y380		2010 CS	CA	3920 F	5/22/2009	6/2/2009
160304	1F6NF53Y780		2010 CS	CA	3920 F	5/14/2009	5/28/2009
160306	1F6NF53YX80		2010 CS	CA	3920 F	6/4/2009	6/15/2009
160307	1F6NF53Y980		2010 CS	CA	3510 F	6/9/2009	6/18/2009
160308	1F6NF53Y280		2010 CS	CA	3920 F	6/18/2009	7/8/2009
160309	1F6NF53Y080		2010 CS	CA	3410 F	6/22/2009	7/9/2009
160310	1F6NF53Y180		2010 CS	CA	3920 F	6/23/2009	7/13/2009
160311	1F6NF53Y380		2010 CS	CA	3920 F	6/24/2009	7/14/2009
160312	1F6NF53Y480		2010 CS	CA	3510 F	7/6/2009	7/15/2009
160313	1F6NF53Y580		2010 CS	CA	3920 F	7/7/2009	7/20/2009
160314	1F6NF53Y480		2010 CS	CA	3920 F	7/8/2009	7/20/2009
160315	1F6NF53Y480		2010 CS	CA	3920 F	7/9/2009	7/22/2009
160316	1F6NF53Y080		2010 CS	CA	3920 F	7/14/2009	7/23/2009
160321	1F6NF53YX80		2010 CS	CA	3647 F	7/16/2009	7/28/2009
160322	1F6NF53Y780		2010 CS	CA	3920 F	7/21/2009	8/3/2009
160323	1F6NF53Y980		2010 CS	CA	3920 F	7/22/2009	8/3/2009
160324	1F6NF53Y080		2010 CS	CA	3920 F	7/23/2009	8/4/2009
160325	1F6NF53Y280		2010 CS	CA	3920 F	7/23/2009	8/5/2009
160326	1F6NF53Y180		2010 CS	CA	3920 F	7/28/2009	8/10/2009
160327	1F6NF53Y880		2010 CS	CA	3920 F	7/29/2009	8/11/2009
160328	5B4MP67G893		2010 CS	CA	3410 WH	7/27/2009	8/6/2009
160329	1F6NF53Y180		2010 CS	CA	3641 F	8/3/2009	8/13/2009
160330	1F6NF53Y380		2010 CS	CA	3641 F	8/5/2009	8/18/2009
160331	1F6NF53YX80		2010 CS	CA	3920 F	8/11/2009	8/24/2009
160332	1F6NF53Y480		2010 CS	CA	3641 F	7/30/2009	8/12/2009
160334	1F6NF53Y880		2010 CS	CA	3920 F	8/13/2009	8/26/2009
160335	1F6NF53YX80		2010 CS	CA	3510 F	8/17/2009	8/27/2009
160337	1F6NF53Y990		2010 CS	CA	3205 F	8/26/2009	9/15/2009
160338	5B4MP67G2B3		2010 CS	CA	3641 WH	2/19/2010	3/2/2010
160339	5B4MP67G4B3		2010 CS	CA	3510 WH	2/22/2010	3/3/2010
160340	1F6NF53YX80		2010 CS	CA	3920 F	9/8/2009	9/17/2009
160341	1F6NF53Y480		2010 CS	CA	3641 F	9/9/2009	9/21/2009
160342	1F6NF53Y880		2010 CS	CA	3647 F	9/22/2009	10/5/2009

160343	1F6NF53Y390	2010 CS	CA	3855 F	9/17/2009	9/30/2009
160344	5B4MP67GX93	2010 CS	CA	3510 WH	9/21/2009	10/1/2009
160345	1F6NF53YX90	2010 CS	CA	3855 F	9/23/2009	10/6/2009
160346	1F6NF53Y080	2010 CS	CA	3920 F	10/1/2009	10/14/2009
160347	1F6NF53Y080	2010 CS	CA	3855 F	9/29/2009	10/12/2009
160348	1F6NF53Y390	2010 CS	CA	3920 F	9/28/2009	10/8/2009
160350	1F6NF53Y590	2010 CS	CA	3920 F	9/24/2009	10/7/2009
160351	1F6NF53Y290	2010 CS	CA	3647 F	10/12/2009	10/22/2009
160352	1F6NF53Y480	2010 CS	CA	3641 F	10/8/2009	10/21/2009
160354	1F6NF53Y180	2010 CS	CA	3855 F	10/5/2009	10/15/2009
160355	1F6NF53Y680	2010 CS	CA	3510 F	10/19/2009	10/28/2009
160356	1F6NF53Y280	2010 CS	CA	3855 F	10/21/2009	10/30/2009
160357	1F6NF53Y280	2010 CS	CA	3920 F	10/20/2009	10/29/2009
160358	1F6NF53Y380	2010 CS	CA	3855 F	10/27/2009	11/5/2009
160359	1F6NF53Y590	2010 CS	CA	3920 F	11/2/2009	11/10/2009
160360	1F6NF53YX90	2010 CS	CA	3920 F	11/4/2009	11/13/2009
160361	1F6NF53Y690	2010 CS	CA	3647 F	12/9/2009	1/11/2010
160362	1F6NF53Y890	2010 CS	CA	3855 F	11/9/2009	11/18/2009
160363	1F6NF53Y990	2010 CS	CA	3920 F	11/13/2009	11/24/2009
160364	1F6NF53Y390	2010 CS	CA	3855 F	11/11/2009	11/20/2009
160365	1F6NF53Y890	2010 CS	CA	3510 F	12/10/2009	1/12/2010
160366	1F6NF53Y190	2010 CS	CA	3920 F	11/18/2009	11/30/2009
160367	1F6NF53Y890	2010 CS	CA	3410 F	12/4/2009	12/15/2009
160368	1F6NF53YX90	2010 CS	CA	3510 F	12/14/2009	1/15/2010
160369	1F6NF53Y490	2010 CS	CA	3641 F	12/9/2009	12/17/2009
160370	1F6NF53Y790	2010 CS	CA	3920 F	11/30/2009	12/9/2009
160371	1F6NF53Y390	2010 CS	CA	3855 F	12/16/2009	1/19/2010
160372	1F6NF53Y390	2010 CS	CA	3647 F	1/11/2010	1/20/2010
160373	1F6NF53Y790	2010 CS	CA	3920 F	12/2/2009	12/11/2009
160374	1F6NF53Y090	2010 CS	CA	3647 F	12/1/2009	12/10/2009
160375	1F6NF53Y690	2010 CS	CA	3641 F	12/3/2009	12/14/2009
160378	5B4MP67GX93	2010 CS	CA	3641 WH	1/13/2010	1/22/2010
160379	5B4MP67G193	2010 CS	CA	3510 WH	1/22/2010	2/2/2010
160380	1F6NF53Y490	2010 CS	CA	3920 F	1/29/2010	2/9/2010
160381	5B4MP67G393	2010 CS	CA	3510 WH	2/2/2010	2/11/2010
160382	1F6NF53Y690	2010 CS	CA	3920 F	2/1/2010	2/10/2010
160383	1F6NF53Y890	2010 CS	CA	3855 F	2/8/2010	2/17/2010
160384	1F6NF53YX90	2010 CS	CA	3855 F	2/11/2010	2/22/2010
160385	1F6NF53Y590	2010 CS	CA	3410 F	2/15/2010	2/24/2010
160386	1F6NF53YX90	2010 CS	CA	3855 F	2/25/2010	3/8/2010
160388	1F66F5DY6B0	2011 CS	CA	3642 F	3/4/2010	3/16/2010
160390	1F6NF53Y590	2011 CS	CA	3920 F	3/11/2010	3/19/2010
160391	1F66F5DY9B0	2011 CS	CA	3920 F	3/15/2010	3/22/2010
160392	1F6NF53Y190	2010 CS	CA	3920 F	3/5/2010	3/16/2010
160393	1F6NF53Y390	2011 CS	CA	3856 F	3/12/2010	3/22/2010
160394	1F66F5DY4B0	2011 CS	CA	3920 F	3/15/2010	3/23/2010
160395	1F66F5DY6B0	2011 CS	CA	3920 F	3/18/2010	3/29/2010
160397	1F66F5DYXB0	2011 CS	CA	3856 F	3/19/2010	3/31/2010
160398	1F66F5DY3B0	2011 CS	CA	3920 F	3/22/2010	4/5/2010
160399	1F66F5DY1B0	2011 CS	CA	3920 F	3/30/2010	4/9/2010
160400	1F66F5DY8B0	2011 CS	CA	3810 F	3/29/2010	4/8/2010
160401	1F66F5DY6B0	2011 CS	CA	3856 F	4/5/2010	4/14/2010

160402	1F66F5DY8B0	[REDACTED]	2011 CS	CA	3642 F	4/7/2010	4/16/2010
160404	1F66F5DY9B0	[REDACTED]	2011 CS	CA	3920 F	4/12/2010	4/21/2010
160405	1F66F5DY7B0	[REDACTED]	2011 CS	CA	3920 F	4/12/2010	4/22/2010
160406	1F66F5DY3B0	[REDACTED]	2011 CS	CA	3920 F	4/14/2010	4/23/2010
160407	1F66F5DYXB0	[REDACTED]	2011 CS	CA	3920 F	4/20/2010	4/29/2010
160408	1F66F5DY0B0	[REDACTED]	2011 CS	CA	3920 F	4/27/2010	5/6/2010
160410	1F66F5DY5B0	[REDACTED]	2011 CS	CA	3920 F	5/5/2010	5/17/2010
160411	1F66F5DY2B0	[REDACTED]	2011 CS	CA	3856 F	4/26/2010	5/5/2010
160412	1F66F5DY1B0	[REDACTED]	2011 CS	CA	3920 F	4/29/2010	5/10/2010
160416	1F66F5DY6B0	[REDACTED]	2011 CS	CA	3920 F	5/6/2010	5/18/2010
160417	5B4MP67G7B3	[REDACTED]	2011 CS	CA	3642 WH	5/11/2010	5/20/2010
160418	1F6NF53YX90	[REDACTED]	2011 CS	CA	3920 F	5/19/2010	5/28/2010
160419	1F6NF53Y890	[REDACTED]	2011 CS	CA	3920 F	5/14/2010	5/24/2010
160422	1F66F5DY6B0	[REDACTED]	2011 CS	CA	3810 F	5/24/2010	6/3/2010
160423	1F66F5DY0B0	[REDACTED]	2011 CS	CA	3810 F	5/26/2010	6/7/2010
160424	5B4MP67G9B3	[REDACTED]	2011 CS	CA	3642 WH	5/18/2010	5/26/2010
160425	1F6NF53Y690	[REDACTED]	2011 CS	CA	3856 F	5/20/2010	6/1/2010
160427	1F66F5DYXB0	[REDACTED]	2011 CS	CA	3642 F	5/28/2010	6/9/2010
160429	1F66F5DY2B0	[REDACTED]	2011 CS	CA	3810 F	5/27/2010	6/8/2010
160430	1F66F5DYXB0	[REDACTED]	2011 CS	CA	3810 F	6/8/2010	6/17/2010
160431	1F66F5DY3B0	[REDACTED]	2011 CS	CA	3642 F	6/9/2010	6/17/2010
160432	1F66F5DY8B0	[REDACTED]	2011 CS	CA	3642 F	6/3/2010	6/11/2010
160433	1F66F5DY1B0	[REDACTED]	2011 CS	CA	3856 F	6/14/2010	6/23/2010
160434	5B4MP67GXB3	[REDACTED]	2011 CS	CA	3411 WH	6/25/2010	7/15/2010
160435	1F66F5DY4B0	[REDACTED]	2011 CS	CA	3856 F	7/14/2010	7/26/2010
160437	5B4MP67G1B3	[REDACTED]	2011 CS	CA	3642 WH	6/30/2010	7/20/2010
160438	1F66F5DY6B0	[REDACTED]	2011 CS	CA	3920 F	7/13/2010	7/22/2010
160439	1F66F5DY5B0	[REDACTED]	2011 CS	CA	3642 F	7/12/2010	7/21/2010
160440	1F66F5DY8B0	[REDACTED]	2011 CS	CA	3920 F	8/12/2010	8/23/2010
160441	1F66F5DY7B0	[REDACTED]	2011 CS	CA	3642 F	7/22/2010	8/3/2010
160442	1F66F5DY7B0	[REDACTED]	2011 CS	CA	3856 F	8/4/2010	8/13/2010
160443	1F66F5DY8B0	[REDACTED]	2011 CS	CA	3920 F	7/27/2010	8/5/2010
160444	1F66F5DYXB0	[REDACTED]	2011 CS	CA	3810 F	8/25/2010	9/3/2010
160446	1F66F5DY0B0	[REDACTED]	2011 CS	CA	3411 F	8/5/2010	8/16/2010
160448	1F66F5DY8B0	[REDACTED]	2011 CS	CA	3856 F	8/19/2010	8/30/2010
160449	1F66F5DY1B0	[REDACTED]	2011 CS	CA	3810 F	8/13/2010	8/26/2010
160450	1F66F5DY3B0	[REDACTED]	2011 CS	CA	3856 F	8/24/2010	9/2/2010
160451	1F66F5DY1B0	[REDACTED]	2011 CS	CA	3856 F	8/23/2010	9/1/2010
160452	5B4MP67G3B3	[REDACTED]	2011 CS	CA	3642 WH	8/20/2010	9/1/2010
160453	1F66F5DY7B0	[REDACTED]	2011 CS	CA	3920 F	8/19/2010	8/31/2010
160454	1F66F5DY5B0	[REDACTED]	2011 CS	CA	3920 F	8/23/2010	9/2/2010
160455	1F66F5DY1B0	[REDACTED]	2011 CS	CA	3856 F	8/26/2010	9/7/2010
160456	1F66F5DY7B0	[REDACTED]	2011 CS	CA	3642 F	9/7/2010	9/16/2010
160457	1F66F5DY3B0	[REDACTED]	2011 CS	CA	3920 F	9/1/2010	9/13/2010
160458	1F66F5DY5B0	[REDACTED]	2011 CS	CA	3920 F	9/14/2010	9/23/2010
160459	5B4MP67G5B3	[REDACTED]	2011 CS	CA	3642 WH	9/14/2010	9/24/2010
160460	1F66F5DY7B0	[REDACTED]	2011 CS	CA	3920 F	9/13/2010	9/23/2010
160461	1F66F5DY6B0	[REDACTED]	2011 CS	CA	3920 F	9/16/2010	9/28/2010
160462	5B4MP67G7B3	[REDACTED]	2011 CS	CA	3411 WH	9/21/2010	9/30/2010
160463	1F66F5DY8B0	[REDACTED]	2011 CS	CA	3856 F	9/20/2010	9/30/2010
160464	1F66F5DY6B0	[REDACTED]	2011 CS	CA	3920 F	9/22/2010	10/1/2010
160466	1F66F5DY9B0	[REDACTED]	2011 CS	CA	3411 F	9/16/2010	9/29/2010

160467	1F66F5DY8B0		2011 CS	CA	3411 F	9/27/2010	10/7/2010
160468	1F66F5DY0B0		2011 CS	CA	3642 F	9/27/2010	10/6/2010
160470	1F66F5DYXB0		2011 CS	CA	3642 F	9/29/2010	10/11/2010
160471	1F66F5DY7B0		2011 CS	CA	3920 F	10/6/2010	10/18/2010
160472	1F66F5DY1B0		2011 CS	CA	3411 F	10/7/2010	10/18/2010
160473	1F66F5DY9B0		2011 CS	CA	3920 F	10/12/2010	10/21/2010
160474	1F66F5DY4B0		2011 CS	CA	3920 F	10/28/2010	11/8/2010
160475	1F66F5DY0B0		2011 CS	CA	3920 F	10/14/2010	10/25/2010
160476	1F66F5DY4B0		2011 CS	CA	3411 F	10/20/2010	10/29/2010
160477	1F66F5DY6B0		2011 CS	CA	3642 F	10/27/2010	11/5/2010
160478	1F66F5DY8B0		2011 CS	CA	3642 F	10/28/2010	11/8/2010
160479	1F66F5DY2B0		2011 CS	CA	3920 F	10/15/2010	10/26/2010
160480	1F66F5DY8B0		2011 CS	CA	3920 F	10/29/2010	11/9/2010
160481	1F66F5DYXB0		2011 CS	CA	3856 F	11/1/2010	11/10/2010
160482	1F66F5DY1B0		2011 CS	CA	3856 F	11/1/2010	11/10/2010
160483	1F66F5DYXB0		2011 CS	CA	3920 F	10/21/2010	11/1/2010
160484	1F66F5DY6B0		2011 CS	CA	3810 F	10/25/2010	11/2/2010
160486	1F66F5DY6B0		2011 CS	CA	3856 F	11/3/2010	11/12/2010
160487	1F66F5DY0B0		2011 CS	CA	3920 F	12/14/2010	1/10/2011
160488	1F66F5DY9B0		2011 CS	CA	3920 F	11/2/2010	11/12/2010
160490	1F66F5DY0B0		2011 CS	CA	3920 F	11/5/2010	11/16/2010
160491	1F66F5DY2B0		2011 CS	CA	3920 F	11/10/2010	11/19/2010
160492	1F66F5DY4B0		2011 CS	CA	3920 F	11/12/2010	11/23/2010
160493	1F66F5DY0B0		2011 CS	CA	3810 F	11/17/2010	11/30/2010
160494	5B4MP67G0B3		2011 CS	CA	3411 WH	11/16/2010	11/29/2010
160495	1F66F5DY6B0		2011 CS	CA	3920 F	11/15/2010	11/24/2010
160496	5B4MP67G9B3		2011 CS	CA	3642 WH	11/18/2010	12/1/2010
160497	1F66F5DY4B0		2011 CS	CA	3920 F	11/22/2010	12/3/2010
160498	1F66F5DY2B0		2011 CS	CA	3920 F	11/23/2010	12/6/2010
160499	1F66F5DY0B0		2011 CS	CA	3920 F	11/24/2010	12/7/2010
160500	1F66F5DY4B0		2011 CS	CA	3920 F	12/13/2010	1/7/2011
160501	1F66F5DY6B0		2011 CS	CA	3920 F	12/10/2010	1/5/2011
160502	5B4MP67G0B3		2011 CS	CA	3642 WH	11/30/2010	12/9/2010
160503	1F66F5DYXB0		2011 CS	CA	3810 F	1/7/2011	1/18/2011
160504	1F66F5DY2B0		2011 CS	CA	3810 F	12/14/2010	1/10/2011
160505	1F66F5DYXB0		2011 CS	CA	3411 F	12/1/2010	12/10/2010
160506	1F66F5DY8B0		2011 CS	CA	3856 F	1/3/2011	1/12/2011
160507	5B4MP67G2B3		2011 CS	CA	3642 WH	1/4/2011	1/14/2011
160508	1F66F5DY0B0		2011 CS	CA	3810 F	1/27/2011	2/7/2011
160509	1F66F5DY3B0		2011 CS	CA	3856 F	1/11/2011	1/19/2011
160510	1F66F5DY1B0		2011 CS	CA	3920 F	1/17/2011	1/26/2011
160511	1F66F5DY0B0		2011 CS	CA	3920 F	1/19/2011	1/27/2011
160515	1F66F5DY4B0		2011 CS	CA	3920 F	1/25/2011	2/3/2011
160516	1F66F5DY9B0		2011 CS	CA	3642 F	2/21/2011	3/2/2011
160517	1F66F5DY3B0		2011 CS	CA	3642 F	1/18/2011	1/27/2011
160518	1F66F5DY5B0		2011 CS	CA	3642 F	1/20/2011	1/31/2011
160519	1F66F5DY5B0		2011 CS	CA	3920 F	1/13/2011	1/24/2011
160520	1F66F5DY2B0		2011 CS	CA	3810 F	1/24/2011	2/1/2011
160521	1F66F5DY2B0		2011 CS	CA	3920 F	1/26/2011	2/7/2011
160522	1F66F5DY7B0		2011 CS	CA	3642 F	1/31/2011	2/9/2011
160523	1F66F5DY6B0		2011 CS	CA	3856 F	2/8/2011	2/16/2011
160524	1F66F5DY8B0		2011 CS	CA	3920 F	2/7/2011	2/14/2011

160525	1F66F5DY1B0	2011 CS	CA	3920 F	2/11/2011	2/21/2011
160526	1F66F5DYXB0	2011 CS	CA	3920 F	2/8/2011	2/15/2011
160527	1F66F5DY9B0	2011 CS	CA	3920 F	2/15/2011	2/22/2011
160528	1F66F5DY4B0	2012 CS	CA	3920 F	2/10/2011	2/18/2011
160529	1F66F5DY0B0	2011 CS	CA	3856 F	2/16/2011	2/24/2011
160530	1F66F5DY1B0	2012 CS	CA	3856 F	2/18/2011	2/28/2011
160531	1F66F5DY3B0	2011 CS	CA	3920 F	2/23/2011	3/3/2011
160532	1F66F5DY7B0	2011 CS	CA	3642 F	2/25/2011	3/8/2011
160533	1F66F5DY7B0	2011 CS	CA	3920 F	3/1/2011	3/10/2011
160534	1F66F5DY9B0	2011 CS	CA	3642 F	3/3/2011	3/15/2011
160535	1F66F5DY5B0	2011 CS	CA	3920 F	3/2/2011	3/11/2011
160536	1F66F5DY3B0	2011 CS	CA	3810 F	3/4/2011	3/16/2011
160537	1F66F5DY0B0	2011 CS	CA	3642 F	3/16/2011	3/25/2011
160538	1F66F5DY0B0	2011 CS	CA	3920 F	3/28/2011	4/5/2011
160539	1F66F5DY5B0	2011 CS	CA	3810 F	3/18/2011	3/29/2011
160540	1F66F5DY6B0	2011 CS	CA	3920 F	4/27/2011	5/6/2011
160541	1F66F5DY3B0	2011 CS	CA	3642 F	4/4/2011	4/13/2011
160542	1F66F5DYXB0	2011 CS	CA	3810 F	4/7/2011	4/18/2011
160543	1F66F5DY2B0	2011 CS	CA	3810 F	4/8/2011	4/20/2011
160544	1F66F5DYXB0	2011 CS	CA	3810 F	4/13/2011	4/25/2011
160545	1F66F5DY7B0	2011 CS	CA	3642 F	4/12/2011	4/25/2011
160546	1F66F5DY6B0	2011 CS	CA	3810 F	4/11/2011	4/20/2011
160547	1F66F5DYXB0	2011 CS	CA	3920 F	4/15/2011	4/27/2011
160548	1F66F5DY1B0	2011 CS	CA	3920 F	4/18/2011	4/28/2011
160549	1F66F5DY8B0	2011 CS	CA	3810 F	4/14/2011	4/27/2011
160550	1F66F5DY5B0	2011 CS	CA	3856 F	4/25/2011	5/4/2011
160551	1F66F5DY8B0	2011 CS	CA	3810 F	4/28/2011	5/9/2011
160552	1F66F5DY3B0	2011 CS	CA	3810 F	4/20/2011	5/3/2011
160553	1F66F5DY0B0	2011 CS	CA	3920 F	5/11/2011	5/20/2011
160554	1F66F5DY9B0	2011 CS	CA	3642 F	5/4/2011	5/13/2011
160557	1F66F5DY4B0	2011 CS	CA	3642 F	4/29/2011	5/10/2011
160558	1F66F5DY1B0	2011 CS	CA	3810 F	5/6/2011	5/17/2011
160559	1F66F5DY9B0	2011 CS	CA	3642 F	5/9/2011	5/18/2011
160560	1F66F5DY2B0	2011 CS	CA	3920 F	5/17/2011	5/26/2011
160561	1F66F5DY1B0	2012 CS	CA	3511 F	5/20/2011	6/3/2011
160562	1F66F5DY4B0	2011 CS	CA	3856 F	5/13/2011	5/24/2011
160563	1F66F5DY8B0	2012 CS	CA	3920 F	6/1/2011	6/13/2011
160564	1F66F5DY6B0	2012 CS	CA	3714 F	5/26/2011	6/9/2011
160565	1F66F5DY3B0	2012 CS	CA	3642 F	6/3/2011	6/14/2011
160566	1F66F5DY5B0	2012 CS	CA	3714 F	6/6/2011	6/16/2011
160568	1F66F5DY9B0	2012 CS	CA	3920 F	6/7/2011	6/17/2011
160569	1F66F5DY0B0	2012 CS	CA	3714 F	6/10/2011	6/21/2011
160570	1F66F5DY7B0	2012 CS	CA	3856 F	6/8/2011	6/20/2011
160571	1F66F5DY6B0	2012 CS	CA	3920 F	6/16/2011	6/27/2011
160572	1F66F5DY0B0	2012 CS	CA	3714 F	6/17/2011	6/28/2011
160573	1F66F5DY2B0	2012 CS	CA	3856 F	6/13/2011	6/23/2011
160574	1F66F5DY4B0	2012 CS	CA	3856 F	6/14/2011	6/24/2011
160575	1F66F5DY2B0	2012 CS	CA	3810 F	6/15/2011	6/24/2011
160576	1F66F5DY4B0	2012 CS	CA	3642 F	7/21/2011	8/2/2011
160577	1F66F5DY2B0	2012 CS	CA	3856 F	6/20/2011	6/29/2011
160578	1F66F5DY4B0	2012 CS	CA	3920 F	7/11/2011	7/20/2011
160579	1F66F5DY2B0	2012 CS	CA	3642 F	6/22/2011	7/11/2011

160580	1F66F5DY4B0	2012 CS	CA	3920 F	6/20/2011	6/30/2011
160583	1F66F5DY6B0	2012 CS	CA	3920 F	7/15/2011	7/27/2011
160584	1F66F5DY6B0	2012 CS	CA	3511 F	7/12/2011	7/21/2011
160585	1F66F5DYXB0	2012 CS	CA	3856 F	9/7/2011	9/16/2011
160586	1F66F5DY9B0	2012 CS	CA	3920 F	6/24/2011	7/13/2011
160587	1F66F5DY0B0	2012 CS	CA	3920 F	6/27/2011	7/14/2011
160588	1F66F5DY7B0	2012 CS	CA	3856 F	6/24/2011	7/14/2011
160589	1F66F5DY9B0	2012 CS	CA	3810 F	7/25/2011	8/8/2011
160590	1F66F5DY3B0	2012 CS	CA	3856 F	6/30/2011	7/20/2011
160591	1F66F5DY5B0	2012 CS	CA	3920 F	7/18/2011	7/27/2011
160592	1F66F5DY7B0	2012 CS	CA	3920 F	7/20/2011	8/1/2011
160593	1F66F5DY0B0	2012 CS	CA	3920 F	8/1/2011	8/11/2011
160594	1F66F5DY0B0	2012 CS	CA	3920 F	8/4/2011	8/16/2011
160595	1F66F5DY2B0	2012 CS	CA	3856 F	8/9/2011	8/18/2011
160597	1F66F5DY6B0	2012 CS	CA	3810 F	8/22/2011	8/31/2011
160598	1F66F5DY8B0	2012 CS	CA	3856 F	8/30/2011	9/12/2011
160599	1F66F5DY1B0	2012 CS	CA	3920 F	8/30/2011	9/13/2011
160600	1F66F5DY1B0	2012 CS	CA	3911 F	9/7/2011	9/16/2011
160601	1F66F5DY9B0	2012 CS	CA	3920 F	9/7/2011	9/19/2011
160602	1F66F5DY8B0	2012 CS	CA	3511 F	9/1/2011	9/15/2011
160603	1F66F5DY8B0	2012 CS	CA	3856 F	9/6/2011	9/16/2011
160604	1F66F5DY7C0	2012 CS	CA	3856 F	9/8/2011	9/19/2011
160605	1F66F5DY9C0	2012 CS	CA	3920 F	9/8/2011	9/20/2011
160606	1F66F5DY5C0	2012 CS	CA	3856 F	9/13/2011	9/22/2011
160607	1F66F5DY5C0	2012 CS	CA	3642 F	9/12/2011	9/22/2011
160609	1F66F5DYXB0	2012 CS	CA	3642 F	9/9/2011	9/20/2011
160610	1F66F5DY5C0	2012 CS	CA	3920 F	9/15/2011	9/27/2011
160611	1F66F5DY9C0	2012 CS	CA	3920 F	9/15/2011	9/27/2011
160612	1F66F5DY3C0	2012 CS	CA	3642 F	9/19/2011	9/29/2011
160613	1F66F5DY2C0	2012 CS	CA	3920 F	9/22/2011	10/5/2011
160614	1F66F5DY0C0	2012 CS	CA	3920 F	9/26/2011	10/7/2011
160615	1F66F5DY7C0	2012 CS	CA	3856 F	9/26/2011	10/6/2011
160616	1F66F5DY0C0	2012 CS	CA	3856 F	9/28/2011	10/10/2011
160617	1F66F5DY9C0	2012 CS	CA	3920 F	9/27/2011	10/7/2011
160618	1F66F5DY7C0	2012 CS	CA	3920 F	9/29/2011	10/11/2011
160619	1F66F5DY9C0	2012 CS	CA	3856 F	10/12/2011	10/21/2011
160620	1F66F5DY5C0	2012 CS	CA	3920 F	10/5/2011	10/14/2011
160621	1F66F5DY3C0	2012 CS	CA	3810 F	10/11/2011	10/20/2011
160622	1F66F5DY0C0	2012 CS	CA	3920 F	10/10/2011	10/19/2011
160623	1F66F5DY7C0	2012 CS	CA	3511 F	10/7/2011	10/18/2011
160624	1F66F5DY4C0	2012 CS	CA	3856 F	10/18/2011	10/26/2011
160625	1F66F5DY2C0	2012 CS	CA	3920 F	11/10/2011	11/18/2011
160626	1F66F5DY7C0	2012 CS	CA	3920 F	11/1/2011	11/10/2011
160627	1F66F5DY6C0	2012 CS	CA	3920 F	10/20/2011	10/31/2011
160628	1F66F5DY2C0	2012 CS	CA	3920 F	10/24/2011	11/1/2011
160629	1F66F5DY8C0	2012 CS	CA	3920 F	11/1/2011	11/9/2011
160630	1F66F5DY9C0	2012 CS	CA	3911 F	10/14/2011	10/25/2011
160631	1F66F5DY9C0	2012 CS	CA	3810 F	11/10/2011	11/21/2011
160632	1F66F5DY6C0	2012 CS	CA	3856 F	10/21/2011	11/1/2011
160633	1F66F5DY0C0	2012 CS	CA	3920 F	11/8/2011	11/16/2011
160634	1F66F5DY4C0	2012 CS	CA	3920 F	11/14/2011	11/22/2011
160635	1F66F5DY3C0	2012 CS	CA	3911 F	11/17/2011	11/29/2011

160636	1F66F5DYXC0	2012 CS	CA	3911 F	11/4/2011	11/14/2011
160637	1F66F5DY0C0	2012 CS	CA	3920 F	11/17/2011	11/29/2011
160638	1F66F5DY0C0	2012 CS	CA	3920 F	11/21/2011	11/30/2011
160639	1F66F5DY9C0	2012 CS	CA	3920 F	11/3/2011	11/14/2011
160641	1F66F5DY1C0	2012 CS	CA	3856 F	11/16/2011	11/28/2011
160642	1F66F5DY9C0	2012 CS	CA	3856 F	11/18/2011	11/30/2011
160643	1F66F5DY2C0	2012 CS	CA	3920 F	11/23/2011	12/2/2011
160644	1F66F5DY2C0	2012 CS	CA	3920 F	12/8/2011	12/19/2011
160645	1F66F5DY4C0	2012 CS	CA	3920 F	11/28/2011	12/6/2011
160646	1F66F5DY0C0	2012 CS	CA	3856 F	11/29/2011	12/6/2011
160647	1F66F5DY7C0	2012 CS	CA	3810 F	12/2/2011	12/12/2011
160648	1F66F5DY9C0	2012 CS	CA	3920 F	11/30/2011	12/7/2011
160649	1F66F5DY8C0	2012 CS	CA	3920 F	11/22/2011	12/1/2011
160650	1F66F5DY2C0	2012 CS	CA	3920 F	11/30/2011	12/8/2011
160651	1F66F5DY5C0	2012 CS	CA	3511 F	12/5/2011	12/13/2011
160653	1F66F5DY5C0	2012 CS	CA	3920 F	12/15/2011	1/10/2012
160654	1F66F5DY9C0	2012 CS	CA	3810 F	2/24/2012	3/6/2012
160655	1F66F5DYXC0	2012 CS	CA	3810 F	12/9/2011	12/20/2011
160656	1F66F5DYXC0	2012 CS	CA	3911 F	1/19/2012	1/30/2012
160657	1F66F5DY6C0	2012 CS	CA	3920 F	1/10/2012	1/19/2012
160658	1F66F5DY8C0	2012 CS	CA	3920 F	1/16/2012	1/25/2012
160659	1F66F5DY5C0	2012 CS	CA	3856 F	2/20/2012	2/29/2012
160661	1F66F5DY4C0	2012 CS	CA	3911 F	3/7/2012	3/20/2012
160665	1F66F5DY6C0	2012 CS	CA	3920 F	2/6/2012	2/15/2012
160666	1F66F5DYXC0	2012 CS	CA	3920 F	2/16/2012	2/27/2012
160667	1F66F5DY9C0	2012 CS	CA	3642 F	1/26/2012	2/6/2012
160668	1F66F5DY4C0	2013 CS	CA	3940 F	3/12/2012	3/22/2012
160669	1F66F5DY5C0	2012 CS	CA	3856 F	2/24/2012	3/7/2012
160671	1F66F5DY8C0	2012 CS	CA	3856 F	2/10/2012	2/21/2012
160672	1F66F5DY7C0	2012 CS	CA	3920 F	2/21/2012	3/2/2012
160673	1F66F5DY3C0	2012 CS	CA	3511 F	2/13/2012	2/23/2012
160674	1F66F5DY5C0	2012 CS	CA	3511 F	2/15/2012	2/24/2012
160675	1F66F5DY3C0	2012 CS	CA	3911 F	2/13/2012	2/22/2012
160676	1F66F5DY9C0	2012 CS	CA	3920 F	2/22/2012	3/2/2012
160677	1F66F5DY7C0	2012 CS	CA	3856 F	2/23/2012	3/5/2012
160678	1F66F5DY7C0	2012 CS	CA	3920 F	3/1/2012	3/13/2012
160679	1F66F5DY6C0	2012 CS	CA	3511 F	2/27/2012	3/8/2012
160680	1F66F5DY2C0	2012 CS	CA	3920 F	3/8/2012	3/21/2012
160682	1F66F5DY3C0	2012 CS	CA	3911 F	3/12/2012	3/27/2012
160683	1F66F5DY2C0	2012 CS	CA	3920 F	3/2/2012	3/14/2012
160684	1F66F5DY0C0	2012 CS	CA	3856 F	3/5/2012	3/15/2012
160685	1F66F5DYXC0	2012 CS	CA	3642 F	3/6/2012	3/19/2012
160686	1F66F5DY1C0	2012 CS	CA	3511 F	3/13/2012	3/28/2012
160687	1F66F5DY6C0	2012 CS	CA	3856 F	3/20/2012	4/10/2012
160688	1F66F5DY7C0	2012 CS	CA	3920 F	4/18/2012	5/2/2012
160689	1F66F5DY9C0	2012 CS	CA	3920 F	4/17/2012	4/30/2012
160690	1F66F5DY6C0	2012 CS	CA	3920 F	3/19/2012	4/10/2012
160691	1F66F5DY5C0	2012 CS	CA	3911 F	3/14/2012	3/29/2012
160692	1F66F5DY8C0	2012 CS	CA	3856 F	3/15/2012	4/9/2012
160693	1F66F5DY8C0	2012 CS	CA	3856 F	3/19/2012	4/9/2012
160694	1F66F5DY8C0	2012 CS	CA	3642 F	3/20/2012	4/11/2012
160695	1F66F5DY1C0	2012 CS	CA	3920 F	3/22/2012	4/12/2012

160696	1F66F5DYXC0	2012 CS	CA	3920 F	3/21/2012	4/11/2012
160697	1F66F5DY3C0	2012 CS	CA	3920 F	3/29/2012	4/18/2012
160698	1F66F5DY0C0	2012 CS	CA	3642 F	4/9/2012	4/18/2012
160699	1F66F5DY3C0	2012 CS	CA	3642 F	3/28/2012	4/16/2012
160700	1F66F5DY5C0	2012 CS	CA	3920 F	4/11/2012	4/25/2012
160701	1F66F5DY9C0	2012 CS	CA	3810 F	5/3/2012	5/14/2012
160702	1F66F5DY7C0	2012 CS	CA	3511 F	5/1/2012	5/10/2012
160703	1F66F5DY0C0	2012 CS	CA	3911 F	4/26/2012	5/8/2012
160704	1F66F5DY0C0	2012 CS	CA	3920 F	4/24/2012	5/3/2012
160706	1F66F5DY4C0	2012 CS	CA	3920 F	4/30/2012	5/9/2012
160707	1F66F5DY5C0	2013 CS	CA	3920 F	5/11/2012	5/22/2012
160708	1F66F5DY8C0	2012 CS	CA	3920 F	5/3/2012	5/15/2012
160709	1F66F5DY6C0	2013 CS	CA	3953 F	5/24/2012	6/5/2012
160710	1F66F5DY6C0	2013 CS	CA	3911 F	5/10/2012	5/21/2012
160711	1F66F5DY9C0	2013 CS	CA	3515 F	5/7/2012	5/16/2012
160712	1F66F5DY1C0	2013 CS	CA	3610 F	5/14/2012	5/23/2012
160713	1F66F5DYXC0	2013 CS	CA	3610 F	5/11/2012	5/22/2012
160714	1F66F5DY7C0	2013 CS	CA	3515 F	5/25/2012	6/6/2012
160715	1F66F5DY8C0	2013 CS	CA	3953 F	5/29/2012	6/7/2012
160716	1F66F5DY5C0	2013 CS	CA	3610 F	5/15/2012	5/24/2012
160717	1F66F5DY3C0	2013 CS	CA	3920 F	5/16/2012	5/25/2012
160718	1F66F5DY9C0	2013 CS	CA	3940 F	5/15/2012	5/24/2012
160719	1F66F5DY2C0	2013 CS	CA	3953 F	5/16/2012	5/25/2012
160720	1F66F5DY2C0	2012 CS	CA	3920 F	5/22/2012	5/31/2012
160721	1F66F5DY6C0	2013 CS	CA	3856 F	5/31/2012	6/8/2012
160722	1F66F5DY4C0	2013 CS	CA	3953 F	5/21/2012	5/30/2012
160723	1F66F5DY0C0	2013 CS	CA	3856 F	5/18/2012	5/29/2012
160724	1F66F5DY3C0	2013 CS	CA	3920 F	6/18/2012	6/26/2012
160725	1F66F5DY8C0	2013 CS	CA	3940 F	6/5/2012	6/14/2012
160727	1F66F5DYXC0	2013 CS	CA	3953 F	6/27/2012	7/17/2012
160728	1F66F5DY8C0	2013 CS	CA	3953 F	6/25/2012	7/13/2012
160729	1F66F5DY7C0	2013 CS	CA	3940 F	6/21/2012	7/11/2012
160730	1F66F5DY8C0	2013 CS	CA	3610 F	6/15/2012	6/22/2012
160731	1F66F5DYXC0	2013 CS	CA	3610 F	6/15/2012	6/25/2012
160732	1F66F5DY1C0	2013 CS	CA	3920 F	6/8/2012	6/18/2012
160734	1F66F5DYXC0	2013 CS	CA	3920 F	5/31/2012	6/11/2012
160736	1F66F5DY8C0	2013 CS	CA	3920 F	6/7/2012	6/15/2012
160737	1F66F5DY5C0	2013 CS	CA	3911 F	7/12/2012	7/20/2012
160738	1F66F5DY1C0	2013 CS	CA	3810 F	7/9/2012	7/18/2012
160739	1F66F5DY3C0	2013 CS	CA	3610 F	7/25/2012	8/3/2012
160740	1F66F5DY3C0	2013 CS	CA	3610 F	7/17/2012	7/25/2012
160741	1F66F5DY1C0	2013 CS	CA	3610 F	6/18/2012	6/26/2012
160742	1F66F5DYXC0	2013 CS	CA	3856 F	6/14/2012	6/22/2012
160743	1F66F5DY4C0	2013 CS	CA	3920 F	6/18/2012	6/25/2012
160744	1F66F5DY3C0	2013 CS	CA	3920 F	7/10/2012	7/18/2012
160745	1F66F5DY5C0	2013 CS	CA	3920 F	6/19/2012	6/27/2012
160746	1F66F5DY2C0	2013 CS	CA	3920 F	6/20/2012	7/10/2012
160747	1F66F5DY3C0	2013 CS	CA	3610 F	7/24/2012	8/2/2012
160748	1F66F5DY0C0	2013 CS	CA	3920 F	6/21/2012	7/10/2012
160749	1F66F5DYXD0	2013 CS	CA	3920 F	8/2/2012	8/13/2012
160750	1F66F5DY1C0	2013 CS	CA	3920 F	7/19/2012	7/27/2012
160751	1F66F5DY6C0	2013 CS	CA	3856 F	6/22/2012	7/12/2012

160753	1F66F5DY3D0		2013 CS	CA	3911 F	8/7/2012	8/16/2012
160754	1F66F5DY7C0		2013 CS	CA	3610 F	7/19/2012	7/30/2012
160755	1F66F5DYXC0		2013 CS	CA	3911 F	7/12/2012	7/23/2012
160756	1F66F5DY5D0		2013 CS	CA	3920 F	7/26/2012	8/6/2012
160757	1F66F5DY4D0		2013 CS	CA	3911 F	7/25/2012	8/3/2012
160758	1F66F5DY5C0		2013 CS	CA	3610 F	8/3/2012	8/14/2012
160759	1F66F5DY5D0		2013 CS	CA	3953 F	8/14/2012	8/23/2012
160760	1F66F5DY6C0		2013 CS	CA	3610 F	8/10/2012	8/21/2012
160761	1F66F5DY1C0		2013 CS	CA	3610 F	8/22/2012	8/31/2012
160762	1F66F5DY7D0		2013 CS	CA	3920 F	8/13/2012	8/22/2012
160763	1F66F5DY9C0		2013 CS	CA	3920 F	7/27/2012	8/7/2012
160764	1F66F5DY1D0		2013 CS	CA	3920 F	8/6/2012	8/15/2012
160765	1F66F5DYXD0		2013 CS	CA	3810 F	8/31/2012	9/12/2012
160766	1F66F5DYXD0		2013 CS	CA	3856 F	8/23/2012	9/4/2012
160767	1F66F5DY8D0		2013 CS	CA	3856 F	8/28/2012	9/7/2012
160768	1F66F5DY1D0		2013 CS	CA	3920 F	9/5/2012	9/14/2012
160769	1F66F5DYXC0		2013 CS	CA	3313 F	8/17/2012	8/28/2012
160771	1F66F5DY8D0		2013 CS	CA	3810 F	9/24/2012	10/15/2012
160773	1F66F5DY1D0		2013 CS	CA	3911 F	9/15/2012	9/25/2012
160774	1F66F5DY8D0		2013 CS	CA	3920 F	8/31/2012	9/11/2012
160775	1F66F5DY3D0		2013 CS	CA	3911 F	8/29/2012	9/10/2012
160776	1F66F5DY1D0		2013 CS	CA	3920 F	8/24/2012	9/4/2012
160777	1F66F5DY6D0		2013 CS	CA	3920 F	9/5/2012	9/13/2012
160779	1F66F5DY3D0		2013 CS	CA	3920 F	9/4/2012	9/13/2012
160780	1F66F5DY6D0		2013 CS	CA	3920 F	9/6/2012	9/17/2012
160781	1F66F5DY3D0		2013 CS	CA	3920 F	9/17/2012	9/26/2012
160782	1F66F5DY8D0		2013 CS	CA	3610 F	9/14/2012	9/24/2012
160783	1F66F5DY5D0		2013 CS	CA	3953 F	9/18/2012	9/27/2012
160784	1F66F5DY1D0		2013 CS	CA	3856 F	9/10/2012	9/18/2012
160785	1F66F5DYXD0		2013 CS	CA	3920 F	9/14/2012	9/24/2012
160786	1F66F5DY4D0		2013 CS	CA	3920 F	8/30/2012	9/11/2012
160787	1F66F5DYXD0		2013 CS	CA	3920 F	9/11/2012	9/20/2012
160788	1F66F5DY3D0		2013 CS	CA	3911 F	9/13/2012	9/21/2012
160789	1F66F5DY1D0		2013 CS	CA	3920 F	9/15/2012	9/25/2012
160790	1F66F5DY8D0		2013 CS	CA	3920 F	9/26/2012	10/8/2012
160791	1F66F5DY7D0		2013 CS	CA	3920 F	9/19/2012	10/2/2012
160793	1F66F5DY9D0		2013 CS	CA	3911 F	9/26/2012	10/9/2012
160794	1F66F5DY8D0		2013 CS	CA	3515 F	10/5/2012	10/15/2012
160795	1F66F5DY2D0		2013 CS	CA	3920 F	10/22/2012	10/30/2012
160796	1F66F5DY6D0		2013 CS	CA	3515 F	10/9/2012	10/18/2012
160797	1F66F5DY5D0		2013 CS	CA	3920 F	10/10/2012	10/19/2012
160798	1F66F5DY0D0		2013 CS	CA	3920 F	10/11/2012	10/19/2012
160799	1F66F5DY7D0		2013 CS	CA	3856 F	10/12/2012	10/23/2012
160800	1F66F5DY2D0		2013 CS	CA	3920 F	11/8/2012	11/15/2012
160801	1F66F5DY2D0		2013 CS	CA	3810 F	11/21/2012	11/30/2012
160802	1F66F5DY7D0		2013 CS	CA	3610 F	11/6/2012	11/14/2012
160803	1F66F5DY4D0		2013 CS	CA	3940 F	10/26/2012	11/5/2012
160804	1F66F5DY0D0		2013 CS	CA	3610 F	10/23/2012	10/31/2012
160805	1F66F5DY8D0		2013 CS	CA	3920 F	10/30/2012	11/6/2012
160806	1F66F5DY6D0		2013 CS	CA	3920 F	10/25/2012	11/2/2012
160807	1F66F5DY0D0		2013 CS	CA	3953 F	10/26/2012	11/5/2012
160808	1F66F5DY1D0		2013 CS	CA	3953 F	11/20/2012	11/29/2012

160809	1F66F5DY1D0	2013 CS	CA	3911 F	1/7/2013	1/14/2013
160812	1F66F5DY4D0	2013 CS	CA	3940 F	12/7/2012	12/17/2012
160813	1F66F5DY9D0	2013 CS	CA	3953 F	10/15/2012	10/24/2012
160814	1F66F5DY3D0	2013 CS	CA	3920 F	11/7/2012	11/15/2012
160815	1F66F5DYXD0	2013 CS	CA	3953 F	11/6/2012	11/13/2012
160816	1F66F5DY2D0	2013 CS	CA	3953 F	11/2/2012	11/9/2012
160817	1F66F5DY6D0	2013 CS	CA	3953 F	10/31/2012	11/7/2012
160818	1F66F5DY0D0	2013 CS	CA	3940 F	11/9/2012	11/19/2012
160819	1F66F5DY3D0	2013 CS	CA	3610 F	11/28/2012	12/6/2012
160820	1F66F5DY4D0	2013 CS	CA	3920 F	11/13/2012	11/20/2012
160821	1F66F5DY0D0	2013 CS	CA	3920 F	11/26/2012	12/3/2012
160822	1F66F5DY7D0	2013 CS	CA	3920 F	12/5/2012	12/12/2012
160823	1F66F5DY9D0	2013 CS	CA	3920 F	11/13/2012	11/21/2012
160824	1F66F5DY5D0	2013 CS	CA	3953 F	11/14/2012	11/21/2012
160826	1F66F5DY9D0	2013 CS	CA	3920 F	11/9/2012	11/16/2012
160827	1F66F5DY5D0	2013 CS	CA	3920 F	11/16/2012	11/28/2012
160828	1F66F5DY9D0	2013 CS	CA	3920 F	12/11/2012	12/19/2012
160829	1F66F5DY3D0	2013 CS	CA	3920 F	11/15/2012	11/26/2012
160830	1F66F5DY7D0	2013 CS	CA	3610 F	11/15/2012	11/27/2012
160832	1F66F5DY4D0	2013 CS	CA	3911 F	11/30/2012	12/10/2012
160833	1F66F5DY8D0	2013 CS	CA	3920 F	12/14/2012	1/7/2013
160834	1F66F5DY8D0	2013 CS	CA	3940 F	12/10/2012	12/17/2012
160835	1F66F5DY9D0	2013 CS	CA	3515 F	1/7/2013	1/15/2013
160836	1F66F5DY5D0	2013 CS	CA	3610 F	1/9/2013	1/17/2013
160837	1F66F5DY6D0	2013 CS	CA	3911 F	12/3/2012	12/10/2012
160838	1F66F5DY6D0	2013 CS	CA	3911 F	12/4/2012	12/11/2012
160841	1F66F5DY1D0	2013 CS	CA	3953 F	1/18/2013	1/28/2013
160844	1F66F5DY0D0	2013 CS	CA	3911 F	1/22/2013	1/30/2013
160847	1F66F5DYXD0	2013 CS	CA	3911 F	12/14/2012	1/8/2013
160848	1F66F5DY7D0	2013 CS	CA	3920 F	1/18/2013	1/28/2013
160849	1F66F5DY9D0	2013 CS	CA	3920 F	2/1/2013	2/11/2013
160850	1F66F5DY8D0	2013 CS	CA	3920 F	1/24/2013	2/1/2013
160852	1F66F5DY4D0	2014 CS	CA	3921 F	2/22/2013	3/5/2013
160854	1F66F5DY6D0	2013 CS	CA	3953 F	1/30/2013	2/7/2013
160855	1F66F5DY2D0	2013 CS	CA	3920 F	1/29/2013	2/6/2013
160856	1F66F5DY7D0	2013 CS	CA	3610 F	1/23/2013	1/31/2013
160857	1F66F5DY4D0	2013 CS	CA	3610 F	1/7/2013	1/15/2013
160858	1F66F5DY5D0	2013 CS	CA	3920 F	1/16/2013	1/24/2013
160859	1F66F5DY3D0	2013 CS	CA	3920 F	1/31/2013	2/11/2013
160860	1F66F5DY5D0	2013 CS	CA	3610 F	1/29/2013	2/6/2013
160861	1F66F5DY0D0	2013 CS	CA	3953 F	2/1/2013	2/12/2013
160862	1F66F5DY2D0	2013 CS	CA	3610 F	2/13/2013	2/21/2013
160863	1F66F5DY4D0	2013 CS	CA	3920 F	1/28/2013	2/5/2013
160864	1F66F5DY7D0	2013 CS	CA	3940 F	2/5/2013	2/13/2013
160865	1F66F5DY9D0	2013 CS	CA	3911 F	1/30/2013	2/7/2013
160866	1F66F5DY5D0	2013 CS	CA	3920 F	2/4/2013	2/12/2013
160867	1F66F5DY7D0	2013 CS	CA	3610 F	2/6/2013	2/14/2013
160868	1F66F5DY5D0	2013 CS	CA	3920 F	1/14/2013	1/22/2013
160870	1F66F5DY8D0	2013 CS	CA	3953 F	3/1/2013	3/11/2013
160872	1F66F5DY7D0	2013 CS	CA	3920 F	3/8/2013	3/18/2013
160873	1F66F5DY2D0	2013 CS	CA	3610 F	2/14/2013	2/25/2013
160874	1F66F5DY9D0	2013 CS	CA	3953 F	2/12/2013	2/20/2013

160876	1F66F5DY6D0	2013 CS	CA	3920 F	2/19/2013	2/27/2013
160877	1F66F5DY8D0	2013 CS	CA	3953 F	2/21/2013	3/1/2013
160878	1F66F5DYXD0	2013 CS	CA	3610 F	2/22/2013	3/4/2013
160879	1F66F5DY0D0	2013 CS	CA	3610 F	2/11/2013	2/20/2013
160880	1F66F5DY2D0	2013 CS	CA	3920 F	2/28/2013	3/8/2013
160881	1F66F5DY0D0	2013 CS	CA	3940 F	2/14/2013	2/22/2013
160882	1F66F5DY3D0	2013 CS	CA	3920 F	3/13/2013	3/20/2013
160883	1F66F5DY9D0	2013 CS	CA	3610 F	2/7/2013	2/15/2013
160884	1F66F5DY6D0	2013 CS	CA	3920 F	3/1/2013	3/11/2013
160885	1F66F5DY0D0	2013 CS	CA	3610 F	2/27/2013	3/7/2013
160886	1F66F5DY4D0	2013 CS	CA	3610 F	2/19/2013	2/28/2013
160887	1F66F5DY4D0	2013 CS	CA	3515 F	2/20/2013	2/28/2013
160888	1F66F5DY5D0	2013 CS	CA	3920 F	3/11/2013	3/19/2013
160889	1F66F5DY4D0	2013 CS	CA	3610 F	3/13/2013	3/21/2013
160890	1F66F5DY1D0	2013 CS	CA	3610 F	3/7/2013	3/15/2013
160891	1F66F5DY7D0	2013 CS	CA	3920 F	3/12/2013	3/19/2013
160892	1F66F5DY6D0	2013 CS	CA	3515 F	3/14/2013	3/21/2013
160893	1F66F5DY0D0	2013 CS	CA	3920 F	3/18/2013	3/26/2013
160894	1F66F5DY6D0	2013 CS	CA	3610 F	3/19/2013	3/27/2013
160895	1F66F5DY1D0	2013 CS	CA	3515 F	3/5/2013	3/13/2013
160896	1F66F5DYXD0	2013 CS	CA	3610 F	4/11/2013	4/19/2013
160897	1F66F5DY6D0	2013 CS	CA	3610 F	2/25/2013	3/6/2013
160898	1F66F5DY5D0	2013 CS	CA	3515 F	3/14/2013	3/22/2013
160899	1F66F5DY8D0	2013 CS	CA	3610 F	4/1/2013	4/9/2013
160900	1F66F5DY9D0	2013 CS	CA	3911 F	3/15/2013	3/25/2013
160901	1F66F5DYXD0	2013 CS	CA	3953 F	4/2/2013	4/10/2013
160903	1F66F5DY6D0	2013 CS	CA	3911 F	3/28/2013	4/8/2013
160904	1F66F5DY2D0	2013 CS	CA	3810 F	4/3/2013	4/11/2013
160905	1F66F5DY8D0	2013 CS	CA	3920 F	4/4/2013	4/12/2013
160906	1F66F5DYXD0	2013 CS	CA	3920 F	4/8/2013	4/16/2013
160907	1F66F5DY7D0	2013 CS	CA	3610 F	4/22/2013	4/30/2013
160908	1F66F5DY0D0	2013 CS	CA	3313 F	4/23/2013	4/30/2013
160910	1F66F5DY3D0	2013 CS	CA	3911 F	5/2/2013	5/10/2013
160911	1F66F5DY3D0	2013 CS	CA	3920 F	4/5/2013	4/15/2013
160912	1F66F5DY9D0	2013 CS	CA	3610 F	4/9/2013	4/16/2013
160913	1F66F5DY5D0	2013 CS	CA	3920 F	4/11/2013	4/19/2013
160914	1F66F5DY1D0	2013 CS	CA	3920 F	4/10/2013	4/17/2013
160915	1F66F5DY5D0	2013 CS	CA	3920 F	5/2/2013	5/13/2013
160916	1F66F5DY4D0	2013 CS	CA	3911 F	4/2/2013	4/10/2013
160917	1F66F5DY1D0	2013 CS	CA	3920 F	4/12/2013	4/22/2013
160918	1F66F5DYXD0	2013 CS	CA	3911 F	5/1/2013	5/10/2013
160919	1F66F5DY3D0	2013 CS	CA	3940 F	4/19/2013	4/29/2013
160920	1F66F5DY9D0	2013 CS	CA	3920 F	5/2/2013	5/13/2013
160921	1F66F5DY5D0	2013 CS	CA	3920 F	4/25/2013	5/2/2013
160922	1F66F5DY5D0	2013 CS	CA	3920 F	4/30/2013	5/8/2013
160923	1F66F5DY7D0	2013 CS	CA	3953 F	4/29/2013	5/7/2013
160924	1F66F5DY8D0	2013 CS	CA	3920 F	4/1/2013	4/9/2013
160926	1F66F5DY9D0	2013 CS	CA	3953 F	4/26/2013	5/6/2013
160927	1F66F5DY0D0	2013 CS	CA	3610 F	4/24/2013	5/1/2013
160928	1F66F5DY9D0	2013 CS	CA	3810 F	4/30/2013	5/8/2013
160929	1F66F5DY7D0	2013 CS	CA	3920 F	4/26/2013	5/3/2013
160930	1F66F5DY8D0	2013 CS	CA	3856 F	4/15/2013	4/23/2013

160933	1F66F5DY3D0	2014 CS	CA	3953 F	5/24/2013	6/5/2013
160935	1F66F5DY8D0	2014 CS	CA	3610 F	7/29/2013	8/6/2013
160936	1F66F5DY0D0	2014 CS	CA	3424 F	9/5/2013	9/16/2013
160937	1F66F5DY3D0	2014 CS	CA	3911 F	5/30/2013	6/10/2013
160938	1F66F5DY1D0	2014 CS	CA	3911 F	6/7/2013	6/17/2013
160943	1F66F5DY2D0	2014 CS	CA	3953 F	6/18/2013	6/26/2013
160944	1F66F5DY7D0	2014 CS	CA	3610 F	6/19/2013	6/26/2013
160945	1F66F5DY2D0	2014 CS	CA	3953 F	5/8/2013	5/17/2013
160946	1F66F5DY7D0	2014 CS	CA	3424 F	5/15/2013	5/28/2013
160947	1F66F5DY3D0	2014 CS	CA	3911 F	6/11/2013	6/19/2013
160951	1F66F5DY5D0	2014 CS	CA	3953 F	5/23/2013	6/3/2013
160955	1F66F5DY4D0	2014 CS	CA	3953 F	6/19/2013	6/26/2013
160958	1F66F5DY7D0	2014 CS	CA	3956 F	7/17/2013	7/25/2013
160961	1F66F5DY9D0	2014 CS	CA	3953 F	6/20/2013	7/8/2013
160969	1F66F5DY5D0	2014 CS	CA	3911 F	6/7/2013	6/17/2013
160970	1F66F5DY0D0	2014 CS	CA	3610 F	6/3/2013	6/12/2013
160973	1F66F5DY7D0	2014 CS	CA	3911 F	6/6/2013	6/17/2013
160974	1F66F5DY1D0	2014 CS	CA	3953 F	5/10/2013	5/21/2013
160975	1F66F5DY6D0	2014 CS	CA	3956 F	5/7/2013	5/16/2013
160976	1F66F5DY4D0	2014 CS	CA	3940 F	5/6/2013	5/15/2013
160977	1F66F5DY0D0	2014 CS	CA	3911 F	6/19/2013	6/27/2013
160980	1F66F5DY4D0	2014 CS	CA	3610 F	7/16/2013	7/24/2013
160981	1F66F5DYXD0	2014 CS	CA	3911 F	6/20/2013	6/27/2013
160982	1F66F5DYXD0	2014 CS	CA	3920 F	7/31/2013	8/8/2013
160983	1F66F5DY5D0	2014 CS	CA	3920 F	7/31/2013	8/8/2013
160986	1F66F5DY2D0	2014 CS	CA	3610 F	7/17/2013	7/25/2013
160987	1F66F5DY6D0	2014 CS	CA	3610 F	7/26/2013	8/5/2013
160988	1F66F5DY7D0	2014 CS	CA	3610 F	8/1/2013	8/9/2013
160989	1F66F5DY9D0	2014 CS	CA	3920 F	6/12/2013	6/20/2013
160990	1F66F5DY7D0	2014 CS	CA	3920 F	7/10/2013	7/18/2013
160991	1F66F5DY5D0	2014 CS	CA	3911 F	6/4/2013	6/13/2013
160993	1F66F5DY1D0	2014 CS	CA	3424 F	7/25/2013	8/2/2013
160994	1F66F5DY6D0	2014 CS	CA	3610 F	7/22/2013	7/30/2013
160995	1F66F5DY0D0	2014 CS	CA	3920 F	8/1/2013	8/9/2013
160996	1F66F5DY8D0	2014 CS	CA	3920 F	7/30/2013	8/7/2013
160998	1F66F5DYXD0	2014 CS	CA	3920 F	7/31/2013	8/8/2013
160999	1F66F5DY2D0	2014 CS	CA	3920 F	8/9/2013	8/19/2013
161000	1F66F5DY4D0	2014 CS	CA	3920 F	8/22/2013	8/30/2013
161001	1F66F5DY1D0	2014 CS	CA	3920 F	6/21/2013	7/9/2013
161002	1F66F5DY0D0	2014 CS	CA	3920 F	6/14/2013	6/24/2013
161003	1F66F5DY1D0	2014 CS	CA	3920 F	7/18/2013	7/29/2013
161004	1F66F5DY8D0	2014 CS	CA	3920 F	7/12/2013	7/23/2013
161005	1F66F5DY1D0	2014 CS	CA	3920 F	7/30/2013	8/7/2013
161006	1F66F5DY5D0	2014 CS	CA	3911 F	6/27/2013	7/15/2013
161007	1F66F5DY9D0	2014 CS	CA	3920 F	7/19/2013	7/29/2013
161008	1F66F5DY0D0	2014 CS	CA	3920 F	7/24/2013	8/1/2013
161009	1F66F5DY0D0	2014 CS	CA	3610 F	8/29/2013	9/10/2013
161010	1F66F5DY2D0	2014 CS	CA	3610 F	6/24/2013	7/10/2013
161011	1F66F5DY1D0	2014 CS	CA	3911 F	7/12/2013	7/22/2013
161012	1F66F5DY3D0	2014 CS	CA	3920 F	7/29/2013	8/6/2013
161013	1F66F5DY6D0	2014 CS	CA	3911 F	8/20/2013	8/28/2013
161014	1F66F5DY8D0	2014 CS	CA	3920 F	7/26/2013	8/5/2013

161015	1F66F5DY4D0		2014 CS	CA	3610 F	8/21/2013	8/30/2013
161016	1F66F5DY1D0		2014 CS	CA	3953 F	8/29/2013	9/9/2013
161017	1F66F5DY0D0		2014 CS	CA	3920 F	8/27/2013	9/5/2013
161018	1F66F5DY9D0		2014 CS	CA	3920 F	7/23/2013	7/31/2013
161019	1F66F5DY8E0		2014 CS	CA	3610 F	9/6/2013	9/16/2013
161020	1F66F5DY4D0		2014 CS	CA	3920 F	8/28/2013	9/6/2013
161021	1F66F5DY7D0		2014 CS	CA	3920 F	7/8/2013	7/16/2013
161022	1F66F5DYXD0		2014 CS	CA	3920 F	7/26/2013	8/5/2013
161023	1F66F5DY2D0		2014 CS	CA	3610 F	9/4/2013	9/12/2013
161024	1F66F5DY9D0		2014 CS	CA	3940 F	8/19/2013	8/28/2013
161025	1F66F5DY4D0		2014 CS	CA	3610 F	9/3/2013	9/11/2013
161030	1F66F5DY5E0		2014 CS	CA	3920 F	10/30/2013	11/7/2013
161031	1F66F5DY7E0		2014 CS	CA	3610 F	10/8/2013	10/16/2013
161032	1F66F5DY7E0		2014 CS	CA	3920 F	9/18/2013	9/27/2013
161033	1F66F5DY4E0		2014 CS	CA	3920 F	9/24/2013	10/3/2013
161034	1F66F5DY6E0		2014 CS	CA	3920 F	9/19/2013	9/30/2013
161035	1F66F5DY9E0		2014 CS	CA	3920 F	10/29/2013	11/6/2013
161036	1F66F5DYXD0		2014 CS	CA	3920 F	9/9/2013	9/18/2013
161037	1F66F5DY0D0		2014 CS	CA	3940 F	8/26/2013	9/4/2013
161040	1F66F5DY2E0		2014 CS	CA	3610 F	9/17/2013	9/26/2013
161042	1F66F5DY9E0		2014 CS	CA	3956 F	9/19/2013	9/27/2013
161043	1F66F5DY5E0		2014 CS	CA	3911 F	9/16/2013	9/24/2013
161044	1F66F5DY4E0		2014 CS	CA	3610 F	10/1/2013	10/9/2013
161045	1F66F5DY7E0		2014 CS	CA	3920 F	9/25/2013	10/3/2013
161046	1F66F5DY9D0		2014 CS	CA	3424 F	10/8/2013	10/17/2013
161047	1F66F5DY9D0		2014 CS	CA	3911 F	8/2/2013	8/12/2013
161048	1F66F5DY9D0		2014 CS	CA	3940 F	8/5/2013	8/13/2013
161049	1F66F5DY7E0		2014 CS	CA	3940 F	11/7/2013	11/15/2013
161050	1F66F5DY2D0		2014 CS	CA	3920 F	8/23/2013	9/4/2013
161051	1F66F5DY0E0		2014 CS	CA	3956 F	9/13/2013	9/23/2013
161054	1F66F5DY0E0		2014 CS	CA	3610 F	12/4/2013	12/12/2013
161056	1F66F5DY6D0		2014 CS	CA	3920 F	8/21/2013	8/29/2013
161057	1F66F5DY3E0		2014 CS	CA	3956 F	9/20/2013	10/1/2013
161058	1F66F5DY5E0		2014 CS	CA	3650 F	9/30/2013	10/8/2013
161059	1F66F5DY9E0		2014 CS	CA	3920 F	9/26/2013	10/7/2013
161060	1F66F5DY3D0		2014 CS	CA	3911 F	9/27/2013	10/7/2013
161061	1F66F5DY2D0		2014 CS	CA	3920 F	8/22/2013	9/3/2013
161062	1F66F5DY0D0		2014 CS	CA	3920 F	9/4/2013	9/12/2013
161063	1F66F5DY4D0		2014 CS	CA	3424 F	10/8/2013	10/17/2013
161064	1F66F5DY9E0		2014 CS	CA	3920 F	9/12/2013	9/20/2013
161065	1F66F5DY1E0		2014 CS	CA	3921 F	10/14/2013	10/23/2013
161066	1F66F5DY0E0		2014 CS	CA	3911 F	10/1/2013	10/10/2013
161067	1F66F5DYXE0		2014 CS	CA	3921 F	2/3/2014	2/12/2014
161068	1F66F5DY2E0		2014 CS	CA	3921 F	9/23/2013	10/2/2013
161069	1F66F5DY2E0		2014 CS	CA	3921 F	11/7/2013	11/18/2013
161070	1F66F5DY7E0		2014 CS	CA	3911 F	10/9/2013	10/18/2013
161071	1F66F5DY4E0		2014 CS	CA	3921 F	9/18/2013	9/26/2013
161073	1F66F5DY8E0		2014 CS	CA	3921 F	10/10/2013	10/21/2013
161074	1F66F5DY0E0		2014 CS	CA	3921 F	9/10/2013	9/18/2013
161075	1F66F5DY4E0		2014 CS	CA	3921 F	10/10/2013	10/21/2013
161076	1F66F5DY8E0		2014 CS	CA	3921 F	10/15/2013	10/24/2013
161077	1F66F5DY2E0		2014 CS	CA	3953 F	9/16/2013	9/25/2013

161078	1F66F5DY2E0		2014 CS	CA	3650 F	10/16/2013	10/25/2013
161079	1F66F5DY6D0		2014 CS	CA	3911 F	9/5/2013	9/13/2013
161080	1F66F5DY8E0		2014 CS	CA	3911 F	10/24/2013	11/1/2013
161081	1F66F5DY2E0		2014 CS	CA	3921 F	10/4/2013	10/14/2013
161083	1F66F5DY9E0		2014 CS	CA	3610 F	10/16/2013	10/25/2013
161085	1F66F5DY7D0		2014 CS	CA	3424 F	11/15/2013	11/25/2013
161088	1F66F5DY5E0		2014 CS	CA	3920 F	10/24/2013	11/4/2013
161089	1F66F5DY4E0		2014 CS	CA	3920 F	10/17/2013	10/28/2013
161090	1F66F5DY0E0		2014 CS	CA	3953 F	10/29/2013	11/6/2013
161091	1F66F5DY5D0		2014 CS	CA	3424 F	10/28/2013	11/6/2013
161092	1F66F5DY9E0		2014 CS	CA	3610 F	10/17/2013	10/28/2013
161094	1F66F5DY0D0		2014 CS	CA	3424 F	10/31/2013	11/8/2013
161095	1F66F5DY1E0		2014 CS	CA	3610 F	11/26/2013	12/6/2013
161096	1F66F5DY4E0		2014 CS	CA	3920 F	10/31/2013	11/11/2013
161098	1F66F5DY7E0		2014 CS	CA	3911 F	11/1/2013	11/11/2013
161099	1F66F5DY6E0		2014 CS	CA	3650 F	10/25/2013	11/5/2013
161100	1F66F5DY5E0		2014 CS	CA	3610 F	10/11/2013	10/22/2013
161101	1F66F5DY5E0		2014 CS	CA	3650 F	11/4/2013	11/13/2013
161102	1F66F5DY2E0		2014 CS	CA	3921 F	11/4/2013	11/12/2013
161103	1F66F5DY9E0		2014 CS	CA	3921 F	11/1/2013	11/11/2013
161104	1F66F5DY0E0		2014 CS	CA	3953 F	11/4/2013	11/12/2013
161105	1F66F5DY5E0		2014 CS	CA	3650 F	11/6/2013	11/14/2013
161106	1F66F5DY8E0		2014 CS	CA	3911 F	12/16/2013	1/10/2014
161107	1F66F5DY7E0		2014 CS	CA	3920 F	10/28/2013	11/5/2013
161108	1F66F5DY7E0		2014 CS	CA	3921 F	11/5/2013	11/13/2013
161109	1F66F5DY2E0		2014 CS	CA	3953 F	12/10/2013	12/19/2013
161110	1F66F5DY6E0		2014 CS	CA	3953 F	10/4/2013	10/15/2013
161111	1F66F5DY9E0		2014 CS	CA	3920 F	1/13/2014	1/21/2014
161112	1F66F5DY9E0		2014 CS	CA	3911 F	11/6/2013	11/14/2013
161113	1F66F5DY9E0		2014 CS	CA	3911 F	11/18/2013	11/26/2013
161114	1F66F5DY3E0		2014 CS	CA	3610 F	11/19/2013	11/27/2013
161115	1F66F5DY4E0		2014 CS	CA	3911 F	10/22/2013	10/31/2013
161116	1F66F5DY6E0		2014 CS	CA	3956 F	10/23/2013	10/31/2013
161117	1F66F5DY2E0		2014 CS	CA	3956 F	11/8/2013	11/18/2013
161118	1F66F5DY2E0		2014 CS	CA	3956 F	11/11/2013	11/20/2013
161119	1F66F5DY9E0		2014 CS	CA	3920 F	11/22/2013	12/4/2013
161120	1F66F5DY4E0		2014 CS	CA	3920 F	11/12/2013	11/21/2013
161121	1F66F5DY4E0		2014 CS	CA	3610 F	11/13/2013	11/21/2013
161122	1F66F5DY0E0		2014 CS	CA	3940 F	11/20/2013	12/2/2013
161123	1F66F5DY0E0		2014 CS	CA	3921 F	11/7/2013	11/15/2013
161124	1F66F5DY2E0		2014 CS	CA	3921 F	12/5/2013	12/16/2013
161125	1F66F5DY0E0		2014 CS	CA	3630 F	10/18/2013	10/29/2013
161128	1F66F5DY0E0		2014 CS	CA	3940 F	11/25/2013	12/5/2013
161129	1F66F5DY1E0		2014 CS	CA	3610 F	11/15/2013	11/25/2013
161130	1F66F5DY3E0		2014 CS	CA	3610 F	11/26/2013	12/6/2013
161131	1F66F5DY3E0		2014 CS	CA	3940 F	12/17/2013	1/14/2014
161132	1F66F5DY7E0		2014 CS	CA	3610 F	12/19/2013	1/15/2014
161133	1F66F5DY7E0		2014 CS	CA	3911 F	12/18/2013	1/14/2014
161134	1F66F5DY0E0		2014 CS	CA	3921 F	1/14/2014	1/22/2014
161135	1F66F5DY2E0		2014 CS	CA	3610 F	2/20/2014	2/28/2014
161136	1F66F5DY5E0		2014 CS	CA	3610 F	1/27/2014	2/5/2014
161137	1F66F5DY5D0		2014 CS	CA	3424 F	1/9/2014	1/17/2014

161138	1F66F5DY5E0	2014 CS	CA	3953 F	1/13/2014	1/21/2014
161139	1F66F5DY6E0	2014 CS	CA	3921 F	12/10/2013	12/18/2013
161140	1F66F5DY7E0	2014 CS	CA	3650 F	1/15/2014	1/23/2014
161141	1F66F5DY4E0	2014 CS	CA	3650 F	12/6/2013	12/16/2013
161142	1F66F5DY2E0	2014 CS	CA	3921 F	1/16/2014	1/24/2014
161143	1F66F5DY0E0	2014 CS	CA	3921 F	1/17/2014	1/27/2014
161144	1F66F5DY2E0	2014 CS	CA	3610 F	1/22/2014	1/31/2014
161146	1F66F5DY6E0	2014 CS	CA	3920 F	1/23/2014	2/3/2014
161147	1F66F5DY1E0	2014 CS	CA	3920 F	12/16/2013	1/10/2014
161148	1F66F5DY4E0	2014 CS	CA	3650 F	1/21/2014	1/30/2014
161149	1F66F5DY9E0	2014 CS	CA	3920 F	4/9/2014	4/22/2014
161150	1F66F5DY0E0	2014 CS	CA	3921 F	4/30/2014	5/9/2014
161151	1F66F5DY9E0	2014 CS	CA	3920 F	12/18/2013	1/15/2014
161152	1F66F5DY7E0	2014 CS	CA	3610 F	1/30/2014	2/10/2014
161153	1F66F5DYXE0	2014 CS	CA	3920 F	2/21/2014	3/4/2014
161154	1F66F5DY1E0	2014 CS	CA	3920 F	2/24/2014	3/4/2014
161155	1F66F5DY3D0	2014 CS	CA	3424 F	1/10/2014	1/20/2014
161156	1F66F5DY2E0	2014 CS	CA	3610 F	2/25/2014	3/6/2014
161157	1F66F5DY7E0	2014 CS	CA	3911 F	2/5/2014	2/13/2014
161158	1F66F5DY8E0	2014 CS	CA	3920 F	1/30/2014	2/7/2014
161159	1F66F5DY6E0	2014 CS	CA	3911 F	12/13/2013	1/9/2014
161160	1F66F5DY4E0	2014 CS	CA	3610 F	1/23/2014	2/4/2014
161161	1F66F5DY6E0	2014 CS	CA	3650 F	1/29/2014	2/6/2014
161162	1F66F5DY2E0	2014 CS	CA	3650 F	2/25/2014	3/5/2014
161164	1F66F5DY4E0	2014 CS	CA	3953 F	12/4/2013	12/13/2013
161165	1F66F5DY0E0	2014 CS	CA	3921 F	4/9/2014	4/17/2014
161166	1F66F5DY7E0	2014 CS	CA	3911 F	11/26/2013	12/9/2013
161171	1F66F5DY9E0	2014 CS	CA	3630 F	2/12/2014	2/20/2014
161172	1F66F5DY6E0	2014 CS	CA	3920 F	2/11/2014	2/19/2014
161173	1F66F5DY4E0	2014 CS	CA	3956 F	1/20/2014	1/29/2014
161174	1F66F5DY9E0	2014 CS	CA	3956 F	1/24/2014	2/5/2014
161175	1F66F5DY5E0	2014 CS	CA	3956 F	12/18/2013	1/14/2014
161176	1F66F5DYXE0	2014 CS	CA	3956 F	2/12/2014	2/21/2014
161177	1F66F5DY3E0	2014 CS	CA	3610 F	2/3/2014	2/11/2014
161178	1F66F5DY8E0	2014 CS	CA	3424 F	1/24/2014	2/5/2014
161179	1F66F5DY9E0	2014 CS	CA	3920 F	2/7/2014	2/17/2014
161180	1F66F5DYXE0	2014 CS	CA	3610 F	4/14/2014	4/24/2014
161181	1F66F5DY5E0	2014 CS	CA	3956 F	2/3/2014	2/11/2014
161182	1F66F5DY3E0	2014 CS	CA	3920 F	2/19/2014	2/27/2014
161183	1F66F5DY4E0	2014 CS	CA	3956 F	2/27/2014	3/10/2014
161185	1F66F5DY0E0	2014 CS	CA	3610 F	2/18/2014	2/27/2014
161187	1F66F5DY5E0	2014 CS	CA	3921 F	3/7/2014	3/19/2014
161188	1F66F5DY1E0	2014 CS	CA	3920 F	3/10/2014	3/19/2014
161189	1F66F5DY3E0	2014 CS	CA	3920 F	3/14/2014	3/24/2014
161190	1F66F5DY4E0	2014 CS	CA	3610 F	3/7/2014	3/18/2014
161191	1F66F5DY0E0	2014 CS	CA	3920 F	2/28/2014	3/10/2014
161192	1F66F5DY6E0	2014 CS	CA	3610 F	1/13/2014	1/21/2014
161193	1F66F5DY5E0	2014 CS	CA	3920 F	1/8/2014	1/16/2014
161194	1F66F5DY5E0	2014 CS	CA	3424 F	2/14/2014	2/24/2014
161195	1F66F5DY6E0	2014 CS	CA	3610 F	3/3/2014	3/11/2014
161196	1F66F5DY9E0	2014 CS	CA	3920 F	3/3/2014	3/11/2014
161197	1F66F5DY5E0	2014 CS	CA	3920 F	2/20/2014	3/3/2014

161198	1F66F5DY7E0	2014 CS	CA	3956 F	3/11/2014	3/20/2014
161199	1F66F5DY4E0	2014 CS	CA	3920 F	2/14/2014	2/24/2014
161200	1F66F5DY6E0	2014 CS	CA	3610 F	3/13/2014	3/24/2014
161201	1F66F5DY2E0	2014 CS	CA	3650 F	2/13/2014	2/21/2014
161202	1F66F5DY1E0	2014 CS	CA	3921 F	3/6/2014	3/17/2014
161203	1F66F5DY0E0	2014 CS	CA	3953 F	2/27/2014	3/7/2014
161204	1F66F5DY0E0	2014 CS	CA	3921 F	2/4/2014	2/12/2014
161205	1F66F5DY7E0	2014 CS	CA	3920 F	2/21/2014	3/3/2014
161207	1F66F5DY9E0	2014 CS	CA	3921 F	2/24/2014	3/4/2014
161208	1F66F5DY6E0	2014 CS	CA	3956 F	2/14/2014	2/25/2014
161209	1F66F5DY4E0	2014 CS	CA	3610 F	3/3/2014	3/13/2014
161210	1F66F5DY8E0	2014 CS	CA	3921 F	2/17/2014	2/25/2014
161211	1F66F5DY9E0	2014 CS	CA	3921 F	2/26/2014	3/6/2014
161213	1F66F5DY6E0	2014 CS	CA	3610 F	3/4/2014	3/14/2014
161214	1F66F5DYXE0	2014 CS	CA	3953 F	3/5/2014	3/14/2014
161215	1F66F5DY9E0	2014 CS	CA	3911 F	3/20/2014	3/28/2014
161216	1F66F5DY8E0	2014 CS	CA	3956 F	3/25/2014	4/2/2014
161217	1F66F5DY6E0	2014 CS	CA	3610 F	3/26/2014	4/4/2014
161218	1F66F5DY8E0	2014 CS	CA	3956 F	3/6/2014	3/17/2014
161219	1F66F5DY9E0	2014 CS	CA	3610 F	2/6/2014	2/17/2014
161220	1F66F5DY8E0	2015 CS	CA	3914 F	2/18/2014	2/26/2014
161221	1F66F5DY3E0	2014 CS	CA	3424 F	2/11/2014	2/20/2014
161222	1F66F5DY4E0	2014 CS	CA	3921 F	3/26/2014	4/3/2014
161223	1F66F5DY2E0	2014 CS	CA	3921 F	3/17/2014	3/25/2014
161224	1F66F5DY8E0	2014 CS	CA	3920 F	3/27/2014	4/7/2014
161225	1F66F5DY3E0	2014 CS	CA	3921 F	3/31/2014	4/8/2014
161226	1F66F5DY4E0	2014 CS	CA	3956 F	3/21/2014	3/31/2014
161227	1F66F5DY0E0	2014 CS	CA	3921 F	3/18/2014	3/26/2014
161228	1F66F5DY1E0	2014 CS	CA	3911 F	4/1/2014	4/9/2014
161229	1F66F5DY5E0	2014 CS	CA	3921 F	4/3/2014	4/11/2014
161230	1F66F5DY4E0	2014 CS	CA	3424 F	3/28/2014	4/7/2014
161232	1F66F5DY8E0	2014 CS	CA	3610 F	4/1/2014	4/10/2014
161233	1F66F5DYXE0	2014 CS	CA	3424 F	3/27/2014	4/4/2014
161234	1F66F5DY6E0	2014 CS	CA	3921 F	3/27/2014	4/4/2014
161235	1F66F5DY0E0	2014 CS	CA	3920 F	3/24/2014	4/1/2014
161236	1F66F5DYXE0	2014 CS	CA	3610 F	4/2/2014	4/10/2014
161237	1F66F5DY8E0	2014 CS	CA	3424 F	4/4/2014	4/14/2014
161238	1F66F5DY6E0	2014 CS	CA	3610 F	4/9/2014	4/17/2014
161239	1F66F5DYXE0	2015 CS	CA	3913 F	3/24/2014	4/1/2014
161240	1F66F5DY1E0	2014 CS	CA	3610 F	4/23/2014	5/2/2014
161241	1F66F5DY3E0	2014 CS	CA	3921 F	4/23/2014	5/1/2014
161242	1F66F5DYXE0	2014 CS	CA	3610 F	4/3/2014	4/14/2014
161243	1F66F5DYXE0	2014 CS	CA	3910 F	3/7/2014	3/18/2014
161244	1F66F5DY2E0	2014 CS	CA	3921 F	4/11/2014	4/23/2014
161245	1F66F5DY5E0	2014 CS	CA	3610 F	4/4/2014	4/14/2014
161247	1F66F5DY8E0	2014 CS	CA	3610 F	4/10/2014	4/22/2014
161248	1F66F5DY1E0	2014 CS	CA	3650 F	4/16/2014	4/29/2014
161250	1F66F5DY0E0	2014 CS	CA	3920 F	4/10/2014	4/22/2014
161251	1F66F5DY8E0	2014 CS	CA	3921 F	4/7/2014	4/16/2014
161252	1F66F5DY7E0	2014 CS	CA	3920 F	4/8/2014	4/16/2014
161253	1F66F5DY7E0	2014 CS	CA	3650 F	4/24/2014	5/2/2014
161254	1F66F5DY3E0	2014 CS	CA	3911 F	4/16/2014	4/28/2014

161255	1F66F5DY3E0	2014 CS	CA	3921 F	4/25/2014	5/6/2014
161256	1F66F5DY9E0	2014 CS	CA	3910 F	4/8/2014	4/16/2014
161257	1F66F5DYXE0	2014 CS	CA	3610 F	4/17/2014	4/29/2014
161258	1F66F5DYXE0	2014 CS	CA	3953 F	4/11/2014	4/23/2014
161259	1F66F5DY5E0	2014 CS	CA	3921 F	4/24/2014	5/5/2014
161260	1F66F5DY7E0	2014 CS	CA	3921 F	4/22/2014	4/30/2014
161261	1F66F5DY9E0	2014 CS	CA	3953 F	4/17/2014	4/30/2014
161262	1F66F5DY7E0	2014 CS	CA	3953 F	4/22/2014	5/1/2014
161263	1F66F5DY5E0	2014 CS	CA	3921 F	4/29/2014	5/8/2014
161264	1F66F5DY7E0	2014 CS	CA	3953 F	5/1/2014	5/9/2014
161265	1F66F5DY9E0	2014 CS	CA	3953 F	4/30/2014	5/8/2014
161266	1F66F5DY2E0	2014 CS	CA	3920 F	5/2/2014	5/12/2014
161267	1F66F5DY4E0	2014 CS	CA	3920 F	5/6/2014	5/14/2014
161268	1F66F5DY9E0	2014 CS	CA	3911 F	4/28/2014	5/6/2014
161269	1F66F5DY8E0	2014 CS	CA	3921 F	5/5/2014	5/13/2014
161270	1F66F5DY6E0	2014 CS	CA	3921 F	5/7/2014	5/19/2014
161271	1F66F5DY0E0	2014 CS	CA	3953 F	5/6/2014	5/15/2014
161272	1F66F5DY0E0	2014 CS	CA	3920 F	5/8/2014	5/20/2014
161273	1F66F5DY6E0	2014 CS	CA	3953 F	5/9/2014	5/20/2014
161274	1F66F5DY2E0	2014 CS	CA	3911 F	5/9/2014	5/20/2014
161275	1F66F5DY4E0	2014 CS	CA	3920 F	5/12/2014	5/22/2014
161276	1F66F5DY8E0	2015 CS	CA	3913 F	5/12/2014	5/21/2014
161277	1F66F5DYXE0	2015 CS	CA	3914 F	5/14/2014	5/27/2014
161278	1F66F5DY1E0	2014 CS	CA	3953 F	5/19/2014	6/3/2014
161279	1F66F5DY2E0	2015 CS	CA	3953 F	5/20/2014	6/3/2014
161280	1F66F5DY5E0	2015 CS	CA	3920 F	5/20/2014	6/4/2014
161281	1F66F5DY3E0	2014 CS	CA	3610 F	5/19/2014	6/2/2014
161282	1F66F5DY3E0	2015 CS	CA	3914 F	5/21/2014	6/4/2014
161283	1F66F5DY5E0	2014 CS	CA	3610 F	6/3/2014	6/16/2014
161284	1F66F5DY1E0	2015 CS	CA	3911 F	6/5/2014	6/18/2014
161285	1F66F5DY3E0	2015 CS	CA	3921 F	6/9/2014	6/19/2014
161286	1F66F5DY4E0	2015 CS	CA	3921 F	6/2/2014	6/11/2014
161287	1F66F5DY3E0	2015 CS	CA	3610 F	5/28/2014	6/10/2014
161288	1F66F5DY6E0	2014 CS	CA	3911 F	6/5/2014	6/17/2014
161289	1F66F5DYXE0	2015 CS	CA	3953 F	6/17/2014	6/25/2014
161290	1F66F5DY9E0	2015 CS	CA	3919 F	8/28/2014	9/8/2014
161291	1F66F5DY4E0	2015 CS	CA	3424 F	6/13/2014	6/24/2014
161292	1F66F5DY6E0	2015 CS	CA	3610 F	6/12/2014	6/20/2014
161293	1F66F5DYXF0	2015 CS	CA	3913 F	11/12/2014	11/20/2014
161294	1F66F5DY5E0	2015 CS	CA	3921 F	6/25/2014	7/11/2014
161295	1F66F5DY9E0	2015 CS	CA	3610 F	6/20/2014	7/8/2014
161296	1F66F5DY1E0	2015 CS	CA	3914 F	7/7/2014	7/15/2014
161297	1F66F5DY0E0	2015 CS	CA	3610 F	7/14/2014	7/22/2014
161298	1F66F5DY7E0	2015 CS	CA	3921 F	6/23/2014	7/9/2014
161299	1F66F5DY7E0	2015 CS	CA	3610 F	6/24/2014	7/10/2014
161300	1F66F5DYXE0	2015 CS	CA	3913 F	7/8/2014	7/16/2014
161301	1F66F5DY3E0	2015 CS	CA	3610 F	9/2/2014	9/10/2014
161302	1F66F5DY5E0	2015 CS	CA	3953 F	7/22/2014	7/30/2014
161303	1F66F5DY5E0	2015 CS	CA	3921 F	7/25/2014	8/4/2014
161304	1F66F5DY5E0	2015 CS	CA	3953 F	8/8/2014	8/19/2014
161305	1F66F5DY1E0	2015 CS	CA	3610 F	7/21/2014	7/29/2014
161306	1F66F5DY3E0	2015 CS	CA	3612 F	9/4/2014	9/15/2014

161307	1F66F5DYXEO	2015 CS	CA	3914 F	8/25/2014	9/4/2014
161308	1F66F5DY9EO	2015 CS	CA	3953 F	8/4/2014	8/13/2014
161309	1F66F5DY8EO	2015 CS	CA	3610 F	10/24/2014	11/3/2014
161310	1F66F5DY5EO	2015 CS	CA	3612 F	9/8/2014	9/16/2014
161312	1F66F5DY4EO	2015 CS	CA	3920 F	9/12/2014	9/22/2014
161313	1F66F5DYXEO	2015 CS	CA	3920 F	10/28/2014	11/5/2014
161314	1F66F5DY5EO	2015 CS	CA	3921 F	7/11/2014	7/21/2014
161315	1F66F5DY2EO	2015 CS	CA	3610 F	7/15/2014	7/23/2014
161316	1F66F5DY9EO	2015 CS	CA	3953 F	7/16/2014	7/25/2014
161317	1F66F5DY7EO	2015 CS	CA	3921 F	7/18/2014	7/28/2014
161320	1F66F5DY3EO	2015 CS	CA	3914 F	7/31/2014	8/11/2014
161321	1F66F5DY8EO	2015 CS	CA	3920 F	8/15/2014	8/26/2014
161322	1F66F5DY5EO	2015 CS	CA	3610 F	8/11/2014	8/20/2014
161324	1F66F5DY7EO	2015 CS	CA	3914 F	8/5/2014	8/14/2014
161325	1F66F5DY3EO	2015 CS	CA	3914 F	10/15/2014	10/23/2014
161326	1F66F5DY8EO	2015 CS	CA	3921 F	9/16/2014	9/24/2014
161327	1F66F5DY6EO	2015 CS	CA	3913 F	9/18/2014	9/26/2014
161328	1F66F5DY8EO	2015 CS	CA	3921 F	7/11/2014	7/22/2014
161329	1F66F5DY6EO	2015 CS	CA	3919 F	8/19/2014	8/28/2014
161330	1F66F5DY9EO	2015 CS	CA	3612 F	9/4/2014	9/12/2014
161331	1F66F5DY0EO	2015 CS	CA	3612 F	8/27/2014	9/8/2014
161332	1F66F5DY3EO	2015 CS	CA	3610 F	8/1/2014	8/11/2014
161333	1F66F5DY7EO	2015 CS	CA	3911 F	8/28/2014	9/9/2014
161334	1F66F5DY3EO	2015 CS	CA	3919 F	8/14/2014	8/25/2014
161335	1F66F5DY7EO	2015 CS	CA	3610 F	8/12/2014	8/21/2014
161336	1F66F5DY5EO	2015 CS	CA	3921 F	10/16/2014	10/27/2014
161337	1F66F5DY5EO	2015 CS	CA	3913 F	7/24/2014	8/1/2014
161338	1F66F5DY1EO	2015 CS	CA	3914 F	7/30/2014	8/7/2014
161339	1F66F5DY3EO	2015 CS	CA	3921 F	7/21/2014	7/30/2014
161340	1F66F5DY4FO	2015 CS	CA	3921 F	12/2/2014	12/10/2014
161341	1F66F5DY1EO	2015 CS	CA	3911 F	10/10/2014	10/21/2014
161343	1F66F5DY2EO	2015 CS	CA	3610 F	9/19/2014	9/29/2014
161344	1F66F5DY7EO	2015 CS	CA	3914 F	8/20/2014	8/29/2014
161346	1F66F5DY1EO	2015 CS	CA	3921 F	10/29/2014	11/6/2014
161347	1F66F5DY3FO	2015 CS	CA	3920 F	11/26/2014	12/8/2014
161348	1F66F5DYXEO	2015 CS	CA	3610 F	10/30/2014	11/7/2014
161349	1F66F5DY4EO	2015 CS	CA	3612 F	9/25/2014	10/3/2014
161350	1F66F5DY0EO	2015 CS	CA	3919 F	8/29/2014	9/9/2014
161351	1F66F5DY4EO	2015 CS	CA	3610 F	9/3/2014	9/11/2014
161352	1F66F5DY5EO	2015 CS	CA	3953 F	9/25/2014	10/6/2014
161353	1F66F5DY2EO	2015 CS	CA	3920 F	8/21/2014	9/2/2014
161354	1F66F5DY5EO	2015 CS	CA	3911 F	9/3/2014	9/11/2014
161355	1F66F5DY2FO	2015 CS	CA	3914 F	11/26/2014	12/9/2014
161356	1F66F5DY9EO	2015 CS	CA	3921 F	10/8/2014	10/17/2014
161357	1F66F5DY1EO	2015 CS	CA	3911 F	9/30/2014	10/9/2014
161358	1F66F5DY0EO	2015 CS	CA	3911 F	9/26/2014	10/6/2014
161359	1F66F5DY3EO	2015 CS	CA	3911 F	10/2/2014	10/10/2014
161360	1F66F5DY3EO	2015 CS	CA	3911 F	9/19/2014	9/30/2014
161361	1F66F5DY6EO	2015 CS	CA	3610 F	10/8/2014	10/16/2014
161362	1F66F5DY6FO	2015 CS	CA	3953 F	11/17/2014	11/25/2014
161363	1F66F5DY5EO	2015 CS	CA	3913 F	10/3/2014	10/14/2014
161364	1F66F5DY0EO	2015 CS	CA	3921 F	10/20/2014	10/28/2014

161365	1F66F5DY9F0	2015 CS	CA	3920 F	12/11/2014	1/7/2015
161366	1F66F5DYXEC	2015 CS	CA	3953 F	10/29/2014	11/6/2014
161367	1F66F5DY7EC	2015 CS	CA	3921 F	10/14/2014	10/22/2014
161368	1F66F5DY7EC	2015 CS	CA	3919 F	10/9/2014	10/17/2014
161369	1F66F5DY8F0	2015 CS	CA	3921 F	11/18/2014	12/1/2014
161370	1F66F5DY0EC	2015 CS	CA	3921 F	10/6/2014	10/14/2014
161371	1F66F5DY6F0	2015 CS	CA	3610 F	11/3/2014	11/13/2014
161372	1F66F5DY1F0	2015 CS	CA	3913 F	11/24/2014	12/5/2014
161373	1F66F5DY8EC	2015 CS	CA	3920 F	10/30/2014	11/10/2014
161374	1F66F5DYXEC	2015 CS	CA	3921 F	10/20/2014	10/29/2014
161375	1F66F5DY3EC	2015 CS	CA	3914 F	10/27/2014	11/4/2014
161376	1F66F5DY1F0	2015 CS	CA	3913 F	11/12/2014	11/21/2014
161379	1F66F5DY1EC	2015 CS	CA	3953 F	10/27/2014	11/4/2014
161380	1F66F5DY6F0	2015 CS	CA	3911 F	12/4/2014	12/12/2014
161383	1F66F5DY2F0	2015 CS	CA	3921 F	10/31/2014	11/11/2014
161385	1F66F5DY1EC	2015 CS	CA	3953 F	10/22/2014	10/31/2014
161387	1F66F5DY9EC	2015 CS	CA	3914 F	10/21/2014	10/30/2014
161388	1F66F5DY4F0	2015 CS	CA	3953 F	11/7/2014	11/17/2014
161391	1F66F5DY5F0	2015 CS	CA	3921 F	12/17/2014	1/14/2015
161404	1F66F5DYXF0	2015 CS	CA	3911 F	11/4/2014	11/12/2014
161405	1F66F5DY5F0	2015 CS	CA	3953 F	11/5/2014	11/13/2014
161406	1F66F5DY8F0	2015 CS	CA	3911 F	11/6/2014	11/14/2014
161408	1F66F5DY3F0	2015 CS	CA	3650 F	12/8/2014	12/16/2014
161409	1F66F5DY4F0	2015 CS	CA	3914 F	11/13/2014	11/24/2014
161415	1F66F5DY8F0	2015 CS	CA	3953 F	12/5/2014	12/16/2014
161519	1F66F5DY7F0	2015 CS	CA	3914 F	11/19/2014	12/1/2014
161520	1F66F5DY9F0	2015 CS	CA	3911 F	11/19/2014	12/2/2014
161521	1F66F5DY8F0	2015 CS	CA	3911 F	11/20/2014	12/2/2014
161522	1F66F5DYXF0	2015 CS	CA	3911 F	11/21/2014	12/3/2014
161524	1F66F5DY3F0	2015 CS	CA	3610 F	12/16/2014	1/13/2015
161530	1F66F5DYXF0	2015 CS	CA	3914 F	11/14/2014	11/25/2014
161533	1F66F5DY8F0	2015 CS	CA	3610 F	12/3/2014	12/11/2014
161535	1F66F5DY0F0	2015 CS	CA	3911 F	12/15/2014	1/9/2015
161538	1F66F5DY7F0	2015 CS	CA	3913 F	12/9/2014	12/17/2014
410481	4VZDN1A978C	2008 VT	DP	3332 S	6/6/2007	6/19/2007
410523	4VZDN1A968C	2008 VT	DP	3330 S	5/29/2007	6/12/2007
410524	4VZDN1A998C	2008 VT	DP	3332 S	6/12/2007	6/21/2007
410526	4VZBN1B918C	2008 VT	DP	3936 S	5/31/2007	6/12/2007
410527	4VZBN1B938C	2008 VT	DP	3942 S	6/6/2007	6/19/2007
410534	4VZBN1B9X8C	2008 VT	DP	3960 S	5/29/2007	6/7/2007
410537	4VZBN1B9X8C	2008 VT	DP	3936 S	6/7/2007	6/20/2007
410539	4VZDN1A998C	2008 VT	DP	3330 S	7/11/2007	7/19/2007
410540	4VZDN1A998C	2008 VT	DP	3933 S	6/20/2007	7/13/2007
410542	4VZDN1A978C	2008 VT	DP	3936 S	6/19/2007	7/12/2007
410543	4VZDN1A908C	2008 VT	DP	3933 S	6/20/2007	7/13/2007
410544	4VZDN1A958C	2008 VT	DP	3960 S	7/13/2007	7/24/2007
410545	4VZDN1A9X8C	2008 VT	DP	3940 S	7/17/2007	7/26/2007
410546	4VZDN1A958C	2008 VT	DP	3942 S	6/27/2007	7/18/2007
410548	4VZDN1A938C	2008 VT	DP	3933 S	7/12/2007	7/23/2007
410549	4VZDN1A938C	2008 VT	DP	3942 S	7/16/2007	7/26/2007
410550	4VZDN1A9X8C	2008 VT	DP	3933 S	7/18/2007	7/30/2007
410551	4VZDN1A918C	2008 VT	DP	3936 S	7/17/2007	7/30/2007

410552	4UZAB2DT8BC	2008 VT	DP	3330 S	7/18/2007	7/31/2007
410553	4VZDN1A928C	2008 VT	DP	3936 S	7/25/2007	8/6/2007
410554	4VZDN1A918C	2008 VT	DP	3933 S	7/19/2007	7/31/2007
410555	4VZDN1A948C	2008 VT	DP	3936 S	7/25/2007	8/7/2007
410556	4VZDN1A998C	2008 VT	DP	3933 S	8/1/2007	8/13/2007
410557	4VZDN1A908C	2008 VT	DP	3936 S	7/31/2007	8/9/2007
410558	4VZDN1A978C	2008 VT	DP	3933 S	7/26/2007	8/8/2007
410559	4VZDN1A958C	2008 VT	DP	3936 S	7/24/2007	8/2/2007
410560	4VZDN1A908C	2008 VT	DP	3933 S	8/1/2007	8/14/2007
410561	4VZDN1A988C	2008 VT	DP	3933 S	7/31/2007	8/9/2007
410562	4VZDN1A9X8C	2008 VT	DP	3936 S	8/15/2007	8/27/2007
410563	4VZDN1A908C	2008 VT	DP	3933 S	9/7/2007	9/18/2007
410564	4VZDN1A908C	2008 VT	DP	3330 S	8/8/2007	8/20/2007
410565	4VZDN1A968C	2008 VT	DP	3933 S	8/14/2007	8/23/2007
410566	4VZDN1A988C	2008 VT	DP	3933 S	8/15/2007	8/27/2007
410567	4VZDN1A948C	2008 VT	DP	3933 S	8/9/2007	8/21/2007
410568	4VZDN1A958C	2008 VT	DP	3960 S	8/23/2007	9/5/2007
410569	4VZDN1A9X8C	2008 VT	DP	3332 S	8/20/2007	8/29/2007
410570	4VZDN1A928C	2008 VT	DP	3330 S	8/30/2007	9/11/2007
410571	4VZDN1A928C	2008 VT	DP	3936 S	8/30/2007	9/11/2007
410572	4VZDN1A958C	2008 VT	DP	3332 S	9/4/2007	9/12/2007
410573	4VZDN1A978C	2008 VT	DP	3933 S	8/29/2007	9/10/2007
410574	4VZDN1A998C	2008 VT	DP	3960 S	8/28/2007	9/7/2007
410575	4VZDN1A998C	2008 VT	DP	3942 S	9/7/2007	9/18/2007
410576	4VZDN1A908C	2008 VT	DP	3942 S	9/11/2007	9/20/2007
410581	4VZDN1A928C	2008 VT	DP	3933 S	9/19/2007	10/1/2007
410582	4VZDN1A948C	2008 VT	DP	3942 S	9/18/2007	9/27/2007
410583	4VZDN1A968C	2008 VT	DP	3933 S	9/24/2007	10/3/2007
410584	4VZDN1A938C	2008 VT	DP	3933 S	9/25/2007	10/4/2007
410586	4VZDN1A938C	2008 VT	DP	3330 S	10/1/2007	10/10/2007
410587	4VZDN1A978C	2008 VT	DP	3933 S	10/4/2007	10/16/2007
410588	4VZDN1A958C	2008 VT	DP	3942 S	10/2/2007	10/11/2007
410589	4VZDN1A998C	2008 VT	DP	3933 S	10/10/2007	10/22/2007
410591	4VZDN1A988C	2008 VT	DP	3960 S	10/29/2007	11/7/2007
410592	4VZDN1A958C	2008 VT	DP	3933 S	10/11/2007	10/23/2007
410593	4VZDN1A998C	2008 VT	DP	3330 S	10/22/2007	10/31/2007
410594	4VZDN1A938C	2008 VT	DP	3960 S	10/29/2007	11/8/2007
410596	4VZDN1A998C	2008 VT	DP	3933 S	10/22/2007	10/31/2007
410597	4VZDN1A988C	2008 VT	DP	3332 S	10/30/2007	11/8/2007
410598	4VZDN1A9X8C	2008 VT	DP	3330 S	11/5/2007	11/14/2007
410599	4VZDN1A908C	2008 VT	DP	3933 S	10/23/2007	11/5/2007
410600	4VZDN1A918C	2008 VT	DP	3330 S	10/24/2007	11/5/2007
410601	4VZDN1A9X8C	2008 VT	DP	3330 S	10/30/2007	11/12/2007
410602	4VZDN1A998C	2008 VT	DP	3330 S	11/1/2007	11/13/2007
410605	4VZDN1A958C	2008 VT	DP	3942 S	11/6/2007	11/19/2007
410606	4VZDN1A969C	2009 VT	DP	3936 S	11/13/2007	11/28/2007
410607	4VZDN1A949C	2009 VT	DP	3432 S	11/13/2007	11/27/2007
410608	4VZDN1A978C	2008 VT	DP	3933 S	11/14/2007	11/27/2007
410611	4VZDN1A998C	2008 VT	DP	3332 S	11/28/2007	12/6/2007
410612	4VZDN1A988C	2008 VT	DP	3330 S	11/27/2007	12/5/2007
410613	4VZDN1A978C	2008 VT	DP	3332 S	11/19/2007	11/30/2007
410614	4VZDN1A908C	2008 VT	DP	3936 S	11/20/2007	12/3/2007

410615	4VZDN1A9780	2008 VT	DP	3960 S	11/21/2007	12/4/2007
410616	4VZDN1A9080	2008 VT	DP	3936 S	12/6/2007	12/18/2007
410617	4VZDN1A9980	2008 VT	DP	3936 S	12/3/2007	12/12/2007
410618	4VZDN1A9780	2008 VT	DP	3960 S	12/13/2007	1/10/2008
410619	4VZDN1A9X80	2008 VT	DP	3936 S	12/19/2007	1/16/2008
410620	4VZDN1A9180	2008 VT	DP	3933 S	1/8/2008	1/17/2008
410621	4VZDN1A9080	2008 VT	DP	3330 S	12/6/2007	12/19/2007
410623	4VZDN1A9080	2008 VT	DP	3933 S	12/17/2007	1/14/2008
410624	4VZDN1A9080	2008 VT	DP	3933 S	1/10/2008	1/22/2008
410625	4VZDN1A9280	2008 VT	DP	3332 S	1/15/2008	1/28/2008
410626	4VZDN1A9980	2008 VT	DP	3330 S	1/16/2008	1/29/2008
410627	4VZDN1A9280	2008 VT	DP	3933 S	1/22/2008	2/12/2008
410628	4VZDN1A9380	2008 VT	DP	3933 S	12/17/2007	1/15/2008
410629	4VZDN1A9580	2008 VT	DP	3936 S	12/18/2007	1/15/2008
410630	4VZDN1A9280	2008 VT	DP	3942 S	1/17/2008	1/30/2008
410631	4VZDN1A9280	2008 VT	DP	3933 S	1/30/2008	2/20/2008
410632	4VZDN1A9280	2008 VT	DP	3330 S	2/11/2008	2/25/2008
410636	4VZDN1A9480	2008 VT	DP	3945 S	1/22/2008	2/13/2008
410637	4VZDN1A9480	2008 VT	DP	3933 S	1/23/2008	2/14/2008
410638	4VZDN1A9680	2008 VT	DP	3933 S	1/28/2008	2/14/2008
410640	4VZDN1A9480	2008 VT	DP	3933 S	1/29/2008	2/19/2008
410641	4VZDN1A9980	2008 VT	DP	3332 S	2/13/2008	2/27/2008
410642	4VZDN1A9480	2008 VT	DP	3332 S	2/13/2008	3/3/2008
410643	4VZDN1A9580	2008 VT	DP	3330 S	2/14/2008	3/4/2008
410644	4VZDN1A9680	2008 VT	DP	3933 S	2/18/2008	3/4/2008
410645	4VZDN1A9880	2008 VT	DP	3936 S	2/14/2008	3/4/2008
410646	4VZDN1A9X80	2008 VT	DP	3933 S	2/20/2008	3/11/2008
410647	4VZDN1A9080	2008 VT	DP	3933 S	3/3/2008	3/18/2008
410649	4VZDN1A9280	2008 VT	DP	3942 S	3/5/2008	3/31/2008
410650	4VZDN1A9080	2008 VT	DP	3332 S	3/19/2008	4/10/2008
410652	4VZDN1A9190	2009 VT	DP	3933 S	4/17/2008	4/30/2008
410653	4VZDN1A9890	2009 VT	DP	3432 S	4/8/2008	4/21/2008
410654	4VZDN1A9290	2009 VT	DP	3933 S	4/9/2008	4/22/2008
410655	4VZDN1A9090	2009 VT	DP	3933 S	4/10/2008	4/22/2008
410656	4VZDN1A9490	2009 VT	DP	3933 S	4/21/2008	4/30/2008
410657	4VZDN1A9590	2009 VT	DP	3933 S	5/2/2008	5/13/2008
410658	4VZDN1A9190	2009 VT	DP	3432 S	4/16/2008	4/29/2008
410659	4VZDN1A9490	2009 VT	DP	3933 S	5/7/2008	5/20/2008
410660	4VZDN1A9490	2009 VT	DP	3936 S	4/2/2008	4/16/2008
410661	4VZDN1A9790	2009 VT	DP	3960 S	5/5/2008	5/14/2008
410665	4VZDN1A9790	2009 VT	DP	3942 S	5/22/2008	6/10/2008
410666	4VZDN1A9490	2009 VT	DP	3961 S	5/14/2008	5/28/2008
410667	4VZDN1A9990	2009 VT	DP	3936 S	5/22/2008	6/10/2008
410669	4VZDN1A9990	2009 VT	DP	3942 S	4/8/2008	4/17/2008
410671	4VZDN1A9690	2009 VT	DP	3961 S	4/21/2008	5/2/2008
410672	4VZDN1A9190	2009 VT	DP	3942 S	4/24/2008	5/7/2008
410673	4VZDN1A9290	2009 VT	DP	3961 S	4/2/2008	4/16/2008
410674	4VZDN1A9090	2009 VT	DP	3961 S	4/16/2008	4/28/2008
410675	4VZDN1A9390	2009 VT	DP	3430 S	4/28/2008	5/8/2008
410676	4VZDN1A9990	2009 VT	DP	3933 S	4/14/2008	4/24/2008
410677	4VZDN1A9990	2009 VT	DP	3961 S	4/30/2008	5/12/2008
410678	4VZDN1A9X90	2009 VT	DP	3961 S	4/22/2008	5/5/2008

410679	4VZDN1A909C	2009 VT	DP	3936 S	5/6/2008	5/15/2008
410680	4VZDN1A959C	2009 VT	DP	3961 S	4/22/2008	5/5/2008
410681	4VZDN1A999C	2009 VT	DP	3961 S	4/7/2008	4/17/2008
410682	4VZDN1A919C	2009 VT	DP	3432 S	4/23/2008	5/6/2008
410684	4VZDN1A939C	2009 VT	DP	3961 S	4/29/2008	5/12/2008
410685	4VZDN1A959C	2009 VT	DP	3936 S	5/20/2008	6/9/2008
410687	4VZDN1A999C	2009 VT	DP	3961 S	6/10/2008	7/16/2008
410688	4VZDN1A929C	2009 VT	DP	3961 S	5/13/2008	5/27/2008
410689	4VZDN1A939C	2009 VT	DP	3961 S	5/20/2008	5/30/2008
410690	4VZDN1A949C	2009 VT	DP	3961 S	5/13/2008	5/27/2008
410691	4VZDN1A929C	2009 VT	DP	3942 S	5/19/2008	5/29/2008
410692	4VZDN1A989C	2009 VT	DP	3933 S	5/15/2008	5/28/2008
410693	4VZDN1A909C	2009 VT	DP	3933 S	4/30/2008	5/13/2008
410694	4VZDN1A979C	2009 VT	DP	3961 S	4/14/2008	4/23/2008
410695	4VZDN1A969C	2009 VT	DP	3936 S	5/14/2008	5/27/2008
410697	4VZDN1A909C	2009 VT	DP	3933 S	5/14/2008	5/28/2008
410698	4VZDN1A929C	2009 VT	DP	3942 S	5/7/2008	5/19/2008
410699	4VZDN1A969C	2009 VT	DP	3933 S	5/8/2008	5/20/2008
410701	4VZDN1A989C	2009 VT	DP	3942 S	5/8/2008	5/21/2008
410702	4VZDN1A929C	2009 VT	DP	3933 S	5/27/2008	6/11/2008
410703	4VZDN1A959C	2009 VT	DP	3432 S	5/28/2008	6/16/2008
410704	4VZDN1A969C	2009 VT	DP	3961 S	5/29/2008	6/17/2008
410705	4VZDN1A989C	2009 VT	DP	3933 S	5/30/2008	6/18/2008
410706	4VZDN1A949C	2009 VT	DP	3960 S	6/9/2008	6/19/2008
410707	4VZDN1A979C	2009 VT	DP	3936 S	6/11/2008	7/17/2008
410708	4VZDN1A919C	2009 VT	DP	3936 S	6/16/2008	7/23/2008
410710	4VZBT1B9X9C	2009 VT	DP	4333 S	7/21/2008	8/11/2008
410712	4VZDN1A939C	2009 VT	DP	3960 S	6/19/2008	8/5/2008
410713	4VZBT1B999C	2009 VT	DP	4333 S	6/19/2008	8/11/2008
410715	4VZBT1B959C	2009 VT	DP	4333 S	7/30/2008	8/28/2008
410716	4VZBT1B929C	2009 VT	DP	4386 S	8/5/2008	8/28/2008
410718	4VZDN1A9X9C	2009 VT	DP	3430 S	8/6/2008	9/3/2008
410719	4VZBT1B949C	2009 VT	DP	4333 S	7/31/2008	8/26/2008
410720	4VZBT1B929C	2009 VT	DP	4333 S	9/15/2008	10/6/2008
410721	4VZDN1A959C	2009 VT	DP	3432 S	9/16/2008	10/8/2008
410722	4VZBT1B949C	2009 VT	DP	4333 S	9/17/2008	10/8/2008
410723	4VZBT1B939C	2009 VT	DP	4333 S	9/24/2008	10/15/2008
410724	4VZBT1B959C	2009 VT	DP	4333 S	9/22/2008	10/13/2008
410725	4VZBT1B959C	2009 VT	DP	4333 S	10/6/2008	10/27/2008
410726	4VZBT1B979C	2009 VT	DP	4333 S	10/8/2008	10/30/2008
410727	4VZDN1A959C	2009 VT	DP	3942 S	10/16/2008	11/25/2008
410728	4VZDN1A979C	2009 VT	DP	3961 S	10/14/2008	11/5/2008
410729	4VZDN1A949C	2009 VT	DP	3432 S	10/30/2008	12/3/2008
410730	4VZBT1B969C	2009 VT	DP	4333 S	10/29/2008	12/2/2008
410731	4VZDN1A9X9C	2009 VT	DP	3430 S	11/5/2008	12/5/2008
410732	4VZDN1A919C	2009 VT	DP	3933 S	10/30/2008	12/3/2008
410733	4VZDN1A979C	2009 VT	DP	3432 S	11/24/2008	12/9/2008
410738	4VZDN1A929C	2009 VT	DP	3430 S	3/2/2009	3/12/2009
410740	4VZBT1B929C	2009 VT	DP	4333 S	3/12/2009	3/20/2009
410741	4VZBT1B929C	2009 VT	DP	4333 S	3/10/2009	3/19/2009
410742	4VZDN1A98AC	2010 VT	DP	3942 S	5/14/2009	5/29/2009
410743	4VZBT1B95AC	2010 VT	DP	4386 S	5/7/2009	5/20/2009

410744	4VZDN1A93AC	[REDACTED]	2010 VT	DP	3933 S	5/13/2009	5/27/2009
410745	4VZBT1B97AC	[REDACTED]	2010 VT	DP	4333 S	5/27/2009	6/4/2009
410748	4VZDN1A94AC	[REDACTED]	2010 VT	DP	3942 S	6/2/2009	6/10/2009
410749	4VZDN1A98AC	[REDACTED]	2010 VT	DP	3933 S	6/8/2009	6/17/2009
410751	4VZBT1B98AC	[REDACTED]	2010 VT	DP	4333 S	7/6/2009	7/15/2009
410752	4VZDN1A94AC	[REDACTED]	2010 VT	DP	3430 S	7/15/2009	7/27/2009
410755	4VZBT1B93AC	[REDACTED]	2010 VT	DP	4333 S	7/20/2009	7/29/2009
410756	4VZBT1B95AC	[REDACTED]	2010 VT	DP	4333 S	7/20/2009	7/30/2009
410760	4VZBT1B97AC	[REDACTED]	2010 VT	DP	4333 S	7/22/2009	8/3/2009
410761	4VZDN1A95AC	[REDACTED]	2010 VT	DP	3933 S	7/27/2009	8/6/2009
410762	4VZDN1A98AC	[REDACTED]	2010 VT	DP	3961 S	7/29/2009	8/11/2009
410763	4VZDN1A9XAC	[REDACTED]	2010 VT	DP	3936 S	8/5/2009	8/18/2009
410764	4VZBT1B90AC	[REDACTED]	2010 VT	DP	4386 S	8/6/2009	8/19/2009
410765	4VZDN1A91AC	[REDACTED]	2010 VT	DP	3961 S	8/13/2009	8/26/2009
410766	4VZBT1B92AC	[REDACTED]	2010 VT	DP	4333 S	7/30/2009	8/12/2009
410767	4VZDN1A91AC	[REDACTED]	2010 VT	DP	3933 S	7/30/2009	8/12/2009
410769	4VZDN1A99AC	[REDACTED]	2010 VT	DP	3933 S	2/18/2010	3/1/2010
410770	4VZBT1B95AC	[REDACTED]	2010 VT	DP	4333 S	8/26/2009	9/15/2009
410772	4VZDN1A96AC	[REDACTED]	2010 VT	DP	3933 S	8/27/2009	9/16/2009
410773	4VZDN1A93AC	[REDACTED]	2010 VT	DP	3933 S	9/16/2009	9/22/2009
410774	4VZDN1A97AC	[REDACTED]	2010 VT	DP	3961 S	9/21/2009	10/1/2009
410776	4VZBT1B93AC	[REDACTED]	2010 VT	DP	4333 S	10/5/2009	10/15/2009
410777	4VZDN1A97AC	[REDACTED]	2010 VT	DP	3933 S	10/15/2009	10/27/2009
410778	4VZBT1B90AC	[REDACTED]	2010 VT	DP	4386 S	10/13/2009	10/23/2009
410779	4VZDN1A9XAC	[REDACTED]	2010 VT	DP	3933 S	10/12/2009	10/22/2009
410781	4VZDN1A93AC	[REDACTED]	2010 VT	DP	3961 S	10/23/2009	11/3/2009
410782	4VZDN1A91AC	[REDACTED]	2010 VT	DP	3936 S	10/28/2009	11/6/2009
410784	4VZBT1B97AC	[REDACTED]	2010 VT	DP	4333 S	10/28/2009	11/6/2009
410785	4VZBT1B98AC	[REDACTED]	2010 VT	DP	4333 S	10/29/2009	11/9/2009
410786	4VZDN1A95AC	[REDACTED]	2010 VT	DP	3936 S	10/29/2009	11/9/2009
410787	4VZDN1A93AC	[REDACTED]	2010 VT	DP	3942 S	11/4/2009	11/12/2009
410788	4VZBT1B92AC	[REDACTED]	2010 VT	DP	4333 S	10/30/2009	11/10/2009
410789	4VZDN1A97AC	[REDACTED]	2010 VT	DP	3933 S	11/3/2009	11/11/2009
410790	4VZDN1A95AC	[REDACTED]	2010 VT	DP	3933 S	11/9/2009	11/17/2009
410791	4VZDN1A95AC	[REDACTED]	2010 VT	DP	3933 S	11/30/2009	12/8/2009
410792	4VZBT1B94AC	[REDACTED]	2010 VT	DP	4333 S	11/19/2009	12/1/2009
410793	4VZDN1A92AC	[REDACTED]	2010 VT	DP	3961 S	11/23/2009	12/3/2009
410794	4VZDN1A9XAC	[REDACTED]	2010 VT	DP	3961 S	11/16/2009	11/24/2009
410795	4VZDN1A95AC	[REDACTED]	2010 VT	DP	3933 S	12/14/2009	1/14/2010
410796	4VZDN1A90AC	[REDACTED]	2010 VT	DP	3933 S	11/25/2009	12/7/2009
410797	4VZDN1A96AC	[REDACTED]	2010 VT	DP	3933 S	1/14/2010	1/25/2010
410798	4VZBT1B96AC	[REDACTED]	2010 VT	DP	4333 S	12/15/2009	1/18/2010
410799	4VZDN1A99AC	[REDACTED]	2010 VT	DP	3961 S	12/2/2009	12/10/2009
410800	4VZDN1A97AC	[REDACTED]	2010 VT	DP	3933 S	12/3/2009	12/14/2009
410801	4VZBT1B92AC	[REDACTED]	2010 VT	DP	4386 S	1/15/2010	1/26/2010
410802	4VZDN1A94AC	[REDACTED]	2010 VT	DP	3936 S	12/15/2009	1/15/2010
410803	4VZDN1A92AC	[REDACTED]	2010 VT	DP	3432 S	1/28/2010	2/8/2010
410804	4VZBT1B92AC	[REDACTED]	2010 VT	DP	4333 S	12/16/2009	1/19/2010
410805	4VZBT1B90AC	[REDACTED]	2010 VT	DP	4386 S	1/19/2010	1/28/2010
410806	4VZDN1A98AC	[REDACTED]	2010 VT	DP	3961 S	1/21/2010	2/1/2010
410807	4VZBT1B92AC	[REDACTED]	2010 VT	DP	4333 S	1/29/2010	2/9/2010
410808	4VZBT1B95AC	[REDACTED]	2010 VT	DP	4386 S	2/1/2010	2/10/2010

410809	4VZDN1A93AC	[REDACTED]	2010 VT	DP	3430 S	2/26/2010	3/9/2010
410810	4VZBT1B90AC	[REDACTED]	2010 VT	DP	4333 S	2/9/2010	2/18/2010
410811	4VZBT1B93AC	[REDACTED]	2010 VT	DP	4386 S	2/16/2010	2/25/2010
410812	4VZDN1A95AC	[REDACTED]	2010 VT	DP	3933 S	2/18/2010	3/1/2010
410813	4VZDN1A97AC	[REDACTED]	2010 VT	DP	3936 S	2/22/2010	3/3/2010
410814	4VZDN1A92BC	[REDACTED]	2010 VT	DP	3432 S	3/11/2010	3/19/2010
410815	4VZDN1A94BC	[REDACTED]	2010 VT	DP	3430 S	3/12/2010	3/22/2010
410816	4VZDN1A98AC	[REDACTED]	2010 VT	DP	3432 S	3/17/2010	3/24/2010
410817	4VZBT1B91AC	[REDACTED]	2010 VT	DP	4333 S	2/24/2010	3/5/2010
410818	4VZBT1B92AC	[REDACTED]	2010 VT	DP	4333 S	2/24/2010	3/5/2010
410819	4VZBT1B92AC	[REDACTED]	2010 VT	DP	4333 S	3/5/2010	3/16/2010
410820	4VZBT1B92BC	[REDACTED]	2011 VT	DP	4375S S	3/22/2010	4/1/2010
410821	4VZBT1B92BC	[REDACTED]	2011 VT	DP	4375S S	3/18/2010	3/30/2010
410822	4VZBT1B95BC	[REDACTED]	2011 VT	DP	4375S S	3/23/2010	4/6/2010
410823	4VZDN1A98BC	[REDACTED]	2010 VT	DP	3933 S	3/19/2010	3/31/2010
410824	4UZFCHBS1BC	[REDACTED]	2011 VT	DP	4335 FL	3/24/2010	4/7/2010
410825	4UZAB2DT4BC	[REDACTED]	2011 VT	DP	3434 FL	3/29/2010	4/8/2010
410826	4VZBT1B97BC	[REDACTED]	2011 VT	DP	4375S S	3/30/2010	4/9/2010
410827	4VZBT1B93BC	[REDACTED]	2011 VT	DP	4375S S	3/30/2010	4/9/2010
410828	4VZDN1A9XBC	[REDACTED]	2011 VT	DP	3971S S	3/31/2010	4/12/2010
410829	4VZDN1A91BC	[REDACTED]	2011 VT	DP	3942S S	4/6/2010	4/15/2010
410830	4VZBT1B95BC	[REDACTED]	2011 VT	DP	4333S S	4/16/2010	4/27/2010
410831	4VZDN1A92BC	[REDACTED]	2011 VT	DP	3973S S	4/23/2010	5/4/2010
410832	4VZDN1A90BC	[REDACTED]	2011 VT	DP	3973S S	4/27/2010	5/6/2010
410833	4VZBT1B95BC	[REDACTED]	2011 VT	DP	4333S S	5/3/2010	5/11/2010
410834	4VZDN1A96BC	[REDACTED]	2011 VT	DP	3973S S	5/12/2010	5/24/2010
410835	4VZDN1A94BC	[REDACTED]	2011 VT	DP	3971S S	5/4/2010	5/14/2010
410836	4VZBT1B97BC	[REDACTED]	2011 VT	DP	4375S S	5/5/2010	5/17/2010
410837	4VZDN1A91BC	[REDACTED]	2011 VT	DP	3973S S	5/3/2010	5/12/2010
410838	4VZDN1A93BC	[REDACTED]	2011 VT	DP	3973S S	5/10/2010	5/19/2010
410839	4VZBT1B93BC	[REDACTED]	2011 VT	DP	4375S S	5/27/2010	6/7/2010
410840	4VZBT1B9XBC	[REDACTED]	2011 VT	DP	4375S S	5/25/2010	6/3/2010
410841	4VZDN1A92BC	[REDACTED]	2011 VT	DP	3942 S	5/21/2010	6/2/2010
410842	4VZDN1A91BC	[REDACTED]	2011 VT	DP	3973S S	5/25/2010	6/4/2010
410843	4VZDN1A93BC	[REDACTED]	2011 VT	DP	3973S S	6/1/2010	6/9/2010
410844	4VZDN1A93BC	[REDACTED]	2011 VT	DP	3971S S	6/1/2010	6/10/2010
410845	4VZDN1A94AC	[REDACTED]	2011 VT	DP	3973S S	6/4/2010	6/14/2010
410846	4VZDN1A95BC	[REDACTED]	2011 VT	DP	3971S S	6/3/2010	6/11/2010
410847	4UZACHDT3BC	[REDACTED]	2011 VT	DP	3934 FL	6/21/2010	6/30/2010
410850	4UZACHDT5BC	[REDACTED]	2011 VT	DP	3962 FL	6/25/2010	7/15/2010
410851	4UZACHDT7BC	[REDACTED]	2011 VT	DP	3934 FL	7/14/2010	7/27/2010
410855	4UZACHDT5BC	[REDACTED]	2011 VT	DP	3934 FL	7/27/2010	8/5/2010
410856	4UZFCHBS5BC	[REDACTED]	2011 VT	DP	4335 FL	7/28/2010	8/5/2010
410859	4UZFCHBS3BC	[REDACTED]	2011 VT	DP	4333 FL	8/3/2010	8/11/2010
410860	4UZAB2DT4BC	[REDACTED]	2011 VT	DP	3433 FL	8/10/2010	8/20/2010
410862	4UZFCHBS1BC	[REDACTED]	2011 VT	DP	4333 FL	8/11/2010	8/23/2010
410863	4UZACHDT7BC	[REDACTED]	2011 VT	DP	3934 FL	8/12/2010	8/23/2010
410864	4UZACHDT9BC	[REDACTED]	2011 VT	DP	3962 FL	8/27/2010	9/8/2010
410865	4UZFCHBS2BC	[REDACTED]	2011 VT	DP	4333 FL	8/30/2010	9/10/2010
410866	4UZACHDT8BC	[REDACTED]	2011 VT	DP	3934 FL	9/1/2010	9/14/2010
410867	4UZFCHBS3BC	[REDACTED]	2011 VT	DP	4386 FL	9/3/2010	9/15/2010
410868	4UZACHDT4BC	[REDACTED]	2011 VT	DP	3962 FL	9/14/2010	9/23/2010

410870	4UZAB2DT6BC	2011 VT	DP	3433 FL	9/20/2010	9/29/2010
410871	4UZFCHBS8BC	2011 VT	DP	4335 FL	9/21/2010	10/1/2010
410872	4UZFCHBSXBC	2011 VT	DP	4386 FL	9/23/2010	10/4/2010
410873	4UZAB2DT1BC	2011 VT	DP	3433 FL	9/28/2010	10/7/2010
410874	4UZAB2DT6BC	2011 VT	DP	3433 FL	9/27/2010	10/6/2010
410875	4UZAB2DT8BC	2011 VT	DP	3433 FL	10/1/2010	10/12/2010
410876	4UZAB2DTXBC	2011 VT	DP	3433 FL	10/4/2010	10/13/2010
410877	4UZFCHBS7BC	2011 VT	DP	4335 FL	9/30/2010	10/11/2010
410878	4UZFCHBS7BC	2011 VT	DP	4335 FL	10/5/2010	10/14/2010
410880	4UZFCHBS0BC	2011 VT	DP	4335 FL	10/13/2010	10/22/2010
410881	4UZFCHBS9BC	2011 VT	DP	4333 FL	10/13/2010	10/22/2010
410882	4UZAB2DT1BC	2011 VT	DP	3434 FL	10/11/2010	10/20/2010
410883	4UZFCHBS0BC	2011 VT	DP	4333 FL	10/8/2010	10/20/2010
410884	4UZAB2DT8BC	2011 VT	DP	3434 FL	11/10/2010	11/19/2010
410885	4UZFCHBS2BC	2011 VT	DP	4335 FL	10/12/2010	10/21/2010
410887	4UZAB2DT5BC	2012 VL	DP	3862 FL	10/14/2010	10/25/2010
410888	4UZAB2DTXBC	2012 VL	DP	3843 FL	10/22/2010	11/2/2010
410889	4UZACHDT6BC	2011 VT	DP	3934 FL	11/2/2010	11/11/2010
410891	4UZACHDT0BC	2011 VT	DP	3962 FL	11/11/2010	11/22/2010
410893	4UZFCHBS4BC	2011 VT	DP	4333 FL	11/17/2010	11/30/2010
410895	4UZACHDT8BC	2011 VT	DP	3934 FL	11/12/2010	11/23/2010
410896	4UZFCHBS6BC	2011 VT	DP	4333 FL	11/19/2010	12/1/2010
410897	4UZFCHBS4BC	2011 VT	DP	4335 FL	11/16/2010	11/24/2010
410898	4UZAB2DTXBC	2011 VT	DP	3434 FL	11/22/2010	12/3/2010
410899	4UZFCHBS4BC	2011 VT	DP	4335 FL	12/1/2010	12/10/2010
410900	4UZFCHBS6BC	2011 VT	DP	4333 FL	12/2/2010	12/13/2010
410901	4UZACHDT3BC	2011 VT	DP	3934 FL	12/3/2010	12/14/2010
410902	4UZAB2DT6BC	2011 VT	DP	3434 FL	12/6/2010	12/15/2010
410903	4UZAB2DT6BC	2011 VT	DP	3433 FL	12/13/2010	1/5/2011
410904	4UZFCHBS8BC	2011 VT	DP	4333 FL	12/14/2010	1/7/2011
410905	4UZACHDT1BC	2011 VT	DP	3962 FL	1/4/2011	1/13/2011
410906	4UZAB2DT2BC	2012 VL	DP	3843 FL	1/3/2011	1/13/2011
410907	4UZAB2DT3BC	2012 VL	DP	3634 FL	1/12/2011	1/21/2011
410908	4UZAB2DT7BC	2012 VL	DP	3862 FL	1/18/2011	1/26/2011
410909	4UZAB2DT0BC	2012 VL	DP	3843 FL	12/15/2010	1/11/2011
410911	4UZAB2DT6BC	2012 VL	DP	3862 FL	2/25/2011	3/8/2011
410913	4UZAB2DT9BC	2012 VL	DP	3862 FL	1/27/2011	2/7/2011
410914	4UZAB2DT0BC	2012 VL	DP	3862 FL	1/28/2011	2/8/2011
410916	4UZAB2DTXBC	2011 VT	DP	3434 FL	1/19/2011	1/28/2011
410917	4UZAB2DT4BC	2011 VT	DP	3433 FL	1/25/2011	2/3/2011
410918	4UZAB2DT1BC	2011 VT	DP	3433 FL	1/26/2011	2/4/2011
410919	4UZAB2DT8BC	2011 VT	DP	3433 FL	1/13/2011	1/21/2011
410920	4UZAB2DT6BC	2012 VL	DP	3862 FL	2/4/2011	2/14/2011
410921	4UZACHDTXBC	2011 VT	DP	3962 FL	1/12/2011	1/20/2011
410924	4UZAB2DTXBC	2012 VL	DP	3843 FL	2/7/2011	2/15/2011
410925	4UZAB2DT0BC	2012 VL	DP	3862 FL	2/17/2011	2/25/2011
410926	4UZAB2DT5BC	2012 VL	DP	3634 FL	2/4/2011	2/11/2011
410927	4UZAB2DT8BC	2012 VL	DP	3862 FL	1/10/2011	1/19/2011
410928	4UZAB2DT4BC	2012 VL	DP	3843 FL	1/7/2011	1/17/2011
410929	4UZFCHBS1BC	2011 VT	DP	4335 FL	1/10/2011	1/18/2011
410930	4UZAB2DT6BC	2012 VL	DP	3862 FL	2/8/2011	2/16/2011
410931	4UZAB2DT6BC	2012 VL	DP	3862 FL	1/13/2011	1/24/2011

410932	4UZAB2DT7BC	2012 VL	DP	3634 FL	2/18/2011	2/28/2011
410933	4UZAB2DT4BC	2012 VL	DP	3634 FL	2/10/2011	2/18/2011
410934	4UZAB2DT5BC	2012 VL	DP	3843 FL	2/10/2011	2/18/2011
410935	4UZAB2DT0BC	2012 VL	DP	3862 FL	2/16/2011	2/24/2011
410936	4UZAB2DT4BC	2012 VL	DP	3862 FL	2/23/2011	3/4/2011
410937	4UZAB2DT7BC	2012 VL	DP	3843 FL	2/11/2011	2/21/2011
410938	4UZFHBS3BC	2011 VT	DP	4335 FL	1/18/2011	1/27/2011
410939	4UZFHBS5BC	2011 VT	DP	4335 FL	1/24/2011	2/3/2011
410941	4UZAB2DT2BC	2012 VL	DP	3634 FL	2/3/2011	2/10/2011
410942	4UZAB2DT4BC	2012 VL	DP	3843 FL	2/1/2011	2/9/2011
410943	4UZAB2DT7BC	2012 VL	DP	3843 FL	2/10/2011	2/22/2011
410944	4UZAB2DT9BC	2012 VL	DP	3843 FL	3/3/2011	3/14/2011
410945	4UZAB2DT4BC	2012 VL	DP	3634 FL	2/18/2011	3/1/2011
410946	4UZAB2DT2BC	2012 VL	DP	3862 FL	2/21/2011	3/1/2011
410947	4UZAB2DT6CC	2012 VL	DP	3862 FL	3/10/2011	3/21/2011
410948	4UZAB2DTXBC	2012 VL	DP	3843 FL	2/22/2011	3/2/2011
410949	4UZAB2DT5BC	2011 VT	DP	3434 FL	2/25/2011	3/8/2011
410950	4UZACHDT5BC	2011 VT	DP	3934 FL	2/8/2011	2/16/2011
410951	4UZAB2DT5BC	2011 VT	DP	3434 FL	3/22/2011	3/31/2011
410952	4UZACHDT8BC	2011 VT	DP	3962 FL	2/4/2011	2/14/2011
410953	4UZAB2DT3BC	2011 VT	DP	3434 FL	2/28/2011	3/9/2011
410954	4UZACHDT7BC	2011 VT	DP	3934 FL	2/18/2011	2/28/2011
410955	4UZAB2DT8BC	2012 VL	DP	3843 FL	2/14/2011	2/21/2011
410956	4UZAB2DT9BC	2012 VL	DP	3862 FL	2/15/2011	2/23/2011
410957	4UZACHDT9BC	2011 VT	DP	3962 FL	3/3/2011	3/14/2011
410958	4UZFHBS9BC	2011 VT	DP	4335 FL	2/23/2011	3/4/2011
410959	4UZAB2DT7BC	2011 VT	DP	3433 FL	3/18/2011	3/29/2011
410960	4UZAB2DT9BC	2011 VT	DP	3434 FL	3/21/2011	3/30/2011
410961	4UZFHBS3CC	2012 VT	DP	4333 FL	4/19/2011	5/2/2011
410963	4UZAB2DT6BC	2012 VL	DP	3634 FL	3/4/2011	3/15/2011
410964	4UZFHBS5CC	2012 VT	DP	4337 FL	3/24/2011	4/1/2011
410965	4UZAB2DT7BC	2012 VL	DP	3843 FL	3/15/2011	3/24/2011
410966	4UZAB2DT8BC	2012 VL	DP	3634 FL	3/8/2011	3/18/2011
410967	4UZFHBS7BC	2011 VT	DP	4386 FL	3/7/2011	3/16/2011
410968	4UZFHBS8BC	2011 VT	DP	4333 FL	3/7/2011	3/17/2011
410969	4UZAB2DT9CC	2012 VL	DP	3862 FL	3/14/2011	3/24/2011
410970	4UZACHDT7BC	2011 VT	DP	3934 FL	3/11/2011	3/22/2011
410971	4UZACHDT2BC	2011 VT	DP	3934 FL	3/23/2011	4/1/2011
410972	4UZACHDT9BC	2011 VT	DP	3934 FL	3/24/2011	4/4/2011
410973	4UZACHDT0BC	2011 VT	DP	3943 FL	3/25/2011	4/7/2011
410974	4UZAB2DTXCC	2012 VL	DP	3862 FL	3/31/2011	4/11/2011
410975	4UZAB2DTXCC	2012 VL	DP	3862 FL	4/6/2011	4/15/2011
410976	4UZAB2DTXCC	2012 VL	DP	3843 FL	4/5/2011	4/14/2011
410977	4UZAB2DT8CC	2012 VL	DP	3862 FL	4/27/2011	5/9/2011
410978	4UZAB2DT8CC	2012 VL	DP	3843 FL	4/12/2011	4/21/2011
410983	4UZACHDTXBC	2011 VT	DP	3962 FL	4/7/2011	4/19/2011
410984	4UZAB2DTXCC	2012 VL	DP	3634 FL	4/8/2011	4/19/2011
410985	4UZAB2DT9BC	2011 VT	DP	3433 FL	4/20/2011	5/2/2011
410986	4UZAB2DTXBC	2011 VT	DP	3434 FL	4/25/2011	5/4/2011
410989	4UZAB2DT3CC	2012 VL	DP	3634 FL	5/3/2011	5/12/2011
410990	4UZFHBS9BC	2011 VT	DP	4335 FL	5/9/2011	5/19/2011
410991	4UZFHBS2CC	2012 VT	DP	4324 FL	5/23/2011	6/3/2011

410993	4UZACHDTXBC	2011 VT	DP	3962 FL	5/16/2011	5/26/2011
410994	4UZACHDT2BC	2011 VT	DP	3962 FL	5/17/2011	5/27/2011
410995	4UZAB2DT5CC	2012 VL	DP	3634 FL	5/16/2011	5/25/2011
410996	4UZACHDT4BC	2011 VT	DP	3962 FL	5/18/2011	5/27/2011
410997	4UZFCHBS8CC	2012 VT	DP	4062 FL	5/27/2011	6/9/2011
410998	4UZFCHBSXCC	2012 VT	DP	4034 FL	6/6/2011	6/15/2011
410999	4UZAB2DTXCC	2012 VL	DP	3843 FL	6/3/2011	6/14/2011
411000	4UZAB2DT0CC	2012 VL	DP	3862 FL	6/7/2011	6/16/2011
411002	4UZAB2DT3CC	2012 VL	DP	3862 FL	6/9/2011	6/20/2011
411004	4UZAB2DT3CC	2012 VL	DP	3634 FL	6/15/2011	6/24/2011
411005	4UZAB2DT1CC	2012 VL	DP	3634 FL	6/17/2011	6/29/2011
411006	4UZAB2DT1CC	2012 VL	DP	3862 FL	6/23/2011	7/13/2011
411010	4UZFCHBS4CC	2012 VT	DP	4346 FL	7/12/2011	7/21/2011
411012	4UZAB2DTXCC	2012 VT	DP	3434 FL	8/18/2011	8/29/2011
411013	4UZAB2DT3CC	2012 VL	DP	3862 FL	6/28/2011	7/15/2011
411014	4UZAB2DT7CC	2012 VL	DP	3862 FL	7/21/2011	8/3/2011
411016	4UZFCHBS3CC	2012 VT	DP	4337 FL	8/10/2011	8/19/2011
411017	4UZAB2DT1CC	2012 VL	DP	3634 FL	8/8/2011	8/18/2011
411018	4UZFCHBS3CC	2012 VT	DP	4062 FL	8/16/2011	8/25/2011
411020	4UZFCHBS7CC	2012 VT	DP	4346 FL	8/23/2011	9/1/2011
411021	4UZFCHBS5CC	2012 VT	DP	4324 FL	8/22/2011	8/31/2011
411022	4UZAB2DT1CC	2012 VT	DP	3434 FL	8/24/2011	9/6/2011
411023	4UZFCHBS5CC	2012 VT	DP	4062 FL	8/25/2011	9/7/2011
411024	4UZAB2DT5CC	2012 VL	DP	3862 FL	8/22/2011	9/1/2011
411025	4UZAB2DT5CC	2012 VL	DP	3843 FL	8/25/2011	9/7/2011
411027	4UZAB2DT9CC	2012 VL	DP	3843 FL	8/29/2011	9/9/2011
411028	4UZAB2DT7CC	2012 VL	DP	3862 FL	8/31/2011	9/13/2011
411029	4UZAB2DT0CC	2012 VL	DP	3862 FL	9/13/2011	9/26/2011
411030	4UZAB2DT9CC	2012 VL	DP	3843 FL	9/14/2011	9/26/2011
411031	4UZAB2DT2CC	2012 VL	DP	3634 FL	9/20/2011	10/3/2011
411032	4UZAB2DT4CC	2012 VL	DP	3634 FL	9/16/2011	9/28/2011
411033	4UZAB2DT5CC	2012 VL	DP	3862 FL	9/21/2011	10/5/2011
411034	4UZAB2DT2CC	2012 VL	DP	3862 FL	9/22/2011	10/5/2011
411035	4UZFCHBS7CC	2012 VT	DP	4337 FL	9/26/2011	10/6/2011
411037	4UZAB2DT3CC	2012 VL	DP	3843 FL	10/12/2011	10/21/2011
411038	4UZAB2DT5CC	2012 VL	DP	3843 FL	10/13/2011	10/24/2011
411039	4UZAB2DT4CC	2012 VT	DP	3433 FL	10/13/2011	10/24/2011
411041	4UZFCHBS6CC	2012 VT	DP	4346 FL	10/21/2011	11/1/2011
411042	4UZFCHBS7CC	2012 VT	DP	4034 FL	10/18/2011	10/27/2011
411043	4UZFCHBS9CC	2012 VT	DP	4337 FL	10/20/2011	10/31/2011
411046	4UZFCHBS8CC	2012 VT	DP	4346 FL	11/3/2011	11/11/2011
411047	4UZFCHBS0CC	2012 VT	DP	4346 FL	10/24/2011	11/2/2011
411048	4UZAB2DT6CC	2012 VT	DP	3433 FL	10/26/2011	11/4/2011
411049	4UZAB2DT8CC	2012 VT	DP	3434 FL	11/7/2011	11/15/2011
411050	4UZAB2DT1CC	2012 VL	DP	3862 FL	11/11/2011	11/21/2011
411051	4UZAB2DTXCC	2012 VT	DP	3434 FL	11/16/2011	11/28/2011
411053	4UZFCHBS2CC	2012 VT	DP	4346 FL	12/12/2011	12/21/2011
411054	4UZFCHBSXCC	2012 VT	DP	4324 FL	12/1/2011	12/8/2011
411055	4UZAB2DT9CC	2012 VT	DP	3434 FL	12/5/2011	12/13/2011
411056	4UZAB2DT2CC	2012 VT	DP	3434 FL	12/13/2011	12/22/2011
411057	4UZAB2DT0CC	2012 VT	DP	3434 FL	12/2/2011	12/12/2011
411058	4UZAB2DT2CC	2012 VT	DP	3433 FL	12/13/2011	12/22/2011

411059	4UZAB2DT4CC	2012 VT	DP	3433 FL	12/16/2011	1/12/2012
411061	4UZAB2DT6CC	2012 VT	DP	3434 FL	12/20/2011	1/16/2012
411062	4UZAB2DT3CC	2012 VL	DP	3862 FL	1/9/2012	1/19/2012
411063	4UZFCHBSXCC	2012 VT	DP	4062 F	12/6/2011	12/14/2011
411064	4UZFCHBS4CC	2012 VT	DP	4333 FL	12/19/2011	1/12/2012
411065	4UZAB2DT7CC	2012 VT	DP	3434 FL	1/24/2012	2/2/2012
411066	4UZAB2DT8CC	2012 VT	DP	3433 FL	1/13/2012	1/25/2012
411067	4UZFCHBS6CC	2012 VT	DP	4034 FL	1/17/2012	1/26/2012
411068	4UZAB2DT2CC	2012 VL	DP	3862 FL	1/12/2012	1/24/2012
411069	4UZFCHBS6CC	2012 VT	DP	4346 FL	1/30/2012	2/8/2012
411070	4UZFCHBSXCC	2012 VT	DP	4346 FL	1/31/2012	2/9/2012
411072	4UZAB2DT4CC	2012 VL	DP	3862 FL	2/9/2012	2/20/2012
411073	4UZAB2DT6CC	2012 VT	DP	3434 FL	3/8/2012	3/21/2012
411074	4UZAB2DT5CC	2012 VT	DP	3433 FL	2/1/2012	2/10/2012
411075	4UZAB2DT4CC	2012 VT	DP	3433 FL	2/13/2012	2/22/2012
411076	4UZFCHBS4CC	2012 VT	DP	4346 FL	2/15/2012	2/27/2012
411077	4UZFCHBS1DC	2013 VT	DP	4346 FL	2/20/2012	2/29/2012
411078	4UZAB2DT0DC	2013 VL	DP	3434 FL	3/13/2012	3/27/2012
411079	4UZAB2DT6CC	2012 VL	DP	3862 FL	2/14/2012	2/23/2012
411080	4UZAB2DT6CC	2012 VT	DP	3433 FL	3/6/2012	3/19/2012
411081	4UZAB2DT4CC	2012 VT	DP	3433 FL	3/6/2012	3/20/2012
411082	4UZAB2DT4CC	2012 VT	DP	3434 FL	3/2/2012	3/15/2012
411083	4UZFCHBS8CC	2012 VT	DP	4043 FL	3/22/2012	4/13/2012
411084	4UZAB2DT8CC	2012 VL	DP	3843 FL	4/9/2012	4/19/2012
411085	4UZAB2DT6CC	2012 VL	DP	3634 FL	4/11/2012	4/24/2012
411087	4UZAB2DT8CC	2012 VL	DP	3634 FL	4/12/2012	4/25/2012
411088	4UZAB2DT0CC	2012 VT	DP	3434 FL	4/13/2012	4/26/2012
411089	4UZAB2DT0DC	2012 VT	DP	3434 FL	5/1/2012	5/10/2012
411092	4UZAB2DT0DC	2013 VL	DP	3634 FL	5/9/2012	5/18/2012
411093	4UZAB2DT7DC	2013 VT	DP	3434 FL	5/4/2012	5/15/2012
411094	4UZAB2DT2DC	2013 VT	DP	3433 FL	5/10/2012	5/22/2012
411096	4UZFCHBS2DC	2013 VT	DP	4018 FL	5/30/2012	6/7/2012
411097	4UZFCHBS8CC	2013 VT	DP	4324 FL	5/23/2012	6/1/2012
411101	4UZFCHBS0DC	2013 VT	DP	4018 FL	5/18/2012	5/30/2012
411102	4UZAB2DT1DC	2013 VT	DP	3634 FL	5/22/2012	5/31/2012
411105	4UZAB2DT0DC	2013 VL	DP	3434 FL	6/4/2012	6/12/2012
411106	4UZFCHBS3DC	2013 VT	DP	4038 FL	6/1/2012	6/11/2012
411108	4UZFCHBS3DC	2013 VT	DP	4018 FL	6/4/2012	6/12/2012
411109	4UZAB2DT2DC	2013 VL	DP	3434 FL	6/12/2012	6/19/2012
411110	4UZAB2DT7DC	2013 VT	DP	3434 FL	6/21/2012	7/10/2012
411111	4UZAB2DT9DC	2013 VL	DP	3862 FL	7/12/2012	7/20/2012
411112	4UZFCHBS0DC	2013 VT	DP	4346 FL	6/19/2012	6/26/2012
411114	4UZAB2DT6DC	2013 VL	DP	3843 FL	6/19/2012	6/27/2012
411115	4UZAB2DT6DC	2013 VL	DP	3434 FL	8/2/2012	8/13/2012
411116	4UZFCHBS6DC	2013 VT	DP	4346 FL	8/15/2012	8/24/2012
411118	4UZAB2DT9DC	2013 VL	DP	3434 FL	6/21/2012	7/11/2012
411120	4UZFCHBSXDC	2013 VT	DP	4346 FL	7/31/2012	8/9/2012
411121	4UZFCHBS9DC	2013 VT	DP	4346 FL	7/24/2012	8/2/2012
411123	4UZFCHBS2DC	2013 VT	DP	4018 FL	7/13/2012	7/23/2012
411124	4UZAB2DT2DC	2013 VT	DP	3433 FL	8/6/2012	8/15/2012
411125	4UZFCHBS8DC	2013 VT	DP	4337 FL	8/16/2012	8/27/2012
411126	4UZFCHBS8DC	2013 VT	DP	4018 FL	8/3/2012	8/14/2012

411127	4UZAB2DT1DC	2013 VT	DP	3434 FL	8/8/2012	8/17/2012
411128	4UZFCHBS9DC	2013 VT	DP	4018 FL	8/10/2012	8/21/2012
411129	4UZAB2DT6DC	2013 VT	DP	3434 FL	8/13/2012	8/22/2012
411131	4UZAB2DT2DC	2013 VL	DP	3434 FL	7/30/2012	8/7/2012
411132	4UZFCHBS3DC	2013 VT	DP	4018 FL	8/20/2012	8/29/2012
411134	4UZAB2DT0DC	2013 VT	DP	3434 FL	8/22/2012	8/31/2012
411135	4UZFCHBS6DC	2013 VT	DP	4018 FL	8/29/2012	9/7/2012
411136	4UZAB2DT2DC	2013 VT	DP	3434 FL	8/30/2012	9/10/2012
411137	4UZAB2DT2DC	2013 VT	DP	3634 FL	9/17/2012	9/26/2012
411138	4UZFCHBS3DC	2013 VT	DP	4018 FL	9/20/2012	10/3/2012
411139	4UZAB2DT4DC	2013 VL	DP	3862 FL	9/6/2012	9/14/2012
411140	4UZFCHBSXDC	2013 VT	DP	4018 FL	8/27/2012	9/6/2012
411141	4UZFCHBSXDC	2013 VT	DP	4018 FL	9/10/2012	9/19/2012
411142	4UZAB2DT8DC	2013 VT	DP	3433 FL	10/3/2012	10/11/2012
411143	4UZAB2DT2DC	2013 VT	DP	3634 FL	9/5/2012	9/13/2012
411144	4UZAB2DT6DC	2013 VT	DP	3434 FL	9/6/2012	9/17/2012
411145	4UZAB2DT4DC	2013 VT	DP	3433 FL	9/14/2012	9/24/2012
411146	4UZAB2DT1DC	2013 VT	DP	3434 FL	9/21/2012	10/4/2012
411147	4UZFCHBS1DC	2013 VT	DP	4346 FL	9/19/2012	10/2/2012
411148	4UZAB2DT7DC	2013 VT	DP	3433 FL	10/4/2012	10/12/2012
411149	4UZAB2DT1DC	2013 VT	DP	3433 FL	10/16/2012	10/25/2012
411150	4UZAB2DT5DC	2013 VT	DP	3434 FL	11/14/2012	11/21/2012
411152	4UZFCHBSXDC	2013 VT	DP	4346 FL	10/8/2012	10/16/2012
411153	4UZAB2DTXDC	2013 VT	DP	3433 FL	10/12/2012	10/23/2012
411154	4UZFCHBS8DC	2013 VT	DP	4346 FL	10/24/2012	10/31/2012
411155	4UZFCHBS1DC	2013 VT	DP	4018 FL	10/31/2012	11/8/2012
411156	4UZFCHBS8DC	2013 VT	DP	4018 FL	11/27/2012	12/5/2012
411157	4UZFCHBSXDC	2013 VT	DP	4018 FL	11/26/2012	12/4/2012
411158	4UZFCHBS9DC	2013 VT	DP	4038 FL	11/7/2012	11/14/2012
411159	4UZAB2DT9DC	2013 VT	DP	3434 FL	10/18/2012	10/29/2012
411160	4UZAB2DT7DC	2013 VT	DP	3434 FL	11/14/2012	11/26/2012
411161	4UZAB2DT4DC	2013 VT	DP	3434 FL	11/19/2012	11/28/2012
411162	4UZFCHBS6DC	2013 VT	DP	4346 FL	12/17/2012	1/9/2013
411163	4UZAB2DT3DC	2013 VT	DP	3433 FL	11/1/2012	11/9/2012
411164	4UZAB2DT6DC	2013 VT	DP	3634 FL	11/15/2012	11/26/2012
411165	4UZFCHBS6DC	2013 VT	DP	4038 FL	12/12/2012	12/20/2012
411166	4UZFCHBS8DC	2013 VT	DP	4346 FL	11/20/2012	11/29/2012
411167	4UZFCHBS7DC	2013 VT	DP	4324 FL	11/21/2012	12/3/2012
411168	4UZAB2DT8DC	2013 VT	DP	3434 FL	11/26/2012	12/3/2012
411169	4UZAB2DT4DC	2013 VT	DP	3433 FL	12/18/2012	1/9/2013
411170	4UZFCHBS6DC	2013 VT	DP	4346 FL	12/18/2012	1/10/2013
411171	4UZAB2DT5DC	2013 VT	DP	3434 FL	11/5/2012	11/12/2012
411172	4UZFCHBSXDC	2013 VT	DP	4038 FL	11/29/2012	12/6/2012
411173	4UZAB2DT7DC	2013 VT	DP	3434 FL	12/19/2012	1/11/2013
411174	4UZAB2DT8DC	2013 VL	DP	3862 F	12/6/2012	12/13/2012
411175	4UZAB2DTXDC	2013 VL	DP	3434 FL	11/27/2012	12/4/2012
411176	4UZFCHBS8DC	2013 VT	DP	4346 FL	1/7/2013	1/15/2013
411177	4UZAB2DT2DC	2013 VT	DP	3634 FL	1/11/2013	1/21/2013
411178	4UZAB2DT6DC	2013 VT	DP	3634 FL	12/4/2012	12/11/2012
411180	4UZFCHBS7DC	2013 VT	DP	4018 FL	11/29/2012	12/6/2012
411181	4UZAB2DT8DC	2013 VL	DP	3433 FL	11/28/2012	12/5/2012
411183	4UZAB2DT6DC	2013 VT	DP	3434 FL	11/20/2012	11/30/2012

411184	4UZFHBS8DC	[REDACTED]	2013 VT	DP	4018 FL	12/3/2012	12/11/2012
411185	4UZAB2DT4DC	[REDACTED]	2013 VT	DP	3433 FL	1/21/2013	1/29/2013
411186	4UZFHBS8DC	[REDACTED]	2013 VT	DP	4018 FL	12/17/2012	1/8/2013
411187	4UZAB2DT8DC	[REDACTED]	2013 VL	DP	3434 FL	12/20/2012	1/14/2013
411188	4UZAB2DTXDC	[REDACTED]	2013 VT	DP	3434 FL	12/4/2012	12/12/2012
411194	4UZFHBS4DC	[REDACTED]	2013 VT	DP	4018 FL	12/7/2012	12/17/2012
411195	4UZFHBS9EC	[REDACTED]	2013 VT	DP	4018 FL	1/16/2013	1/24/2013
411196	4UZAB2DT2DC	[REDACTED]	2013 VT	DP	3434 FL	1/23/2013	1/31/2013
411197	4UZAB2DT3DC	[REDACTED]	2013 VT	DP	3634 FL	1/28/2013	2/5/2013
411198	4UZAB2DT0DC	[REDACTED]	2013 VT	DP	3434 FL	1/18/2013	1/28/2013
411199	4UZAB2DT0EC	[REDACTED]	2014 VL	DP	3850 FL	1/31/2013	2/8/2013
411202	4UZFCHCY3EC	[REDACTED]	2014 VT	DP	4369 FL	2/5/2013	2/14/2013
411203	4UZFHBS4DC	[REDACTED]	2013 VT	DP	4018 FL	1/9/2013	1/17/2013
411204	4UZAB2DT8DC	[REDACTED]	2013 VT	DP	3434 FL	1/15/2013	1/23/2013
411205	4UZAB2DT0DC	[REDACTED]	2013 VL	DP	3434 FL	2/18/2013	2/26/2013
411206	4UZAB2DT4DC	[REDACTED]	2013 VL	DP	3434 FL	2/4/2013	2/13/2013
411207	4UZFHBS1EC	[REDACTED]	2013 VT	DP	4018 FL	1/17/2013	1/25/2013
411208	4UZAB2DT1DC	[REDACTED]	2013 VL	DP	3862 FL	1/11/2013	1/21/2013
411211	4UZAB2DTXDC	[REDACTED]	2013 VT	DP	3433 FL	2/7/2013	2/15/2013
411212	4UZFHBS7DC	[REDACTED]	2013 VT	DP	4018 F	1/8/2013	1/16/2013
411214	4UZAB2DT2DC	[REDACTED]	2013 VT	DP	3434 FL	2/7/2013	2/18/2013
411215	4UZFHBS5EC	[REDACTED]	2013 VT	DP	4018 FL	2/8/2013	2/19/2013
411216	4UZAB2DT5DC	[REDACTED]	2013 VT	DP	3434 FL	2/12/2013	2/20/2013
411217	4UZFHBS4EC	[REDACTED]	2013 VT	DP	4018 FL	1/21/2013	1/29/2013
411218	4UZAB2DT4DC	[REDACTED]	2013 VT	DP	3434 FL	2/14/2013	2/22/2013
411221	4UZAB2DT5DC	[REDACTED]	2013 VT	DP	3634 FL	2/15/2013	2/25/2013
411222	4UZFHBS3EC	[REDACTED]	2013 VT	DP	4038 FL	1/25/2013	2/4/2013
411223	4UZAB2DT6DC	[REDACTED]	2013 VL	DP	3634 FL	2/21/2013	3/4/2013
411224	4UZAB2DT6EC	[REDACTED]	2013 VT	DP	3634 FL	3/12/2013	3/20/2013
411225	4UZACHDT0EC	[REDACTED]	2013 VT	DP	3434 FL	4/15/2013	4/22/2013
411226	4UZAB2DT3DC	[REDACTED]	2013 VT	DP	3434 FL	3/1/2013	3/12/2013
411227	4UZAB2DT8EC	[REDACTED]	2013 VT	DP	3634 FL	3/14/2013	3/21/2013
411228	4UZAB2DT7EC	[REDACTED]	2013 VT	DP	3634 FL	3/15/2013	3/25/2013
411229	4UZFHBSXEC	[REDACTED]	2013 VT	DP	4018 FL	3/21/2013	4/1/2013
411230	4UZFHBS7DC	[REDACTED]	2013 VT	DP	4346 FL	3/7/2013	3/15/2013
411231	4UZAB2DT8EC	[REDACTED]	2013 VT	DP	3434 FL	3/14/2013	3/22/2013
411232	4UZAB2DT9EC	[REDACTED]	2013 VT	DP	3434 FL	4/1/2013	4/9/2013
411233	4UZAB2DT0EC	[REDACTED]	2013 VT	DP	3433 FL	3/25/2013	4/3/2013
411234	4UZAB2DT7EC	[REDACTED]	2013 VT	DP	3434 FL	3/26/2013	4/4/2013
411235	4UZFHBS0EC	[REDACTED]	2013 VT	DP	4018 FL	4/2/2013	4/10/2013
411236	4UZAB2DT1DC	[REDACTED]	2013 VT	DP	3434 FL	3/26/2013	4/4/2013
411237	4UZACHDT0EC	[REDACTED]	2013 VT	DP	3434 FL	4/15/2013	4/23/2013
411238	4UZACHDT8EC	[REDACTED]	2013 VT	DP	3434 FL	4/17/2013	4/25/2013
411239	4UZAB2DT9EC	[REDACTED]	2013 VT	DP	3434 FL	3/20/2013	3/28/2013
411240	4UZFHBS7EC	[REDACTED]	2013 VT	DP	4018 FL	4/9/2013	4/16/2013
411241	4UZAB2DT2EC	[REDACTED]	2013 VT	DP	3434 FL	3/15/2013	3/22/2013
411242	4UZFHBS1EC	[REDACTED]	2013 VT	DP	4018 FL	3/22/2013	4/2/2013
411243	4UZFHBSXEC	[REDACTED]	2013 VT	DP	4018 FL	4/22/2013	4/30/2013
411244	4UZFHBS8EC	[REDACTED]	2013 VT	DP	4018 FL	4/9/2013	4/17/2013
411245	4UZAB2DT0EC	[REDACTED]	2013 VT	DP	3433 FL	4/4/2013	4/12/2013
411247	4UZAB2DT2EC	[REDACTED]	2013 VT	DP	3434 FL	4/10/2013	4/18/2013
411248	4UZFHBS9DC	[REDACTED]	2013 VT	DP	4346 FL	4/11/2013	4/18/2013

411249	4UZAB2DT4EC	[REDACTED]	2013 VT	DP	3434 FL	4/8/2013	4/15/2013
411251	4UZACHDT6EC	[REDACTED]	2013 VT	DP	3434 FL	4/11/2013	4/19/2013
411252	4UZACHDT1EC	[REDACTED]	2013 VT	DP	3434 FL	4/16/2013	4/24/2013
411253	4UZACHDTXEC	[REDACTED]	2013 VT	DP	3634 FL	4/4/2013	4/11/2013
411254	4UZACHDT7EC	[REDACTED]	2013 VT	DP	3433 FL	4/18/2013	4/25/2013
411255	4UZFCHBS3EC	[REDACTED]	2013 VT	DP	4346 FL	4/24/2013	5/2/2013
411256	4UZFCHBS9EC	[REDACTED]	2013 VT	DP	4346 FL	4/25/2013	5/2/2013
411257	4UZACHDT2EC	[REDACTED]	2013 VT	DP	3433 FL	4/18/2013	4/26/2013
411259	4UZFCHBS4EC	[REDACTED]	2013 VT	DP	4346 FL	5/2/2013	5/13/2013
411260	4UZACHDT2EC	[REDACTED]	2013 VT	DP	3434 FL	4/30/2013	5/7/2013
411261	4UZFCHBSXDC	[REDACTED]	2013 VT	DP	4018 FL	5/3/2013	5/14/2013
411262	4UZACHDT0EC	[REDACTED]	2014 VT	DP	3436 FL	5/3/2013	5/14/2013
411264	4UZACHDTXEC	[REDACTED]	2014 VT	DP	3436 FL	5/28/2013	6/6/2013
411265	4UZACHDT1EC	[REDACTED]	2014 VT	DP	3634 FL	5/31/2013	6/11/2013
411266	4UZFCHCY7EC	[REDACTED]	2014 VT	DP	4037 FL	6/3/2013	6/12/2013
411267	4UZAB2DT3EC	[REDACTED]	2014 VL	DP	3849 FL	8/16/2013	8/26/2013
411268	4UZAB2DT9EC	[REDACTED]	2014 VL	DP	3433 FL	5/16/2013	5/28/2013
411269	4UZAB2DTXEC	[REDACTED]	2014 VL	DP	3634 FL	6/21/2013	7/9/2013
411270	4UZAB2DTXEC	[REDACTED]	2014 VL	DP	3436 FL	6/10/2013	6/18/2013
411271	4UZFCHCY7EC	[REDACTED]	2014 VT	DP	4037 FL	6/14/2013	6/24/2013
411272	4UZFCHCY2EC	[REDACTED]	2014 VT	DP	4377 FL	8/12/2013	8/21/2013
411273	4UZACHDT4EC	[REDACTED]	2014 VT	DP	3634 FL	5/29/2013	6/7/2013
411274	4UZAB2DT8EC	[REDACTED]	2014 VL	DP	3433 FL	6/13/2013	6/20/2013
411275	4UZAB2DT0EC	[REDACTED]	2014 VL	DP	3436 FL	5/20/2013	5/30/2013
411276	4UZFCHCY4EC	[REDACTED]	2014 VT	DP	4369 FL	6/11/2013	6/19/2013
411277	4UZAB2DT0EC	[REDACTED]	2014 VL	DP	3436 FL	5/30/2013	6/10/2013
411278	4UZAB2DT7EC	[REDACTED]	2014 VL	DP	3433 FL	8/23/2013	9/3/2013
411279	4UZAB2DT3EC	[REDACTED]	2014 VL	DP	3436 FL	8/9/2013	8/19/2013
411280	4UZACHDT7EC	[REDACTED]	2014 VT	DP	3436 FL	9/13/2013	9/24/2013
411281	4UZFCHCY7EC	[REDACTED]	2014 VT	DP	4037 FL	11/1/2013	11/12/2013
411282	4UZACHDT3EC	[REDACTED]	2014 VT	DP	3433 FL	8/19/2013	8/28/2013
411283	4UZAB2DT8EC	[REDACTED]	2014 VL	DP	3436 FL	6/24/2013	7/9/2013
411284	4UZFCHCY3EC	[REDACTED]	2014 VT	DP	4037 FL	6/18/2013	6/26/2013
411285	4UZACHDT1EC	[REDACTED]	2014 VT	DP	3436 FL	6/7/2013	6/13/2013
411286	4UZAB2DT5EC	[REDACTED]	2014 VL	DP	3436 FL	7/22/2013	7/30/2013
411287	4UZAB2DT2EC	[REDACTED]	2014 VL	DP	3436 FL	5/8/2013	5/20/2013
411288	4UZFCHCY6EC	[REDACTED]	2014 VT	DP	4037 FL	5/13/2013	5/22/2013
411289	4UZACHDT7EC	[REDACTED]	2014 VT	DP	3634 FL	5/13/2013	5/22/2013
411291	4UZFCHCY5EC	[REDACTED]	2014 VT	DP	4373 FL	6/6/2013	6/14/2013
411292	4UZFCHCY7EC	[REDACTED]	2014 VT	DP	4037 FL	6/19/2013	6/26/2013
411293	4UZAB2DTXEC	[REDACTED]	2014 VL	DP	3436 FL	6/25/2013	7/11/2013
411294	4UZFCHCY6EC	[REDACTED]	2014 VT	DP	4369 FL	7/8/2013	7/15/2013
411295	4UZAB2DT6EC	[REDACTED]	2014 VL	DP	3849 FL	6/14/2013	6/21/2013
411296	4UZFCHCY9EC	[REDACTED]	2014 VT	DP	4369 FL	7/8/2013	7/16/2013
411297	4UZFCHCY1EC	[REDACTED]	2014 VT	DP	4039 FL	8/29/2013	9/10/2013
411298	4UZACHDT9EC	[REDACTED]	2014 VT	DP	3436 FL	6/26/2013	7/12/2013
411299	4UZACHDT8EC	[REDACTED]	2014 VT	DP	3433 FL	7/9/2013	7/17/2013
411300	4UZFCHCY1EC	[REDACTED]	2014 VT	DP	4037 FL	5/17/2013	5/29/2013
411302	4UZAB2DT1EC	[REDACTED]	2014 VL	DP	3436 FL	6/26/2013	7/12/2013
411303	4UZFCHCY8EC	[REDACTED]	2014 VT	DP	4037 FL	6/12/2013	6/19/2013
411304	4UZFCHCY3EC	[REDACTED]	2014 VT	DP	4369 FL	6/12/2013	6/20/2013
411306	4UZAB2DT8EC	[REDACTED]	2014 VL	DP	3436 FL	5/14/2013	5/23/2013

411307	4UZFHCHYXEC	[REDACTED]	2014 VT	DP	4037 FL	5/6/2013	5/15/2013
411308	4UZFHCHY5EC	[REDACTED]	2014 VT	DP	4369 FL	5/7/2013	5/16/2013
411309	4UZACHDT2EC	[REDACTED]	2014 VT	DP	3436 FL	5/8/2013	5/20/2013
411310	4UZFHCHY1EC	[REDACTED]	2014 VT	DP	4369 FL	5/15/2013	5/24/2013
411311	4UZFHCHY4EC	[REDACTED]	2014 VT	DP	4037 FL	6/7/2013	6/17/2013
411312	4UZACHDT8EC	[REDACTED]	2014 VT	DP	3436 FL	7/15/2013	7/24/2013
411313	4UZACHDT8EC	[REDACTED]	2014 VT	DP	3433 FL	8/13/2013	8/22/2013
411314	4UZFHCHY2EC	[REDACTED]	2014 VT	DP	4037 FL	7/23/2013	7/31/2013
411315	4UZFHCHY0EC	[REDACTED]	2014 VT	DP	4373 FL	7/16/2013	7/24/2013
411316	4UZACHDT4EC	[REDACTED]	2014 VT	DP	3433 FL	7/24/2013	8/1/2013
411317	4UZAB2DT8EC	[REDACTED]	2014 VL	DP	3433 FL	7/23/2013	7/31/2013
411318	4UZAB2DT1EC	[REDACTED]	2014 VL	DP	3845 FL	7/29/2013	8/5/2013
411319	4UZAB2DT3EC	[REDACTED]	2014 VL	DP	3436 FL	7/15/2013	7/23/2013
411320	4UZFHCHY9EC	[REDACTED]	2014 VT	DP	4037 FL	6/12/2013	6/20/2013
411321	4UZACHDT6EC	[REDACTED]	2014 VT	DP	3436 FL	7/26/2013	8/5/2013
411322	4UZAB2DT1EC	[REDACTED]	2014 VL	DP	3436 FL	6/18/2013	6/25/2013
411323	4UZAB2DTXEC	[REDACTED]	2014 VL	DP	3433 FL	7/25/2013	8/2/2013
411324	4UZFHCHY3EC	[REDACTED]	2014 VT	DP	4037 FL	7/19/2013	7/29/2013
411325	4UZFHCHY7EC	[REDACTED]	2014 VT	DP	4037 FL	7/17/2013	7/26/2013
411326	4UZAB2DT8EC	[REDACTED]	2014 VL	DP	3845 FL	8/2/2013	8/9/2013
411327	4UZAB2DT2EC	[REDACTED]	2014 VL	DP	3634 FL	8/7/2013	8/15/2013
411328	4UZAB2DT8EC	[REDACTED]	2014 VL	DP	3436 FL	7/30/2013	8/7/2013
411329	4UZAB2DT1EC	[REDACTED]	2014 VL	DP	3433 FL	8/12/2013	8/20/2013
411330	4UZACHDT0EC	[REDACTED]	2014 VT	DP	3436 FL	8/26/2013	9/5/2013
411331	4UZFHCHY1EC	[REDACTED]	2014 VT	DP	4037 FL	8/23/2013	9/4/2013
411332	4UZACHDT1EC	[REDACTED]	2014 VT	DP	3634 FL	7/30/2013	8/7/2013
411333	4UZAB2DT4EC	[REDACTED]	2014 VL	DP	3436 FL	8/26/2013	9/4/2013
411334	4UZFHCHY2EC	[REDACTED]	2014 VT	DP	4037 FL	9/6/2013	9/16/2013
411335	4UZACHDT7EC	[REDACTED]	2014 VT	DP	3436 FL	8/20/2013	8/29/2013
411336	4UZAB2DT6EC	[REDACTED]	2014 VL	DP	3433 FL	8/19/2013	8/27/2013
411337	4UZACHDT3EC	[REDACTED]	2014 VT	DP	3634 FL	8/21/2013	8/29/2013
411338	4UZFHCHYXEC	[REDACTED]	2014 VT	DP	4037 FL	8/22/2013	8/30/2013
411339	4UZFHCHYXEC	[REDACTED]	2014 VT	DP	4037 FL	8/22/2013	9/3/2013
411340	4UZAB2DT1EC	[REDACTED]	2014 VL	DP	3436 FL	8/27/2013	9/6/2013
411341	4UZFHCHY9EC	[REDACTED]	2014 VT	DP	4037 FL	7/10/2013	7/18/2013
411342	4UZAB2DT0EC	[REDACTED]	2014 VL	DP	3847 FL	10/21/2013	10/30/2013
411343	4UZACHDT3EC	[REDACTED]	2014 VT	DP	3436 FL	7/11/2013	7/19/2013
411344	4UZACHDT6EC	[REDACTED]	2014 VT	DP	3436 FL	7/25/2013	8/2/2013
411345	4UZAB2DT8EC	[REDACTED]	2014 VL	DP	3847 FL	8/30/2013	9/11/2013
411346	4UZFHCHY5EC	[REDACTED]	2014 VT	DP	4037 FL	6/20/2013	6/27/2013
411347	4UZFHCHY0EC	[REDACTED]	2014 VT	DP	4369 FL	7/18/2013	7/26/2013
411348	4UZFHCHY1EC	[REDACTED]	2014 VT	DP	4369 FL	8/8/2013	8/16/2013
411351	4UZFHCHY4EC	[REDACTED]	2014 VT	DP	4373 FL	8/8/2013	8/19/2013
411352	4UZACHDT5EC	[REDACTED]	2014 VT	DP	3436 FL	8/16/2013	8/27/2013
411353	4UZFHCHY1EC	[REDACTED]	2014 VT	DP	4037 FL	6/27/2013	7/15/2013
411354	4UZFHCHY5EC	[REDACTED]	2014 VT	DP	4037 FL	7/12/2013	7/22/2013
411355	4UZAB2DT4EC	[REDACTED]	2014 VL	DP	3845 FL	8/6/2013	8/16/2013
411356	4UZFHCHY3EC	[REDACTED]	2014 VT	DP	4369 FL	8/6/2013	8/14/2013
411357	4UZACHDT6EC	[REDACTED]	2014 VT	DP	3436 FL	7/11/2013	7/19/2013
411358	4UZACHDT6EC	[REDACTED]	2014 VT	DP	3634 FL	7/12/2013	7/22/2013
411359	4UZFHCHY3EC	[REDACTED]	2014 VT	DP	4037 FL	8/28/2013	9/9/2013
411360	4UZFHCHY7EC	[REDACTED]	2014 VT	DP	4369 FL	9/5/2013	9/16/2013

411361	4UZFCHCY0EC	[REDACTED]	2014 VT	DP	4037 FL	9/16/2013	9/25/2013
411362	4UZACHDT3EC	[REDACTED]	2014 VT	DP	3436 FL	9/9/2013	9/17/2013
411366	4UZAB2DTXEC	[REDACTED]	2014 VL	DP	3634 FL	9/3/2013	9/12/2013
411367	4UZAB2DT1EC	[REDACTED]	2014 VL	DP	3436 FL	9/20/2013	9/30/2013
411368	4UZFCHCY9EC	[REDACTED]	2014 VT	DP	4037 FL	9/19/2013	9/30/2013
411369	4UZACHDTXEC	[REDACTED]	2014 VT	DP	3433 FL	9/24/2013	10/3/2013
411370	4UZACHDT4EC	[REDACTED]	2014 VT	DP	3436 FL	9/11/2013	9/19/2013
411371	4UZAB2DTXEC	[REDACTED]	2014 VL	DP	3847 FL	9/6/2013	9/17/2013
411372	4UZFCHCY4EC	[REDACTED]	2014 VT	DP	4037 FL	8/5/2013	8/12/2013
411373	4UZFCHCY2EC	[REDACTED]	2014 VT	DP	4369 FL	8/2/2013	8/12/2013
411374	4UZFCHCY4EC	[REDACTED]	2014 VT	DP	4369 FL	9/17/2013	9/26/2013
411375	4UZACHDT9EC	[REDACTED]	2014 VT	DP	3436 FL	9/25/2013	10/3/2013
411376	4UZFCHCY1EC	[REDACTED]	2014 VT	DP	4369 FL	9/30/2013	10/9/2013
411377	4UZAB2DT7EC	[REDACTED]	2014 VL	DP	3433 FL	10/7/2013	10/16/2013
411378	4UZAB2DT1EC	[REDACTED]	2014 VL	DP	3847 FL	9/17/2013	9/25/2013
411379	4UZFCHCY9EC	[REDACTED]	2014 VT	DP	4039 FL	9/11/2013	9/20/2013
411380	4UZFCHCY0EC	[REDACTED]	2014 VT	DP	4369 FL	9/18/2013	9/27/2013
411381	4UZFCHCY5EC	[REDACTED]	2014 VT	DP	4036 FL	9/20/2013	10/1/2013
411382	4UZAB2DT2EC	[REDACTED]	2014 VL	DP	3849 FL	10/14/2013	10/23/2013
411383	4UZFCHCY8EC	[REDACTED]	2014 VT	DP	4369 FL	10/1/2013	10/10/2013
411384	4UZAB2DT4EC	[REDACTED]	2014 VL	DP	3436 FL	9/27/2013	10/8/2013
411385	4UZAB2DT1EC	[REDACTED]	2014 VL	DP	3436 FL	9/30/2013	10/9/2013
411386	4UZFCHCY4EC	[REDACTED]	2014 VT	DP	4039 FL	9/25/2013	10/4/2013
411387	4UZFCHCY7EC	[REDACTED]	2014 VT	DP	4036 FL	9/26/2013	10/7/2013
411388	4UZFCHCYXEC	[REDACTED]	2014 VT	DP	4037 FL	10/10/2013	10/21/2013
411389	4UZACHDTXEC	[REDACTED]	2014 VT	DP	3634 FL	10/14/2013	10/22/2013
411390	4UZACHDTXEC	[REDACTED]	2014 VT	DP	3634 FL	10/3/2013	10/14/2013
411391	4UZACHDT9EC	[REDACTED]	2014 VT	DP	3433 FL	9/12/2013	9/23/2013
411392	4UZAB2DT9EC	[REDACTED]	2014 VL	DP	3634 FL	10/25/2013	11/4/2013
411393	4UZAB2DT7EC	[REDACTED]	2014 VL	DP	3436 FL	10/22/2013	10/30/2013
411394	4UZAB2DT7EC	[REDACTED]	2014 VL	DP	3850 FL	11/18/2013	11/27/2013
411395	4UZAB2DT2EC	[REDACTED]	2014 VL	DP	3845 FL	11/8/2013	11/18/2013
411396	4UZFCHCY1EC	[REDACTED]	2014 VT	DP	4369 FL	11/18/2013	11/26/2013
411397	4UZFCHCY7EC	[REDACTED]	2014 VT	DP	4369 FL	10/21/2013	10/30/2013
411398	4UZFCHCY4EC	[REDACTED]	2014 VT	DP	4369 FL	11/19/2013	11/27/2013
411399	4UZFCHCYXEC	[REDACTED]	2014 VT	DP	4369 FL	11/19/2013	12/2/2013
411400	4UZFCHCY4EC	[REDACTED]	2014 VT	DP	4369 FL	11/21/2013	12/3/2013
411401	4UZFCHCY3EC	[REDACTED]	2014 VT	DP	4369 FL	11/20/2013	12/2/2013
411402	4UZFCHCY1EC	[REDACTED]	2014 VT	DP	4373 FL	11/25/2013	12/6/2013
411403	4UZFCHCY5EC	[REDACTED]	2014 VT	DP	4037 FL	11/5/2013	11/13/2013
411404	4UZFCHCY7EC	[REDACTED]	2014 VT	DP	4037 FL	10/15/2013	10/24/2013
411405	4UZACHDT4EC	[REDACTED]	2014 VT	DP	3436 FL	10/9/2013	10/18/2013
411406	4UZACHDT6EC	[REDACTED]	2014 VT	DP	3436 FL	10/16/2013	10/25/2013
411407	4UZACHDT7EC	[REDACTED]	2014 VT	DP	3634 FL	10/23/2013	11/1/2013
411408	4UZACHDT1EC	[REDACTED]	2014 VT	DP	3634 FL	10/24/2013	11/1/2013
411409	4UZFCHCY8EC	[REDACTED]	2014 VT	DP	4369 FL	11/21/2013	12/4/2013
411410	4UZFCHCY8EC	[REDACTED]	2014 VT	DP	4037 FL	10/4/2013	10/15/2013
411414	4UZACHDT8EC	[REDACTED]	2014 VT	DP	3436 FL	10/9/2013	10/18/2013
411415	4UZFCHCY6EC	[REDACTED]	2014 VT	DP	4037 FL	11/11/2013	11/19/2013
411416	4UZFCHCY4EC	[REDACTED]	2014 VT	DP	4037 FL	11/4/2013	11/13/2013
411417	4UZACHDT2EC	[REDACTED]	2014 VT	DP	3436 FL	9/23/2013	10/1/2013
411418	4UZFCHCY0EC	[REDACTED]	2014 VT	DP	4369 FL	11/12/2013	11/20/2013

411419	4UZFHCHYXEC	[REDACTED]	2014 VT	DP	4037 FL	12/9/2013	12/17/2013
411420	4UZAB2DT7EC	[REDACTED]	2014 VL	DP	3847 FL	10/2/2013	10/11/2013
411421	4UZFHCHY5EC	[REDACTED]	2014 VT	DP	4037 FL	10/18/2013	10/29/2013
411422	4UZACHDT6EC	[REDACTED]	2014 VT	DP	3634 FL	12/4/2013	12/12/2013
411423	4UZFHCHY9EC	[REDACTED]	2014 VT	DP	4369 FL	10/28/2013	11/5/2013
411425	4UZFHCHY2EC	[REDACTED]	2014 VT	DP	4369 FL	11/6/2013	11/14/2013
411427	4UZACHDT7EC	[REDACTED]	2014 VT	DP	3436 FL	12/10/2013	12/18/2013
411429	4UZAB2DT8EC	[REDACTED]	2014 VL	DP	3850 FL	11/11/2013	11/19/2013
411430	4UZFHCHY9EC	[REDACTED]	2014 VT	DP	4360 FL	10/30/2013	11/7/2013
411431	4UZFHCHY7EC	[REDACTED]	2014 VT	DP	4037 FL	11/7/2013	11/15/2013
411432	4UZAB2DTXEC	[REDACTED]	2014 VL	DP	3436 FL	11/12/2013	11/20/2013
411433	4UZAB2DT7EC	[REDACTED]	2014 VL	DP	3847 FL	12/6/2013	12/16/2013
411434	4UZFHCHY6EC	[REDACTED]	2014 VT	DP	4037 FL	11/12/2013	11/21/2013
411435	4UZFHCHY2EC	[REDACTED]	2014 VT	DP	4036 FL	12/4/2013	12/12/2013
411436	4UZFHCHY4EC	[REDACTED]	2014 VT	DP	4037 FL	10/17/2013	10/28/2013
411437	4UZFHCHY4EC	[REDACTED]	2014 VT	DP	4037 FL	11/14/2013	11/25/2013
411438	4UZFHCHY6EC	[REDACTED]	2014 VT	DP	4037 FL	12/11/2013	12/19/2013
411439	4UZFHCHY8EC	[REDACTED]	2014 VT	DP	4369 FL	12/11/2013	12/19/2013
411440	4UZFHCHY0EC	[REDACTED]	2014 VT	DP	4377 FL	10/31/2013	11/8/2013
411441	4UZFHCHY5EC	[REDACTED]	2014 VT	DP	4369 FL	12/12/2013	1/8/2014
411442	4UZFHCHY3EC	[REDACTED]	2014 VT	DP	4369 FL	11/15/2013	11/25/2013
411444	4UZFHCHY4EC	[REDACTED]	2014 VT	DP	4369 FL	12/2/2013	12/10/2013
411445	4UZFHCHY3EC	[REDACTED]	2014 VT	DP	4037 FL	12/12/2013	1/8/2014
411446	4UZAB2DT3EC	[REDACTED]	2014 VL	DP	3436 FL	11/25/2013	12/5/2013
411448	4UZAB2DT7EC	[REDACTED]	2014 VL	DP	3849 FL	12/13/2013	1/13/2014
411450	4UZACHDT6EC	[REDACTED]	2014 VT	DP	3436 FL	12/12/2013	1/9/2014
411454	4UZFHCHY1EC	[REDACTED]	2014 VT	DP	4037 FL	12/17/2013	1/13/2014
411455	4UZAB2DT1EC	[REDACTED]	2014 VL	DP	3436 FL	11/15/2013	11/26/2013
411458	4UZAB2DT4EC	[REDACTED]	2014 VL	DP	3436 FL	12/2/2013	12/11/2013
411459	4UZFHCHY7EC	[REDACTED]	2014 VT	DP	4369 FL	12/17/2013	1/13/2014
411463	4UZACHDT6EC	[REDACTED]	2014 VT	DP	3634 FL	1/9/2013	1/17/2014
411465	4UZFHCHYXEC	[REDACTED]	2014 VT	DP	4037 FL	12/18/2013	1/14/2014
411467	4UZACHDT8EC	[REDACTED]	2014 VT	DP	3436 FL	12/3/2013	12/11/2013
411471	4UZACHDT9EC	[REDACTED]	2014 VT	DP	3634 FL	12/18/2013	1/14/2014
411472	4UZACHDT9EC	[REDACTED]	2014 VT	DP	3433 FL	11/27/2013	12/10/2013
411482	4UZACHDT4EC	[REDACTED]	2014 VT	DP	3436 FL	12/2/2013	12/10/2013
411496	4UZACHDT8EC	[REDACTED]	2014 VT	DP	3634 FL	12/19/2013	1/15/2014
411500	4UZACHDT6EC	[REDACTED]	2014 VT	DP	3634 FL	12/19/2013	1/15/2014
411506	4UZACHDTXEC	[REDACTED]	2014 VT	DP	3436 FL	11/27/2013	12/9/2013
603865	4VZBT1D918C	[REDACTED]	2008 DS	DP	4304 S	5/31/2007	6/12/2007
603866	4VZBT1D948C	[REDACTED]	2008 DS	DP	4320 S	5/29/2007	6/6/2007
603882	4VZBR1D958C	[REDACTED]	2008 DS	DP	4035 S	6/1/2007	6/13/2007
603884	4VZBT1D938C	[REDACTED]	2008 DS	DP	4317 S	6/7/2007	6/19/2007
603885	4VZBR1D9X8C	[REDACTED]	2008 DS	DP	4023 S	6/1/2007	6/13/2007
603887	4VZBT1D918C	[REDACTED]	2008 DS	DP	4304 S	6/18/2007	7/11/2007
603889	4VZBT1D918C	[REDACTED]	2008 DS	DP	4317 S	7/31/2007	8/13/2007
603890	4VZBT1D9X8C	[REDACTED]	2008 DS	DP	4317 S	6/14/2007	6/26/2007
603891	4VZBT1D998C	[REDACTED]	2008 DS	DP	4354 S	6/26/2007	7/19/2007
603892	4VZBR1D908C	[REDACTED]	2008 DS	DP	4023 S	7/12/2007	7/24/2007
603893	4VZBR1D928C	[REDACTED]	2008 DS	DP	4023 S	6/25/2007	7/17/2007
603894	4VZBR1D918C	[REDACTED]	2008 DS	DP	4023 S	6/27/2007	7/18/2007
603895	4VZBT1D978C	[REDACTED]	2008 DS	DP	4317 S	6/25/2007	7/16/2007

603896	4VZBT1D908C	2008 DS	DP	4304 S	7/11/2007	7/23/2007
603897	4VZBT1D998C	2008 DS	DP	4304 S	10/8/2007	10/18/2007
603898	4VZBR1D908C	2008 DS	DP	4023 S	6/21/2007	7/13/2007
603899	4VZBR1D978C	2008 DS	DP	4023 S	7/26/2007	8/7/2007
603900	4VZBT1D928C	2008 DS	DP	4304 S	7/12/2007	7/23/2007
603901	4VZBT1D9X8C	2008 DS	DP	4317 S	7/17/2007	7/26/2007
603902	4VZBT1D988C	2008 DS	DP	4304 S	7/17/2007	7/30/2007
603903	4VZBR1D988C	2008 DS	DP	4023 S	7/30/2007	8/8/2007
603904	4VZBT1D928C	2008 DS	DP	4354 S	7/19/2007	8/1/2007
603905	4VZBT1D958C	2008 DS	DP	4317 S	7/19/2007	7/31/2007
603907	4VZBT1D968C	2008 DS	DP	4304 S	7/24/2007	8/2/2007
603908	4VZBT1D948C	2008 DS	DP	4354 S	7/23/2007	8/1/2007
603909	4VZBT1D9X8C	2008 DS	DP	4304 S	7/25/2007	8/6/2007
603911	4VZBT1D918C	2008 DS	DP	4320 S	7/31/2007	8/13/2007
603913	4VZBT1D9X8C	2008 DS	DP	4320 S	7/31/2007	8/9/2007
603914	4VZBT1D988C	2008 DS	DP	4320 S	7/30/2007	8/9/2007
603915	4VZBT1D968C	2008 DS	DP	4304 S	8/16/2007	8/28/2007
603916	4VZBT1D908C	2008 DS	DP	4317 S	8/7/2007	8/16/2007
603917	4VZBT1D948C	2008 DS	DP	4355 S	8/7/2007	8/16/2007
603918	4VZBR1D958C	2008 DS	DP	4023 S	8/8/2007	8/20/2007
603919	4VZBR1D9X8C	2008 DS	DP	4035 S	7/30/2007	8/9/2007
603920	4VZBT1D938C	2008 DS	DP	4304 S	7/30/2007	8/8/2007
603921	4VZBT1D998C	2008 DS	DP	4304 S	8/6/2007	8/15/2007
603922	4VZBT1D908C	2008 DS	DP	4304 S	8/13/2007	8/22/2007
603923	4VZBR1D988C	2008 DS	DP	4023 S	8/8/2007	8/20/2007
603924	4VZBT1D958C	2008 DS	DP	4304 S	8/23/2007	9/5/2007
603925	4VZBT1D948C	2008 DS	DP	4304 S	8/15/2007	8/27/2007
603926	4VZBT1D948C	2008 DS	DP	4304 S	8/14/2007	8/23/2007
603927	4VZBT1D918C	2008 DS	DP	4320 S	9/6/2007	9/18/2007
603928	4VZBT1D928C	2008 DS	DP	4304 S	8/9/2007	8/21/2007
603929	4VZBT1D928C	2008 DS	DP	4304 S	8/20/2007	8/29/2007
603930	4VZBT1D938C	2008 DS	DP	4354 S	8/2/2007	8/14/2007
603931	4VZBR1D958C	2008 DS	DP	4024 S	9/13/2007	9/25/2007
603932	4VZBT1D988C	2008 DS	DP	4317 S	9/13/2007	9/25/2007
603933	4VZBT1D958C	2008 DS	DP	4304 S	8/2/2007	8/14/2007
603934	4VZBT1D978C	2008 DS	DP	4317 S	8/21/2007	8/30/2007
603935	4VZBT1D928C	2008 DS	DP	4304 S	8/13/2007	8/23/2007
603936	4VZBR1D938C	2008 DS	DP	4023 S	8/9/2007	8/21/2007
603937	4VZBR1D938C	2008 DS	DP	4023 S	9/12/2007	9/24/2007
603938	4VZBR1D998C	2008 DS	DP	4023 S	8/13/2007	8/22/2007
603939	4VZBR1D948C	2008 DS	DP	4023 S	8/20/2007	8/29/2007
603940	4VZBT1D978C	2008 DS	DP	4317 S	9/5/2007	9/17/2007
603941	4VZBT1D9X8C	2008 DS	DP	4355 S	8/29/2007	9/10/2007
603942	4VZBT1D948C	2008 DS	DP	4317 S	9/10/2007	9/19/2007
603943	4VZBT1D9X8C	2008 DS	DP	4317 S	9/18/2007	9/27/2007
603944	4VZBT1D988C	2008 DS	DP	4304 S	9/24/2007	10/3/2007
603945	4VZBR1D928C	2008 DS	DP	4023 S	8/16/2007	8/28/2007
603946	4VZBT1D968C	2008 DS	DP	4304 S	8/21/2007	8/30/2007
603947	4VZBT1D958C	2008 DS	DP	4354 S	8/22/2007	9/4/2007
603948	4VZBT1D938C	2008 DS	DP	4317 S	8/22/2007	9/4/2007
603954	4VZBT1D938C	2008 DS	DP	4304 S	9/7/2007	9/19/2007
603955	4VZBR1D968C	2008 DS	DP	4023 S	9/19/2007	10/1/2007

603956	4VZBT1D958C	2008 DS	DP	4320 S	9/17/2007	9/26/2007
603957	4VZBR1D918C	2008 DS	DP	4023 S	9/26/2007	10/9/2007
603958	4VZBR1D958C	2008 DS	DP	4023 S	10/3/2007	10/16/2007
603959	4VZBT1D968C	2008 DS	DP	4304 S	10/24/2007	11/5/2007
603960	4VZBT1D978C	2008 DS	DP	4320 S	10/1/2007	10/10/2007
603961	4VZBT1D908C	2008 DS	DP	4320 S	10/2/2007	10/11/2007
603962	4VZBT1D908C	2008 DS	DP	4304 S	10/10/2007	10/22/2007
603964	4VZBT1D948C	2008 DS	DP	4317 S	10/11/2007	10/23/2007
603966	4VZBR1D908C	2008 DS	DP	4055 S	10/11/2007	10/25/2007
603967	4VZBT1D9X8C	2008 DS	DP	4304 S	10/8/2007	10/17/2007
603968	4VZBR1D978C	2008 DS	DP	4023 S	10/4/2007	10/16/2007
603969	4VZBT1D978C	2008 DS	DP	4317 S	10/29/2007	11/7/2007
603970	4VZBR1D928C	2008 DS	DP	4023 S	10/17/2007	10/30/2007
603971	4VZBR1D988C	2008 DS	DP	4024 S	10/9/2007	10/18/2007
603972	4VZBT1D928C	2008 DS	DP	4317 S	10/22/2007	10/31/2007
603975	4VZBR1D9X8C	2008 DS	DP	4023 S	10/23/2007	11/1/2007
603976	4VZBT1D918C	2008 DS	DP	4304 S	10/25/2007	11/6/2007
603977	4VZBT1D9X8C	2008 DS	DP	4304 S	10/30/2007	11/8/2007
603978	4VZBT1D948C	2008 DS	DP	4317 S	10/25/2007	11/7/2007
603981	4VZBR1D969C	2009 DA	DP	4055 S	11/12/2007	11/28/2007
603983	4VZBT1D928C	2008 DS	DP	4330 S	10/15/2007	10/24/2007
603985	4VZBT1D968C	2008 DS	DP	4354 S	3/4/2008	3/19/2008
603986	4VZBR1D918C	2008 DS	DP	4023 S	10/31/2007	11/12/2007
603988	4VZBR1D988C	2008 DS	DP	4023 S	10/18/2007	11/1/2007
603989	4VZBT1D918C	2008 DS	DP	4320 S	11/12/2007	11/21/2007
603990	4VZBT1D958C	2008 DS	DP	4330 S	11/6/2007	11/15/2007
603992	4VZBT1D918C	2008 DS	DP	4304 S	11/7/2007	11/19/2007
603993	4VZBT1D938C	2008 DS	DP	4304 S	11/8/2007	11/20/2007
603996	4VZBT1D958C	2008 DS	DP	4304 S	11/7/2007	11/19/2007
603997	4VZBT1D978C	2008 DS	DP	4317 S	11/13/2007	11/21/2007
603998	4VZBT1D938C	2008 DS	DP	4304 S	11/5/2007	11/14/2007
604000	4VZBT1D938C	2008 DS	DP	4304 S	11/14/2007	11/28/2007
604001	4VZBT1D998C	2008 DS	DP	4317 S	11/13/2007	11/27/2007
604002	4VZBT1D958C	2008 DS	DP	4304 S	11/29/2007	12/10/2007
604003	4VZBR1D938C	2008 DS	DP	4055 S	11/15/2007	11/29/2007
604004	4VZBT1D998C	2008 DS	DP	4320 S	11/30/2007	12/10/2007
604005	4VZBT1D998C	2008 DS	DP	4317 S	12/3/2007	12/13/2007
604007	4VZBR1D918C	2008 DS	DP	4055 S	11/27/2007	12/5/2007
604008	4VZBT1D908C	2008 DS	DP	4304 S	11/30/2007	12/11/2007
604009	4VZBR1D9X8C	2008 DS	DP	4023 S	11/19/2007	11/30/2007
604010	4VZBT1D918C	2008 DS	DP	4317 S	11/21/2007	12/4/2007
604011	4VZBT1D978C	2008 DS	DP	4320 S	11/15/2007	11/29/2007
604012	4VZBT1D958C	2008 DS	DP	4330 S	11/20/2007	12/3/2007
604013	4VZBT1D938C	2008 DS	DP	4304 S	11/20/2007	12/3/2007
604014	4VZBT1D998C	2008 DS	DP	4304 S	11/19/2007	11/30/2007
604016	4VZBT1D988C	2008 DS	DP	4320 S	12/4/2007	12/17/2007
604017	4VZBR1D938C	2008 DS	DP	4023 S	12/5/2007	12/17/2007
604018	4VZBT1D948C	2008 DS	DP	4304 S	12/11/2007	1/8/2008
604019	4VZBR1D998C	2008 DS	DP	4035 S	12/6/2007	12/18/2007
604020	4VZBT1D9X8C	2008 DS	DP	4304 S	12/3/2007	12/12/2007
604021	4VZBT1D968C	2008 DS	DP	4330 S	12/4/2007	12/13/2007
604022	4VZBR1D9X8C	2008 DS	DP	4023 S	12/10/2007	12/19/2007

604023	4VZBT1D928C	2008 DS	DP	4304 S	11/30/2007	12/11/2007
604024	4VZBT1D9X8C	2008 DS	DP	4304 S	12/10/2007	12/19/2007
604025	4VZBT1D9X8C	2008 DS	DP	4304 S	12/13/2007	1/14/2008
604026	4VZBR1D948C	2008 DS	DP	4023 S	12/17/2007	1/14/2008
604027	4VZBR1D988C	2008 DS	DP	4024 S	12/10/2007	12/19/2007
604028	4VZBT1D918C	2008 DS	DP	4317 S	12/11/2007	1/8/2008
604029	4VZBT1D968C	2008 DS	DP	4304 S	12/10/2007	1/9/2008
604030	4VZBT1D988C	2008 DS	DP	4304 S	12/13/2007	1/10/2008
604037	4VZBT1D928C	2008 DS	DP	4317 S	1/21/2008	2/11/2008
604038	4VZBT1D918C	2008 DS	DP	4304 S	1/9/2008	1/21/2008
604040	4VZBT1D958C	2008 DS	DP	4320 S	1/17/2008	1/30/2008
604041	4VZBT1D978C	2008 DS	DP	4317 S	1/16/2008	1/29/2008
604042	4VZBT1D998C	2008 DS	DP	4304 S	1/21/2008	2/11/2008
604043	4VZBR1D9X8C	2008 DS	DP	4035 S	1/16/2008	1/30/2008
604044	4VZBT1D918C	2008 DS	DP	4320 S	1/14/2008	1/23/2008
604045	4VZBT1D998C	2008 DS	DP	4317 S	1/28/2008	2/18/2008
604048	4VZBT1D938C	2008 DS	DP	4317 S	1/15/2008	1/28/2008
604049	4VZBR1D988C	2008 DS	DP	4023 S	1/16/2008	1/29/2008
604050	4VZBT1D968C	2008 DS	DP	4304 S	1/22/2008	2/12/2008
604051	4VZBT1D948C	2008 DS	DP	4320 S	1/22/2008	2/13/2008
604052	4VZBT1D978C	2008 DS	DP	4355 S	1/28/2008	2/18/2008
604056	4VZBT1D968C	2009 DA	DP	4331 S	2/14/2008	2/26/2008
604057	4VZBT1D908C	2008 DS	DP	4304 S	1/29/2008	2/19/2008
604058	4VZBT1D958C	2008 DS	DP	4355 S	1/29/2008	2/19/2008
604059	4VZBT1D978C	2008 DS	DP	4304 S	1/29/2008	2/19/2008
604060	4VZBR1D958C	2008 DS	DP	4055 S	2/13/2008	3/3/2008
604061	4VZBR1D938C	2008 DS	DP	4023 S	2/12/2008	2/27/2008
604062	4VZBR1D968C	2008 DS	DP	4055 S	2/20/2008	3/12/2008
604063	4VZBT1D928C	2008 DS	DP	4317 S	3/4/2008	3/19/2008
604064	4VZBR1D998C	2008 DS	DP	4055 S	2/20/2008	3/11/2008
604065	4VZBR1D958C	2008 DS	DP	4023 S	2/20/2008	3/12/2008
604066	4VZBT1D908C	2008 DS	DP	4317 S	2/19/2008	3/5/2008
604067	4VZBT1D908C	2008 DS	DP	4317 S	3/12/2008	4/2/2008
604068	4VZBT1D948C	2008 DS	DP	4317 S	3/11/2008	4/1/2008
604071	4VZBT1D978C	2008 DS	DP	4304 S	3/3/2008	3/18/2008
604072	4VZBT1D998C	2008 DS	DP	4304 S	2/18/2008	3/5/2008
604073	4VZBR1D948C	2008 DS	DP	4023 S	3/13/2008	4/7/2008
604075	4VZBR1D928C	2008 DS	DP	4055 S	2/25/2008	3/12/2008
604076	4VZBR1D948C	2008 DS	DP	4055 S	2/26/2008	3/13/2008
604077	4VZBR1D9X8C	2008 DS	DP	4035 S	2/26/2008	3/13/2008
604078	4VZBT1D958C	2008 DS	DP	4304 S	2/25/2008	3/12/2008
604079	4VZBT1D958C	2008 DS	DP	4317 S	3/12/2008	4/1/2008
604081	4VZBT1D928C	2008 DS	DP	4304 S	3/4/2008	3/19/2008
604082	4VZBT1D948C	2008 DS	DP	4317 S	3/13/2008	4/7/2008
604083	4VZBR1D918C	2008 DS	DP	4024 S	3/5/2008	3/31/2008
604084	4VZBT1D988C	2008 DS	DP	4304 S	3/17/2008	4/8/2008
604085	4VZBT1D958C	2008 DS	DP	4304 S	3/17/2008	4/8/2008
604086	4VZBT1D968C	2008 DS	DP	4304 S	3/17/2008	4/8/2008
604087	4VZBR1D998C	2008 DS	DP	4035 S	3/17/2008	4/7/2008
604090	4VZBR1D908C	2008 DS	DP	4023 S	3/18/2008	4/9/2008
604091	4VZBT1D998C	2008 DS	DP	4354 S	4/1/2008	4/15/2008
604092	4VZBT1D958C	2008 DS	DP	4317 S	4/1/2008	4/15/2008

604093	4VZBT1D908C	2008 DS	DP	4330 S	3/31/2008	4/14/2008
604094	4VZBR1D989C	2009 DS	DP	4086 S	4/10/2008	4/23/2008
604096	4VZBR1B959C	2009 DS	DP	3625 S	4/8/2008	4/21/2008
604099	4VZBR1D999C	2009 DS	DP	4043 S	5/21/2008	6/10/2008
604101	4VZBR1B9X9C	2009 DS	DP	4086 S	5/5/2008	5/19/2008
604103	4VZBR1B979C	2009 DS	DP	4086 S	4/17/2008	4/29/2008
604104	4VZBR1D949C	2009 DS	DP	4086 S	5/19/2008	5/29/2008
604105	4VZBR1B959C	2009 DS	DP	4086 S	5/6/2008	5/19/2008
604106	4VZBR1B939C	2009 DS	DP	4055 S	5/14/2008	5/28/2008
604107	4VZBR1D959C	2009 DS	DP	4055 S	4/28/2008	5/7/2008
604110	4VZBR1D909C	2009 DS	DP	4055 S	4/23/2008	5/6/2008
604113	4VZBR1D969C	2009 DS	DP	4055 S	5/2/2008	5/14/2008
604114	4VZBR1D939C	2009 DS	DP	4084 S	4/21/2008	4/30/2008
604115	4VZBR1D989C	2009 DS	DP	4084 S	5/20/2008	5/30/2008
604116	4VZBR1D929C	2009 DS	DP	4055 S	5/12/2008	5/22/2008
604117	4VZBR1D999C	2009 DS	DP	4086 S	4/30/2008	5/12/2008
604118	4VZBR1D959C	2009 DS	DP	4086 S	5/20/2008	6/9/2008
604119	4VZBR1D979C	2009 DS	DP	4055 S	4/22/2008	5/5/2008
604120	4VZBR1D9X9C	2009 DS	DP	4010 S	4/15/2008	4/28/2008
604121	4VZBR1D979C	2009 DS	DP	4086 S	4/28/2008	5/12/2008
604123	4VZBR1D999C	2009 DS	DP	4010 S	4/23/2008	5/5/2008
604124	4VZBR1D959C	2009 DS	DP	3623 S	4/29/2008	5/8/2008
604125	4VZBR1D9X9C	2009 DS	DP	4086 S	5/8/2008	5/20/2008
604126	4VZBR1D9X9C	2009 DS	DP	4043 S	5/8/2008	5/21/2008
604128	4VZBR1D979C	2009 DS	DP	4016 S	5/21/2008	6/9/2008
604129	4VZBR1D989C	2009 DS	DP	4043 S	5/8/2008	5/21/2008
604130	4VZBR1D979C	2009 DS	DP	4084 S	5/27/2008	6/12/2008
604131	4VZBR1D929C	2009 DS	DP	4043 S	5/15/2008	5/29/2008
604132	4VZBR1D919C	2009 DS	DP	4043 S	5/28/2008	6/16/2008
604133	4VZBR1D959C	2009 DS	DP	4010 S	5/22/2008	6/11/2008
604134	4VZBR1D9X9C	2009 DS	DP	4086 S	5/29/2008	6/17/2008
604135	4VZBR1D929C	2009 DS	DP	4043 S	6/9/2008	6/19/2008
604136	4VZBR1B949C	2009 DS	DP	3623 S	6/11/2008	7/17/2008
604137	4VZBR1D949C	2009 DS	DP	4043 S	6/11/2008	7/21/2008
604138	4VZBR1B929C	2009 DS	DP	3623 S	6/17/2008	7/30/2008
604139	4VZBR1D989C	2009 DS	DP	4010 S	6/16/2008	7/24/2008
604141	4VZBR1B999C	2009 DS	DP	3625 S	6/18/2008	7/31/2008
604143	4VZBT1D909C	2009 DS	DP	4386 S	6/19/2008	8/11/2008
604144	4VZBT1D929C	2009 DS	DP	4333 S	7/29/2008	8/13/2008
604146	4VZBR1D909C	2009 DS	DP	4043 S	7/24/2008	8/12/2008
604147	4VZBR1D959C	2009 DS	DP	4055 S	7/31/2008	8/27/2008
604149	4VZBR1D979C	2009 DS	DP	4055 S	8/12/2008	9/16/2008
604151	4VZBR1D997C	2009 DS	DP	4043 S	8/27/2008	9/23/2008
604152	4VZBR1D989C	2009 DS	DP	4043 S	8/26/2008	9/22/2008
604153	4VZBR1D909C	2009 DS	DP	4043 S	8/11/2008	9/16/2008
604154	4VZBR1D999C	2009 DS	DP	4055 S	8/7/2008	9/4/2008
604155	4VZBR1D949C	2009 DS	DP	4010 S	8/27/2008	9/23/2008
604158	4VZBT1D979C	2009 DS	DP	4386 S	9/3/2008	9/25/2008
604159	4VZBR1D979C	2009 DS	DP	4086 S	9/16/2008	10/7/2008
604160	4VZBT1D929C	2009 DS	DP	4386 S	9/23/2008	10/14/2008
604161	4VZBT1D949C	2009 DS	DP	4386 S	9/23/2008	10/27/2008
604162	4VZBR1D909C	2009 DS	DP	4010 S	10/6/2008	10/28/2008

604163	4VZBT1D9X9C	2009 DS	DP	4333 S	10/7/2008	10/28/2008
604164	4VZBR1D979C	2009 DS	DP	4084 S	10/14/2008	11/5/2008
604165	4VZBT1D919C	2009 DS	DP	4386 S	10/9/2008	10/30/2008
604166	4VZBT1D999C	2009 DS	DP	4333 S	10/9/2008	11/3/2008
604167	4VZBR1D979C	2009 DS	DP	3623 S	10/13/2008	11/4/2008
604168	4VZBT1D959C	2009 DS	DP	4386 S	10/28/2008	11/26/2008
604169	4VZBR1D949C	2009 DS	DP	4055 S	10/27/2008	11/25/2008
604170	4VZBR1B909C	2009 DS	DP	3623 S	11/4/2008	12/4/2008
604171	4VZBR1B919C	2009 DS	DP	4010 S	11/25/2008	12/10/2008
604172	4VZBR1D989C	2009 DS	DP	4010 S	2/2/2009	2/16/2009
604173	4VZBR1D979C	2009 DS	DP	4010 S	2/9/2009	3/2/2009
604174	4VZBR1D909C	2009 DS	DP	3623 S	2/19/2009	3/11/2009
604175	4VZBT1D999C	2010 DS	DP	4386 S	3/2/2009	3/12/2009
604178	4VZBT1D909C	2009 DS	DP	4386 S	3/11/2009	3/19/2009
604179	4VZBR1B959C	2010 DS	DP	4010 S	4/6/2009	4/16/2009
604180	4VZBT1D949C	2010 DS	DP	4333 S	4/8/2009	4/22/2009
604181	4VZBT1D90AC	2010 DS	DP	4386 S	5/19/2009	6/1/2009
604182	4VZBR1D91AC	2010 DS	DP	4084 S	5/18/2009	5/29/2009
604183	4VZBR1D94AC	2010 DS	DP	4086 S	5/13/2009	5/29/2009
604184	4VZBR1B94AC	2010 DS	DP	4086 S	5/11/2009	5/22/2009
604185	4VZBT1D90AC	2010 DS	DP	4386 S	5/14/2009	5/29/2009
604186	4VZBR1D91AC	2010 DS	DP	4055 S	5/26/2009	6/3/2009
604187	4VZBT1D91AC	2010 DS	DP	4386 S	5/27/2009	6/4/2009
604188	4VZBT1D91AC	2010 DS	DP	4333 S	5/27/2009	6/4/2009
604192	4VZBR1D97AC	2010 DS	DP	4010 S	6/18/2009	7/8/2009
604193	4VZBR1D96AC	2010 DS	DP	4055 S	6/22/2009	7/9/2009
604194	4VZBT1D98AC	2010 DS	DP	4386 S	6/24/2009	7/14/2009
604195	4VZBR1D90AC	2010 DS	DP	4086 S	7/8/2009	7/21/2009
604200	4VZBR1D93AC	2010 DS	DP	4086 S	7/28/2009	8/10/2009
604201	4VZBT1D90AC	2010 DS	DP	4386 S	8/4/2009	8/17/2009
604202	4VZBR1D95AC	2010 DS	DP	4086 S	8/5/2009	8/18/2009
604203	4VZBT1D92AC	2010 DS	DP	4333 S	8/13/2009	8/24/2009
604205	4VZBT1D99AC	2010 DS	DP	4386 S	8/20/2009	9/10/2009
604206	4VZBR1D96AC	2010 DS	DP	4010 S	3/1/2010	3/10/2010
604207	4VZBT1D92AC	2010 DS	DP	4386 S	3/2/2010	3/11/2010
604208	4VZBT1D99AC	2010 DS	DP	4386 S	9/10/2009	9/22/2009
604209	4VZBT1D90AC	2010 DS	DP	4333 S	9/15/2009	9/28/2009
604210	4VZBT1D96AC	2010 DS	DP	4386 S	9/15/2009	9/28/2009
604212	4VZBR1D96AC	2010 DS	DP	4086 S	9/17/2009	9/30/2009
604213	4VZBR1D97AC	2010 DS	DP	4016 S	9/23/2009	10/6/2009
604216	4VZBT1D90AC	2010 DS	DP	4386 S	9/30/2009	10/13/2009
604217	4VZBR1D9XAC	2010 DS	DP	4010 S	10/22/2009	11/2/2009
604219	4VZBT1D90AC	2010 DS	DP	4333 S	10/19/2009	10/28/2009
604221	4VZBT1D94AC	2010 DS	DP	4386 S	10/12/2009	10/22/2009
604222	4VZBR1B94AC	2010 DS	DP	4016 S	10/23/2009	11/3/2009
604223	4VZBT1D96AC	2010 DS	DP	4304 S	10/27/2009	11/5/2009
604224	4VZBR1D93AC	2010 DS	DP	3625 S	12/8/2009	12/17/2009
604225	4VZBT1D99AC	2010 DS	DP	4304 S	12/11/2009	1/14/2010
604227	4VZBT1D98AC	2010 DS	DP	4386 S	11/10/2009	11/19/2009
604228	4VZBT1D94AC	2010 DS	DP	4304 S	11/20/2009	12/2/2009
604229	4VZBT1D97AC	2010 DS	DP	4386 S	12/10/2009	1/12/2010
604230	4VZBR1D92AC	2010 DS	DP	4010 S	11/23/2009	12/3/2009

604231	4VZBR1D94AC	[REDACTED]	2010 DS	DP	3625 S	12/11/2009	1/13/2010
604232	4VZBT1D98AC	[REDACTED]	2010 DS	DP	4386 S	11/12/2009	11/23/2009
604233	4VZBR1D98AC	[REDACTED]	2010 DS	DP	4084 S	11/19/2009	12/2/2009
604234	4VZBR1D96AC	[REDACTED]	2010 DS	DP	4084 S	11/18/2009	11/30/2009
604237	4VZBR1D94AC	[REDACTED]	2010 DS	DP	4016 S	11/17/2009	11/25/2009
604241	4VZBR1D94AC	[REDACTED]	2010 DS	DP	4086 S	11/24/2009	12/4/2009
604242	4VZBT1D98AC	[REDACTED]	2010 DS	DP	4333 S	11/24/2009	12/7/2009
604243	4VZBT1D9XAC	[REDACTED]	2010 DS	DP	4333 S	11/25/2009	12/8/2009
604246	4VZBR1D95AC	[REDACTED]	2010 DS	DP	4084 S	12/7/2009	12/16/2009
604247	4VZBT1D99AC	[REDACTED]	2010 DS	DP	4386 S	12/10/2009	1/12/2010
604248	4VZBT1D92AC	[REDACTED]	2010 DS	DP	4333 S	1/18/2010	1/27/2010
604249	4VZBT1D9XAC	[REDACTED]	2010 DS	DP	4386 S	1/25/2010	2/3/2010
604250	4VZBT1D90AC	[REDACTED]	2010 DS	DP	4386 S	1/15/2010	1/26/2010
604251	4VZBR1D94AC	[REDACTED]	2010 DS	DP	4043 S	1/28/2010	2/8/2010
604252	4VZBT1D98AC	[REDACTED]	2010 DS	DP	4333 S	1/21/2010	2/1/2010
604253	4VZBR1D93AC	[REDACTED]	2010 DS	DP	3625 S	1/25/2010	2/3/2010
604254	4VZBT1D9XAC	[REDACTED]	2010 DS	DP	4386 S	2/12/2010	2/23/2010
604255	4VZBR1D97AC	[REDACTED]	2010 DS	DP	4010 S	1/20/2010	1/29/2010
604256	4VZBT1D9XAC	[REDACTED]	2010 DS	DP	4333 S	1/19/2010	1/28/2010
604257	4VZBR1D9XAC	[REDACTED]	2010 DS	DP	3623 S	1/27/2010	2/5/2010
604258	4VZBT1D90AC	[REDACTED]	2010 DS	DP	4386 S	2/15/2010	2/24/2010
604259	4VZBR1D92AC	[REDACTED]	2010 DS	DP	4086 S	1/29/2010	2/9/2010
604260	4VZBR1B93AC	[REDACTED]	2010 DS	DP	3623 S	3/3/2010	3/12/2010
604261	4VZBT1D93AC	[REDACTED]	2010 DS	DP	4304 S	2/11/2010	2/22/2010
604262	4VZBR1D90AC	[REDACTED]	2010 DS	DP	4055 S	2/8/2010	2/17/2010
604263	4VZBR1D98AC	[REDACTED]	2010 DS	DP	3623 S	2/3/2010	2/12/2010
604264	4VZBR1D93AC	[REDACTED]	2010 DS	DP	4084 S	2/5/2010	2/16/2010
604265	4VZBT1D90AC	[REDACTED]	2010 DS	DP	4386 S	2/10/2010	2/19/2010
604266	4VZBT1D97AC	[REDACTED]	2010 DS	DP	4333 S	2/17/2010	2/26/2010
604267	4VZBR1D95AC	[REDACTED]	2010 DS	DP	4016 S	3/9/2010	3/18/2010
604269	4VZBT1D95AC	[REDACTED]	2010 DS	DP	4333 S	2/25/2010	3/8/2010
604272	4VZBT1D97AC	[REDACTED]	2010 DS	DP	4333 S	3/8/2010	3/17/2010
604274	4UZACHCY8BC	[REDACTED]	2011 DS	DP	4034 FL	3/15/2010	3/22/2010
604275	4UZFCHCY3BC	[REDACTED]	2011 DS	DP	4324 FL	3/17/2010	3/29/2010
604276	4VZBT1D9XAC	[REDACTED]	2010 DS	DP	4333 S	3/23/2010	4/6/2010
604278	4UZACHCY4BC	[REDACTED]	2011 DS	DP	4086 F	3/24/2010	4/7/2010
604279	4UZACHCY2BC	[REDACTED]	2011 DS	DP	4043 FL	4/5/2010	4/14/2010
604280	4VZBT1D91AC	[REDACTED]	2010 DS	DP	4333 S	4/1/2010	4/13/2010
604281	4VZBT1D94AC	[REDACTED]	2010 DS	DP	4333 S	4/5/2010	4/14/2010
604282	4UZACHCY6BC	[REDACTED]	2011 DS	DP	4020 FL	4/6/2010	4/15/2010
604283	4UZFCHCY3BC	[REDACTED]	2011 DS	DP	4344 FL	4/8/2010	4/19/2010
604284	4UZACHCY8BC	[REDACTED]	2011 DS	DP	4086 FL	4/7/2010	4/16/2010
604285	4UZFCHCY5BC	[REDACTED]	2011 DS	DP	4344 FL	4/9/2010	4/20/2010
604286	4UZFCHCY7BC	[REDACTED]	2011 DS	DP	4324 FL	4/14/2010	4/23/2010
604288	4UZFCHCY9BC	[REDACTED]	2011 DS	DP	4336 FL	4/15/2010	4/26/2010
604289	4UZFCHCY0BC	[REDACTED]	2011 DS	DP	4324 FL	4/16/2010	4/27/2010
604290	4UZFCHCY2BC	[REDACTED]	2011 DS	DP	4353 FL	4/19/2010	4/28/2010
604291	4UZACHCY4BC	[REDACTED]	2011 DS	DP	3734 FL	5/7/2010	5/18/2010
604292	4UZACHCY6BC	[REDACTED]	2011 DS	DP	4034 FL	4/19/2010	4/28/2010
604293	4UZACHCY8BC	[REDACTED]	2011 DS	DP	4020 FL	4/21/2010	4/30/2010
604294	4UZACHCYXBC	[REDACTED]	2011 DS	DP	4086 FL	4/22/2010	5/3/2010
604295	4UZFCHCY4BC	[REDACTED]	2011 DS	DP	4344 FL	4/22/2010	5/3/2010

604296	4UZFCHCY6BC	2011 DS	DP	4386 FL	4/27/2010	5/6/2010
604297	4UZFCHCY8BC	2011 DS	DP	4344 FL	4/26/2010	5/5/2010
604299	4UZACHCY3BC	2011 DS	DP	4020 FL	4/29/2010	5/10/2010
604300	4UZACHCY9BC	2011 DS	DP	4020 FL	5/28/2010	6/8/2010
604301	4UZFCHCY1BC	2011 DS	DP	4324 FL	6/2/2010	6/10/2010
604302	4UZFCHCYXBC	2011 DS	DP	4324 FL	5/17/2010	5/25/2010
604303	4UZFCHCY6BC	2011 DS	DP	4344 FL	5/18/2010	5/27/2010
604304	4UZACHCY6BC	2011 DS	DP	3734 FL	5/12/2010	5/21/2010
604305	4UZFCHCY8BC	2011 DS	DP	4353 FL	5/18/2010	5/27/2010
604306	4UZACHCY2BC	2011 DS	DP	3734 FL	6/29/2010	7/19/2010
604307	4UZFCHCY3BC	2011 DS	DP	4386 FL	5/20/2010	6/1/2010
604308	4UZFCHCY5BC	2011 DS	DP	4344 FL	5/17/2010	5/25/2010
604309	4UZACHCYXBC	2011 DS	DP	4020 FL	5/20/2010	5/28/2010
604310	4UZACHCY5BC	2011 DS	DP	4086 FL	5/27/2010	6/7/2010
604311	4UZACHCY1BC	2011 DS	DP	4020 FL	5/21/2010	6/1/2010
604312	4UZFCHCYXBC	2011 DS	DP	4344 FL	6/7/2010	6/15/2010
604315	4UZACHCY0BC	2011 DS	DP	3734 FL	6/28/2010	7/19/2010
604316	4UZACHCY0BC	2011 DS	DP	4020 FL	6/1/2010	6/9/2010
604318	4UZFCHCY0BC	2011 DS	DP	4353 FL	6/15/2010	6/23/2010
604319	4UZACHCY0BC	2011 DS	DP	4020 FL	6/10/2010	6/18/2010
604320	4UZACHCY9BC	2011 DS	DP	4086 FL	6/8/2010	6/17/2010
604321	4UZFCHCY2BC	2011 DS	DP	4324 FL	6/11/2010	6/21/2010
604327	4UZFCHCY0BC	2011 DS	DP	4344 FL	6/10/2010	6/18/2010
604330	4UZFCHCY9BC	2011 DS	DP	4336 FL	6/15/2010	6/24/2010
604332	4UZACHCY3BC	2011 DS	DP	4086 FL	6/11/2010	6/22/2010
604333	4UZFCHCY4BC	2011 DS	DP	4353 FL	6/17/2010	6/28/2010
604334	4UZFCHCY4BC	2011 DS	DP	4353 FL	6/14/2010	6/22/2010
604336	4UZFCHCY2BC	2011 DS	DP	4344 FL	6/18/2010	6/30/2010
604337	4UZACHCY2BC	2011 DS	DP	4086 FL	6/23/2010	7/13/2010
604340	4UZFCHCY2BC	2011 DS	DP	4386 FL	6/28/2010	7/16/2010
604341	4UZFCHCY4BC	2011 DS	DP	4353 FL	7/16/2010	7/28/2010
604342	4UZFCHCY1BC	2011 DS	DP	4020T FL	7/21/2010	8/3/2010
604343	4UZFCHCY6BC	2011 DS	DP	4043T FL	7/20/2010	8/2/2010
604345	4UZFCHCY8BC	2011 DS	DP	4086T FL	8/9/2010	8/18/2010
604346	4UZFCHCY3BC	2011 DS	DP	4020T FL	7/26/2010	8/4/2010
604348	4UZACHCY4BC	2011 DS	DP	3734 FL	7/30/2010	8/10/2010
604349	4UZFCHCY1BC	2011 DS	DP	4324 FL	8/6/2010	8/17/2010
604350	4UZFCHCY5BC	2011 DS	DP	4020T FL	8/17/2010	8/26/2010
604351	4UZACHCY0BC	2011 DS	DP	3734 FL	8/13/2010	8/24/2010
604352	4UZFCHCY1BC	2011 DS	DP	4336 FL	8/18/2010	8/27/2010
604353	4UZFCHCY5BC	2011 DS	DP	4344 FL	8/26/2010	9/8/2010
604354	4UZFCHCY2BC	2011 DS	DP	4086T FL	8/30/2010	9/9/2010
604357	4UZACHCY2BC	2011 DS	DP	3734 FL	9/15/2010	9/27/2010
604358	4UZFCHCY3BC	2011 DS	DP	4344 FL	9/13/2010	9/22/2010
604360	4UZFCHCY6BC	2011 DS	DP	4353 FL	10/4/2010	10/13/2010
604361	4UZFCHCY7BC	2011 DS	DP	4344 FL	10/1/2010	10/12/2010
604362	4UZACHCY2BC	2011 DS	DP	3734 FL	10/7/2010	10/18/2010
604363	4UZFCHCY5BC	2011 DS	DP	4324 FL	10/5/2010	10/14/2010
604364	4UZFCHCY0BC	2011 DS	DP	4336 FL	10/6/2010	10/15/2010
604366	4UZACHCY4BC	2011 DS	DP	3734 FL	10/27/2010	11/5/2010
604367	4UZACHCY4BC	2011 DS	DP	3734 S	10/19/2010	10/28/2010
604368	4UZFCHCY9BC	2011 DS	DP	4386 FL	10/8/2010	10/19/2010

604369	4UZFCHCY9BC	[REDACTED]	2011 DS	DP	4020T FL	10/15/2010	10/26/2010
604370	4UZACHCY8BC	[REDACTED]	2011 DS	DP	3734 FL	10/26/2010	11/3/2010
604371	4UZFCHCY4BC	[REDACTED]	2011 DS	DP	4086T FL	10/21/2010	11/1/2010
604372	4UZFCHCYXBC	[REDACTED]	2011 DS	DP	4353 FL	11/3/2010	11/15/2010
604374	4UZFCHCY2BC	[REDACTED]	2011 DS	DP	4344 FL	10/29/2010	11/9/2010
604375	4UZFCHCY2BC	[REDACTED]	2011 DS	DP	4020T FL	11/8/2010	11/17/2010
604376	4UZFCHCYXBC	[REDACTED]	2011 DS	DP	4020T FL	11/19/2010	12/2/2010
604377	4UZFCHCY8BC	[REDACTED]	2011 DS	DP	4344 FL	12/8/2010	1/3/2011
604378	4UZFCHCY4BC	[REDACTED]	2011 DS	DP	4386 FL	11/23/2010	12/6/2010
604379	4UZFCHCY9BC	[REDACTED]	2011 DS	DP	4020T FL	11/24/2010	12/7/2010
604382	4UZFCHCY6BC	[REDACTED]	2011 DS	DP	4324 FL	12/10/2010	1/4/2011
604383	4UZFCHCY4BC	[REDACTED]	2011 DS	DP	4344 FL	12/9/2010	1/4/2011
604384	4UZFCHCY6BC	[REDACTED]	2011 DS	DP	4344 FL	12/6/2010	12/15/2010
604386	4UZFCHCY0BC	[REDACTED]	2011 DS	DP	4020T FL	1/17/2011	1/25/2011
604387	4UZFCHCY3BC	[REDACTED]	2011 DS	DP	4344 FL	1/14/2011	1/25/2011
604388	4UZFCHCYXBC	[REDACTED]	2011 DS	DP	4344 FL	1/11/2011	1/19/2011
604389	4UZFCHCY4BC	[REDACTED]	2011 DS	DP	4020T FL	1/21/2011	1/31/2011
604390	4UZFCHCY6BC	[REDACTED]	2011 DS	DP	4020T FL	1/28/2011	2/8/2011
604391	4UZFCHCY9BC	[REDACTED]	2011 DS	DP	4353 FL	2/17/2011	2/25/2011
604392	4UZFCHCY5BC	[REDACTED]	2011 DS	DP	4344 FL	2/21/2011	3/2/2011
604393	4UZFCHCY0BC	[REDACTED]	2011 DS	DP	4344 FL	2/11/2011	2/21/2011
604394	4UZACHCY4BC	[REDACTED]	2011 DS	DP	3734 FL	3/1/2011	3/10/2011
604395	4UZFCHCY1BC	[REDACTED]	2011 DS	DP	4386 FL	2/28/2011	3/9/2011
604396	4UZFCHCY8CC	[REDACTED]	2012 DS	DP	4346 FL	3/15/2011	3/24/2011
604397	4UZFCHCYXCC	[REDACTED]	2012 DS	DP	4346 FL	3/29/2011	4/6/2011
604398	4UZFCHCY9BC	[REDACTED]	2011 DS	DP	4020T FL	3/10/2011	3/22/2011
604399	4UZFCHCY7BC	[REDACTED]	2011 DS	DP	4353 FL	3/16/2011	3/25/2011
604400	4UZACHCYXBC	[REDACTED]	2011 DS	DP	3734 FL	3/21/2011	3/30/2011
604401	4UZACHCY2BC	[REDACTED]	2011 DS	DP	3734 FL	3/29/2011	4/7/2011
604402	4UZFCHCY2BC	[REDACTED]	2011 DS	DP	4344 FL	3/30/2011	4/8/2011
604403	4UZFCHCY8BC	[REDACTED]	2011 DS	DP	4020T FL	3/30/2011	4/8/2011
604404	4UZFCHCY6BC	[REDACTED]	2011 DS	DP	4336 FL	4/5/2011	4/14/2011
604405	4UZFCHCY4BC	[REDACTED]	2011 DS	DP	4324 FL	4/7/2011	4/18/2011
604406	4UZACHCY4BC	[REDACTED]	2011 DS	DP	3734 FL	4/15/2011	4/28/2011
604407	4UZFCHCY8BC	[REDACTED]	2011 DS	DP	4344 FL	4/19/2011	4/29/2011
604408	4UZFCHCYXBC	[REDACTED]	2011 DS	DP	4020T FL	4/28/2011	5/10/2011
604409	4UZFCHCY8BC	[REDACTED]	2011 DS	DP	4386 FL	5/19/2011	5/31/2011
604410	4UZFCHCYXBC	[REDACTED]	2011 DS	DP	4336 FL	5/11/2011	5/23/2011
604411	4UZFCHCY1BC	[REDACTED]	2011 DS	DP	4324 FL	5/23/2011	6/3/2011
604412	4UZACHCY1CC	[REDACTED]	2012 DS	DP	3735 FL	5/24/2011	6/6/2011
604413	4UZFCHCY9CC	[REDACTED]	2012 DS	DP	4342 FL	5/31/2011	6/10/2011
604414	4UZFCHCY2CC	[REDACTED]	2012 DS	DP	4346 FL	6/8/2011	6/17/2011
604415	4UZFCHCY0CC	[REDACTED]	2012 DS	DP	4346 FL	6/1/2011	6/13/2011
604416	4UZFCHCY6CC	[REDACTED]	2012 DS	DP	4353 FL	6/23/2011	7/12/2011
604417	4UZFCHCY4CC	[REDACTED]	2012 DS	DP	4346 FL	6/20/2011	6/29/2011
604419	4UZFCHCY6CC	[REDACTED]	2012 DS	DP	4346 FL	6/22/2011	7/11/2011
604420	4UZFCHCY8CC	[REDACTED]	2012 DS	DP	4353 FL	7/18/2011	7/28/2011
604421	4UZFCHCY2CC	[REDACTED]	2012 DS	DP	4342 FL	7/20/2011	8/1/2011
604425	4UZFCHCY5CC	[REDACTED]	2012 DS	DP	4346 FL	7/26/2011	8/8/2011
604426	4UZFCHCY9CC	[REDACTED]	2012 DS	DP	4086 FL	7/14/2011	7/25/2011
604427	4UZACHCY2CC	[REDACTED]	2012 DS	DP	3735 FL	8/30/2011	9/12/2011
604428	4UZFCHCY9CC	[REDACTED]	2012 DS	DP	4346 FL	8/18/2011	8/29/2011

604429	4UZFCHCY4CC	[REDACTED]	2012 DS	DP	4020 FL	7/28/2011	8/10/2011
604430	4UZFCHCY6CC	[REDACTED]	2012 DS	DP	4346 FL	8/2/2011	8/12/2011
604431	4UZFCHCY4CC	[REDACTED]	2012 DS	DP	4353 FL	7/28/2011	8/11/2011
604436	4UZFCHCY7CC	[REDACTED]	2012 DS	DP	4062 FL	9/12/2011	9/21/2011
604437	4UZFCHCY4CC	[REDACTED]	2012 DS	DP	4020 FL	10/5/2011	10/17/2011
604438	4UZFCHCYXCC	[REDACTED]	2012 DS	DP	4346 FL	9/19/2011	9/29/2011
604439	4UZFCHCYXCC	[REDACTED]	2012 DS	DP	4020 FL	9/15/2011	9/28/2011
604442	4UZFCHCY2CC	[REDACTED]	2012 DS	DP	4020 FL	10/4/2011	10/13/2011
604444	4UZFCHCY6CC	[REDACTED]	2012 DS	DP	4020 FL	10/26/2011	11/4/2011
604446	4UZFCHCY5CC	[REDACTED]	2012 DS	DP	4324 FL	10/17/2011	10/25/2011
604447	4UZACHCY4CC	[REDACTED]	2012 DS	DP	3734 FL	10/14/2011	10/25/2011
604448	4UZACHCY7CC	[REDACTED]	2012 DS	DP	3734 FL	11/11/2011	11/21/2011
604449	4UZFCHCY6CC	[REDACTED]	2012 DS	DP	4086 FL	11/22/2011	12/1/2011
604451	4UZFCHCY2CC	[REDACTED]	2012 DS	DP	4342 FL	10/25/2011	11/3/2011
604452	4UZFCHCY1CC	[REDACTED]	2012 DS	DP	4020 FL	10/27/2011	11/7/2011
604454	4UZFCHCY4CC	[REDACTED]	2012 DS	DP	4346 FL	10/28/2011	11/8/2011
604455	4UZFCHCY6CC	[REDACTED]	2012 DS	DP	4353 FL	11/15/2011	11/23/2011
604456	4UZFCHCY3CC	[REDACTED]	2012 DS	DP	4346 FL	11/15/2011	11/23/2011
604457	4UZFCHCY8CC	[REDACTED]	2012 DS	DP	4346 FL	12/19/2011	1/13/2012
604458	4UZFCHCY0CC	[REDACTED]	2012 DS	DP	4353 FL	11/4/2011	11/14/2011
604459	4UZFCHCY2CC	[REDACTED]	2012 DS	DP	4346 FL	11/8/2011	11/16/2011
604460	4UZFCHCY8CC	[REDACTED]	2012 DS	DP	4346 FL	11/16/2011	11/28/2011
604461	4UZFCHCY8CC	[REDACTED]	2012 DS	DP	4086 FL	11/18/2011	11/30/2011
604462	4UZFCHCY5CC	[REDACTED]	2012 DS	DP	4020 FL	11/17/2011	11/29/2011
604463	4UZFCHCYXCC	[REDACTED]	2012 DS	DP	4346 FL	11/16/2011	11/28/2011
604464	4UZFCHCY8CC	[REDACTED]	2012 DS	DP	4346 FL	12/15/2011	1/10/2012
604465	4UZFCHCYXCC	[REDACTED]	2012 DS	DP	4062 FL	11/22/2011	12/2/2011
604466	4UZACHCY1CC	[REDACTED]	2012 DS	DP	3734 FL	11/29/2011	12/7/2011
604467	4UZFCHCYXCC	[REDACTED]	2012 DS	DP	4346 FL	12/19/2011	1/12/2012
604468	4UZFCHCY3CC	[REDACTED]	2012 DS	DP	4324 FL	1/9/2012	1/18/2012
604469	4UZACHCY6CC	[REDACTED]	2012 DS	DP	3735 FL	12/2/2011	12/12/2011
604470	4UZACHCY8CC	[REDACTED]	2012 DS	DP	3735 FL	12/7/2011	12/16/2011
604471	4UZFCHCYXCC	[REDACTED]	2012 DS	DP	4346 FL	12/22/2011	1/17/2012
604473	4UZACHCY3CC	[REDACTED]	2012 DS	DP	3734 FL	1/10/2012	1/20/2012
604474	4UZFCHCY1CC	[REDACTED]	2012 DS	DP	4353 FL	1/18/2012	1/27/2012
604475	4UZFCHCY2CC	[REDACTED]	2012 DS	DP	4020 FL	2/2/2012	2/14/2012
604476	4UZFCHCY3CC	[REDACTED]	2012 DS	DP	4353 FL	1/17/2012	1/26/2012
604477	4UZFCHCY1CC	[REDACTED]	2012 DS	DP	4346 FL	1/12/2012	1/23/2012
604478	4UZFCHCY2CC	[REDACTED]	2012 DS	DP	4020 FL	12/21/2011	1/16/2012
604480	4UZFCHCY5CC	[REDACTED]	2012 DS	DP	4346 FL	1/11/2012	1/20/2012
604481	4UZFCHCY4CC	[REDACTED]	2012 DS	DP	4020 FL	1/20/2012	1/31/2012
604484	4UZFCHCY8CC	[REDACTED]	2012 DS	DP	4346 FL	1/23/2012	2/1/2012
604485	4UZFCHCY1CC	[REDACTED]	2012 DS	DP	4344 FL	1/30/2012	2/8/2012
604486	4UZFCHCY4CC	[REDACTED]	2012 DS	DP	4020 FL	2/7/2012	2/16/2012
604487	4UZFCHCY6CC	[REDACTED]	2012 DS	DP	4020 FL	2/16/2012	2/27/2012
604488	4UZFCHCYXCC	[REDACTED]	2012 DS	DP	4346 FL	1/27/2012	2/6/2012
604489	4UZFCHCY8CC	[REDACTED]	2012 DS	DP	4353 FL	2/3/2012	2/15/2012
604490	4UZFCHCY1DC	[REDACTED]	2013 DS	DP	4318 FL	3/21/2012	4/12/2012
604491	4UZFCHCY8CC	[REDACTED]	2012 DS	DP	4346 FL	2/21/2012	3/1/2012
604492	4UZFCHCY4CC	[REDACTED]	2012 DS	DP	4020 FL	2/27/2012	3/7/2012
604493	4UZFCHCY6CC	[REDACTED]	2012 DS	DP	4062 FL	2/29/2012	3/12/2012
604494	4UZFCHCY4CC	[REDACTED]	2012 DS	DP	4346 FL	2/24/2012	3/6/2012

604495	4UZFHCHYXCC	[REDACTED]	2012 DS	DP	4342 FL	2/23/2012	3/5/2012
604497	4UZFHCHYXCC	[REDACTED]	2012 DS	DP	4346 FL	3/8/2012	3/22/2012
604499	4UZFHCHY3CC	[REDACTED]	2012 DS	DP	4346 FL	4/12/2012	4/26/2012
604502	4UZFHCHY6CC	[REDACTED]	2012 DS	DP	4020 FL	3/29/2012	4/17/2012
604503	4UZFHCHY0CC	[REDACTED]	2012 DS	DP	4353 FL	4/16/2012	4/27/2012
604505	4UZFHCHY0DC	[REDACTED]	2012 DS	DP	4346 FL	5/7/2012	5/16/2012
604508	4UZFHCHY7DC	[REDACTED]	2013 DS	DP	4347 FL	5/30/2012	6/8/2012
604510	4UZFHCHY1CC	[REDACTED]	2013 DS	DP	4347 FL	5/31/2012	6/8/2012
604511	4UZFHCHY5DC	[REDACTED]	2013 DS	DP	4318 FL	5/16/2012	5/29/2012
604512	4UZACHCYXDC	[REDACTED]	2013 DS	DP	3734 FL	5/22/2012	5/31/2012
604513	4UZFHCHY6DC	[REDACTED]	2013 DS	DP	4353 FL	6/11/2012	6/18/2012
604515	4UZFHCHYXDC	[REDACTED]	2013 DS	DP	4324 FL	6/1/2012	6/11/2012
604516	4UZFHCHY1DC	[REDACTED]	2013 DS	DP	4347 FL	6/13/2012	6/20/2012
604517	4UZFHCHY6DC	[REDACTED]	2013 DS	DP	4038 FL	6/7/2012	6/15/2012
604518	4UZFHCHY3DC	[REDACTED]	2013 DS	DP	4318 FL	7/16/2012	7/24/2012
604521	4UZFHCHYXDC	[REDACTED]	2013 DS	DP	4018 FL	6/18/2012	6/25/2012
604522	4UZFHCHY8DC	[REDACTED]	2013 DS	DP	4038 FL	6/12/2012	6/20/2012
604523	4UZFHCHY1DC	[REDACTED]	2013 DS	DP	4353 FL	7/16/2012	7/25/2012
604524	4UZFHCHY2DC	[REDACTED]	2013 DS	DP	4347 FL	6/20/2012	7/9/2012
604525	4UZFHCHY5DC	[REDACTED]	2013 DS	DP	4338 FL	7/19/2012	7/30/2012
604526	4UZFHCHY2DC	[REDACTED]	2013 DS	DP	4338 FL	6/11/2012	6/19/2012
604527	4UZFHCHY7DC	[REDACTED]	2013 DS	DP	4344 FL	7/17/2012	7/25/2012
604528	4UZFHCHY2DC	[REDACTED]	2013 DS	DP	4344 FL	7/13/2012	7/24/2012
604529	4UZFHCHY2DC	[REDACTED]	2013 DS	DP	4038 FL	7/23/2012	7/31/2012
604530	4UZFHCHY8DC	[REDACTED]	2013 DS	DP	4318 FL	8/1/2012	8/10/2012
604531	4UZFHCHY1DC	[REDACTED]	2013 DS	DP	4018 FL	6/22/2012	7/12/2012
604532	4UZFHCHY8DC	[REDACTED]	2013 DS	DP	4038 FL	6/15/2012	6/22/2012
604533	4UZACHCY1DC	[REDACTED]	2013 DS	DP	3735 FL	6/25/2012	7/13/2012
604534	4UZFHCHY0DC	[REDACTED]	2013 DS	DP	4018 FL	7/18/2012	7/27/2012
604535	4UZFHCHY0DC	[REDACTED]	2013 DS	DP	4347 FL	7/10/2012	7/19/2012
604536	4UZFHCHY6DC	[REDACTED]	2013 DS	DP	4347 FL	8/14/2012	8/23/2012
604537	4UZFHCHY3DC	[REDACTED]	2013 DS	DP	4324 FL	7/19/2012	7/30/2012
604538	4UZFHCHY4DC	[REDACTED]	2013 DS	DP	4347 FL	7/31/2012	8/8/2012
604540	4UZFHCHY2DC	[REDACTED]	2013 DS	DP	4018 FL	7/26/2012	8/6/2012
604542	4UZFHCHY4DC	[REDACTED]	2013 DS	DP	4347 FL	8/7/2012	8/15/2012
604543	4UZFHCHY6DC	[REDACTED]	2013 DS	DP	4318 FL	7/26/2012	8/6/2012
604544	4UZFHCHY0DC	[REDACTED]	2013 DS	DP	4018 FL	8/9/2012	8/20/2012
604545	4UZFHCHY7DC	[REDACTED]	2013 DS	DP	4018 FL	8/8/2012	8/17/2012
604547	4UZFHCHYXDC	[REDACTED]	2013 DS	DP	4318 FL	9/13/2012	9/21/2012
604548	4UZFHCHY2DC	[REDACTED]	2013 DS	DP	4318 FL	8/23/2012	8/31/2012
604549	4UZFHCHY4DC	[REDACTED]	2013 DS	DP	4347 FL	8/17/2012	8/28/2012
604550	4UZFHCHYXDC	[REDACTED]	2013 DS	DP	4353 FL	8/23/2012	9/4/2012
604551	4UZFHCHY1DC	[REDACTED]	2013 DS	DP	4338 FL	9/4/2012	9/13/2012
604552	4UZFHCHY6DC	[REDACTED]	2013 DS	DP	4318 FL	9/11/2012	9/19/2012
604553	4UZFHCHY8DC	[REDACTED]	2013 DS	DP	4353 FL	9/7/2012	9/18/2012
604554	4UZFHCHY3DC	[REDACTED]	2013 DS	DP	4338 FL	9/7/2012	9/17/2012
604555	4UZFHCHY3DC	[REDACTED]	2013 DS	DP	4018 FL	9/11/2012	9/20/2012
604556	4UZFHCHY3DC	[REDACTED]	2013 DS	DP	4338 FL	9/25/2012	10/5/2012
604557	4UZFHCHYXDC	[REDACTED]	2013 DS	DP	4347 FL	9/18/2012	9/27/2012
604558	4UZFHCHY8DC	[REDACTED]	2013 DS	DP	4038 FL	9/26/2012	10/8/2012
604559	4UZFHCHY1DC	[REDACTED]	2013 DS	DP	4318 FL	9/24/2012	10/5/2012
604561	4UZFHCHY7DC	[REDACTED]	2013 DS	DP	4347 FL	10/12/2012	10/22/2012

604562	4UZFHCHY7DC		2013 DS	DP	4018 FL	10/9/2012	10/17/2012
604563	4UZFHCHY6DC		2013 DS	DP	4344 FL	10/22/2012	10/30/2012
604564	4UZFHCHY8DC		2013 DS	DP	4338 FL	11/13/2012	11/21/2012
604566	4UZFHCHY9DC		2013 DS	DP	4347 FL	10/18/2012	10/26/2012
604567	4UZFHCHY8DC		2013 DS	DP	4344 FL	10/25/2012	11/1/2012
604568	4UZFHCHYXDC		2013 DS	DP	4338 FL	10/29/2012	11/6/2012
604569	4UZFHCHY3DC		2013 DS	DP	4018 FL	11/8/2012	11/15/2012
604570	4UZFHCHY8DC		2013 DS	DP	4038 FL	11/15/2012	11/27/2012
604571	4UZFHCHY6DC		2013 DS	DP	4344 FL	11/19/2012	11/29/2012
604572	4UZFHCHYXDC		2013 DS	DP	4324 FL	11/6/2012	11/13/2012
604573	4UZFHCHY6DC		2013 DS	DP	4347 FL	11/12/2012	11/20/2012
604574	4UZFHCHYXDC		2013 DS	DP	4353 FL	11/21/2012	11/30/2012
604575	4UZFHCHY0DC		2013 DS	DP	4347 FL	11/27/2012	12/4/2012
604576	4UZFHCHY2DC		2013 DS	DP	4338 FL	11/29/2012	12/7/2012
604577	4UZFHCHY4DC		2013 DS	DP	4318 FL	12/11/2012	12/18/2012
604578	4UZFHCHY8DC		2013 DS	DP	4318 FL	11/2/2012	11/12/2012
604579	4UZFHCHY5DC		2013 DS	DP	4038 FL	11/12/2012	11/19/2012
604581	4UZFHCHYXDC		2013 DS	DP	4347 FL	12/7/2012	12/14/2012
604583	4UZFHCHY6DC		2013 DS	DP	4318 FL	11/28/2012	12/5/2012
604585	4UZFHCHY8DC		2013 DS	DP	4344 FL	11/30/2012	12/7/2012
604586	4UZFHCHY6DC		2013 DS	DP	4318 FL	12/12/2012	12/19/2012
604587	4UZFHCHY8DC		2013 DS	DP	4347 FL	12/3/2012	12/10/2012
604588	4UZFHCHY8DC		2013 DS	DP	4018 FL	12/14/2012	1/7/2013
604589	4UZFHCHY0DC		2013 DS	DP	4018 FL	12/19/2012	1/10/2013
604590	4UZFHCHY4DC		2013 DS	DP	4038 FL	11/19/2012	11/28/2012
604595	4UZFHCHY4DC		2013 DS	DP	4018 FL	1/24/2013	2/1/2013
604596	4UZFHCHY2DC		2013 DS	DP	4318 FL	1/30/2013	2/8/2013
604597	4UZFHCHY9DC		2013 DS	DP	4018 FL	12/20/2012	1/11/2013
604599	4UZFHCHY1DC		2013 DS	DP	4018 FL	12/10/2012	12/17/2012
604600	4UZFHCHY9DC		2013 DS	DP	4018 FL	2/18/2013	2/26/2013
604601	4UZFHCHY1EC		2013 DS	DP	4318 FL	3/14/2013	3/22/2013
604603	4UZFHCHY3EC		2013 DS	DP	4347 FL	2/4/2013	2/12/2013
604604	4UZFHCHY0EC		2014 DS	DP	4018 FL	2/19/2013	2/27/2013
604605	4UZFHCHY9EC		2014 DS	DP	4374 FL	2/12/2013	2/20/2013
604606	4UZFHCHY6DC		2013 DS	DP	4347 FL	1/22/2013	1/30/2013
604607	4UZFHCHY7EC		2013 DS	DP	4347 FL	2/13/2013	2/21/2013
604608	4UZFHCHY8DC		2013 DS	DP	4344 FL	1/8/2013	1/16/2013
604609	4UZFHCHY7DC		2013 DS	DP	4347 FL	1/28/2013	2/5/2013
604610	4UZFHCHY5EC		2013 DS	DP	4318 FL	2/5/2013	2/13/2013
604611	4UZFHCHY2DC		2013 DS	DP	4347 FL	2/1/2013	2/11/2013
604612	4UZFHCHYXDC		2013 DS	DP	4347 FL	1/11/2013	1/21/2013
604613	4UZFHCHY0DC		2013 DS	DP	4318 FL	1/31/2013	2/8/2013
604614	4UZACHCY1DC		2013 DS	DP	3735 FL	2/26/2013	3/7/2013
604615	4UZFHCHY3EC		2013 DS	DP	4344 FL	2/14/2013	2/22/2013
604616	4UZFHCHY9DC		2013 DS	DP	4347 FL	1/29/2013	2/6/2013
604617	4UZFHCHY4EC		2013 DS	DP	4347 FL	3/1/2013	3/11/2013
604618	4UZFHCHYXEC		2013 DS	DP	4318 FL	2/8/2013	2/18/2013
604619	4UZFHCHY7DC		2013 DS	DP	4018 FL	2/27/2013	3/8/2013
604620	4UZFHCHY0DC		2013 DS	DP	4344 FL	1/30/2013	2/7/2013
604621	4UZFHCHY9DC		2013 DS	DP	4338 FL	2/1/2013	2/11/2013
604622	4UZACHCY9DC		2013 DS	DP	3735 FL	2/28/2013	3/8/2013
604623	4UZFHCHY7EC		2013 DS	DP	4318 FL	2/22/2013	3/4/2013

604624	4UZFHCHY5EC	[REDACTED]	2013 DS	DP	4344 FL	2/11/2013	2/19/2013
604625	4UZFHCHY9DC	[REDACTED]	2013 DS	DP	4018 FL	3/6/2013	3/14/2013
604626	4UZFHCHY8EC	[REDACTED]	2013 DS	DP	4318 FL	3/8/2013	3/18/2013
604628	4UZFHCHY6EC	[REDACTED]	2013 DS	DP	4347 FL	3/5/2013	3/13/2013
604629	4UZFHCHY2EC	[REDACTED]	2013 DS	DP	4038 FL	3/19/2013	3/26/2013
604630	4UZFHCHY3EC	[REDACTED]	2013 DS	DP	4318 FL	3/13/2013	3/21/2013
604631	4UZFHCHYXEC	[REDACTED]	2013 DS	DP	4018 FL	4/3/2013	4/11/2013
604633	4UZFHCHY8DC	[REDACTED]	2013 DS	DP	4018 FL	4/17/2013	4/25/2013
604634	4UZFHCHY9EC	[REDACTED]	2013 DS	DP	4318 FL	3/19/2013	3/27/2013
604636	4UZFHCHY0EC	[REDACTED]	2013 DS	DP	4318 FL	3/19/2013	3/27/2013
604637	4UZFHCHY0EC	[REDACTED]	2013 DS	DP	4347 FL	4/12/2013	4/19/2013
604638	4UZFHCHY8EC	[REDACTED]	2013 DS	DP	4038 FL	4/16/2013	4/23/2013
604639	4UZFHCHY7EC	[REDACTED]	2013 DS	DP	4338 FL	3/22/2013	4/2/2013
604640	4UZFHCHYXDC	[REDACTED]	2013 DS	DP	4347 FL	4/5/2013	4/12/2013
604641	4UZFHCHY4EC	[REDACTED]	2013 DS	DP	4038 FL	4/9/2013	4/17/2013
604642	4UZFHCHY2EC	[REDACTED]	2013 DS	DP	4318 FL	4/19/2013	4/29/2013
604643	4UZFHCHY7EC	[REDACTED]	2013 DS	DP	4018 FL	4/23/2013	4/30/2013
604644	4UZFHCHY1EC	[REDACTED]	2013 DS	DP	4018 FL	3/25/2013	4/3/2013
604645	4UZFHCHYXEC	[REDACTED]	2014 DS	DP	4369 FL	3/27/2013	4/5/2013
604646	4UZFHCHY1DC	[REDACTED]	2013 DS	DP	4347 FL	3/28/2013	4/8/2013
604647	4UZFHCHY3DC	[REDACTED]	2013 DS	DP	4338 FL	3/28/2013	4/8/2013
604648	4UZFHCHY5DC	[REDACTED]	2013 DS	DP	4347 FL	4/8/2013	4/16/2013
604649	4UZFHCHY4EC	[REDACTED]	2013 DS	DP	4347 FL	4/24/2013	5/2/2013
604650	4UZFHCHY1DC	[REDACTED]	2013 DS	DP	4318 FL	4/26/2013	5/6/2013
604654	4UZFHCHY9EC	[REDACTED]	2014 DS	DP	4374 FL	5/21/2013	5/31/2013
604655	4UZFHCHY1EC	[REDACTED]	2014 DS	DP	4364 FL	5/31/2013	6/11/2013
604656	4UZFHCHY9EC	[REDACTED]	2014 DS	DP	4374 FL	11/8/2013	11/18/2013
604657	4UZFHCHY0EC	[REDACTED]	2014 DS	DP	4369 FL	5/21/2013	5/31/2013
604658	4UZFHCHY5EC	[REDACTED]	2014 DS	DP	4369 FL	5/24/2013	6/5/2013
604659	4UZFHCHY3EC	[REDACTED]	2014 DS	DP	4018 FL	5/29/2013	6/7/2013
604660	4UZFHCHY5EC	[REDACTED]	2014 DS	DP	4369 FL	6/3/2013	6/12/2013
604661	4UZACHCY8EC	[REDACTED]	2014 DS	DP	3736 FL	9/27/2013	10/7/2013
604662	4UZFHCHY4EC	[REDACTED]	2014 DS	DP	4374 FL	9/27/2013	10/8/2013
604663	4UZFHCHY6EC	[REDACTED]	2014 DS	DP	4038 FL	10/4/2013	10/15/2013
604664	4UZFHCHY9EC	[REDACTED]	2014 DS	DP	4369 FL	6/3/2013	6/12/2013
604665	4UZFHCHY7EC	[REDACTED]	2013 DS	DP	4347 FL	5/10/2013	5/21/2013
604666	4UZFHCHY8EC	[REDACTED]	2014 DS	DP	4369 FL	5/14/2013	5/23/2013
604667	4UZACHCY2EC	[REDACTED]	2014 DS	DP	3738 FL	9/16/2013	9/25/2013
604668	4UZFHCHY8EC	[REDACTED]	2014 DS	DP	4374 FL	5/13/2013	5/22/2013
604670	4UZFHCHY7EC	[REDACTED]	2014 DS	DP	4374 FL	6/5/2013	6/13/2013
604671	4UZFHCHY3EC	[REDACTED]	2014 DS	DP	4018 FL	11/22/2013	12/4/2013
604672	4UZFHCHY8EC	[REDACTED]	2014 DS	DP	4369 FL	7/16/2013	7/24/2013
604673	4UZFHCHY3EC	[REDACTED]	2014 DS	DP	4018 FL	7/29/2013	8/6/2013
604674	4UZFHCHY8EC	[REDACTED]	2014 DS	DP	4369 FL	7/17/2013	7/25/2013
604675	4UZFHCHY8EC	[REDACTED]	2014 DS	DP	4018 FL	6/20/2013	7/8/2013
604676	4UZFHCHY9EC	[REDACTED]	2014 DS	DP	4374 FL	7/25/2013	8/2/2013
604677	4UZFHCHYXEC	[REDACTED]	2014 DS	DP	4374 FL	8/23/2013	9/4/2013
604680	4UZFHCHY7EC	[REDACTED]	2014 DS	DP	4364 FL	5/22/2013	6/3/2013
604682	4UZACHCY1EC	[REDACTED]	2014 DS	DP	3736 FL	7/9/2013	7/17/2013
604683	4UZFHCHYXEC	[REDACTED]	2014 DS	DP	4369 FL	5/7/2013	5/16/2013
604684	4UZFHCHY1EC	[REDACTED]	2014 DS	DP	4018 FL	5/6/2013	5/15/2013
604685	4UZFHCHYXEC	[REDACTED]	2014 DS	DP	4360 FL	5/14/2013	5/23/2013

604686	4UZACHCY2EC	[REDACTED]	2014 DS	DP	3738 FL	10/10/2013	10/21/2013
604687	4UZACHCYXEC	[REDACTED]	2014 DS	DP	3736 FL	5/15/2013	5/24/2013
604688	4UZFCHCY6EC	[REDACTED]	2014 DS	DP	4369 FL	7/24/2013	8/1/2013
604689	4UZFCHCY0EC	[REDACTED]	2014 DS	DP	4018 FL	6/17/2013	6/25/2013
604692	4UZFCHCY1EC	[REDACTED]	2014 DS	DP	4018 FL	7/11/2013	7/19/2013
604693	4UZFCHCY0EC	[REDACTED]	2014 DS	DP	4018 FL	7/30/2013	8/6/2013
604694	4UZACHCY4EC	[REDACTED]	2014 DS	DP	3736 FL	8/12/2013	8/21/2013
604695	4UZFCHCY0EC	[REDACTED]	2014 DS	DP	4374 FL	7/31/2013	8/7/2013
604696	4UZACHCY3EC	[REDACTED]	2014 DS	DP	3736 FL	8/16/2013	8/26/2013
604697	4UZFCHCYXEC	[REDACTED]	2014 DS	DP	4018 FL	6/7/2013	6/17/2013
604698	4UZACHCY3EC	[REDACTED]	2014 DS	DP	3738 FL	9/13/2013	9/24/2013
604699	4UZFCHCY0EC	[REDACTED]	2014 DS	DP	4364 FL	7/23/2013	7/31/2013
604700	4UZFCHCY9EC	[REDACTED]	2014 DS	DP	4018 FL	6/13/2013	6/21/2013
604701	4UZFCHCY9EC	[REDACTED]	2014 DS	DP	4018 FL	7/22/2013	7/30/2013
604702	4UZACHCY2EC	[REDACTED]	2014 DS	DP	3736 FL	7/18/2013	7/26/2013
604703	4UZACHCY7EC	[REDACTED]	2014 DS	DP	3736 FL	6/20/2013	7/8/2013
604704	4UZFCHCY6EC	[REDACTED]	2014 DS	DP	4369 FL	8/6/2013	8/14/2013
604705	4UZFCHCY6EC	[REDACTED]	2014 DS	DP	4369 FL	7/18/2013	7/26/2013
604706	4UZFCHCY6EC	[REDACTED]	2014 DS	DP	4373 FL	8/15/2013	8/26/2013
604707	4UZACHCY9EC	[REDACTED]	2014 DS	DP	3736 FL	6/25/2013	7/11/2013
604708	4UZFCHCYXEC	[REDACTED]	2014 DS	DP	4364 FL	7/12/2013	7/22/2013
604709	4UZFCHCY2EC	[REDACTED]	2014 DS	DP	4374 FL	7/22/2013	7/30/2013
604712	4UZFCHCY1EC	[REDACTED]	2014 DS	DP	4364 FL	8/14/2013	8/23/2013
604714	4UZFCHCY4EC	[REDACTED]	2014 DS	DP	4018 FL	6/21/2013	7/9/2013
604715	4UZFCHCY8EC	[REDACTED]	2014 DS	DP	4364 FL	8/21/2013	8/29/2013
604716	4UZFCHCY9EC	[REDACTED]	2014 DS	DP	4364 FL	6/21/2013	7/8/2013
604718	4UZFCHCY2EC	[REDACTED]	2014 DS	DP	4360 FL	8/1/2013	8/9/2013
604719	4UZFCHCY5EC	[REDACTED]	2014 DS	DP	4369 FL	8/16/2013	8/27/2013
604720	4UZFCHCY6EC	[REDACTED]	2014 DS	DP	4374 FL	8/27/2013	9/5/2013
604723	4UZFCHCY8EC	[REDACTED]	2014 DS	DP	4369 FL	9/9/2013	9/18/2013
604724	4UZFCHCY3EC	[REDACTED]	2014 DS	DP	4369 FL	7/19/2013	7/29/2013
604725	4UZFCHCY4EC	[REDACTED]	2014 DS	DP	4372 FL	8/2/2013	8/12/2013
604728	4UZFCHCYXEC	[REDACTED]	2014 DS	DP	4038 FL	8/8/2013	8/16/2013
604729	4UZFCHCY2EC	[REDACTED]	2014 DS	DP	4038 FL	8/9/2013	8/19/2013
604731	4UZFCHCY4EC	[REDACTED]	2014 DS	DP	4364 FL	8/28/2013	9/9/2013
604732	4UZFCHCY5EC	[REDACTED]	2014 DS	DP	4374 FL	9/17/2013	9/26/2013
604733	4UZFCHCY5EC	[REDACTED]	2014 DS	DP	4018 FL	8/30/2013	9/11/2013
604734	4UZACHCY5EC	[REDACTED]	2014 DS	DP	3736 FL	9/3/2013	9/11/2013
604735	4UZFCHCY8EC	[REDACTED]	2014 DS	DP	4369 FL	9/4/2013	9/13/2013
604736	4UZFCHCYXEC	[REDACTED]	2014 DS	DP	4369 FL	9/5/2013	9/13/2013
604737	4UZFCHCY9EC	[REDACTED]	2014 DS	DP	4018 FL	8/19/2013	8/27/2013
604738	4UZFCHCY1EC	[REDACTED]	2014 DS	DP	4018 FL	9/23/2013	10/2/2013
604739	4UZFCHCYXEC	[REDACTED]	2014 DS	DP	4369 FL	9/10/2013	9/18/2013
604740	4UZFCHCY9EC	[REDACTED]	2014 DS	DP	4364 FL	11/1/2013	11/11/2013
604741	4UZACHCY4EC	[REDACTED]	2014 DS	DP	3736 FL	9/24/2013	10/2/2013
604742	4UZFCHCY3EC	[REDACTED]	2014 DS	DP	4018 FL	8/9/2013	8/20/2013
604743	4UZFCHCY0EC	[REDACTED]	2014 DS	DP	4369 FL	8/7/2013	8/15/2013
604744	4UZFCHCY7EC	[REDACTED]	2014 DS	DP	4018 FL	8/5/2013	8/13/2013
604745	4UZFCHCY4EC	[REDACTED]	2014 DS	DP	4360 FL	11/8/2013	11/19/2013
604746	4UZFCHCY9EC	[REDACTED]	2014 DS	DP	4369 FL	9/18/2013	9/26/2013
604747	4UZFCHCY3EC	[REDACTED]	2014 DS	DP	4369 FL	9/19/2013	9/27/2013
604748	4UZACHCY0EC	[REDACTED]	2014 DS	DP	3736 FL	10/1/2013	10/9/2013

604749	4UZFHCHY6EC	[REDACTED]	2014 DS	DP	4360 FL	8/29/2013	9/9/2013
604750	4UZFHCHY0EC	[REDACTED]	2014 DS	DP	4369 FL	10/25/2013	11/5/2013
604751	4UZFHCHYXEC	[REDACTED]	2014 DS	DP	4018 FL	10/1/2013	10/10/2013
604752	4UZFHCHY2EC	[REDACTED]	2014 DS	DP	4374 FL	9/24/2013	10/3/2013
604753	4UZFHCHY8EC	[REDACTED]	2014 DS	DP	4018 FL	9/10/2013	9/19/2013
604754	4UZFHCHY6EC	[REDACTED]	2014 DS	DP	4018 FL	9/11/2013	9/20/2013
604755	4UZFHCHYXEC	[REDACTED]	2014 DS	DP	4369 FL	9/12/2013	9/20/2013
604756	4UZFHCHY8EC	[REDACTED]	2014 DS	DP	4018 FL	9/25/2013	10/3/2013
604757	4UZFHCHY2EC	[REDACTED]	2014 DS	DP	4369 FL	10/21/2013	10/29/2013
604758	4UZFHCHY6EC	[REDACTED]	2014 DS	DP	4018 FL	11/4/2013	11/12/2013
604759	4UZFHCHY1EC	[REDACTED]	2014 DS	DP	4018 FL	11/15/2013	11/26/2013
604760	4UZFHCHY5EC	[REDACTED]	2014 DS	DP	4369 FL	11/26/2013	12/6/2013
604761	4UZFHCHY3EC	[REDACTED]	2014 DS	DP	4018 FL	11/25/2013	12/5/2013
604762	4UZFHCHY9EC	[REDACTED]	2014 DS	DP	4369 FL	11/26/2013	12/6/2013
604763	4UZFHCHYXEC	[REDACTED]	2014 DS	DP	4018 FL	11/18/2013	11/26/2013
604764	4UZFHCHY9EC	[REDACTED]	2014 DS	DP	4374 FL	11/19/2013	11/27/2013
604765	4UZFHCHY9EC	[REDACTED]	2014 DS	DP	4360 FL	11/26/2013	12/6/2013
604766	4UZFHCHY9EC	[REDACTED]	2014 DS	DP	4018 FL	10/21/2013	10/30/2013
604767	4UZFHCHY7EC	[REDACTED]	2014 DS	DP	4369 FL	11/19/2013	12/2/2013
604768	4UZFHCHY4EC	[REDACTED]	2014 DS	DP	4018 FL	10/2/2013	10/10/2013
604771	4UZFHCHY7EC	[REDACTED]	2014 DS	DP	4374 FL	11/27/2013	12/9/2013
604772	4UZFHCHY1EC	[REDACTED]	2014 DS	DP	4373 FL	11/20/2013	12/2/2013
604773	4UZFHCHY9EC	[REDACTED]	2014 DS	DP	4369 FL	10/2/2013	10/11/2013
604774	4UZFHCHY0EC	[REDACTED]	2014 DS	DP	4369 FL	10/3/2013	10/14/2013
604775	4UZFHCHY9EC	[REDACTED]	2014 DS	DP	4369 FL	11/4/2013	11/12/2013
604776	4UZFHCHY0EC	[REDACTED]	2014 DS	DP	4369 FL	12/16/2013	1/10/2014
604777	4UZFHCHY3EC	[REDACTED]	2014 DS	DP	4369 FL	12/3/2013	12/11/2013
604778	4UZFHCHY5EC	[REDACTED]	2014 DS	DP	4369 FL	12/4/2013	12/12/2013
604779	4UZFHCHY2EC	[REDACTED]	2014 DS	DP	4369 FL	11/20/2013	12/3/2013
604780	4UZFHCHY9EC	[REDACTED]	2014 DS	DP	4369 FL	11/21/2013	12/3/2013
604781	4UZACHCY1EC	[REDACTED]	2014 DS	DP	3736 FL	11/5/2013	11/13/2013
604782	4UZFHCHY7EC	[REDACTED]	2014 DS	DP	4364 FL	11/5/2013	11/14/2013
604783	4UZFHCHY0EC	[REDACTED]	2014 DS	DP	4364 FL	11/6/2013	11/14/2013
604784	4UZFHCHY1EC	[REDACTED]	2014 DS	DP	4364 FL	9/19/2013	9/30/2013
604785	4UZFHCHY1EC	[REDACTED]	2014 DS	DP	4038 FL	10/28/2013	11/5/2013
604786	4UZFHCHY1EC	[REDACTED]	2014 DS	DP	4374 FL	10/29/2013	11/6/2013
604787	4UZFHCHY5EC	[REDACTED]	2014 DS	DP	4018 FL	10/17/2013	10/28/2013
604788	4UZFHCHYXEC	[REDACTED]	2014 DS	DP	4364 FL	10/29/2013	11/6/2013
604789	4UZFHCHYXEC	[REDACTED]	2014 DS	DP	4369 FL	11/11/2013	11/19/2013
604790	4UZFHCHY4EC	[REDACTED]	2014 DS	DP	4374 FL	12/16/2013	1/10/2014
604792	4UZFHCHY8EC	[REDACTED]	2014 DS	DP	4018 FL	11/12/2013	11/20/2013
604793	4UZFHCHY7EC	[REDACTED]	2014 DS	DP	4364 FL	9/25/2013	10/4/2013
604794	4UZFHCHY5EC	[REDACTED]	2014 DS	DP	4369 FL	11/13/2013	11/21/2013
604795	4UZFHCHY0EC	[REDACTED]	2014 DS	DP	4364 FL	10/14/2013	10/23/2013
604796	4UZFHCHY7EC	[REDACTED]	2014 DS	DP	4360 FL	9/13/2013	9/23/2013
604797	4UZFHCHY8EC	[REDACTED]	2014 DS	DP	4374 FL	11/13/2013	11/21/2013
604798	4UZFHCHY9EC	[REDACTED]	2014 DS	DP	4364 FL	12/4/2013	12/12/2013
604799	4UZFHCHY5EC	[REDACTED]	2014 DS	DP	4360 FL	9/23/2013	10/1/2013
604800	4UZFHCHY3EC	[REDACTED]	2014 DS	DP	4374 FL	11/7/2013	11/18/2013
604801	4UZFHCHY0EC	[REDACTED]	2014 DS	DP	4364 FL	11/14/2013	11/22/2013
604802	4UZFHCHY8EC	[REDACTED]	2014 DS	DP	4038 FL	12/5/2013	12/13/2013
604807	4UZFHCHY6EC	[REDACTED]	2014 DS	DP	4018 FL	10/7/2013	10/16/2013

604809	4UZFCHCY8EC		2014 DS	DP	4364 FL	10/24/2013	11/4/2013
604810	4UZFCHCY8EC		2014 DS	DP	4018 FL	10/22/2013	10/31/2013
604811	4UZFCHCY5EC		2014 DS	DP	4364 FL	11/1/2013	11/11/2013
604812	4UZFCHCY6EC		2014 DS	DP	4038 FL	10/16/2013	10/25/2013
604813	4UZFCHCY3EC		2014 DS	DP	4369 FL	10/30/2013	11/8/2013
604814	4UZFCHCYXEC		2014 DS	DP	4369 FL	10/23/2013	11/1/2013
604815	4UZFCHCY7EC		2014 DS	DP	4018 FL	10/23/2013	11/1/2013
604816	4UZFCHCY4EC		2014 DS	DP	4018 FL	11/6/2013	11/15/2013
604817	4UZFCHCYXEC		2014 DS	DP	4018 FL	11/14/2013	11/22/2013
604818	4UZFCHCY5EC		2014 DS	DP	4364 FL	11/7/2013	11/15/2013
604819	4UZFCHCY6EC		2014 DS	DP	4018 FL	10/31/2013	11/8/2013
604820	4UZFCHCYXEC		2014 DS	DP	4369 FL	12/5/2013	12/13/2013
604821	4UZFCHCY3EC		2014 DS	DP	4369 FL	11/22/2013	12/4/2013
604823	4UZFCHCY7EC		2014 DS	DP	4018 FL	10/18/2013	10/28/2013
604824	4UZFCHCYXEC		2014 DS	DP	4018 FL	10/31/2013	11/8/2013
604825	4UZFCHCY1EC		2014 DS	DP	4018 FL	11/14/2013	11/22/2013
604826	4UZFCHCY5EC		2014 DS	DP	4018 FL	12/5/2013	12/16/2013
604827	4UZFCHCY6EC		2014 DS	DP	4038 FL	11/14/2013	11/22/2013
604828	4UZACHCY0EC		2014 DS	DP	3736 FL	11/8/2013	11/18/2013
604830	4UZFCHCY0EC		2014 DS	DP	4018 FL	11/27/2013	12/9/2013
604831	4UZFCHCY7EC		2014 DS	DP	4369 FL	12/6/2013	12/16/2013
604832	4UZFCHCY7EC		2014 DS	DP	4372 FL	12/9/2013	12/17/2013
604833	4UZFCHCY5EC		2014 DS	DP	4369 FL	11/27/2013	12/10/2013
604835	4UZACHCYXEC		2014 DS	DP	3736 FL	12/3/2013	12/12/2013
604836	4UZFCHCY6EC		2014 DS	DP	4018 FL	12/9/2013	12/18/2013
604838	4UZFCHCY8EC		2014 DS	DP	4369 FL	12/18/2013	1/15/2014
604840	4UZFCHCY7EC		2014 DS	DP	4374 FL	12/11/2013	1/8/2014
604841	4UZFCHCY2EC		2014 DS	DP	4369 FL	12/10/2013	12/18/2013
604844	4UZACHCY3EC		2014 DS	DP	3736 FL	12/6/2013	12/16/2013
604845	4UZFCHCY1EC		2014 DS	DP	4369 FL	12/6/2013	12/16/2013
604850	4UZFCHCY7EC		2014 DS	DP	4364 FL	12/12/2013	1/8/2014
604851	4UZFCHCY6EC		2014 DS	DP	4369 FL	12/6/2013	12/17/2013
604864	4UZACHCYXEC		2014 DS	DP	3736 FL	12/13/2013	1/9/2014
604870	4UZFCHCY6EC		2014 DS	DP	4373 FL	12/17/2013	1/13/2014
703977	4VZBN1D958C		2008 KS	DP	3910 S	6/11/2007	6/21/2007
703992	4VZBN1D908C		2008 KS	DP	3916 S	5/31/2007	6/11/2007
704004	4VZBN1D958C		2008 KS	DP	3943 S	5/31/2007	6/11/2007
704024	4VZBN1B968C		2008 KS	DP	3624 S	5/29/2007	6/6/2007
704025	4VZBN1D998C		2008 KS	DP	3910 S	5/29/2007	6/6/2007
704031	4VZBN1D998C		2008 KS	DP	3916 S	6/6/2007	6/18/2007
704032	4VZBN1D978C		2008 KS	DP	3916 S	6/13/2007	6/25/2007
704033	4VZBN1B908C		2008 KS	DP	3623 S	6/12/2007	6/25/2007
704034	4VZBN1B938C		2008 KS	DP	3623 S	6/21/2007	7/16/2007
704035	4VZBN1D918C		2008 KS	DP	3912 S	6/4/2007	6/14/2007
704036	4VZBN1D908C		2008 KS	DP	3916 S	6/13/2007	6/26/2007
704037	4VZBN1D938C		2008 KS	DP	3960 S	6/11/2007	6/20/2007
704041	4VZBN1D928C		2008 KS	DP	3916 S	6/21/2007	7/16/2007
704042	4VZBN1D978C		2008 KS	DP	3910 S	6/19/2007	7/12/2007
704043	4VZBN1D958C		2008 KS	DP	3910 S	6/19/2007	7/11/2007
704047	4VZBN1D928C		2008 KS	DP	3910 S	6/14/2007	6/27/2007
704048	4VZBN1D948C		2008 KS	DP	3960 S	6/25/2007	7/17/2007
704049	4VZBN1D998C		2008 KS	DP	3910 S	7/12/2007	7/23/2007

704050	4VZBN1D908C		2008 KS	DP	3910 S	7/19/2007	7/31/2007
704051	4VZBN1D998C		2008 KS	DP	3916 S	6/14/2007	6/27/2007
704053	4VZBN1D928C		2008 KS	DP	3910 S	6/26/2007	7/18/2007
704055	4VZBN1B908C		2008 KS	DP	3624 S	7/13/2007	7/25/2007
704056	4VZBN1B918C		2008 KS	DP	3624 S	7/13/2007	7/25/2007
704058	4VZBN1B988C		2008 KS	DP	3623 S	7/23/2007	8/2/2007
704059	4VZBN1D948C		2008 KS	DP	3910 S	7/17/2007	7/26/2007
704061	4VZBN1D918C		2008 KS	DP	3916 S	7/24/2007	8/2/2007
704063	4VZBN1D978C		2008 KS	DP	3910 S	7/18/2007	7/30/2007
704064	4VZBN1D968C		2008 KS	DP	3910 S	7/18/2007	7/30/2007
704065	4VZBN1D968C		2008 KS	DP	3912 S	7/26/2007	8/8/2007
704066	4VZBN1D998C		2008 KS	DP	3910 S	7/19/2007	7/31/2007
704067	4VZBN1D9X8C		2008 KS	DP	3916 S	7/24/2007	8/1/2007
704068	4VZBN1D948C		2008 KS	DP	3910 S	7/26/2007	8/7/2007
704069	4VZBN1D968C		2008 KS	DP	3916 S	7/25/2007	8/6/2007
704070	4VZBN1D988C		2008 KS	DP	3910 S	8/1/2007	8/13/2007
704071	4VZBN1D968C		2008 KS	DP	3910 S	8/6/2007	8/15/2007
704072	4VZBN1D9X8C		2008 KS	DP	3960 S	8/2/2007	8/15/2007
704074	4VZBN1D918C		2008 KS	DP	3916 S	8/20/2007	8/29/2007
704075	4VZBN1D9X8C		2008 KS	DP	3910 S	9/13/2007	9/25/2007
704076	4VZBN1B928C		2008 KS	DP	3624 S	8/13/2007	8/22/2007
704078	4VZBN1D908C		2008 KS	DP	3960 S	8/22/2007	9/4/2007
704079	4VZBN1D9X8C		2008 KS	DP	3916 S	8/16/2007	8/28/2007
704080	4VZBN1D998C		2008 KS	DP	3910 S	8/27/2007	9/6/2007
704081	4VZBN1B958C		2008 KS	DP	3624 S	8/27/2007	9/5/2007
704082	4VZBN1D9X8C		2008 KS	DP	3912 S	8/30/2007	9/10/2007
704083	4VZBN1D968C		2008 KS	DP	3960 S	8/29/2007	9/10/2007
704084	4VZBN1D928C		2008 KS	DP	3910 S	8/28/2007	9/6/2007
704085	4VZBN1D958C		2008 KS	DP	3912 S	9/18/2007	9/27/2007
704086	4VZBN1D968C		2008 KS	DP	3943 S	9/11/2007	9/20/2007
704087	4VZBN1D968C		2008 KS	DP	3910 S	9/12/2007	9/24/2007
704088	4VZBN1D988C		2008 KS	DP	3910 S	9/4/2007	9/12/2007
704089	4VZBN1D908C		2008 KS	DP	3910 S	8/27/2007	9/6/2007
704090	4VZBN1D938C		2008 KS	DP	3916 S	9/10/2007	9/19/2007
704091	4VZBN1D918C		2008 KS	DP	3910 S	9/10/2007	9/19/2007
704093	4VZBN1B988C		2008 KS	DP	3624 S	9/4/2007	9/12/2007
704094	4VZBN1D9X8C		2008 KS	DP	3910 S	10/17/2007	10/29/2007
704095	4VZBN1D9X8C		2008 KS	DP	3943 S	9/25/2007	10/4/2007
704098	4VZBN1B998C		2008 KS	DP	3623 S	9/24/2007	10/3/2007
704099	4VZBN1D988C		2008 KS	DP	3910 S	9/20/2007	10/2/2007
704102	4VZBN1D968C		2008 KS	DP	3916 S	9/25/2007	10/4/2007
704103	4VZBN1D958C		2008 KS	DP	3916 S	9/26/2007	10/8/2007
704104	4VZBN1D948C		2008 KS	DP	3910 S	9/24/2007	10/3/2007
704105	4VZBN1D948C		2008 KS	DP	3910 S	9/19/2007	10/1/2007
704106	4VZBN1D978C		2008 KS	DP	3916 S	9/26/2007	10/8/2007
704108	4VZBN1B978C		2008 KS	DP	3624 S	9/18/2007	10/1/2007
704109	4VZBN1D938C		2008 KS	DP	3916 S	9/25/2007	10/4/2007
704111	4VZBN1D998C		2008 KS	DP	3910 S	9/27/2007	10/9/2007
704116	4VZBN1D948C		2008 KS	DP	3916 S	10/15/2007	10/24/2007
704117	4VZBN1D918C		2008 KS	DP	3910 S	9/26/2007	10/8/2007
704118	4VZBN1D998C		2008 KS	DP	3910 S	10/3/2007	10/15/2007
704119	4VZBN1B948C		2008 KS	DP	3624 S	9/27/2007	10/11/2007

704123	4VZBN1D918C	2008 KS	DP	3916 S	10/17/2007	10/29/2007
704124	4VZBN1D998C	2008 KS	DP	3910 S	10/15/2007	10/24/2007
704125	4VZBN1D918C	2008 KS	DP	3916 S	10/8/2007	10/17/2007
704126	4VZBN1D9X8C	2008 KS	DP	3910 S	10/8/2007	10/17/2007
704127	4VZBN1D9X8C	2008 KS	DP	3910 S	11/1/2007	11/13/2007
704128	4VZBN1D948C	2008 KS	DP	3910 S	10/4/2007	10/16/2007
704130	4VZBN1D948C	2008 KS	DP	3916 S	10/24/2007	11/6/2007
704131	4VZBN1D988C	2008 KS	DP	3910 S	10/29/2007	11/7/2007
704132	4VZBN1D928C	2008 KS	DP	3960 S	10/22/2007	10/31/2007
704133	4VZBN1D978C	2008 KS	DP	3910 S	10/23/2007	11/1/2007
704134	4VZBN1D938C	2008 KS	DP	3916 S	11/1/2007	11/13/2007
704135	4VZBN1D978C	2008 KS	DP	3912 S	10/11/2007	10/24/2007
704137	4VZBN1D958C	2008 KS	DP	3916 S	10/24/2007	11/5/2007
704139	4VZBN1D938C	2008 KS	DP	3960 S	11/6/2007	11/15/2007
704140	4VZBN1D918C	2008 KS	DP	3910 S	10/31/2007	11/12/2007
704141	4VZBN1D918C	2008 KS	DP	3910 S	10/31/2007	11/12/2007
704143	4VZBN1D968C	2008 KS	DP	3910 S	11/8/2007	11/20/2007
704144	4VZBN1B968C	2008 KS	DP	3623 S	11/8/2007	11/20/2007
704159	4VZBN1D928C	2008 KS	DP	3943 S	12/5/2007	12/17/2007
704160	4VZBN1D998C	2008 KS	DP	3910 S	12/5/2007	12/18/2007
704162	4VZBN1D958C	2008 KS	DP	3910 S	11/12/2007	11/21/2007
704163	4VZBN1D908C	2008 KS	DP	3910 S	11/13/2007	11/21/2007
704165	4VZBN1D968C	2008 KS	DP	3910 S	11/15/2007	11/29/2007
704166	4VZBN1D928C	2008 KS	DP	3916 S	11/14/2007	11/28/2007
704168	4VZBN1D918C	2008 KS	DP	3910 S	11/15/2007	11/29/2007
704169	4VZBN1D9X8C	2008 KS	DP	3912 S	11/19/2007	11/30/2007
704170	4VZBN1D928C	2008 KS	DP	3916 S	11/21/2007	12/4/2007
704171	4VZBN1D9X8C	2008 KS	DP	3910 S	11/20/2007	12/3/2007
704172	4VZBN1B938C	2008 KS	DP	3623 S	11/19/2007	11/30/2007
704173	4VZBN1D968C	2008 KS	DP	3916 S	11/29/2007	12/10/2007
704174	4VZBN1D958C	2008 KS	DP	3910 S	12/4/2007	12/13/2007
704175	4VZBN1D948C	2008 KS	DP	3910 S	11/27/2007	12/5/2007
704176	4VZBN1D998C	2008 KS	DP	3910 S	11/28/2007	12/6/2007
704177	4VZBN1D9X8C	2008 KS	DP	3916 S	11/29/2007	12/10/2007
704178	4VZBN1D908C	2008 KS	DP	3912 S	11/28/2007	12/6/2007
704179	4VZBN1D998C	2008 KS	DP	3960 S	11/29/2007	12/10/2007
704181	4VZBN1D988C	2008 KS	DP	3910 S	11/28/2007	12/6/2007
704182	4VZBN1D908C	2008 KS	DP	3910 S	12/4/2007	12/13/2007
704183	4VZBN1D978C	2008 KS	DP	3910 S	11/30/2007	12/11/2007
704184	4VZBN1D968C	2008 KS	DP	3916 S	11/30/2007	12/11/2007
704185	4VZBN1D938C	2008 KS	DP	3916 S	11/27/2007	12/5/2007
704186	4VZBN1D978C	2008 KS	DP	3910 S	11/28/2007	12/6/2007
704189	4VZBR1B9X9C	2009 DS	DP	3623 S	12/19/2007	1/16/2008
704190	4VZBR1D959C	2009 DS	DP	4010 S	1/10/2008	1/23/2008
704191	4VZBN1D918C	2008 KS	DP	3910 S	1/21/2008	2/12/2008
704192	4VZBN1D938C	2008 KS	DP	3912 S	12/3/2007	12/12/2007
704195	4VZBN1B988C	2008 KS	DP	3624 S	12/11/2007	1/8/2008
704196	4VZBN1B968C	2008 KS	DP	3623 S	12/10/2007	12/19/2007
704197	4VZBN1D988C	2008 KS	DP	3943 S	12/10/2007	1/9/2008
704198	4VZBN1D918C	2008 KS	DP	3916 S	12/13/2007	1/10/2008
704199	4VZBN1D9X8C	2008 KS	DP	3916 S	12/10/2007	1/9/2008
704202	4VZBN1D998C	2008 KS	DP	3943 S	12/18/2007	1/15/2008

704206	4VZBN1B968C	2008 KS	DP	3916 S	1/14/2008	1/23/2008
704207	4VZBN1D988C	2008 KS	DP	3910 S	1/9/2008	1/21/2008
704208	4VZBN1D958C	2008 KS	DP	3910 S	1/23/2008	2/14/2008
704214	4VZBN1D918C	2008 KS	DP	3910 S	1/30/2008	2/25/2008
704215	4VZBN1D938C	2008 KS	DP	3910 S	2/14/2008	3/3/2008
704216	4VZBN1D918C	2008 KS	DP	3916 S	2/14/2008	3/4/2008
704218	4VZBN1D998C	2008 KS	DP	3960 S	3/11/2008	4/1/2008
704219	4VZBN1D938C	2008 KS	DP	3910 S	2/19/2008	3/5/2008
704220	4VZBN1D978C	2008 KS	DP	3910 S	2/27/2008	3/17/2008
704221	4VZBN1D958C	2008 KS	DP	3910 S	2/27/2008	3/17/2008
704224	4VZBN1D968C	2008 KS	DP	3910 S	3/12/2008	4/2/2008
704225	4VZBN1B968C	2008 KS	DP	3623 S	3/5/2008	3/19/2008
704227	4VZBN1D988C	2008 KS	DP	3910 S	3/18/2008	4/9/2008
704228	4VZBN1D918C	2008 KS	DP	3910 S	3/18/2008	4/8/2008
704229	4VZBN1D988C	2008 KS	DP	3910 S	3/31/2008	4/14/2008
704230	4VZBN1D908C	2008 KS	DP	3943 S	3/19/2008	4/10/2008
704231	4VZBN1D998C	2008 KS	DP	3943 S	3/19/2008	4/10/2008
704232	4VZBN1B938C	2008 KS	DP	3910 S	4/7/2008	4/17/2008
704233	4VZBN1D958C	2008 KS	DP	3943 S	4/24/2008	5/7/2008
740002	4VZBT1D969C	2009 DA	DP	4304 S	4/17/2008	4/29/2008
740003	4VZBR1D918C	2009 DA	DP	4055 S	4/8/2008	4/22/2008
740004	4VZBT1D909C	2009 DA	DP	4317 S	5/5/2008	5/15/2008
740005	4VZBT1D979C	2009 DA	DP	4331 S	4/28/2008	5/8/2008
740006	4VZBT1D979C	2009 DA	DP	4331 S	5/13/2008	5/27/2008
740007	4VZBR1D9X9C	2009 DA	DP	4085 S	5/19/2008	5/30/2008
740008	4VZBT1D909C	2009 DA	DP	4317 S	5/6/2008	5/15/2008
740009	4VZBT1D979C	2009 DA	DP	4304 S	4/10/2008	4/22/2008
740010	4VZBR1D939C	2009 DA	DP	4055 S	4/7/2008	4/21/2008
740011	4VZBT1D999C	2009 DA	DP	4304 S	4/10/2008	4/30/2008
740014	4VZBT1D909C	2009 DA	DP	4331 S	4/14/2008	4/23/2008
740016	4VZBT1D9X9C	2009 DA	DP	4331 S	4/30/2008	5/13/2008
740017	4VZBT1D929C	2009 DA	DP	4304 S	4/15/2008	4/24/2008
740018	4VZBT1D929C	2009 DA	DP	4331 S	4/15/2008	4/24/2008
740019	4VZBT1D949C	2009 DA	DP	4304 S	4/16/2008	4/28/2008
740021	4VZBT1D929C	2009 DA	DP	4317 S	5/7/2008	5/20/2008
740022	4VZBT1D959C	2009 DA	DP	4320 S	4/24/2008	5/7/2008
740023	4VZBT1D919C	2009 DA	DP	4304 S	5/2/2008	5/14/2008
740024	4VZBT1D999C	2009 DA	DP	4304 S	5/2/2008	5/14/2008
740025	4VZBR1D919C	2009 DA	DP	4023 S	5/12/2008	5/21/2008
740026	4VZBT1D919C	2009 DA	DP	4320 S	5/22/2008	6/10/2008
740027	4VZBT1D9X9C	2009 DA	DP	4304 S	5/21/2008	6/9/2008
740029	4VZBT1D949C	2009 DA	DP	4317 S	5/13/2008	5/27/2008
740030	4VZBT1D949C	2009 DA	DP	4304 S	5/28/2008	6/12/2008
740031	4VZBT1D969C	2009 DA	DP	4331 S	6/11/2008	7/17/2008
740032	4VZBT1D999C	2009 DA	DP	4331 S	6/12/2008	7/23/2008
740033	4VZBR1D929C	2009 DA	DP	4085 S	6/12/2008	7/23/2008
740034	4VZBT1D919C	2009 DA	DP	4304 S	6/12/2008	7/22/2008
740036	4VZBR1D9X9C	2009 DA	DP	4023 S	7/15/2008	8/6/2008
740038	4VZBT1D919C	2009 DA	DP	4331 S	8/6/2008	9/2/2008
740039	4VZBR1D939C	2009 DA	DP	4023 S	8/7/2008	9/3/2008
740040	4VZBR1D949C	2009 DA	DP	4055 S	7/30/2008	8/25/2008
740041	4VZBT1D939C	2009 DA	DP	4304 S	8/5/2008	8/27/2008

740043	4VZBR1D959C		2009	DA	DP	4023	S	8/7/2008	9/4/2008
740044	4VZBT1D989C		2009	DA	DP	4304	S	8/6/2008	9/2/2008
740047	4VZBT1D939C		2009	DA	DP	4304	S	9/2/2008	9/24/2008
740048	4VZBT1D999C		2009	DA	DP	4331	S	9/3/2008	9/24/2008
740049	4VZBT1D979C		2009	DA	DP	4317	S	9/16/2008	10/7/2008
740050	4VZBT1D919C		2009	DA	DP	4320	S	9/17/2008	10/8/2008
740051	4VZBT1D929C		2009	DA	DP	4331	S	9/18/2008	10/9/2008
740052	4VZBT1D969C		2009	DA	DP	4317	S	10/8/2008	10/29/2008
740053	4VZBT1D969C		2009	DA	DP	4331	S	10/8/2008	10/30/2008
740054	4VZBT1D949C		2009	DA	DP	4331	S	10/7/2008	10/29/2008
740055	4VZBT1D929C		2009	DA	DP	4331	S	11/5/2008	12/8/2008
740056	4VZBT1D999C		2009	DA	DP	4317	S	2/3/2009	2/18/2009
740059	4VZBT1D929C		2010	DA	DP	4304	S	4/7/2009	4/20/2009
740061	4VZBR1D949C		2010	DA	DP	4085	S	4/13/2009	4/24/2009
740062	4VZBT1D95AC		2010	DA	DP	4304	S	5/12/2009	5/26/2009
740063	4VZBT1D99AC		2010	DA	DP	4320	S	5/22/2009	6/2/2009
740064	4VZBT1D98AC		2010	DA	DP	4317	S	5/28/2009	6/5/2009
740065	4VZBT1D97AC		2010	DA	DP	4304	S	6/1/2009	6/9/2009
740066	4VZBT1D90AC		2010	DA	DP	4317	S	6/3/2009	6/12/2009
740068	4VZBT1D93AC		2010	DA	DP	4317	S	7/7/2009	7/16/2009
740069	4VZBT1D96AC		2010	DA	DP	4317	S	7/16/2009	7/29/2009
740070	4VZBT1D96AC		2010	DA	DP	4304	S	7/23/2009	8/5/2009
740071	4VZBT1D93AC		2010	DA	DP	4304	S	8/3/2009	8/13/2009
740072	4VZBT1D91AC		2010	DA	DP	4304	S	9/24/2009	10/7/2009
740073	4VZBR1D90AC		2010	DA	DP	4023	S	10/7/2009	10/20/2009
740074	4VZBR1D95AC		2010	DA	DP	4023	S	1/28/2010	2/8/2010
740075	4VZBT1D99BC		2010	DA	DP	4304	S	1/22/2010	2/2/2010

<b>CANADIAN</b>	VIN Number		Year	Brand	Type	Floor	Chass	Date In Prod	Date Off Prod
110161	1F6MF53Y270		2008	BS	CA	2701	F	6/1/2007	6/12/2007
110162	1F6MF53Y070		2008	BS	CA	2701	F	5/29/2007	6/6/2007
110184	1F6NF53Y470		2008	BS	CA	3201	F	9/4/2007	9/12/2007
110185	1F6NF53Y670		2008	BS	CA	3202	F	9/4/2007	9/12/2007
110186	1F6MF53Y370		2008	BS	CA	2701	F	9/13/2007	9/25/2007
110199	1F6MF53Y47		2008	BS	CA	2901	F	8/21/2007	8/30/2007
110206	1F6NF53Y870		2008	BS	CA	3202	F	9/11/2007	9/20/2007
110214	1F6MF53Y27		2008	BS	CA	2901	F	10/23/2007	11/1/2007
110216	1F6MF53Y17		2008	BS	CA	2901	F	10/18/2007	10/30/2007
110218	1F6MF53Y57		2008	BS	CA	2901	F	10/23/2007	11/1/2007
110221	1F6MF53Y27		2008	BS	CA	2901	F	1/23/2008	2/14/2008
110235	1F6MF53Y27		2008	BS	CA	2901	F	12/18/2007	1/15/2008
110238	1F6MF53Y47		2008	BS	CA	2901	F	1/9/2008	1/21/2008
110239	1F6NF53YX70		2008	BS	CA	3201	F	1/9/2008	1/21/2008
110242	1F6NF53Y170		2008	BS	CA	3202	F	12/19/2007	1/16/2008
110243	1F6MF53Y870		2008	BS	CA	2901	F	1/8/2008	1/21/2008
110256	1F6MF53Y380		2008	BS	CA	2901	F	1/29/2008	2/19/2008
110260	1F6MF53Y780		2008	BS	CA	2901	F	2/25/2008	3/12/2008
110261	1F6MF53Y380		2008	BS	CA	2901	F	2/27/2008	3/17/2008
110264	1F6NF53Y880		2008	BS	CA	3304	F	3/5/2008	3/31/2008
110269	1F6MF53Y380		2009	BS	CA	2901	F	4/17/2008	4/30/2008
110270	1F6MF53Y680		2009	BS	CA	2702	F	5/8/2008	5/21/2008
110275	1F6MF53Y880		2009	BS	CA	2702	F	5/13/2008	5/27/2008

110276	1F6NF53Y180	2009 BS	CA	3202 F	4/30/2008	5/13/2008
110279	1F6MF53Y88	2009 BS	CA	2702 F	5/7/2008	5/20/2008
110282	1F6MF53Y68	2009 BS	CA	2702 F	5/12/2008	5/22/2008
110293	1F6MF53Y38	2009 BS	CA	2702 F	6/18/2008	7/30/2008
110295	1F6MF53Y18	2009 BS	CA	2901 F	6/18/2008	7/31/2008
110296	1F6MF53Y18	2009 BS	CA	2901 F	6/16/2008	7/24/2008
110298	1F6MF53Y78	2009 BS	CA	2901 F	8/11/2008	9/15/2008
110299	1F6MF53Y58	2009 BS	CA	2702 F	8/7/2008	9/4/2008
110300	1F6MF53Y98	2009 BS	CA	2702 F	8/25/2008	9/18/2008
110302	1F6MF53Y98	2009 BS	CA	2901 F	9/24/2008	10/16/2008
110303	1F6MF53Y08	2009 BS	CA	2901 F	10/6/2008	10/28/2008
110311	1F6NF53Y880	2009 BS	CA	3202 F	3/9/2009	3/18/2009
110312	1F6MF53Y18	2009 BS	CA	2901 F	3/5/2009	3/17/2009
110315	1F6MF53Y68	2009 BS	CA	2702 F	2/11/2009	3/3/2009
110317	1F6NF53Y280	2009 BS	CA	3202 F	2/12/2009	3/4/2009
110327	1F6MF53Y38	2010 BS	CA	2901 F	5/7/2009	5/20/2009
110342	1F6NF53Y880	2010 BS	CA	2901 F	7/14/2009	7/27/2009
110344	1F6NF53YX80	2010 BS	CA	2901 F	7/16/2009	7/28/2009
110345	1F6NF53Y080	2010 BS	CA	3202 F	8/10/2009	8/20/2009
110346	1F6MF53Y79	2010 BS	CA	2702 F	8/24/2009	9/11/2009
110355	1F6NF53Y190	2010 BS	CA	2702 F	8/20/2009	9/10/2009
110356	1F6NF53Y590	2010 BS	CA	2901 F	8/19/2009	9/9/2009
110386	1F6NF53Y590	2010 BS	CA	3304 F	10/27/2009	11/5/2009
110387	1F6MF53Y49	2010 BS	CA	2901 F	10/29/2009	11/9/2009
110406	1F6NF53Y890	2010 BS	CA	2902 F	12/11/2009	1/13/2010
110408	1F6MF53Y09	2010 BS	CA	2901 F	12/15/2009	1/18/2010
110411	1F6NF53Y290	2010 BS	CA	2902 F	12/16/2009	1/19/2010
110416	1F6NF53Y090	2010 BS	CA	2901 F	2/10/2010	2/19/2010
110423	1F6MF53Y59	2010 BS	CA	2901 F	3/1/2010	3/10/2010
110425	1F6NF53Y690	2010 BS	CA	2901 F	3/4/2010	3/15/2010
110426	1F6NF53YX90	2010 BS	CA	3202 F	3/8/2010	3/16/2010
110427	1F6NF53Y890	2010 BS	CA	3202 F	3/9/2010	3/17/2010
110428	1F6MF53Y79	2010 BS	CA	2901 F	3/10/2010	3/18/2010
110429	1F6MF53YX9	2010 BS	CA	2702 F	3/10/2010	3/18/2010
110431	1F66F5DY9B0	2011 BS	CA	3302 F	3/16/2010	3/23/2010
110432	1F65F5DY5B0	2011 BS	CA	2901 F	3/17/2010	3/29/2010
110455	1F66F5DY1B0	2011 BS	CA	2902 F	5/12/2010	5/24/2010
110456	1F65F5DY7B0	2011 BS	CA	2901 F	5/14/2010	5/25/2010
110457	1F66F5DY0B0	2011 BS	CA	3302 F	5/19/2010	5/27/2010
110462	1F66F5DY2B0	2011 BS	CA	2901 F	6/10/2010	6/21/2010
110463	1F65F5DY9B0	2011 BS	CA	2901 F	6/11/2010	6/22/2010
110476	1F66F5DY5B0	2011 BS	CA	3302 F	7/13/2010	7/26/2010
110477	1F66F5DY9B0	2011 BS	CA	3302 F	7/15/2010	7/27/2010
110479	1F66F5DY3B0	2011 BS	CA	3302 F	7/15/2010	7/28/2010
110480	1F65F5DY6B0	2011 BS	CA	2901 F	7/19/2010	7/29/2010
110481	1F65F5DY4B0	2011 BS	CA	2901 F	7/20/2010	7/30/2010
110488	1F66F5DYXB0	2011 BS	CA	3302 F	8/2/2010	8/10/2010
110489	1F66F5DY3B0	2011 BS	CA	3405 F	8/10/2010	8/19/2010
110494	1F65F5DY2B0	2011 BS	CA	2901 F	8/10/2010	8/19/2010
110498	1F66F5DY3B0	2011 BS	CA	3302 F	8/9/2010	8/18/2010
110509	1F66F5DY3B0	2011 BS	CA	3205 F	9/7/2010	9/16/2010
110510	1F65F5DY1B0	2011 BS	CA	2901 F	9/2/2010	9/15/2010

110511	1F65F5DY3B0		2011 BS	CA	2702 F	9/8/2010	9/17/2010
110533	1F65F5DY0B0		2011 BS	CA	2901 F	10/11/2010	10/20/2010
110560	1F65F5DY7B0		2011 BS	CA	2901 F	12/8/2010	1/3/2011
110561	1F65F5DY7B0		2011 BS	CA	2901 F	12/9/2010	1/4/2011
110564	1F65F5DY5B0		2011 BS	CA	2901 F	12/2/2010	12/13/2010
110593	1F66F5DY8B0		2011 BS	CA	2901 F	3/17/2011	3/28/2011
110625	1F66F5DY4B0		2011 BS	CA	2901 F	4/21/2011	5/3/2011
110626	1F66F5DY6B0		2011 BS	CA	2901 F	4/26/2011	5/5/2011
110628	1F65F5DY6B0		2011 BS	CA	2702 F	4/29/2011	5/10/2011
110634	1F65F5DYXB0		2011 BS	CA	2702 F	5/9/2011	5/18/2011
110635	1F65F5DY5B0		2011 BS	CA	2901 F	5/12/2011	5/23/2011
110637	1F65F5DY7B0		2011 BS	CA	2901 F	5/11/2011	5/20/2011
110654	1F66F5DYXC0		2012 BS	CA	3302 F	12/21/2011	1/17/2012
110665	1F66F5DY1B0		2012 BS	CA	3302 F	6/27/2011	7/15/2011
110666	1F65F5DY8B0		2012 BS	CA	2901 F	7/11/2011	7/21/2011
110671	1F66F5DY2B0		2012 BS	CA	3310 F	7/13/2011	7/22/2011
110672	1F66F5DY3B0		2012 BS	CA	3305 F	7/12/2011	7/22/2011
110673	1F65F5DY9B0		2012 BS	CA	2901 F	7/19/2011	8/1/2011
110674	1F65F5DY7B0		2012 BS	CA	2901 F	7/14/2011	7/25/2011
110677	1F65F5DY0B0		2012 BS	CA	2901 F	7/19/2011	7/28/2011
110706	1F65F5DY0C0		2012 BS	CA	2702 F	8/29/2011	9/12/2011
110707	1F66F5DY8C0		2012 BS	CA	3302 F	8/26/2011	9/8/2011
110708	1F66F5DY6C0		2012 BS	CA	2901 F	8/26/2011	9/9/2011
110712	1F65F5DY9B0		2012 BS	CA	2702 F	9/20/2011	10/3/2011
110723	1F66F5DY5C0		2012 BS	CA	2901 F	10/7/2011	10/19/2011
110724	1F66F5DY7C0		2012 BS	CA	3302 F	10/10/2011	10/20/2011
110725	1F66F5DY7C0		2012 BS	CA	2901 F	10/31/2011	11/9/2011
110731	1F66F5DY9C0		2012 BS	CA	2901 F	10/18/2011	10/27/2011
110753	1F66F5DY3C0		2012 BS	CA	2901 F	12/2/2011	12/9/2011
110754	1F66F5DY4C0		2012 BS	CA	2901 F	12/20/2011	1/13/2012
110762	1F65F5DY8C0		2012 BT	CA	2702 F	1/26/2012	2/6/2012
110766	1F65F5DY6C0		2012 BT	CA	2901 F	1/9/2012	1/18/2012
110767	1F65F5DY0C0		2012 BS	CA	2702 F	1/30/2012	2/7/2012
110768	1F65F5DY6C0		2012 BT	CA	2901 F	2/1/2012	2/9/2012
110769	1F65F5DY8C0		2012 BS	CA	2702 F	1/31/2012	2/10/2012
110770	1F66F5DY1C0		2012 BS	CA	3002 F	2/3/2012	2/14/2012
110771	1F65F5DY2C0		2012 BS	CA	2702 F	2/8/2012	2/17/2012
110793	1F66F5DYXC0		2012 BS	CA	2901 F	2/28/2012	3/12/2012
110794	1F66F5DY5C0		2012 BS	CA	2901 F	2/27/2012	3/7/2012
110795	1F66F5DY3C0		2012 BS	CA	3302 F	2/29/2012	3/12/2012
110806	1F65F5DY8C0		2012 BT	CA	2901 F	4/10/2012	4/19/2012
110807	1F66F5DY0C0		2012 BS	CA	3002 F	4/10/2012	4/24/2012
110808	1F66F5DY2C0		2012 BS	CA	3002 F	4/13/2012	4/26/2012
110814	1F66F5DY6C0		2013 BT	CA	3310 F	4/19/2012	5/2/2012
110815	1F66F5DY4C0		2013 BS	CA	2901 F	4/26/2012	5/7/2012
110830	1F66F5DY9C0		2013 BS	CA	3002 F	5/24/2012	6/4/2012
110832	1F66F5DY8C0		2013 BS	CA	3209 F	6/1/2012	6/12/2012
110833	1F65F5DY7C0		2013 BT	CA	2901 F	6/4/2012	6/12/2012
110844	1F65F5DY3C0		2013 BT	CA	2901 F	7/11/2012	7/19/2012
110845	1F66F5DY9C0		2013 BS	CA	3002 F	6/15/2012	6/25/2012
110846	1F66F5DY2C0		2013 BS	CA	3002 F	6/26/2012	7/16/2012
110869	1F66F5DY6D0		2013 BS	CA	2901 F	8/21/2012	8/30/2012

110871	1F66F5DY8D0		2013 BS	CA	2901 F	8/20/2012	8/29/2012
110891	1F66F5DY6D0		2013 BS	CA	2901 F	9/21/2012	10/3/2012
110895	1F66F5DY2D0		2013 BS	CA	3302 F	10/3/2012	10/11/2012
110896	1F66F5DY9D0		2013 BS	CA	2901 F	10/4/2012	10/12/2012
110911	1F66F5DY7D0		2013 BS	CA	2901 F	10/24/2012	11/1/2012
110918	1F66F5DY2D0		2013 BS	CA	2901 F	11/12/2012	11/20/2012
110934	1F65F5DY5D0		2013 BT	CA	2901 F	1/10/2013	1/18/2013
110946	1F66F5DY3D0		2013 BS	CA	2901 F	1/9/2013	1/16/2013
110947	1F66F5DY6D0		2013 BS	CA	3002 F	11/29/2012	12/6/2012
110948	1F66F5DY9D0		2013 BS	CA	3012 F	12/20/2012	1/11/2013
110949	1F66F5DY3D0		2013 BT	CA	3310 F	12/5/2012	12/12/2012
110950	1F66F5DYXD0		2013 BS	CA	3302 F	1/16/2013	1/24/2013
110951	1F66F5DY5D0		2013 BS	CA	3209 F	1/10/2013	1/18/2013
110961	1F66F5DY7D0		2014 BS	CA	3124 F	1/18/2013	1/28/2013
110991	1F66F5DY1D0		2013 BS	CA	2901 F	2/8/2013	2/18/2013
110992	1F66F5DY9D0		2013 BS	CA	2901 F	2/20/2013	3/1/2013
111032	1F66F5DY2D0		2013 BS	CA	3302 F	4/24/2013	5/2/2013
111045	1F66F5DY7D0		2013 BS	CA	3012 F	5/1/2013	5/8/2013
111049	1F65F5DY8D0		2013 BT	CA	2901 F	5/6/2013	5/16/2013
111068	1F66F5DY2D0		2014 BS	CA	3308 F	6/5/2013	6/13/2013
111069	1F66F5DY4D0		2014 BS	CA	2903 F	6/12/2013	6/19/2013
111070	1F66F5DY0D0		2014 BS	CA	3215 F	6/4/2013	6/12/2013
111078	1F66F5DY1D0		2014 BT	CA	2903 F	7/15/2013	7/23/2013
111079	1F66F5DY6D0		2014 BS	CA	2903 F	6/26/2013	7/12/2013
111080	1F66F5DY2D0		2014 BS	CA	2903 F	8/15/2013	8/23/2013
111081	1F66F5DY3D0		2014 BS	CA	3124 F	7/11/2013	7/19/2013
111082	1F66F5DY6D0		2014 BS	CA	3215 F	7/11/2013	7/19/2013
111095	1F66F5DY3D0		2014 BS	CA	2903 F	5/17/2013	5/29/2013
111096	1F66F5DY8D0		2014 BS	CA	3124 F	6/17/2013	6/24/2013
111097	1F66F5DY6D0		2014 BS	CA	3215 F	6/27/2013	7/15/2013
111123	1F66F5DY0D0		2014 BS	CA	3308 F	5/22/2013	6/4/2013
111159	1F66F5DY7E0		2014 BS	CA	3308 F	8/23/2013	9/3/2013
111166	1F66F5DYXE0		2014 BS	CA	3308 F	9/6/2013	9/16/2013
111205	1F66F5DY2E0		2014 BS	CA	3308 F	10/30/2013	11/7/2013
111208	1F66F5DY5E0		2014 BS	CA	3308 F	10/22/2013	10/31/2013
111247	1F66F5DY0E0		2014 BS	CA	3124 F	12/16/2013	1/10/2014
111248	1F66F5DY5E0		2014 BS	CA	2903 F	12/11/2013	12/19/2013
111249	1F66F5DY8E0		2014 BS	CA	3124 F	12/3/2013	12/11/2013
111293	1F66F5DY6E0		2014 BT	CA	2903 F	12/6/2013	12/17/2013
160170	1F6NF53Y170		2008 CS	CA	3643 F	6/14/2007	6/26/2007
160181	5B4MP67G58		2008 CS	CA	3512 WH	9/13/2007	9/27/2007
160192	5B4MP67G97		2008 CS	CA	3512 WH	8/30/2007	9/11/2007
160203	1F6NF53Y470		2008 CS	CA	3510 F	10/18/2007	10/31/2007
160222	1F6NF53Y170		2008 CS	CA	3510 F	1/9/2008	1/22/2008
160256	5B4MP67G083		2009 CS	CA	3410 WH	4/24/2008	5/7/2008
160260	5B4MP67G783		2009 CS	CA	3641 WH	5/14/2008	5/30/2008
160275	1F6NF53Y980		2009 CS	CA	3510 F	8/12/2008	9/16/2008
160291	5B4MP67G193		2009 CS	CA	3641 WH	3/10/2009	3/18/2009
160317	1F6NF53Y380		2010 CS	CA	3920 F	7/20/2009	7/29/2009
160318	1F6NF53Y180		2010 CS	CA	3920 F	7/21/2009	7/30/2009
160319	1F6NF53Y580		2010 CS	CA	3510 F	8/6/2009	8/20/2009
160320	1F6NF53Y790		2010 CS	CA	3641 F	8/25/2009	9/14/2009

160333	1F6NF53Y680		2010	CS	CA	3647 F	8/12/2009	8/25/2009
160336	1F6NF53Y880		2010	CS	CA	3641 F	8/18/2009	9/8/2009
160349	1F6NF53Y190		2010	CS	CA	3855 F	9/28/2009	10/8/2009
160353	1F6NF53Y490		2010	CS	CA	3510 F	10/8/2009	10/21/2009
160376	5B4MP67G893		2010	CS	CA	3641 WH	12/15/2009	1/18/2010
160377	1F6NF53Y590		2010	CS	CA	3855 F	12/11/2009	1/13/2010
160396	1F66F5DY1B0		2010	CS	CA	3410 F	3/17/2010	3/24/2010
160403	1F66F5DY0B0		2011	CS	CA	3856 F	4/8/2010	4/19/2010
160409	1F66F5DY8B0		2011	CS	CA	3920 F	4/22/2010	5/3/2010
160414	1F66F5DY8B0		2011	CS	CA	3810 F	5/6/2010	5/17/2010
160415	1F66F5DY4B0		2011	CS	CA	3411 F	5/10/2010	5/20/2010
160426	1F66F5DY4B0		2011	CS	CA	3920 F	5/25/2010	6/3/2010
160428	1F66F5DY8B0		2011	CS	CA	3642 F	6/4/2010	6/15/2010
160445	1F66F5DY9B0		2011	CS	CA	3642 F	7/30/2010	8/10/2010
160447	1F66F5DYXB0		2011	CS	CA	3920 F	8/18/2010	8/30/2010
160465	1F66F5DYXB0		2011	CS	CA	3810 F	9/16/2010	9/27/2010
160469	1F66F5DY8B0		2011	CS	CA	3920 F	10/26/2010	11/4/2010
160485	1F66F5DY6B0		2011	CS	CA	3810 F	11/2/2010	11/11/2010
160489	1F66F5DYXB0		2011	CS	CA	3411 F	11/4/2010	11/15/2010
160512	5B4MP67G4B3		2011	CS	CA	3642 WH	1/11/2011	1/20/2011
160513	5B4MP67G4B3		2011	CS	CA	3642 WH	1/14/2011	1/25/2011
160514	5B4MP67G2B3		2011	CS	CA	3411 WH	1/14/2011	1/25/2011
160555	1F66F5DY7B0		2011	CS	CA	3642 F	5/10/2011	5/19/2011
160556	1F66F5DYXB0		2011	CS	CA	3920 F	5/2/2011	5/11/2011
160567	1F66F5DY9C0		2012	CS	CA	3642 F	12/22/2011	1/17/2012
160581	1F66F5DY2B0		2012	CS	CA	3856 F	7/13/2011	7/25/2011
160582	1F66F5DY4B0		2012	CS	CA	3642 F	7/15/2011	7/26/2011
160596	1F66F5DY6B0		2012	CS	CA	3511 F	8/11/2011	8/22/2011
160640	1F66F5DY3C0		2012	CS	CA	3642 F	10/27/2011	11/7/2011
160652	1F66F5DY6C0		2012	CS	CA	3920 F	12/8/2011	12/16/2011
160660	1F66F5DY7C0		2012	CS	CA	3642 F	12/21/2011	1/16/2012
160670	1F66F5DY1C0		2012	CS	CA	3920 F	2/16/2012	2/28/2012
160681	1F66F5DY9C0		2012	CS	CA	3810 F	3/1/2012	3/14/2012
160705	1F66F5DY2C0		2013	CS	CA	3940 F	4/25/2012	5/4/2012
160726	1F66F5DY1C0		2013	CS	CA	3953 F	6/14/2012	6/22/2012
160733	1F66F5DY9C0		2013	CS	CA	3610 F	6/11/2012	6/19/2012
160772	1F66F5DY8C0		2013	CS	CA	3610 F	8/16/2012	8/27/2012
160778	1F66F5DY8D0		2013	CS	CA	3515 F	8/28/2012	9/6/2012
160792	1F66F5DY6D0		2013	CS	CA	3610 F	9/25/2012	10/5/2012
160811	1F66F5DY4D0		2013	CS	CA	3953 F	10/19/2012	10/29/2012
160825	1F66F5DY6D0		2013	CS	CA	3911 F	11/5/2012	11/13/2012
160831	1F66F5DY7D0		2013	CS	CA	3920 F	1/22/2013	1/30/2013
160845	1F66F5DY4D0		2013	CS	CA	3610 F	2/21/2013	3/1/2013
160846	1F66F5DY3D0		2013	CS	CA	3953 F	1/17/2013	1/25/2013
160851	1F66F5DY9D0		2013	CS	CA	3610 F	1/10/2013	1/17/2013
160853	1F66F5DY5D0		2014	CS	CA	3953 F	2/15/2013	2/26/2013
160909	1F66F5DY1D0		2013	CS	CA	3911 F	4/5/2013	4/15/2013
160925	1F66F5DY9D0		2013	CS	CA	3610 F	5/2/2013	5/13/2013
160931	1F66F5DY6D0		2014	CS	CA	3610 F	6/11/2013	6/19/2013
160932	1F66F5DY9D0		2014	CS	CA	3610 F	5/22/2013	6/3/2013
160948	1F66F5DY4D0		2014	CS	CA	3424 F	7/9/2013	7/17/2013
160950	1F66F5DY3D0		2014	CS	CA	3953 F	6/26/2013	7/11/2013

160965	1F66F5DY9D		2014 CS	CA	3610 F	6/13/2013	6/21/2013
160979	1F66F5DYXD		2014 CS	CA	3650 F	6/17/2013	6/25/2013
161038	1F66F5DYXE		2014 CS	CA	3610 F	9/11/2013	9/20/2013
161039	1F66F5DY9D		2014 CS	CA	3920 F	9/4/2013	9/13/2013
161072	1F66F5DY4E0		2014 CS	CA	3650 F	10/2/2013	10/11/2013
161086	1F66F5DY8E0		2014 CS	CA	3650 F	10/18/2013	10/29/2013
161087	1F66F5DY4E0		2014 CS	CA	3650 F	10/24/2013	11/4/2013
161093	1F66F5DY2D		2014 CS	CA	3424 F	10/10/2013	10/21/2013
161126	1F66F5DY8E0		2014 CS	CA	3921 F	1/21/2014	1/30/2014
161127	1F66F5DY3E0		2014 CS	CA	3610 F	1/10/2014	1/20/2014
161167	1F66F5DY7E0		2014 CS	CA	3424 F	2/12/2014	2/20/2014
161168	1F66F5DY8E0		2014 CS	CA	3610 F	3/19/2014	3/28/2014
161169	1F66F5DY0E0		2014 CS	CA	3953 F	2/24/2014	3/4/2014
161170	1F66F5DY2E0		2014 CS	CA	3953 F	2/26/2014	3/6/2014
161186	1F66F5DY4E0		2014 CS	CA	3610 F	4/2/2014	4/11/2014
161206	1F66F5DY8E0		2014 CS	CA	3911 F	3/4/2014	3/13/2014
161246	1F66F5DY5E0		2014 CS	CA	3911 F	4/15/2014	4/28/2014
161249	1F66F5DY7E0		2014 CS	CA	3650 F	4/7/2014	4/15/2014
161318	1F66F5DY7E0		2015 CS	CA	3612 F	9/11/2014	9/19/2014
161319	1F66F5DY0E0		2015 CS	CA	3914 F	8/22/2014	9/3/2014
161323	1F66F5DY3E0		2015 CS	CA	3914 F	7/9/2014	7/18/2014
161342	1F66F5DY2E0		2015 CS	CA	3650 F	9/10/2014	9/19/2014
161386	1F66F5DY2F0		2015 CS	CA	3650 F	12/15/2014	1/12/2015
410521	4VZDN1A958		2008 VT	DP	3332 S	6/5/2007	6/18/2007
410536	4VZBN1B998C		2008 VT	DP	3933 S	6/1/2007	6/12/2007
410577	4VZDN1A998		2008 VT	DP	3330 S	9/17/2007	9/26/2007
410578	4VZDN1A978		2008 VT	DP	3933 S	9/6/2007	9/17/2007
410580	4VZDN1A918		2008 VT	DP	3332 S	9/20/2007	10/2/2007
410585	4VZDN1A948		2008 VT	DP	3332 S	9/27/2007	10/8/2007
410595	4VZDN1A978		2008 VT	DP	3332 S	10/18/2007	10/30/2007
410609	4VZDN1A938		2008 VT	DP	3332 S	11/8/2007	11/20/2007
410610	4VZDN1A9X8		2008 VT	DP	3330 S	11/12/2007	11/27/2007
410622	4VZDN1A968		2008 VT	DP	3936 S	12/10/2007	1/8/2008
410648	4VZDN1A908		2008 VT	DP	3332 S	2/26/2008	3/13/2008
410651	4VZDN1A928		2008 VT	DP	3330 S	3/18/2008	4/9/2008
410663	4VZDN1A999		2009 VT	DP	3933 S	5/5/2008	5/15/2008
410664	4VZDN1A959		2009 VT	DP	3961 S	4/22/2008	5/2/2008
410683	4VZDN1A929		2009 VT	DP	3933 S	5/12/2008	5/22/2008
410686	4VZDN1A909		2009 VT	DP	3430 S	5/6/2008	5/19/2008
410696	4VZDN1A9X9		2009 VT	DP	3933 S	5/15/2008	5/29/2008
410714	4VZBT1B919C		2009 VT	DP	4333 S	7/29/2008	8/26/2008
410734	4VZBT1B999C		2009 VT	DP	4333 S	2/3/2009	2/17/2009
410736	4VZDN1A979C		2009 VT	DP	3933 S	3/9/2009	3/17/2009
410737	4VZDN1A999C		2009 VT	DP	3432 S	3/11/2009	3/20/2009
410746	4VZBT1B96AC		2010 VT	DP	4333 S	6/5/2009	6/15/2009
410747	4VZBT1B9XAC		2010 VT	DP	4333 S	5/29/2009	6/8/2009
410753	4VZDN1A97AC		2010 VT	DP	3961 S	7/13/2009	7/23/2009
410754	4VZBT1B99AC		2010 VT	DP	4333 S	7/13/2009	7/22/2009
410757	4VZDN1A96AC		2010 VT	DP	3933 S	7/21/2009	7/30/2009
410758	4VZBT1B94AC		2010 VT	DP	4386 S	8/11/2009	8/24/2009
410759	4VZDN1A94AC		2010 VT	DP	3961 S	8/25/2009	9/14/2009
410768	4VZBT1B93AC		2010 VT	DP	4333 S	8/17/2009	8/27/2009

410771	4VZDN1A91AC	[REDACTED]	2010 VT	DP	3430 S	9/11/2009	9/24/2009
410775	4VZDN1A99AC	[REDACTED]	2010 VT	DP	3933 S	9/24/2009	10/7/2009
410780	4VZDN1A90AC	[REDACTED]	2010 VT	DP	3933 S	10/20/2009	10/30/2009
410783	4VZDN1A91AC	[REDACTED]	2010 VT	DP	3430 S	12/1/2009	12/9/2009
410848	4VZDN1A96AC	[REDACTED]	2011 VT	DP	3973S S	6/8/2010	6/16/2010
410849	4VZDN1A98AC	[REDACTED]	2011 VT	DP	3973S S	6/9/2010	6/17/2010
410852	4UZAB2DT8BC	[REDACTED]	2011 VT	DP	3433 FL	7/21/2010	8/2/2010
410853	4UZACHDT3BC	[REDACTED]	2011 VT	DP	3934 FL	7/19/2010	7/29/2010
410858	4UZFCHBS5BC	[REDACTED]	2011 VT	DP	4333 FL	8/4/2010	8/13/2010
410861	4UZAB2DT2BC	[REDACTED]	2011 VT	DP	3434 FL	8/9/2010	8/18/2010
410869	4UZFCHBS5BC	[REDACTED]	2011 VT	DP	4333 FL	9/17/2010	9/28/2010
410879	4UZFCHBS6BC	[REDACTED]	2011 VT	DP	4333 FL	10/7/2010	10/19/2010
410892	4UZFCHBS9BC	[REDACTED]	2011 VT	DP	4333 FL	11/5/2010	11/16/2010
410894	4UZFCHBS0BC	[REDACTED]	2011 VT	DP	4333 FL	11/11/2010	11/22/2010
410912	4UZAB2DT9BC	[REDACTED]	2012 VL	DP	3843 FL	2/16/2011	2/23/2011
410922	4UZAB2DT2BC	[REDACTED]	2012 VL	DP	3862 FL	1/31/2011	2/9/2011
410923	4UZAB2DT3BC	[REDACTED]	2012 VL	DP	3843 FL	2/9/2011	2/17/2011
410940	4UZACHDT5BC	[REDACTED]	2011 VT	DP	3962 FL	1/10/2011	1/18/2011
410962	4UZAB2DT1CC	[REDACTED]	2012 VL	DP	3843 FL	3/25/2011	4/5/2011
410979	4UZFCHBS3BC	[REDACTED]	2011 VT	DP	4333 FL	4/21/2011	5/3/2011
410980	4UZFCHBSXBC	[REDACTED]	2011 VT	DP	4333 FL	4/6/2011	4/15/2011
410981	4UZFCHBS1BC	[REDACTED]	2011 VT	DP	4333 FL	4/18/2011	4/28/2011
410982	4UZAB2DT1CC	[REDACTED]	2012 VL	DP	3843 FL	4/12/2011	4/26/2011
410987	4UZAB2DT1CC	[REDACTED]	2012 VL	DP	3634 FL	4/26/2011	5/5/2011
410988	4UZFCHBSXBC	[REDACTED]	2011 VT	DP	4335 FL	5/5/2011	5/16/2011
410992	4UZACHDT2BC	[REDACTED]	2011 VT	DP	3962 FL	5/13/2011	5/24/2011
411007	4UZFCHBS1CC	[REDACTED]	2012 VT	DP	4062 FL	7/22/2011	8/3/2011
411009	4UZFCHBS6CC	[REDACTED]	2012 VT	DP	4337 FL	7/15/2011	7/25/2011
411015	4UZAB2DTXCC	[REDACTED]	2012 VL	DP	3634 FL	8/2/2011	8/12/2011
411019	4UZAB2DT6CC	[REDACTED]	2012 VL	DP	3634 FL	8/11/2011	8/23/2011
411026	4UZAB2DT3CC	[REDACTED]	2012 VL	DP	3634 FL	8/25/2011	9/8/2011
411052	4UZFCHBS4CC	[REDACTED]	2012 VT	DP	4346 FL	12/9/2011	12/20/2011
411060	4UZFCHBS6CC	[REDACTED]	2012 VT	DP	4333 FL	12/14/2011	1/10/2012
411071	4UZAB2DT2CC	[REDACTED]	2012 VT	DP	3434 FL	1/23/2012	2/1/2012
411086	4UZAB2DT6CC	[REDACTED]	2012 VL	DP	3634 FL	4/17/2012	4/30/2012
411091	4UZAB2DT3CC	[REDACTED]	2012 VT	DP	3434 FL	4/25/2012	5/4/2012
411095	4UZAB2DT8DC	[REDACTED]	2013 VL	DP	3843 FL	5/8/2012	5/18/2012
411103	4UZAB2DT3DC	[REDACTED]	2013 VL	DP	3433 FL	6/6/2012	6/14/2012
411104	4UZAB2DTXD	[REDACTED]	2013 VT	DP	3434 FL	6/6/2012	6/13/2012
411107	4UZFCHBS2DC	[REDACTED]	2013 VT	DP	4018 FL	6/8/2012	6/18/2012
411113	4UZAB2DT2DC	[REDACTED]	2013 VL	DP	3634 FL	7/23/2012	8/1/2012
411119	4UZFCHBS7DC	[REDACTED]	2013 VT	DP	4337 FL	6/26/2012	7/16/2012
411122	4UZAB2DT8DC	[REDACTED]	2013 VT	DP	3434 FL	6/27/2012	7/17/2012
411133	4UZFCHBSXDC	[REDACTED]	2013 VT	DP	4018 FL	8/15/2012	8/24/2012
411151	4UZAB2DT4DC	[REDACTED]	2013 VL	DP	3634 FL	10/10/2012	10/18/2012
411182	4UZFCHBS5DC	[REDACTED]	2013 VT	DP	4346 FL	11/16/2012	11/27/2012
411192	4UZAB2DT5EC	[REDACTED]	2013 VT	DP	3434 FL	2/26/2013	3/6/2013
411193	4UZAB2DT6EC	[REDACTED]	2013 VT	DP	3634 FL	3/4/2013	3/12/2013
411200	4UZACHDT6EC	[REDACTED]	2014 VT	DP	3436 FL	2/26/2013	3/6/2013
411201	4UZFCHCY4EC	[REDACTED]	2014 VT	DP	4037 FL	2/25/2013	3/5/2013
411209	4UZFCHBS9DC	[REDACTED]	2013 VT	DP	4018 FL	1/10/2013	1/18/2013
411219	4UZAB2DT4EC	[REDACTED]	2013 VT	DP	3634 FL	3/8/2013	3/18/2013

411246	4UZFHBS0DC	[REDACTED]	2013 VT	DP	4324 FL	3/27/2013	4/5/2013
411250	4UZACHDT9EC	[REDACTED]	2013 VT	DP	3434 FL	4/23/2013	5/1/2013
411290	4UZACHDT5EC	[REDACTED]	2014 VT	DP	3436 FL	6/25/2013	7/10/2013
411301	4UZAB2DT4EC	[REDACTED]	2014 VL	DP	3634 FL	6/13/2013	6/21/2013
411349	4UZAB2DTXEC	[REDACTED]	2014 VL	DP	3436 FL	8/13/2013	8/21/2013
411350	4UZFCHCY5EC	[REDACTED]	2014 VT	DP	4377 FL	8/14/2013	8/23/2013
411363	4UZAB2DT3EC	[REDACTED]	2014 VL	DP	3845 FL	10/11/2013	10/22/2013
411364	4UZFCHCY8EC	[REDACTED]	2014 VT	DP	4037 FL	7/31/2013	8/8/2013
411365	4UZFCHCY3EC	[REDACTED]	2014 VT	DP	4360 FL	8/5/2013	8/13/2013
411412	4UZFCHCY4EC	[REDACTED]	2014 VT	DP	4369 FL	10/7/2013	10/16/2013
411413	4UZFCHCYXEC	[REDACTED]	2014 VT	DP	4037 FL	10/25/2013	11/5/2013
411428	4UZFCHCY6EC	[REDACTED]	2014 VT	DP	4037 FL	10/30/2013	11/7/2013
411443	4UZFCHCY4EC	[REDACTED]	2014 VT	DP	4037 FL	12/5/2013	12/13/2013
411457	4UZACHDT1EC	[REDACTED]	2014 VT	DP	3634 FL	12/13/2013	1/9/2014
603881	4VZBT1D988C	[REDACTED]	2008 DS	DP	4320 S	6/6/2007	6/18/2007
603883	4VZBT1D9X8C	[REDACTED]	2008 DS	DP	4304 S	6/6/2007	6/19/2007
603886	4VZBR1D978C	[REDACTED]	2008 DS	DP	4023 S	6/5/2007	6/14/2007
603888	4VZBR1D998C	[REDACTED]	2008 DS	DP	4023 S	6/12/2007	6/21/2007
603906	4VZBT1D988C	[REDACTED]	2008 DS	DP	4320 S	7/16/2007	7/26/2007
603910	4VZBT1D9X8C	[REDACTED]	2008 DS	DP	4304 S	7/25/2007	8/6/2007
603912	4VZBT1D988C	[REDACTED]	2008 DS	DP	4354 S	8/7/2007	8/20/2007
603949	4VZBR1D928C	[REDACTED]	2008 DS	DP	4023 S	8/28/2007	9/7/2007
603950	4VZBT1D948C	[REDACTED]	2008 DS	DP	4304 S	8/28/2007	9/6/2007
603951	4VZBT1D998C	[REDACTED]	2008 DS	DP	4304 S	9/10/2007	9/20/2007
603952	4VZBT1D928C	[REDACTED]	2008 DS	DP	4304 S	9/5/2007	9/13/2007
603953	4VZBR1D988C	[REDACTED]	2008 DS	DP	4023 S	8/30/2007	9/11/2007
603963	4VZBR1D988C	[REDACTED]	2008 DS	DP	4023 S	9/27/2007	10/9/2007
603979	4VZBT1D928C	[REDACTED]	2008 DS	DP	4304 S	10/15/2007	10/24/2007
603980	4VZBT1D969C	[REDACTED]	2009 DA	DP	4330 S	11/21/2007	12/4/2007
603982	4VZBT1D958C	[REDACTED]	2008 DS	DP	4320 S	10/22/2007	10/31/2007
603984	4VZBT1D938C	[REDACTED]	2008 DS	DP	4320 S	10/22/2007	11/1/2007
603987	4VZBT1D918C	[REDACTED]	2008 DS	DP	4320 S	10/24/2007	11/5/2007
604031	4VZBR1D948C	[REDACTED]	2008 DS	DP	4023 S	12/17/2007	1/14/2008
604032	4VZBT1D908C	[REDACTED]	2008 DS	DP	4320 S	12/17/2007	1/15/2008
604033	4VZBR1D918C	[REDACTED]	2008 DS	DP	4023 S	1/8/2008	1/17/2008
604034	4VZBR1D968C	[REDACTED]	2008 DS	DP	4023 S	12/18/2007	1/16/2008
604035	4VZBT1D998C	[REDACTED]	2008 DS	DP	4304 S	1/23/2008	2/14/2008
604036	4VZBR1D988C	[REDACTED]	2008 DS	DP	4035 S	12/19/2007	1/16/2008
604046	4VZBR1D978C	[REDACTED]	2008 DS	DP	4023 S	2/11/2008	2/25/2008
604047	4VZBR1D928C	[REDACTED]	2008 DS	DP	4023 S	2/11/2008	2/26/2008
604070	4VZBT1D938C	[REDACTED]	2008 DS	DP	4304 S	3/3/2008	3/18/2008
604074	4VZBT1D918C	[REDACTED]	2008 DS	DP	4317 S	2/27/2008	3/17/2008
604080	4VZBT1D948C	[REDACTED]	2008 DS	DP	4320 S	3/12/2008	4/2/2008
604088	4VZBT1D978C	[REDACTED]	2008 DS	DP	4304 S	3/18/2008	4/9/2008
604089	4VZBT1D998C	[REDACTED]	2008 DS	DP	4304 S	3/18/2008	4/9/2008
604095	4VZBT1D998C	[REDACTED]	2008 DS	DP	4304 S	3/31/2008	4/14/2008
604100	4VZBR1D949C	[REDACTED]	2009 DS	DP	4086 S	5/6/2008	5/15/2008
604108	4VZBR1D959C	[REDACTED]	2009 DS	DP	4086 S	4/22/2008	5/2/2008
604109	4VZBR1D989C	[REDACTED]	2009 DS	DP	4055 S	5/7/2008	5/20/2008
604111	4VZBR1D948C	[REDACTED]	2008 DS	DP	4035 S	4/9/2008	4/21/2008
604112	4VZBR1D969C	[REDACTED]	2009 DS	DP	4010 S	4/2/2008	4/17/2008
604122	4VZBR1D969C	[REDACTED]	2009 DS	DP	4086 S	5/19/2008	5/30/2008

604145	4VZBT1D959C	2009 DS	DP	4386 S	7/30/2008	8/25/2008
604148	4VZBR1B939C	2009 DS	DP	4043 S	7/30/2008	8/25/2008
604156	4VZBR1D969C	2009 DS	DP	4086 S	9/4/2008	9/25/2008
604157	4VZBR1D959C	2009 DS	DP	4086 S	9/15/2008	10/6/2008
604190	4VZBT1D93AC	2010 DS	DP	4386 S	6/2/2009	6/11/2009
604191	4VZBT1D96AC	2010 DS	DP	4333 S	6/8/2009	6/17/2009
604196	4VZBR1D96AC	2010 DS	DP	4086 S	7/15/2009	7/27/2009
604197	4VZBT1D92AC	2010 DS	DP	4333 S	7/14/2009	7/23/2009
604198	4VZBT1D93AC	2010 DS	DP	4333 S	7/22/2009	8/4/2009
604199	4VZBR1D97AC	2010 DS	DP	4055 S	8/12/2009	8/25/2009
604204	4VZBT1D97AC	2010 DS	DP	4333 S	8/19/2009	9/9/2009
604211	4VZBT1D9XAC	2010 DS	DP	4386 S	9/21/2009	10/1/2009
604214	4VZBR1D90AC	2010 DS	DP	4086 S	9/30/2009	10/13/2009
604215	4VZBT1D91AC	2010 DS	DP	4333 S	9/29/2009	10/12/2009
604218	4VZBT1D9XAC	2010 DS	DP	4304 S	10/1/2009	10/14/2009
604220	4VZBR1D94AC	2010 DS	DP	4086 S	10/19/2009	10/29/2009
604226	4VZBR1D96AC	2010 DS	DP	4010 S	11/6/2009	11/17/2009
604235	4VZBT1D98AC	2010 DS	DP	4386 S	11/12/2009	11/23/2009
604236	4VZBR1D93AC	2010 DS	DP	4043 S	11/16/2009	11/24/2009
604238	4VZBT1D91AC	2010 DS	DP	4333 S	2/4/2010	2/15/2010
604240	4VZBT1D96AC	2010 DS	DP	4333 S	12/8/2009	1/11/2010
604270	4VZBT1D94AC	2010 DS	DP	4333 S	3/3/2010	3/12/2010
604271	4VZBT1D93AC	2010 DS	DP	4386 S	3/4/2010	3/15/2010
604277	4VZBR1D92AC	2010 DS	DP	4010 S	3/19/2010	3/31/2010
604287	4UZACHCY4B	2011 DS	DP	4086 FL	4/9/2010	4/20/2010
604313	4UZACHCY7B	2011 DS	DP	4086 FL	6/2/2010	6/15/2010
604314	4UZACHCY7B	2011 DS	DP	4020 FL	5/25/2010	6/3/2010
604322	4UZFCHCY9BC	2011 DS	DP	4386 FL	6/9/2010	6/18/2010
604324	4UZFCHCYXBC	2011 DS	DP	4353 FL	6/16/2010	6/25/2010
604325	4UZFCHCY1BC	2011 DS	DP	4386 FL	6/15/2010	6/24/2010
604326	4UZFCHCY7BC	2011 DS	DP	4353 FL	6/10/2010	6/21/2010
604331	4UZACHCY5B	2011 DS	DP	4020 FL	6/16/2010	6/25/2010
604338	4UZFCHCY3BC	2011 DS	DP	4324 FL	6/23/2010	7/13/2010
604339	4UZFCHCY5BC	2011 DS	DP	4324 FL	6/17/2010	6/29/2010
604355	4UZACHCY3B	2011 DS	DP	3734 FL	9/9/2010	9/20/2010
604356	4UZACHCY0B	2011 DS	DP	3734 FL	9/9/2010	9/21/2010
604365	4UZFCHCY3BC	2011 DS	DP	4353 FL	9/30/2010	10/11/2010
604373	4UZFCHCY7BC	2011 DS	DP	4086T FL	11/3/2010	11/12/2010
604380	4UZFCHCY8BC	2011 DS	DP	4353 FL	12/8/2010	1/3/2011
604381	4UZACHCY6B	2011 DS	DP	3734 FL	12/14/2010	1/10/2011
604385	4UZFCHCY0BC	2011 DS	DP	4020T FL	1/13/2011	1/24/2011
604418	4UZACHCY3C	2012 DS	DP	3735 FL	6/29/2011	7/18/2011
604423	4UZFCHCYXCC	2012 DS	DP	4346 FL	7/22/2011	8/4/2011
604424	4UZFCHCY8CC	2012 DS	DP	4020 FL	6/28/2011	7/15/2011
604432	4UZFCHCY6CC	2012 DS	DP	4020 FL	8/4/2011	8/17/2011
604433	4UZFCHCY2CC	2012 DS	DP	4324 FL	8/17/2011	8/26/2011
604434	4UZFCHCY8CC	2012 DS	DP	4353 FL	8/19/2011	8/30/2011
604435	4UZFCHCY1CC	2012 DS	DP	4353 FL	8/26/2011	9/8/2011
604440	4UZFCHCY8CC	2012 DS	DP	4020 FL	10/3/2011	10/12/2011
604441	4UZACHCY9C	2012 DS	DP	3734 FL	9/29/2011	10/11/2011
604445	4UZFCHCY3CC	2012 DS	DP	4346 FL	10/6/2011	10/17/2011
604450	4UZFCHCY7CC	2012 DS	DP	4324 FL	10/28/2011	11/8/2011

604453	4UZFHCHY3CC		2012 DS	DP	4020 FL	11/2/2011	11/10/2011
604482	4UZACHCY5CC		2012 DS	DP	3734 FL	1/25/2012	2/3/2012
604496	4UZFHCHY4CC		2012 DS	DP	4020 FL	3/7/2012	3/20/2012
604498	4UZFHCHY6CC		2012 DS	DP	4062 FL	3/14/2012	3/28/2012
604500	4UZFHCHY2DC		2012 DS	DP	4324 FL	4/13/2012	4/27/2012
604501	4UZFHCHY0CC		2012 DS	DP	4020 FL	3/28/2012	4/17/2012
604504	4UZFHCHYXDC		2013 DS	DP	4318 FL	5/3/2012	5/14/2012
604509	4UZFHCHY9DC		2013 DS	DP	4353 FL	5/25/2012	6/6/2012
604514	4UZFHCHY0DC		2013 DS	DP	4318 FL	6/8/2012	6/18/2012
604519	4UZFHCHY5DC		2013 DS	DP	4038 FL	6/14/2012	6/21/2012
604520	4UZFHCHY4DC		2013 DS	DP	4318 FL	6/7/2012	6/15/2012
604539	4UZFHCHY8DC		2013 DS	DP	4347 FL	8/2/2012	8/13/2012
604546	4UZFHCHY9DC		2013 DS	DP	4018 FL	8/10/2012	8/21/2012
604560	4UZACHCY3DC		2013 DS	DP	3734 FL	10/2/2012	10/11/2012
604580	4UZFHCHY4DC		2013 DS	DP	4018 FL	12/6/2012	12/13/2012
604584	4UZFHCHY7DC		2013 DS	DP	4018 FL	1/8/2013	1/16/2013
604592	4UZFHCHY2DC		2013 DS	DP	4018 FL	1/15/2013	1/23/2013
604593	4UZFHCHY8DC		2013 DS	DP	4353 FL	1/23/2013	1/31/2013
604598	4UZFHCHY5DC		2013 DS	DP	4318 FL	1/24/2013	2/1/2013
604652	4UZFHCHY6EC		2013 DS	DP	4353 FL	4/25/2013	5/3/2013
604653	4UZFHCHY9EC		2013 DS	DP	4038 FL	4/30/2013	5/8/2013
604669	4UZFHCHY7EC		2014 DS	DP	4018 FL	6/19/2013	6/26/2013
604678	4UZFHCHY7EC		2014 DS	DP	4018 FL	5/16/2013	5/28/2013
604679	4UZFHCHY7EC		2014 DS	DP	4374 FL	6/11/2013	6/18/2013
604691	4UZFHCHYXEC		2014 DS	DP	4038 FL	6/24/2013	7/9/2013
604710	4UZFHCHY8EC		2014 DS	DP	4364 FL	8/22/2013	9/3/2013
604711	4UZFHCHY3EC		2014 DS	DP	4018 FL	8/13/2013	8/22/2013
604713	4UZFHCHY5EC		2014 DS	DP	4364 FL	8/1/2013	8/9/2013
604722	4UZFHCHY1EC		2014 DS	DP	4018 FL	8/27/2013	9/6/2013
604769	4UZFHCHY3EC		2014 DS	DP	4364 FL	9/20/2013	10/1/2013
604770	4UZFHCHY1EC		2014 DS	DP	4364 FL	9/12/2013	9/23/2013
604803	4UZFHCHY8EC		2014 DS	DP	4038 FL	9/26/2013	10/4/2013
604804	4UZFHCHY4EC		2014 DS	DP	4364 FL	10/16/2013	10/25/2013
604805	4UZFHCHY9EC		2014 DS	DP	4358 FL	10/8/2013	10/17/2013
604806	4UZFHCHY7EC		2014 DS	DP	4358 FL	10/11/2013	10/22/2013
604853	4UZFHCHY1EC		2014 DS	DP	4018 FL	11/22/2013	12/4/2013
604869	4UZFHCHY8EC		2014 DS	DP	4018 FL	12/13/2013	1/9/2014
704030	4VZBN1D968C		2008 KS	DP	3960 S	6/4/2007	6/14/2007
704040	4VZBN1D998C		2008 KS	DP	3943 S	6/13/2007	6/26/2007
704044	4VZBN1D938C		2008 KS	DP	3912 S	6/27/2007	7/19/2007
704045	4VZBN1D928C		2008 KS	DP	3910 S	6/25/2007	7/17/2007
704046	4VZBN1D908C		2008 KS	DP	3916 S	6/18/2007	6/27/2007
704052	4VZBN1D968C		2008 KS	DP	3910 S	6/13/2007	6/26/2007
704054	4VZBN1D968C		2008 KS	DP	3910 S	6/26/2007	7/18/2007
704057	4VZBN1D988C		2008 KS	DP	3916 S	7/25/2007	8/6/2007
704060	4VZBN1D968C		2008 KS	DP	3916 S	7/31/2007	8/13/2007
704062	4VZBN1D958C		2008 KS	DP	3910 S	7/16/2007	7/25/2007
704073	4VZBN1D978C		2008 KS	DP	3943 S	8/7/2007	8/16/2007
704077	4VZBN1D988C		2008 KS	DP	3916 S	8/16/2007	8/28/2007
704092	4VZBN1D928C		2008 KS	DP	3943 S	9/17/2007	9/26/2007
704096	4VZBN1D998C		2008 KS	DP	3916 S	9/5/2007	9/13/2007
704097	4VZBN1D908C		2008 KS	DP	3910 S	9/6/2007	9/17/2007

704100	4VZBN1D908C	2008 KS	DP	3960 S	9/19/2007	10/1/2007
704101	4VZBN1D908C	2008 KS	DP	3910 S	10/1/2007	10/10/2007
704110	4VZBN1D978C	2008 KS	DP	3910 S	9/26/2007	10/8/2007
704112	4VZBN1D978C	2008 KS	DP	3912 S	10/9/2007	10/18/2007
704113	4VZBN1D968C	2008 KS	DP	3916 S	10/3/2007	10/15/2007
704114	4VZBN1D988C	2008 KS	DP	3910 S	10/4/2007	10/16/2007
704115	4VZBN1D948C	2008 KS	DP	3910 S	10/2/2007	10/11/2007
704120	4VZBN1D968C	2008 KS	DP	3916 S	10/16/2007	10/25/2007
704121	4VZBN1D928C	2008 KS	DP	3960 S	10/2/2007	10/11/2007
704122	4VZBN1D928C	2008 KS	DP	3916 S	10/2/2007	10/11/2007
704129	4VZBN1D908C	2008 KS	DP	3916 S	10/23/2007	11/1/2007
704136	4VZBN1D998C	2008 KS	DP	3910 S	10/18/2007	10/30/2007
704138	4VZBN1D988C	2008 KS	DP	3910 S	10/24/2007	11/5/2007
704145	4VZBN1D978C	2008 KS	DP	3916 S	11/5/2007	11/14/2007
704146	4VZBN1D948C	2008 KS	DP	3910 S	11/7/2007	11/19/2007
704147	4VZBN1D9X8C	2008 KS	DP	3916 S	11/1/2007	11/13/2007
704161	4VZBN1D948C	2008 KS	DP	3916 S	11/14/2007	11/28/2007
704167	4VZBN1D988C	2008 KS	DP	3910 S	11/14/2007	11/29/2007
704180	4VZBN1D918C	2008 KS	DP	3943 S	1/8/2008	1/17/2008
704188	4VZBN1D968C	2008 KS	DP	3910 S	11/21/2007	12/4/2007
704193	4VZBN1D908C	2008 KS	DP	3912 S	12/5/2007	12/17/2007
704194	4VZBN1D928C	2008 KS	DP	3916 S	12/6/2007	12/19/2007
704200	4VZBN1D968C	2008 KS	DP	3910 S	12/11/2007	1/8/2008
704201	4VZBN1D9X8C	2008 KS	DP	3910 S	12/10/2007	1/10/2008
704203	4VZBN1D9X8C	2008 KS	DP	3910 S	1/10/2008	1/22/2008
704209	4VZBN1D958C	2008 KS	DP	3910 S	1/15/2008	1/28/2008
704210	4VZBN1D938C	2008 KS	DP	3916 S	1/14/2008	1/23/2008
704211	4VZBN1D918C	2008 KS	DP	3916 S	1/17/2008	1/30/2008
704212	4VZBN1D938C	2008 KS	DP	3916 S	1/28/2008	2/18/2008
704213	4VZBN1D948C	2008 KS	DP	3910 S	2/12/2008	2/27/2008
704222	4VZBN1D978C	2008 KS	DP	3910 S	3/13/2008	4/2/2008
704223	4VZBN1D968C	2008 KS	DP	3910 S	3/11/2008	4/1/2008
704226	4VZBN1D998C	2008 KS	DP	3916 S	3/31/2008	4/14/2008
740001	4VZBT1D929C	2009 DA	DP	4304 S	4/23/2008	5/6/2008
740012	4VZBT1D999C	2009 DA	DP	4304 S	5/15/2008	5/29/2008
740013	4VZBR1D929C	2009 DA	DP	4085 S	5/12/2008	5/22/2008
740020	4VZBT1D979C	2009 DA	DP	4331 S	4/29/2008	5/12/2008
740028	4VZBR1D909C	2009 DA	DP	4085 S	5/22/2008	6/11/2008
740035	4VZBT1D959C	2009 DA	DP	4304 S	6/17/2008	7/29/2008
740037	4VZBR1D949C	2009 DA	DP	4085 S	7/29/2008	8/13/2008
740042	4VZBR1D9X9C	2009 DA	DP	4023 S	7/31/2008	8/27/2008
740045	4VZBR1D939C	2009 DA	DP	4023 S	8/11/2008	9/15/2008
740046	4VZBT1D9X9C	2009 DA	DP	4304 S	8/28/2008	9/23/2008
740057	4VZBT1D909C	2009 DA	DP	4304 S	2/10/2009	3/3/2009
740060	4VZBT1D999C	2010 DA	DP	4331 S	4/8/2009	4/21/2009
740067	4VZBT1D92AC	2010 DA	DP	4304 S	6/8/2009	6/16/2009