

September 28, 2016

01800 Version 2

LKAS Does Not Keep Vehicle in Detected Lane

Supersedes 15-027, dated May 8, 2015, to revise the information highlighted in **yellow**.

AFFECTED VEHICLES

Year	Model	Trim	VIN Range
2015-16	TLX	Technology, Advance Package	ALL
2016	MDX	Advance, All with AcuraWatch Plus	ALL
2016	RDX	Advance, All with AcuraWatch Plus	ALL
2016	ILX	All with AcuraWatch Plus	ALL

REVISION SUMMARY

Updated AFFECTED VEHICLES section.

SYMPTOM

The LKAS does not keep the vehicle in its detected designated lane and no DTC is stored.

POSSIBLE CAUSES

The front multipurpose camera unit/rain sensor harness is not secured in its clip, causing the camera unit to shift out of its neutral position in its bracket.

CORRECTIVE ACTION

Make sure the front multipurpose camera unit/rain sensor harness is properly secured and, if necessary, remove and install the front multipurpose camera unit.

WARRANTY CLAIM INFORMATION

The normal warranty applies.

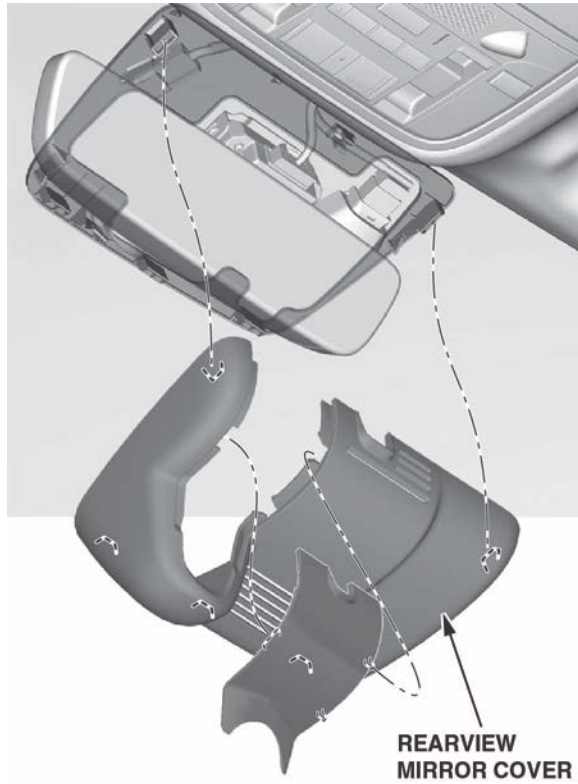
Operation Number	Description	Flat Rate Time	Defect Code	Symptom Code	Template ID	Failed Part Number
7453A1	Inspect the harness, remove and install the front multipurpose camera unit, do the aiming procedure.	0.7 hr	06201	03214	15-027N	36160-TZ4-A03

Skill Level: Repair Technician

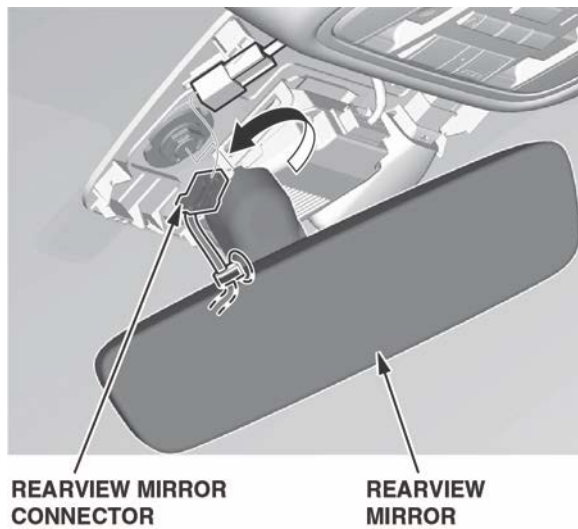
CLIENT INFORMATION: The information in this bulletin is intended for use only by skilled technicians who have the proper tools, equipment, and training to correctly and safely maintain your vehicle. These procedures should not be attempted by "do-it-yourselfers," and you should not assume this bulletin applies to your vehicle, or that your vehicle has the condition described. To determine whether this information applies, contact an authorized Acura automobile dealer.

INSPECTION AND REPAIR PROCEDURE

1. Remove the rearview mirror cover.

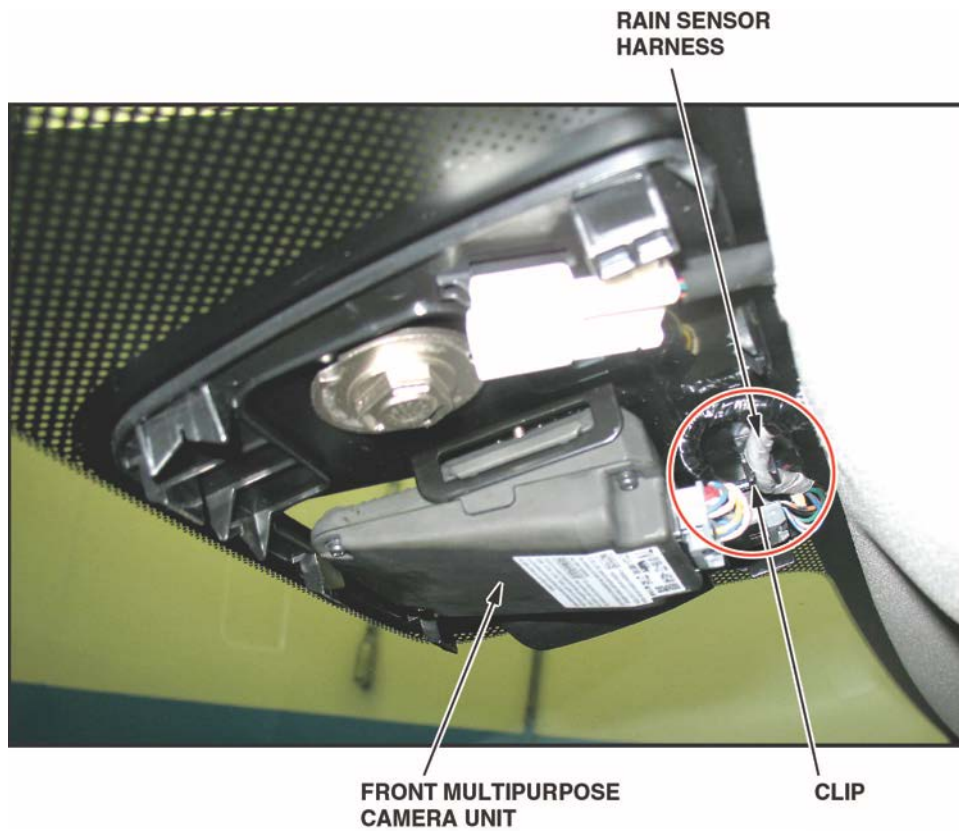


2. Disconnect the rearview mirror connector.



3. Remove the rearview mirror from its base by turning it counterclockwise.

4. Make sure the front multipurpose camera unit/rain sensor harness is secured properly by its clip as shown.



5. Disconnect the front multipurpose camera unit connector.

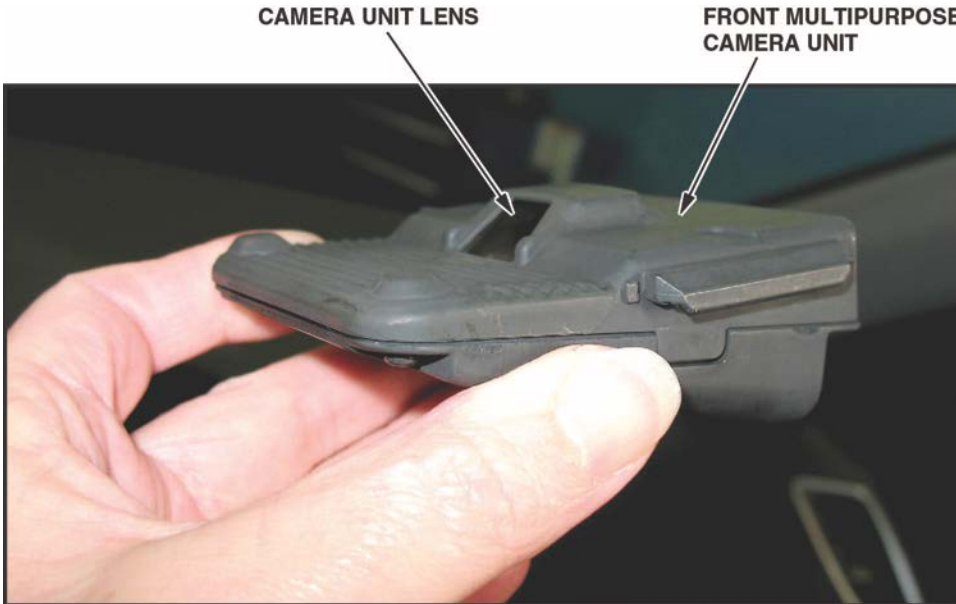


6. Remove the front multipurpose camera unit.



**FRONT MULTIPURPOSE
CAMERA UNIT**

NOTE: Do not touch the camera unit lens.



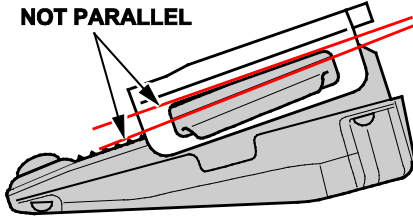
7. Clean the inside of the windshield with isopropyl alcohol where the camera unit is mounted.
8. Install the front multipurpose camera unit and connector.

9. Make sure the harness does not put any pressure on the camera, forcing it out of position while docked in its bracket. The gap between the camera base and the top of the bracket should be parallel. If it is not, shift the harness to relieve the pressure off the spring clips that hold the camera in place.

NOTE: Do not adjust the spring clips in the camera bracket to set the gap.

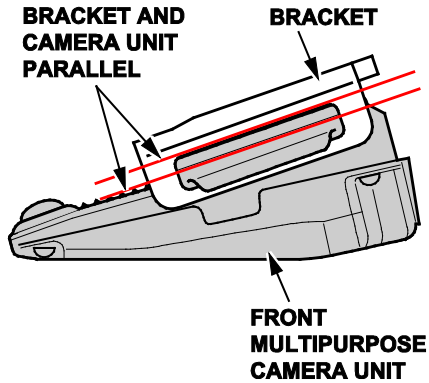
INCORRECT:

**BRACKET AND
CAMERA UNIT
NOT PARALLEL**



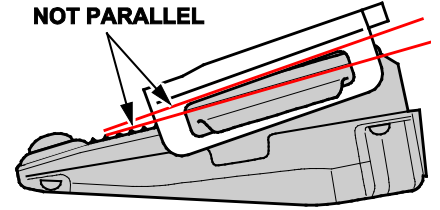
CORRECT:

**BRACKET AND
CAMERA UNIT
PARALLEL**



INCORRECT:

**BRACKET AND
CAMERA UNIT
NOT PARALLEL**



**BRACKET AND
CAMERA UNIT
PARALLEL**

BRACKET



**FRONT
MULTIPURPOSE
CAMERA UNIT**

10. Connect the rearview mirror connector.
11. Reinstall the rearview mirror.
12. Install the review mirror cover.
13. Do the multipurpose camera unit aiming procedure, according to the service information. LKAS requires both static and dynamic aiming with the i-HDS.

END