

Front & Rear License Plate & Mounting Bracket

Service Category General

Section Pre-Delivery Service

Market USA

Lexus Supports
ASE Certification 

Applicability

YEAR(S)	MODEL(S)	ADDITIONAL INFORMATION
2017	CT200H	

Introduction

The following procedures are recommended for front and rear license plate installation on 2017 model year CT 200h vehicles. The front license plate mounting bracket and 2 self-tapping screws are placed in the luggage compartment of the vehicle at the assembly plant.

For states that require a front license plate, install the bracket and bolts on the bumper cover during Pre-Delivery Service (PDS) according to the following procedures.

NOTE

The rear license plate should be installed using non-corroding self-tapping screws.

Warranty Information

OP CODE	DESCRIPTION	TIME	OFF	T1	T2
N/A	Not Applicable to Warranty	–	–	–	–

Front & Rear License Plate & Mounting Bracket

Installation Procedure

Front License Plate:

1. Align holes "A" of the mounting bracket with the dimples on the front bumper cover. Mark the location of holes "B" on the front bumper cover.

NOTE

- Holes "A" are used to install the mounting bracket to the bumper cover.
- Holes "B" are used for installation of the front license plate to the mounting bracket.

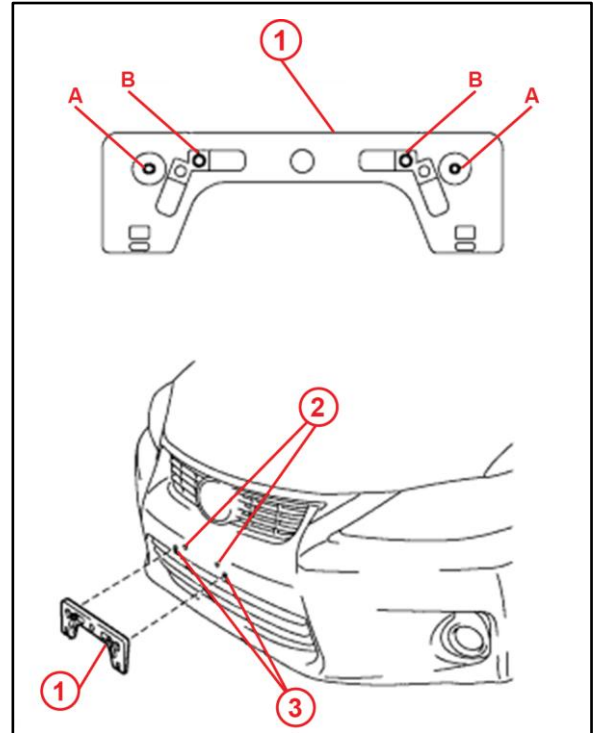
2. Drill 2 relief holes with a diameter of 11 mm (0.43 in.) at the marks on the front bumper cover (holes "B" location) to prevent the license plate retaining bolt ends from contacting the cover.

NOTE

Do NOT drill into the dimples on the front bumper cover.

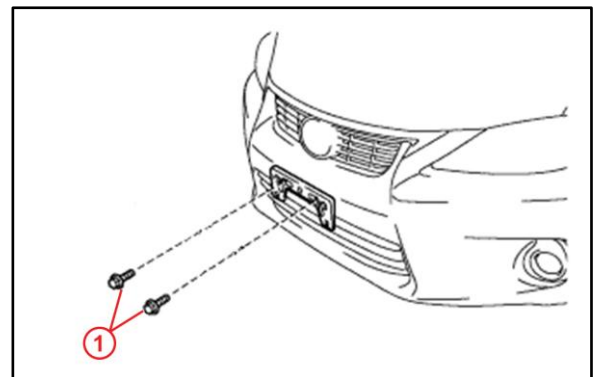
3. Install the mounting bracket to the front bumper cover at holes "A" using the 2 supplied self-tapping screws.

Figure 1.



1	Mounting Bracket
2	Mark and Drill Holes
3	Dimples

Figure 2.



1	Self-Tapping Screws into Holes "A"
---	------------------------------------

Front & Rear License Plate & Mounting Bracket

Installation Procedure (Continued)

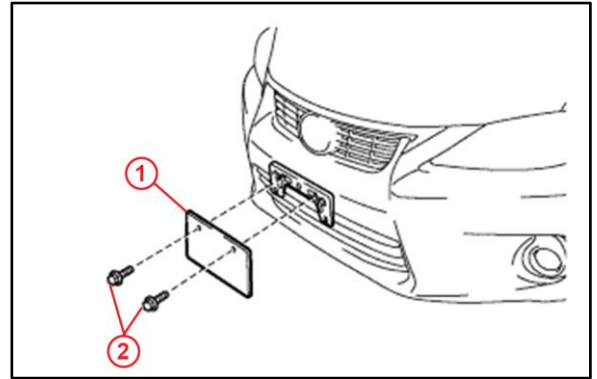
Front License Plate (Continued):

4. Install the front license plate to the mounting bracket at holes "B" using 2 non-corroding bolts with the following dimensions.

Nominal Length: 15.0 mm (0.59 in.)

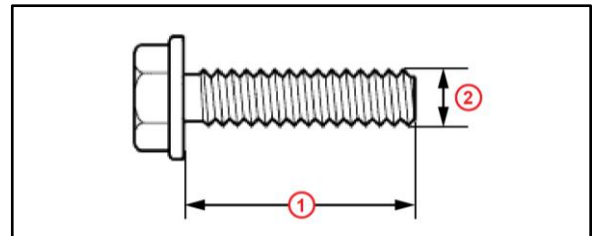
Diameter: 6.0 mm (0.24 in.)

Figure 3.



1	Front License Plate
2	Bolts

Figure 4.



1	Nominal Length
2	Diameter

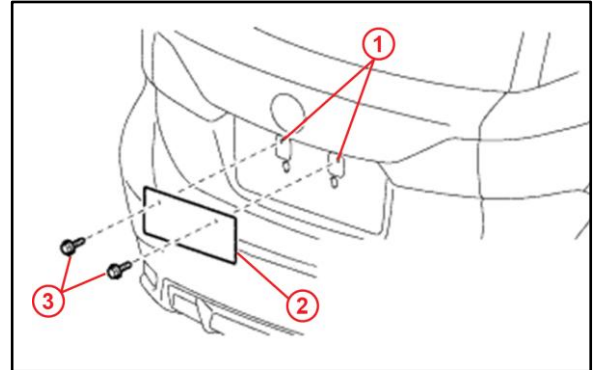
Front & Rear License Plate & Mounting Bracket

Installation Procedure (Continued)

Rear License Plate:

1. Align the installation holes of the rear license plate with the retainer on the back door.

Figure 5.



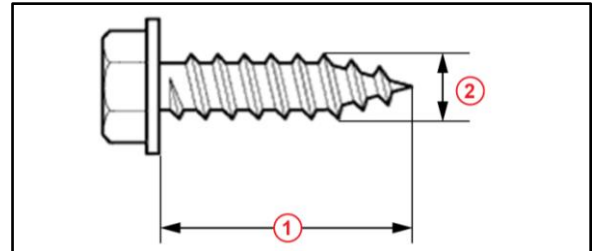
1	Retainer
2	License Plate
3	Self-Tapping Screws

2. Install the rear license plate to the retainer on the back door using 2 non-corroding self-tapping screws with the following dimensions.

Nominal Length: 16.0 mm (0.63 in.)

Diameter: 6.0 mm (0.24 in.)

Figure 6.



1	Nominal Length
2	Diameter