

Front License Plate and Mounting Bracket Installation

Service Category General

Section Pre-Delivery Service

Market USA

Lexus Supports
ASE Certification 

Applicability

YEAR(S)	MODEL(S)	ADDITIONAL INFORMATION
2017	LX570	

Introduction

The 2017 model year LX 570 front license plate bracket and 2 self-tapping screws are stored in the luggage compartment of the vehicle at the assembly plant. For states that require a front license plate, install the bracket and bolts on the bumper cover during Pre-Delivery Service (PDS) according to the following procedure.

Warranty Information

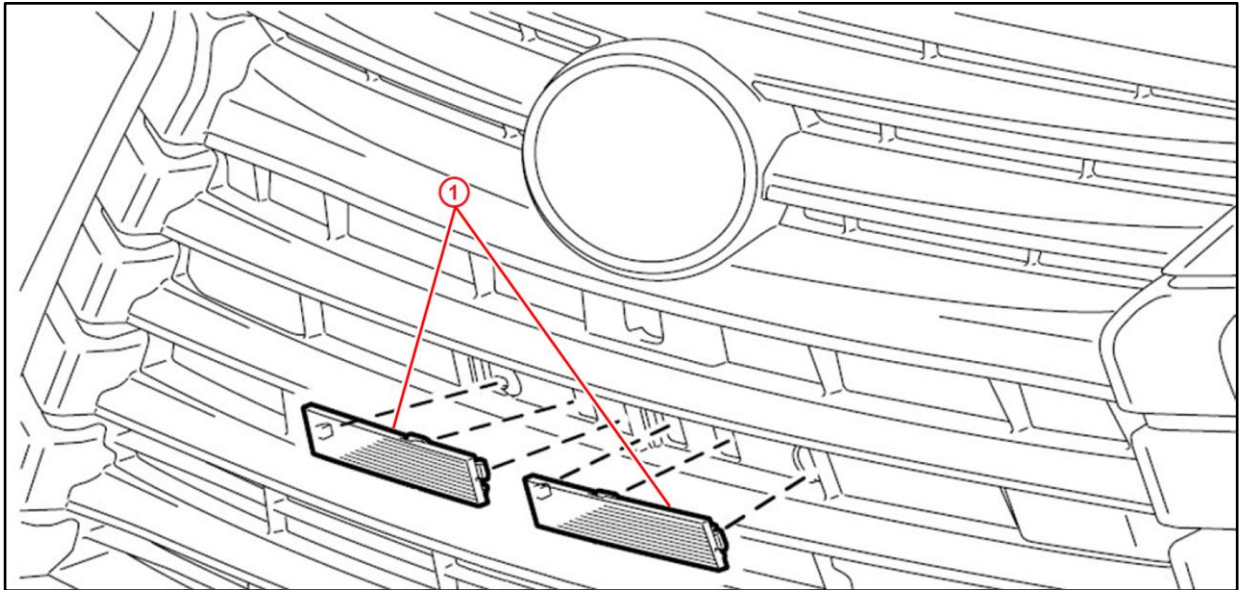
OP CODE	DESCRIPTION	TIME	OFP	T1	T2
N/A	Not Applicable to Warranty	–	–	–	–

Front License Plate and Mounting Bracket Installation

Installation Procedure

1. Disengage the 3 claws and remove the 2 radiator grille moldings.

Figure 1.



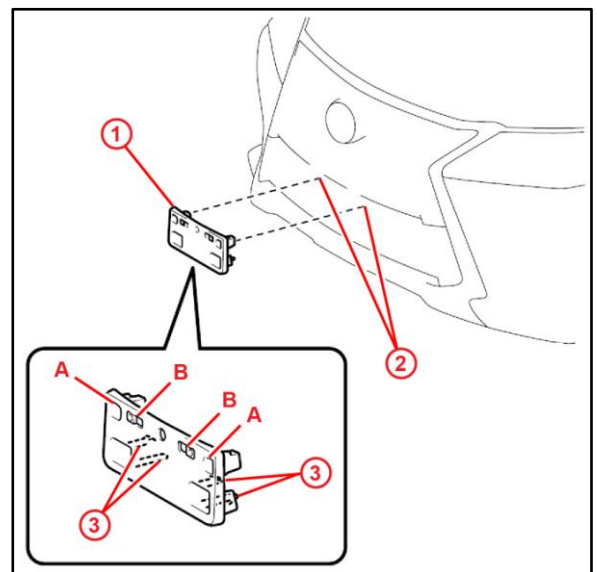
1	Radiator Grille Moldings
----------	---------------------------------

2. Attach the hooks of the front license plate mounting bracket to the air intake of the radiator grille and hold in place.
3. Align holes "A" of the mounting bracket with the installation holes on the radiator grille.

NOTE

- Holes "A" are used to install the mounting bracket to the bumper cover.
- Holes "B" are used to install the front license plate to the mounting bracket.

Figure 2.



1	Mounting Bracket
2	Installation Holes
3	Hooks

Front License Plate and Mounting Bracket Installation

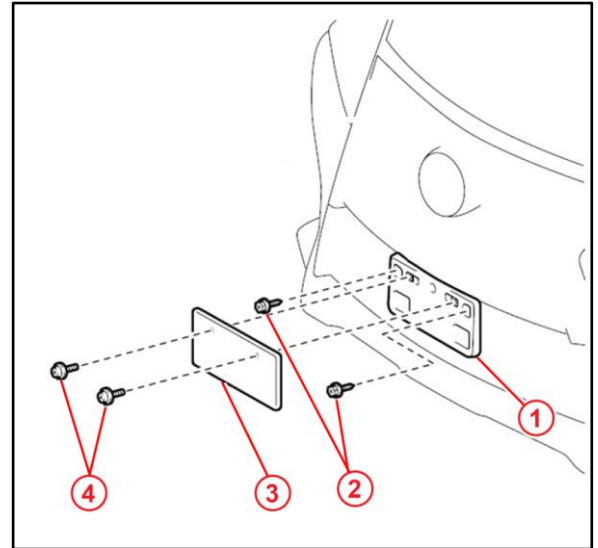
Installation Procedure (Continued)

4. Install the mounting bracket to the radiator grille using 2 self-tapping screws provided.

NOTE

Do NOT over-tighten the self-tapping screws.

Figure 3.



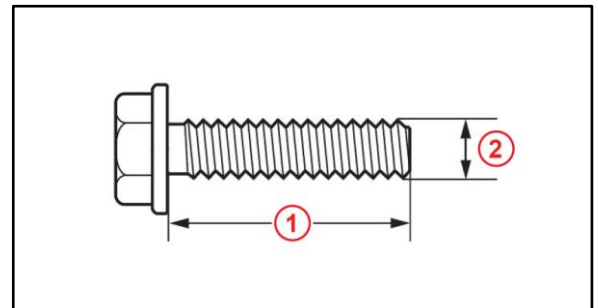
1	Mounting Bracket
2	Self-tapping Screws
3	License Plate
4	Bolts

5. Install the front license plate using 2 non-corroding bolts with the following dimensions:

Nominal Length: 15.0 mm (0.59 in.)

Diameter: 6.0 mm (0.24 in.)

Figure 4.



1	Nominal Length
2	Diameter