

REFERENCE:	Nova Bus Manuals
SECTION:	07: Steering Mechanism
RS N°:	MQR 7621-732
EFFECTIVE IN PROD.:	L931 (2015NO)

APPLICATION DEADLINE:NA

SUBJECT:	Pitman arm
JUSTIFICATION:	Introducing new hardware and installation procedure for Pitman arm.

LEVEL	DESCRIPTION	DIRECT CHARGES		TIME
		LABOUR	MATERIAL	
1	Installation of new hardware with reference to below mentioned procedure.	Client	Client	20 min
2	–	–	–	–

MATERIAL

QTY	PART N°	REV.	DESCRIPTION	REPLACES PART N°
LEVEL 1				
1	N81124	–	BOLT	–
1	N81126	–	REGULAR NUT	–
1	N81127	–	JAM NUT	–
1	N81125	–	THICK WASHER	–
1	N30343	–	THIN WASHER	–
LEVEL 2				
–	–	–	–	–

To order, please contact Prevost Parts by phone at 1-800-771-6682, by fax at 1-888-668-2555 or by email at prevostparts.commandes@volvo.com. Specify document number, quantity of parts required and shipping address.

DISPOSAL OF PARTS

REMOVED PARTS ARE:	DISCARDED *	RETAINED	* Dispose of the unused parts and the defective parts in accordance with local environmental standards in effect.
	Yes	–	

REVISION HISTORY

REV.	DATE	CHANGE DESCRIPTION	WRITTEN BY
NR	2015OC30	Initial release	Kumaraswamy K S
R1	2015NO04	Revised the client list	Kumaraswamy K S
R2	2015NO05	Revised the client list	Kumaraswamy K S
R3	2016MR28	Mentioned part number of Red loctite in the procedure line1.8.	Kumaraswamy K S
R4	2016AL12	Updated procedure with information about hardware cleaning prior to installation.	Kumaraswamy K S
R5	2016OC03	Updated the torque value in procedure line 1.9.	Kumaraswamy K S

CLIENT	ORDER	ROAD NUMBER		VIN (2NVY/4RKY...)		QTY
		FROM	TO	FROM	TO	
Academy Bus - New Jersey	L231	—	—	L82U563	L82U163	13
Academy Bus - New Jersey	L333	—	—	L82U273	L82U473	5
Academy Bus - New Jersey	L339	—	—	L82U483	L82U883	5
Academy Bus - New Jersey	L340	—	—	L82U493	L82U19	5
Airdrie Transit - Alberta	L664	—	—	L82U2B3	L82U2B3	1
Airdrie Transit - Alberta	L759	—	—	L82U0D3	L82U0D3	1
Ames Transportation Agency - Iowa	L707	660	661	S92U5C4	S92U1C4	2
Arrow Coach Line - Arkansas	L252	—	—	L82U963	L82U963	1
Arrow Coach Line - Arkansas	L494	—	—	L82U793	L82U793	1
Austin - CMTA - Texas	L635	5001	5001	S92U7C4	S92U7C4	1
Austin - CMTA - Texas	L636	5002	5022	S92U1D4	S92U0D4	21
Austin - CMTA - Texas	L704	5051	5068	L82J7E4	L82J2E4	18
Barrie - Ontario	L878	1501	1504	L82JXF3	L82J6F3	4
BC Transit - BCT - British Columbia	L215	9201	9210	L82U663	L82U76	10
BC Transit - BCT - British Columbia	L236	9211	9231	L82U063	L82U663	21
BC Transit - BCT - British Columbia	L342	9232	9251	L82U173	L82U173	20
BC Transit - BCT - British Columbia	L343	9252	9267	L82U973	L82U073	16
BC Transit - BCT - British Columbia	L414	9268	9289	L82U983	L82U783	22
BC Transit - BCT - British Columbia	L417	9290	9297	L82U983	L82U183	8
BC Transit - BCT - British Columbia	L430	9301	9318	L82U483	L82U483	18
BC Transit - BCT - British Columbia	L458	9298	9300	L82U683	L82UX83	3
BC Transit - BCT - British Columbia	L463	9319	9333	L82U093	L82U093	15
BC Transit - BCT - British Columbia	L481	9334	9353	L82U794	L82U094	20
BC Transit - BCT - British Columbia	L484	9370	9403	L82U494	L82U494	34
BC Transit - BCT - British Columbia	L486	9354	9369	L82U294	L82U494	16
BC Transit - BCT - British Columbia	L487	9404	9433	L82U094	L82U794	30
BC Transit - BCT - British Columbia	L604	9434	9434	L82U5C3	L82U5C3	1
BC Transit - BCT - British Columbia	L735	9435	9440	L82U4C3	L82U8C3	6
BC Transit - BCT - British Columbia	L736	9441	9446	L82U8D3	L82U7D3	6
BC Transit - BCT - British Columbia	L858	9447	9481	L82JXE3	L82J5F	35
BC Transit - BCT - British Columbia	L891	—	—	L82J5F3	L82J2F3	5
Belleville Transit - Ontario	L176	—	—	L82U563	L82U563	1
Belleville Transit - Ontario	L179	179-1	179-1	L82UX53	L82UX53	1
Belleville Transit - Ontario	L180	180-1	180-1	L82U753	L82U753	1
Belleville Transit - Ontario	L354	354-1	354-1	L82U983	L82U983	1
Belleville Transit - Ontario	L357	357-1	357-1	L82U78	L82U78	1
Belleville Transit - Ontario	L542	—	—	L82UXA3	L82U8A	3
Belleville Transit - Ontario	L598	—	—	L82U5A3	L82U7A3	2
Belleville Transit - Ontario	L655	—	—	L82U3B3	L82U3B3	1
Belleville Transit - Ontario	L702	—	—	L82U4D3	L82U4D3	1
Belleville Transit - Ontario (L168)	L129	—	—	L82S633	L82S933	2
Bow Valley Transit - Alberta	L347	1	4	L82W083	L82W683	4
Bow Valley Transit - Alberta	L712	5	6	L82U6C3	L82U8C3	2
Brampton - Ontario	L209	0601	0621	L82U253	L82U853	20

CLIENT	ORDER	ROAD NUMBER		VIN (2NVY/4RKY...)		QTY
		FROM	TO	FROM	TO	
Brampton - Ontario	L238	0609	0609	L82U663	L82U663	1
Brampton - Ontario	L253	0622	0632	L82U463	L82U763	11
Brampton - Ontario	L284	0633	0638	L82U363	L82U263	6
Brampton - Ontario	L348	0701	0715	L82U27	L82U773	15
Brampton - Ontario	L349	0801	0810	L82U28	L82UX83	10
Brampton - Ontario	L424	0811	0827	L82U78	L82U08	17
Brampton - Ontario	L425	0901	0916	L82U993	L82U593	16
Brampton - Ontario	L501	0917	0926	L82U893	L82U89	10
Brampton - Ontario	L789	—	—	L82J4E3	L82J1E3	8
Brampton - Ontario	L816	—	—	L82J3E3	L82J9E3	7
Brampton - Ontario	L864	1501	1510	L82JXF3	L82J6F	10
Brampton - Ontario	L865	1511	1519	L82JXF3	L82J9F3	9
Brantford - Ontario	L150	—	—	L82U643	L82U843	2
Brantford - Ontario	L175	—	—	L82U363	L82U363	1
Brantford - Ontario	L256	—	—	L82U363	L82U363	1
Brantford - Ontario	L257	—	—	L82UX63	L82UX63	1
Brantford - Ontario	L258	—	—	L82U163	L82U163	1
Brantford - Ontario	L351	9071	9075	L82U88	L82UX83	5
Brantford - Ontario	L422	9081	9084	L82U18	L82U783	4
Brantford - Ontario	L547	10101	10105	L82X6A3	L82X3A3	5
Brantford - Ontario	L663	10121	10121	L82U1B3	L82U1B3	1
Brantford - Ontario	L718	10123	10125	L82U5C3	L82U9C3	3
Brantford - Ontario	L775	10131	10132	L82U1D3	L82U2D3	2
Brantford NIS	L928	—	—	L82J7F3	L82J0F3	3
Burlington - Ontario	L887	7017-15	7025-15	L82J7F3	L82J8F3	9
Calgary Transit - Alberta	L601	8101	8114	L82U5A4	L82U4A4	14
Calgary Transit - Alberta	L607	8115	8130	L82UXA3	L82U6A	16
Calgary Transit - Alberta	L615	8131	8158	L82U1B4	L82U4B4	28
Calgary Transit - Alberta	L624	—	—	L82U4B4	L82U6B4	2
Calgary Transit - Alberta	L637	8161	8180	L82U7B3	L82U2B3	20
Calgary Transit - Alberta	L709	8181	8200	L82UXC3	L82U3C30	20
Calgary Transit - Alberta	L733	8201	8202	L82AXD3	L82A1D3	2
Chicago Transit Authority - CTA - Illinois	L773	—	—	L82JXD4	L82J6D4	2
Chicago Transit Authority - CTA - Illinois	L811	7902	7949	L82J6E4	L82J6E4	48
Chicago Transit Authority - CTA - Illinois	L837	7950	7999	L82J6E4	L82J1E4	50
Chicago Transit Authority - CTA - Illinois	L847	8000	8049	L82J1E4	L82JXE4	50
Chicago Transit Authority - CTA - Illinois	L848	8050	8099	L82JXF4	L82J1F4	50
Chicago Transit Authority - CTA - Illinois	L849	8100	8149	L82J5F4	L82J3F4	50
Chicago Transit Authority - CTA - Illinois	L850	8150	8177	L82J5F4	L82J8F4	28
Clemson Area Transit - South Carolina	L617	—	—	S92U5C4	S92U5C4	1
Clemson Area Transit - South Carolina	L769	—	—	S92U1D4	S92U1D4	1
CMBC (TransLink) - British Columbia	L301	9602	9649	L82U373	L82U173	48
CMBC (TransLink) - British Columbia	L302	9650	9706	L82U673	L82U973	56
CMBC (TransLink) - British Columbia	L317	9601	9601	L82U973	L82U973	1

CLIENT	ORDER	ROAD NUMBER		VIN (2NVY/4RKY...)		QTY
		FROM	TO	FROM	TO	
CMBC (TransLink) - British Columbia	L341	V9707	V9725	L82U373	L82U573	19
CMBC (TransLink) - British Columbia	L380	9726	9747	L82U483	L82U683	22
CMBC (TransLink) - British Columbia	L381	9748	9781	L82U383	L82U483	34
CMBC (TransLink) - British Columbia	L382	9782	9791	L82U083	L82U783	10
CMBC (TransLink) - British Columbia	L412	9401	9401	L82X993	L82X993	1
CMBC (TransLink) - British Columbia	L454	9402	9470	L82X7930	L82XX930	69
CMBC (TransLink) - British Columbia	L455	9471	9491	L82X093	L82X993	21
CMBC (TransLink) - British Columbia	L482	9492	9517	L82X894	L82X094	25
CMBC (TransLink) - British Columbia	L483	9518	9542	L82X294	L82X594	25
CMBC (TransLink) - British Columbia	L532	9543	9551	L82U093	L82U693	9
CMBC (TransLink) - British Columbia	L533	9552	9573	L82U193	L82U093	22
CMBC (TransLink) - British Columbia	L534	9574	9590	L82U694	L82U894	16
CMBC (West Vancouver) - British Columbia	L345	701	702	L82U373	L82U573	2
CMBC (West Vancouver) - British Columbia	L401	801	803	L82U983	L82U283	3
CMBC (West Vancouver) - British Columbia	L539	901	909	L82U494	L82U994	9
CT Transit - Connecticut	L554	1041	1065	S92U1A4	S92U0A4	25
CT Transit - Connecticut	L571	1101	1110	S92YXB4	S92Y4B4	10
CT Transit - Connecticut	L814	1462	1473	S92LXE4	S92L4E4	12
CT Transit - Connecticut	L815	1426	1426	S92L0E4	S92L0E4	4
CTA 40FT NIS	L848	8050	8099	L82JXF4	L82J1F4	50
CTA 40FT NIS	L849	8100	8149	L82J5F4	L82J3F4	50
CTA 40FT NIS	L850	8150	8177	L82J5F4	L82J8F4	28
CTA NIS	L847	8000	8049	L82JXF4	L82J8F4	50
Demo - Articulated Bus	L433	—	—	S92UX93	S92UX93	1
Demo - Engineering Platform 2010 (Altoona)	L373	373-1	373-1	L82UX83	L82UX83	1
Demo - Nova PF2010 (TARC)	L356	356-2	356-2	L82U883	L82U883	1
Demo - Plateforme 2010 (ATQ)	L456	—	—	L82U8930	L82U8930	1
Demo - Proto Platform 2010	L271	—	—	L82U283	L82U283	2
Demo CNG	L716	—	—	L82A5D3	L82A5D3	1
Duke University - North Carolina	L651	—	—	S92Y1B4	S92Y3B4	2
Duke University - North Carolina (ref. L703)	L641	—	—	L82U9C4	L82U1C4	8
Durham Region Transit - Ontario	L182	182-1	182-1	L82U653	L82U653	1
Durham Region Transit - Ontario	L199	169	169	L82U453	L82U453	1
Durham Region Transit - Ontario	L212	—	—	L82UX53	L82UX53	1
Durham Region Transit - Ontario	L213	—	—	L82U153	L82U153	1
Durham Region Transit - Ontario	L224	170	170	L82U963	L82U963	1
Durham Region Transit - Ontario	L872	8551	8553	L82J0F3	L82J4F3	3
Durham Region Transit - Ontario	L888	8554	8559	L82J2F3	L82J1F3	6
First Transit Inc. (ref. L173)	L144	—	—	L82U543	L82U543	1
Fredericton - New Brunswick	L146	8031	8032	L82U543	L82U743	2
Fredericton - New Brunswick	L178	8053	8053	L82U653	L82U653	1
Fredericton - New Brunswick	L225	8061	8061	L82U663	L82U663	1
Fredericton - New Brunswick	L240	8062	8062	L82U163	L82U163	1
Fredericton - New Brunswick	L276	8064	8065	L82U463	L82U663	2

CLIENT	ORDER	ROAD NUMBER		VIN (2NVY/4RKY...)		QTY
		FROM	TO	FROM	TO	
Fredericton - New Brunswick	L281	8063	8063	L82U363	L82U363	1
Fredericton - New Brunswick	L282	8071	8072	L82UX73	L82U173	2
Fredericton - New Brunswick	L289	—	—	L82U573	L82U573	1
Fredericton - New Brunswick	L369	1	1	L82U693	L82U693	1
Fredericton - New Brunswick	L375	8081	8081	L82U983	L82U983	1
Fredericton - New Brunswick	L672	8111	8112	L82U0B3	L82U2B3	2
Fredericton - New Brunswick	L688	8113	8113	L82U8C3	L82U8C3	1
Fredericton - New Brunswick	L774	8131	8131	L82U7D3	L82U7D3	1
Fredericton - New Brunswick	L812	—	—	L82J4E3	L82J4E3	1
Fredericton - New Brunswick	L836	8143	8143	L82J2E3	L82J2E3	1
Fredericton - New Brunswick	L901	8151	8151	L82J7F3	L82J7F3	1
Gaylord Opryland - Nashville, Tennessee	L223	—	—	L82VX53	L82VX53	1
Gaylord Opryland - Nashville, Tennessee	L283	—	—	L82V773	L82V773	1
Gaylord Opryland - Nashville, Tennessee	L353	—	—	L82U583	L82U383	3
Grand River Transit - GRT - Ontario	L145	2400	2417	L82U143	L82U1430	18
Grand River Transit - GRT - Ontario	L161	2418	2433	L82U643	L82U843	16
Grand River Transit - GRT - Ontario	L243	2601	2614	L82U463	L82U363	14
Grand River Transit - GRT - Ontario	L337	2701	2712	L82U373	L82UX73	12
Grand River Transit - GRT - Ontario	L338	2713	2724	L82U773	L82U173	12
Grand River Transit - GRT - Ontario	L404	8007	8021	L82U683	L82U683	15
Grand River Transit - GRT - Ontario	L405	8022	8027	L82W683	L82WX83	6
Grand River Transit - GRT - Ontario	L464	20901	20913	L82U193	L82U493	13
Grand River Transit - GRT - Ontario	L560	21001	21009	L82U2A3	L82U1A3	9
Grand River Transit - GRT - Ontario	L599	21116	21118	L82X9B3	L82X2B3	3
Grand River Transit - GRT - Ontario	L631	21119	21121	L82X4B3	L82X2B3	3
Grand River Transit - GRT - Ontario	L633	21101	21115	L82U7B30	L82U8B30	15
Grand River Transit - GRT - Ontario	L668	21201	21220	L82U6C3	L82UXC3	20
Grande Prairie A berta	L834	—	—	L82J7E3	L82J2E3	4
Greater Toronto Airports Authority - GTAA - Ontario	L432	432-1	432-1	L82U793	L82U793	1
Greater Toronto Airports Authority - GTAA - Ontario	L477	L477-1	L477-1	L82U1940	L82U194	1
Greater Toronto Airports Authority - GTAA - Ontario	L616	—	—	L82U4C45	L82U4C4	1
Guelph - Ontario	L187	185	188	L82U3530	L82U953	4
Guelph - Ontario	L211	183	184	L82U653	L82U853	2
Guelph - Ontario	L241	189	194	L82U363	L82U263	6
Guelph - Ontario	L397	195	198	L82U183	L82U7830	4
Guelph - Ontario	L418	199	205	L82U883	L82U983	7
Guelph - Ontario	L431	206	220	L82U793	L82U7930	15
Guelph - Ontario	L579	221	224	L82UXA3	L82U5A3	4
Guelph - Ontario	L669	225	228	L82U9B3	L82U4B3	4
Guelph - Ontario	L715	234	235	L82U3C3	L82U5C30	2
Guelph - Ontario	L767	237	239	L82UXD3	L82U3D3	3
Guelph - Ontario	L835	240	243	L82J0E3	L82J0E3	4
Guelph - Ontario	L927	244	247	L82J1F30	L82J9F3	4
Halifax - Nova Scotia	L558	717	731	S92UXA3	S92U6A3	15

CLIENT	ORDER	ROAD NUMBER		VIN (2NVY/4RKY...)		QTY
		FROM	TO	FROM	TO	
Halifax - Nova Scotia	L613	732	741	S92UXB3	S92UXB3	10
Halifax - Nova Scotia	L693	526	534	L82U8C3	L82U7C3	9
Halifax - Nova Scotia	L708	742	761	L92UXC3	S92U3C3	20
Halifax - Nova Scotia	L710	1160	1161	L82U7C3	L82U9C3	2
Hamilton - Ontario	L885	1501	1518	L82K3F4	L82K0F4	18
Honolulu - Hawaii	L559	201	224	L82U6A4	L82U7A4	24
Houston - Texas	L737	1510	1510	S92U4D4	S92U4D4	1
Houston - Texas	L755	1511	1579	S92U4D4	S92U8D4	69
Kings Transit - Nova Scotia	L581	—	—	L82U2B3	L82U2B3	1
Krapf's Coaches - Pennsylvania (ref. L833)	L754	—	—	L82U4D4	L82U4D4	1
Leduc Bus Line - Ontario	L181	—	—	L82V853	L82V853	1
Leduc Bus Line - Ontario	L228	228-1	228-1	L82V663	L82V663	1
Leduc Bus Line - Ontario	L346	—	—	L82UX83	L82UX83	1
Lethbridge - Alberta	L489	165	169	L82U493	L82U193	5
Lethbridge - Alberta	L868	—	—	L82J2F3	L82J2F3	1
LYNX - Florida	L725	—	—	S92Y9D4	S92Y5D4	2
LYNX - Florida	L764	—	—	S92Y7D4	S92Y9D4	2
LYNX - Florida	L785	—	—	S92L6E4	S92L8E4	2
Marketing Sales Demo	L705	—	—	L82U1D3	L82U1D3	1
Marketing Sales Demo - MSD 1 ISB Hybrid	L548	—	—	L82X5A3	L82X5A3	1
Marketing Sales Demo - MSD 5	L619	—	—	L82X7C3	L82X7C3	1
Marketing Sales Demo - MSD 6 Houston	L628	—	—	L82U8C4	L82UXC4	2
Minnesota Valley Transit Authority - MVTA	L706	4252	4258	L82U4C4	L82UXC4	7
Moncton (Codiac) - New Brunswick	L147	504	505	L82U943	L82U043	2
Moncton (Codiac) - New Brunswick	L226	506	507	L82U863	L82UX63	2
Moncton (Codiac) - New Brunswick	L334	600	603	L82U673	L82U173	4
Moncton (Codiac) - New Brunswick	L358	358-1	358-1	L82U093	L82U093	1
Moncton (Codiac) - New Brunswick	L361	361-1	361-1	L82U293	L82U293	1
Moncton (Codiac) - New Brunswick	L569	—	—	L82U4B4	L82U4B4	1
Moncton (Codiac) - New Brunswick	L570	—	—	L82U6B4	L82U6B4	1
Moose Jaw - Saskatchewan	L344	17	25	L82U083	L82U883	5
MTD - Santa Barbara, California	L730	—	—	S92J8E4	S92J1E4	3
New York City Transit - New York	L536	1200	1201	S92U793	S92U993	2
New York City Transit - New York	L545	1202	1289	S92U5A4	S92U0A4	88
New York City Transit - New York	L608	8000	8014	L82U6B4	L82U0B4	15
New York City Transit - New York	L620	8015	8074	L82U2E4	L82U7B4	60
New York City Transit - New York	L621	8075	8089	L82U9B4	L82U9B4	15
New York City Transit - New York	L643	5895	5895	S92U1B4	S92U1B4	1
New York City Transit - New York	L670	5770	5894	S92U9B4	S92UXC4	125
New York City Transit - New York	L681	5896	5283	S92U2C4	S92U9C4	122
New York City Transit - New York	L692	5284	5363	S92U3C4	S92U3D4	80
New York City Transit - New York	L840	8090	8093	L82J5E4	L82J0E4	4
New York City Transit - New York	L841	8094	8175	L82J2F4	L82J2F4	82
New York City Transit - New York	L842	8176	8242	L82J4F4	L82J6F4	67

CLIENT	ORDER	ROAD NUMBER		VIN (2NVY/4RKY...)		QTY
		FROM	TO	FROM	TO	
NFTA - Buffalo, New York	L877	1501	1501	L82K0F4	L82K0F4	1
NFTA Buffalo NG Pilot NIS	L877	1501	1501	L82K0F4	L82K0F4	1
Niagara Falls - Ontario	L499	2986	2989	L82U093	L82U693	4
Niagara Falls - Ontario	L652	—	—	S92U3C3	S92U6C3	11
Niagara Falls - Ontario	L653	—	—	L82U9C3	L82U9C3	1
Niagara Falls - Ontario	L771	1396	1397	L82U9D3	L82U0D3	2
Niagara Parks Commission - Ontario	L656	—	—	L82U0C3	L82U2C3	2
Niagara Parks Commission - Ontario	L685	—	—	S92U9C3	S92U8C3	9
North Bay - Ontario	L895	784	785	L82J7F3	L82J9F3	2
NYCT B40656 LOT # 3	L843	8214	8214	L82J9F4	L82J9F4	1
Oakville - Ontario	L874	—	—	L82J6F3	L82JXF3	6
Oakville - Ontario	L881	—	—	L82J2F3	L82J8F3	5
Ottawa - Ontario	L162	162-1	162-1	L82V343	L82V343	1
Peterborough - Ontario	L130	60017	60021	L82S143	L82S943	5
Peterborough - Ontario	L159	60022	60024	L82S443	L82S243	3
Peterborough - Ontario	L202	—	—	L82U253	L82U653	3
Peterborough - Ontario	L411	36	50	L82U263	L82U083	15
Peterborough - Ontario	L490	—	—	L82UX93	L82U593	4
Peterborough - Ontario	L770	55	60	L82U0D3	L82UXD3	6
Peterborough - Ontario	L870	61	63	L82JXF3	L82J3F3	3
Red Deer - Alberta	L726	—	—	L82UXC3	L82U1C3	2
Red Deer - Alberta	L766	1104	1105	L82U7D3	L82U9D3	2
Red Deer - Alberta	L772	1106	1108	L82J2E3	L82J6E3	3
Red Deer - Alberta	L813	10008	10009	L82J2E3	L82J4E3	2
Red Deer - Alberta	L869	—	—	L82J9F3	L82J0F3	2
Regina - Saskatchewan	L166	598	603	L82U453	L82U853	6
Regina - Saskatchewan	L183	604	608	L82U853	L82UX53	5
Regina - Saskatchewan	L239	609	610	L82U363	L82UX63	2
Regina - Saskatchewan	L304	611	616	L82U373	L82U773	6
Regina - Saskatchewan	L356	356-1	356-1	L82U883	L82U883	1
Regina - Saskatchewan	L360	—	—	L82U283	L82U283	1
Regina - Saskatchewan	L459	617	624	L82UX83	L82U783	8
Regina - Saskatchewan	L476	625	628	L82U893	L82U393	4
Regina - Saskatchewan	L561	631	644	L82U8B4	L82UXB4	14
Regina - Saskatchewan	L639	645	654	L82U1B3	L82U2B3	10
Regina - Saskatchewan	L748	655	662	L82U3D3	L82U0D3	8
Regina - Saskatchewan	L776	663	669	L82U4D3	L82U5D3	7
Regina - Saskatchewan	L807	671	685	L82J8E3	L82J2E3	15
Regina - Saskatchewan	L892	686	691	L82J5F3	L82J4F3	6
San Joaquin County - California	L768	—	—	S92L4D4	S92L3D4	6
Samia Ontario	L873	151	152	L82J0F3	L82J0F3	2
Saskatoon - Saskatchewan	L359	—	—	S92U583	S92U583	1
Saskatoon - Saskatchewan	L551	1005	1007	S92UXA3	S92U8A3	3
Saskatoon - Saskatchewan	L568	—	—	S92U9B3	S92U9B3	1

CLIENT	ORDER	ROAD NUMBER		VIN (2NVY/4RKY...)		QTY
		FROM	TO	FROM	TO	
Saskatoon - Saskatchewan	L618	—	—	S92U1C3	S92U1C3	1
Saskatoon - Saskatchewan	L690	1201	1204	L82U6C3	L82U1C3	4
Saskatoon - Saskatchewan	L831	1401	1405	L82J7E3	L82J9E3	5
Saskatoon - Saskatchewan	L894	1501	1510	L82J0F3	L82J7F3	10
Sault Ste-Marie Transit Services - Ontario (ref. L686)	L641	135	139	L82U7C4	L82U6C4	5
Sault Ste-Marie Transit Services - Ontario (ref. L751)	L754	—	—	L82U7D4	L82U7D4	1
SEPTA - Pennsylvania	L724	7300	7301	S92Y1D4	S92Y3D4	2
SEPTA - Pennsylvania	L728	—	—	L82W7D4	L82W7D4	1
SEPTA - Pennsylvania	L741	—	—	S92L4E4	S92L4E45	1
SEPTA - Pennsylvania	L742	7371	7414	S92L6E4	S92L7E4	44
SEPTA - Pennsylvania	L743	—	—	S92L1E4	S92L2E4	15
SEPTA - Pennsylvania	L744	—	—	L82L7E4	L82LXE4	89
SEPTA - Pennsylvania	L745	7415	7415	S92L0F4	S92L0F4	1
SEPTA - Pennsylvania	L746	7416	7454	S92L7F4	S92L8F4	39
SEPTA - Pennsylvania	L749	7302	7354	S92Y7D4	S92L2E4	53
St. Catharines Ontario	L879	1501	1504	L82J4F3	L82J4F3	4
St. Catharines Ontario	L898	1560	1560	S92J4F3	S92J4F3	1
St. John - New Brunswick	L272	—	—	S92U483	S92U483	1
St. John - New Brunswick	L273	—	—	S92U383	S92U383	1
St. John - New Brunswick	L871	40585	40586	L82J8F3	L82JXF3	2
St. John's - Newfoundland	L242	0753	0756	L82U273	L82U2730	4
St. John's - Newfoundland	L352	0857	0861	L82U683	L82U383	5
St. John's - Newfoundland	L403	0962	0965	L82U299	L82U493	4
St. John's - Newfoundland	L503	1066	1066	L82U4A3	L82U4A3	1
St. John's - Newfoundland	L687	1201	1209	L82U7C3	L82U2C3	9
St. John's - Newfoundland	L731	1310	1314	L82U3C3	L82U2C3	5
St. John's - Newfoundland	L808	1415	1419	L82J4E3	L82J1E3	5
St. John's - Newfoundland	L875	1520	1525	L82JXF3	L82J3F3	6
Stratford - Ontario	L371	—	—	L82U183	L82U183	1
Stratford - Ontario	L493	—	—	L82U2A	L82U2A3	1
Stratford - Ontario	L634	—	—	L82UXB3	L82UXB3	1
Stratford - Ontario	L752	—	—	L82U9D3	L82U9D3	1
Stratford - Ontario	L893	—	—	L82J9F3	L82J0F3	2
Strathcona County Transit - Alberta	L177	921	923	L82U953	L82U253	3
Strathcona County Transit - Alberta	L233	924	929	L82V96	L82V863	6
Strathcona County Transit - Alberta	L303	930	936	L82U073	L82U673	7
Strathcona County Transit - Alberta	L383	—	—	L82U083	L82U083	1
Strathcona County Transit - Alberta	L406	937	939	L82U783	L82U08	3
Strathcona County Transit - Alberta	L407	940	943	L82W083	L82W683	4
Strathcona County Transit - Alberta	L457	944	949	L82U683	L82U683	6
Strathcona County Transit - Alberta	L523	2010	2010	L82U693	L82U693	1
Strathcona County Transit - Alberta	L524	3005	3010	L82X593	L82X493	6
Strathcona County Transit - Alberta	L580	2011	2023	L82U1A	L82U8A	13
Strathcona County Transit - Alberta	L659	2024	2028	L82U7E	L82U4B3	5

CLIENT	ORDER	ROAD NUMBER		VIN (2NVY/4RKY...)		QTY
		FROM	TO	FROM	TO	
Sudbury - Ontario	L208	—	—	L82U653	L82UX53	3
Sudbury - Ontario	L250	—	—	L82U063	L82U263	5
Sudbury - Ontario	L251	—	—	L82U063	L82U263	2
Sudbury - Ontario	L293	—	—	L82U673	L82U673	4
Sudbury - Ontario	L294	—	—	L82U873	L82UX73	2
Sudbury - Ontario	L385	781	782	L82U583	L82U783	2
Sudbury - Ontario	L386	785	785	L82U783	L82U783	1
Sudbury - Ontario	L399	783	784	L82U983	L82U583	2
Sudbury - Ontario	L465	791	795	L82U593	L82U793	5
Sudbury - Ontario	L552	801	808	L82U3A3	L82U0A3	8
Sudbury - Ontario	L632	811	817	L82U9B3	L82U4B3	7
Sudbury - Ontario	L740	831	833	L82U1D3	L82U5D3	3
Sudbury - Ontario	L890	851	855	L82JXF3	L82J6F3	5
Thunder Bay - Ontario	L221	142	144	L82U863	L82UX63	3
Thunder Bay - Ontario	L285	—	—	L82U473	L82U873	3
Thunder Bay - Ontario	L408	—	—	L82U283	L82U483	5
Thunder Bay - Ontario	L453	—	—	L82U283	L82U683	3
Thunder Bay - Ontario	L488	—	—	L82U193	L82U593	3
Thunder Bay - Ontario	L614	—	—	L82UXB3	L82U3B3	3
Thunder Bay - Ontario	L662	20168	20168	L82U3B3	L82U7B3	3
Thunder Bay - Ontario	L739	—	—	L82U3D3	L82U7D3	3
Thunder Bay - Ontario	L806	—	—	L82J6E3	L82J8E3	2
Timmins - Ontario	L184	184-1	184-1	L82UX53	L82UX53	1
Timmins - Ontario	L254	254-1	254-1	L82UX73	L82UX73	1
Timmins - Ontario	L426	—	—	L82U783	L82U883	2
Timmins - Ontario	L475	—	—	L82U493	L82U693	2
Timmins - Ontario	L550	—	—	L82U8A3	L82UXA3	2
Timmins - Ontario	L661	—	—	L82U9B3	L82U9B3	1
Timmins - Ontario	L720	12-98	12-98	L82U0C3	L82U0C3	1
Timmins - Ontario	L783	—	—	L82U8D3	L82UXD3	2
Timmins - Ontario	L839	—	—	L82J8E3	L82J8E3	1
Timmins - Ontario (ref. L189)	L144	—	—	L82U343	L82U343	1
Toronto Transit Commission - TTC - Ontario	L729	9000	9000	S92U9D3	S92U9D3	1
Toronto Transit Commission - TTC - Ontario	L738	9001	9026	S92J6D3	S92J7D3	26
Toronto Transit Commission - TTC - Ontario	L777	9027	9152	S92J7E3	S92J6E3	126
Toronto Transit Commission - TTC - Ontario	L859	8400	8400	L82J5F3	L82J5F3	1
Toronto Transit Commission - TTC - Ontario	L860	8401	8471	L82J0F3	L82J5F3	71
University of Alabama - Alabama	L295	7001	7001	L82U173	L82U173	1
University of Alabama - Alabama	L296	7002	7003	L82U373	L82U573	2
University of Alabama - Alabama	L310	7004	7013	L82U973	L82UX73	10
University of Alabama - Alabama	L311	7014	7017	L82U173	L82U173	4
University of Alabama - Alabama	L479	479-1	479-1	L82U394	L82U394	1
University of Alabama - Alabama	L480	480-1	480-1	L82U594	L82U594	1
University of Alabama - Alabama	L573	—	—	L82U9A4	L82U0A4	2

CLIENT	ORDER	ROAD NUMBER		VIN (2NVY/4RKY...)		QTY
		FROM	TO	FROM	TO	
University of Alabama - Alabama	L640	—	—	L82U9B4	L82U0B4	2
University of Alabama - Alabama	L671	7024	7025	L82U5C4	L82U1C4	2
University of Alabama - Alabama	L727	7026	7027	L82U4D4	L82U6D4	2
University of Alabama - Alabama	L787	—	—	L82J2E4	L82J4E4	2
University of Alabama - Alabama	L902	7030	7030	L82J2F4	L82J4F4	2
University of Colorado - Colorado	L237	—	—	L82U163	L82U363	2
University of Colorado - Colorado	L336	—	—	L82U77	L82U77	1
University of Colorado - Colorado	L427	—	—	S92U693	S92U693	1
University of Colorado - Colorado	L428	—	—	S92U89	S92U893	1
University of Colorado - Colorado	L627	—	—	S92UXE	S92U6B4	2
Walt Disney World - Florida	L174	174-1	174-1	L82U553	L82U553	1
Walt Disney World - Florida	L535	1204	1213	L82UXA4	L82U0A4	10
Walt Disney World - Florida	L763	—	—	S92U0D3	S92U4D3	6
Welland Ontario	L866	—	—	L82J9F3	L82J9F3	1
Whitehorse - Yukon	L278	—	—	L82U563	L82U26	4
Whitehorse - Yukon	L423	—	—	L82U983	L82U083	2
Whitehorse - Yukon	L563	38	41	L82U3A3	L82U9A	4
Whitehorse - Yukon	L784	43	43	L82U9D3	L82U9D	1
Windsor - Ontario	L186	555	564	L82U053	L82U453	10
Woodstock - Ontario	L255	—	—	L82U163	L82U163	1
Woodstock - Ontario	L335	—	—	L82U083	L82U083	1
Woodstock - Ontario	L419	—	—	L82U183	L82U183	1
Woodstock - Ontario	L460	—	—	L82U693	L82U693	1
Woodstock - Ontario	L492	—	—	L82U4A3	L82U6A3	2
Woodstock - Ontario	L778	—	—	L82U2D3	L82U2D3	1
Woodstock - Ontario	L832	—	—	L82J9E3	L82J9E3	1
Woodstock - Ontario	L923	15-16	15-16	L82J9F3	L82J9F3	1
Woodstock - Ontario (ref. L388)	L209	—	—	L82U153	L82U153	1
York Regional Transit - Ontario	L562	1080	1082	S92U2A3	S92U6A3	3
York Regional Transit - Ontario	L572	1083	1094	S92U3A3	S92U2A3	12
York Regional Transit - Ontario	L654	1370	1390	S92U1D3	S92U2D3	21
York Regional Transit - Ontario	L761	1391	1396	S92U6D3	S92UXD3	6
York Regional Transit - Ontario	L896	1501	1517	L82J2F3	L82JXF3	17

**WARNING**

Follow your internal safety procedures.

PROCEDURE

- 1.1. Park the vehicle on a level surface in neutral position and apply parking brake.
- 1.2. Make sure wheels are straight.
- 1.3. Raise the vehicle.

**WARNING**

Before working on the underside of the bus, make sure the body is blocked solidly to prevent it from dropping when the air pressure in the suspension is released.

- 1.4. Locate the pitman arm (see Figure 1).

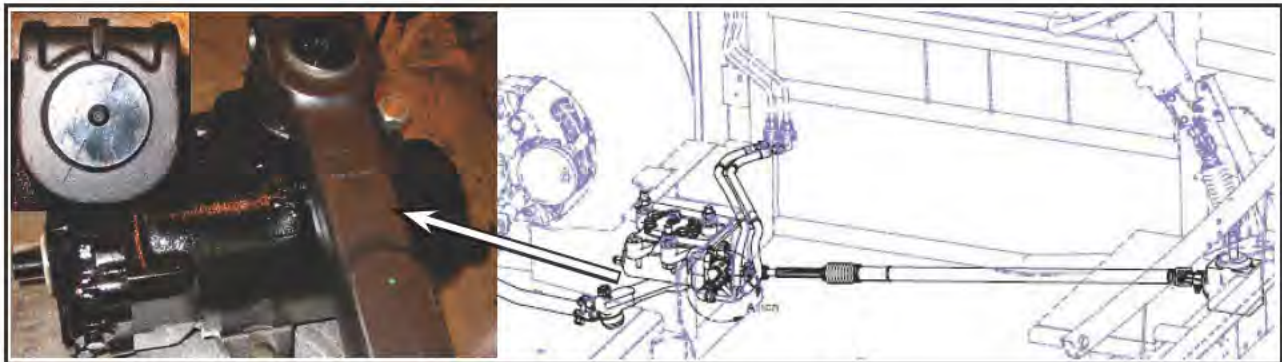


Figure 1 - Location of Pitman Arm

- 1.5. Using the appropriate tool to hold the pitman arm, remove and discard the hardware (see Figure 2).

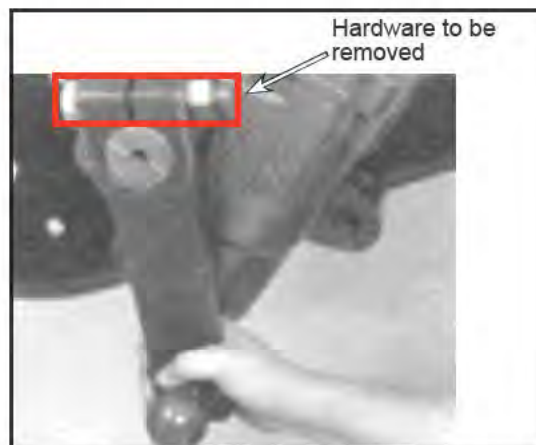


Figure 2 - Removal of Hardware

**NOTE**

The Hardware Kit is for a single, one-time use **ONLY**. If disassembled this kit must be replaced with a new kit. Clean the surfaces of the pitman arm where the new hardware is to be installed.

**NOTE**

It is mandatory for all the newly received hardware to be checked and cleaned properly so that no traces of grease, oil or lubricant are left on the surface.

- 1.6. Install the thin washer and bolt on the pitman arm to secure it to the power steering box (see Figure 3).

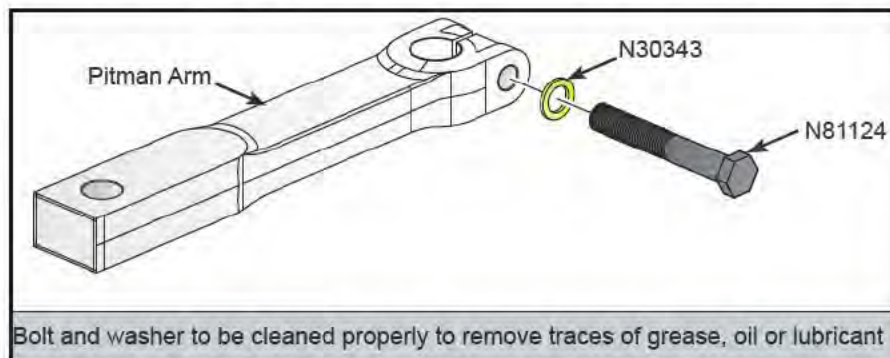


Figure 3 - Installation of Hardware on Pitman Arm

**NOTE**

Do not apply any kind of thread locker to the regular nut N81126. It should be dry and cleaned well during the installation.

- 1.7. Install the thick washer and regular nut on the end of the bolt. Tighten the nut to torque specifications (see Figure 4).

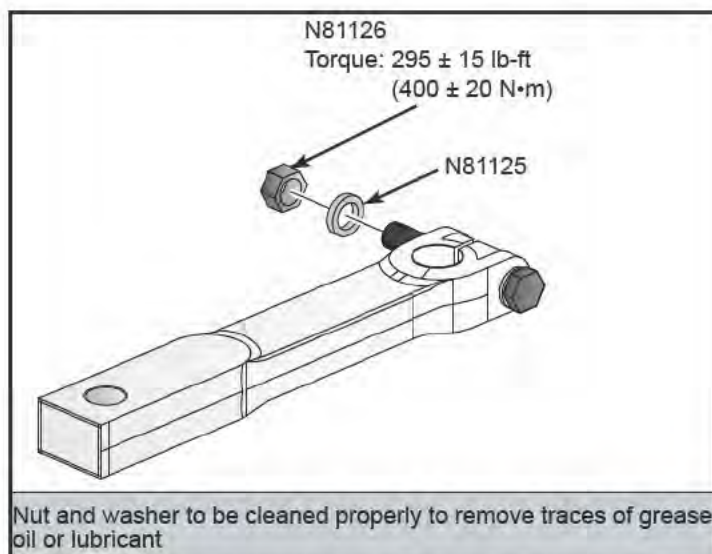


Figure 4 - Installation of Hardware on Pitman Arm

- 1.8. Apply a small amount of thread locker (Red Loctite N22120 or equivalent) on the cleaned inner surface of the jam nut (see Figure 5).

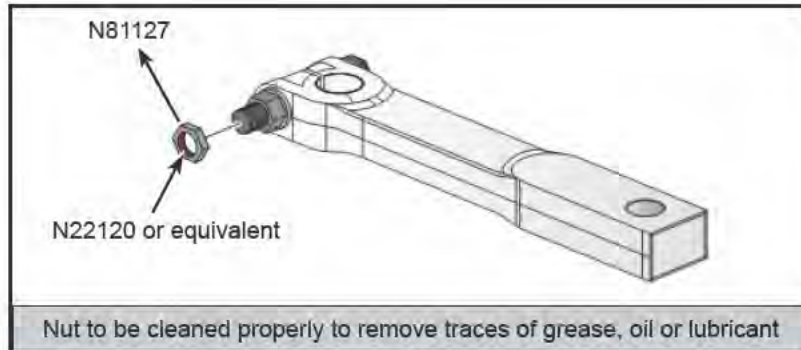


Figure 5 - Application of Thread Locker

- 1.9. Insert the jam nut on the end of the bolt. Hold the regular nut using a wrench to avoid any movement while tightening the jam nut to torque specifications (see Figure 6).

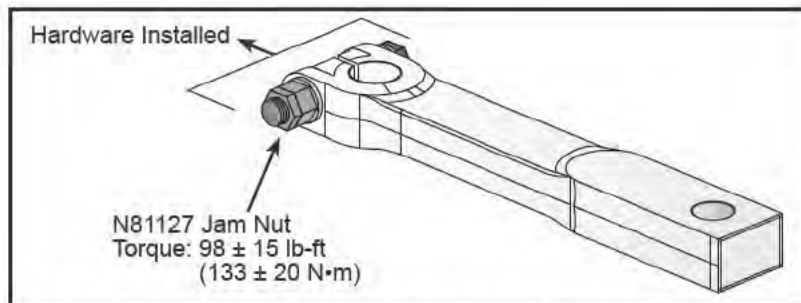


Figure 6 - Installation of Hardware on Pitman Arm



NOTE

Please refer to **SECTION 07: STEERING MECHANISM** of the Nova Bus maintenance manual for correct alignment of pitman arm and power steering box.

- 1.10. Lower the vehicle.
1.11. The vehicle may be returned to service. ❖