

NEWMAR CORPORATION WARRANTY DEPARTMENT

RECALL SERVICE BULLETIN

DATE ISSUED	MODEL YEAR(S) AFFECTED	RSB #
8/18/2016	2008, 2009, 2010, 2014, 2015	460

BRAND

Bay Star Sport	<input type="checkbox"/>	Ventana	<input checked="" type="checkbox"/>	Essex	<input checked="" type="checkbox"/>
Bay Star	<input type="checkbox"/>	Dutch Star	<input checked="" type="checkbox"/>	King Aire	<input checked="" type="checkbox"/>
Canyon Star	<input type="checkbox"/>	Mountain Aire	<input type="checkbox"/>	Kountry Star	<input checked="" type="checkbox"/>
Ventana LE	<input type="checkbox"/>	London Aire	<input type="checkbox"/>	All Star	<input checked="" type="checkbox"/>

DESCRIPTION

Spartan Motors has decided that a defect which relates to motor vehicle safety exists in specific motor homes built on Spartan chassis and in response Newmar is publishing recall NHTSA# 16V 501 TC# 2016-342.

Issue: On certain motorhomes, the exhaust flex tube may be misaligned causing the potential for the flex tube to tear. If the exhaust tube tears, hot exhaust gas could blow against other components or materials. If exhaust gas temperatures exceed the flash point of other material or components, it could increase the risk of fire causing injury and/or damage to property. This may occur without warning.

Units Affected: Check attached population list for specific unit numbers.

2008, 2009, 2010 Dutch Star	2009, 2010 Dutch Aire	2008 Kountry Star
2008, 2009 All Star	2008, 2009 Ventana	2014, 2015 King Aire
2015 Essex		

RECOMMENDED ACTION

Repair Procedure: Contact Spartan Motors to locate and schedule the recall procedure at a Spartan Authorized Service Facility. Spartan Motors provided the work instructions (they are attached). The alignment of the exhaust tube will need to be inspected. If a misalignment is identified, the tube will be aligned appropriately. If there is a tear in the exhaust tube, it will be replaced. To obtain necessary parts and/or verify recall status, please call 1-800-543-4277 opt 0 providing the VIN number (last 8 digits) and mileage of the unit.

If you have technical questions, please call Spartan Chassis Customer Product Support Department at 1-800-393-8861.

Flat Rate Code: 16V 313

Labor Time: Spartan has set the time at 1.0 hr. for alignment and 2.0 hrs. for replacement.

Note: Newmar will not be authorizing this repair. Spartan Motors will authorize and schedule this repair. If you need assistance contacting Spartan Motors, contact Newmar at 866-290-5371 for assistance.

Please read this bulletin in its entirety prior to beginning any diagnosis or repairs.



WHEN YOU KNOW THE DIFFERENCE

NEWMAR CORPORATION

NEWMARCORP.COM

Date: July 29, 2016
Re: Newmar Corporation – Motor Vehicle Recall Notification

Subject: Recall Campaign No.: 16V 501

This notice is sent to you as a Newmar Dealer in accordance with the requirements of the National Traffic and Motor Vehicle Safety Act. Newmar Corporation has decided that a defect which relates to motor vehicle safety exists in specific Newmar recreational vehicles.

The National Traffic and Motor Vehicle Safety Act requires that each vehicle which is subject to a recall campaign of this type must be satisfactorily repaired within a reasonable time after the owner has tendered it for repair. A failure to adequately repair within 60 days after tender of a vehicle is prima facie evidence of failure to repair within a reasonable time. To avoid providing these problematic solutions, every effort must be made to promptly schedule an appointment with each owner and to repair their vehicle as soon as possible. Vehicle owners are being notified of this recall. If the condition is not remedied within a reasonable time, they are instructed on how to contact the National Highway Traffic Safety Administration.

REASON FOR THIS RECALL

In response to notification from Spartan Motors, Newmar Corporation has decided that a defect which relates to motor vehicle safety exists in specific motor homes built on Spartan chassis.

On certain motorhomes, the exhaust flex tube may be misaligned causing the potential for the flex tube to tear. If the exhaust tube tears, hot exhaust gas could blow against other components or material. If exhaust gas temperatures exceed the flash point of other material or components, it could increase the risk of fire causing injury and/or damage to property. This may occur without warning.

The motorhomes require immediate service. Continued use poses a potential safety hazard.

DEALER CAMPAIGN RESPONSIBILITY

Dealers are to provide to all customers/owner vehicles the service of completing this campaign at no charge to the customer/owner regardless of vehicle age, vehicle mileage, or ownership at the time of repair.

REPAIR PROCEDURE

Spartan Motors will provide the work instructions. The alignment of the exhaust tube will need to be inspected. If a misalignment is identified, the tube will be aligned appropriately. If there is a tear in the exhaust tube, it will be replaced.

If you should have any questions please contact the Newmar service department at: 1-866-290-5371.

Thank you for your cooperation.

Sincerely,

Newmar Corporation



WHEN YOU KNOW THE DIFFERENCE

NEWMAR CORPORATION

NEWMARCORP.COM

Date: July 29, 2016
Re: Newmar Corporation – Motor Vehicle Recall Notification

Subject: Recall Campaign No.: #2016-342

This notice is sent to you as a Newmar Dealer in accordance with the requirements of the Canada Motor Vehicle Safety Act. Newmar Corporation has decided that a defect which relates to motor vehicle safety exists in specific Newmar recreational vehicles.

Each vehicle which is subject to a recall campaign of this type must be satisfactorily repaired within a reasonable time after the owner has tendered it for repair. A failure to adequately repair within 60 days after tender of a vehicle is prima facie evidence of failure to repair within a reasonable time. To avoid providing these problematic solutions, every effort must be made to promptly schedule an appointment with each owner and to repair their vehicle as soon as possible. Vehicle owners are being notified of this recall. If the condition is not remedied within a reasonable time, they are instructed to contact Transport Canada.

REASON FOR THIS RECALL

Newmar Corporation has decided that a defect which relates to motor vehicle safety exists in specific motor homes built on Spartan chassis. This recall is the result of information provided to us by Spartan Motors.

On certain motorhomes, the exhaust flex tube may be misaligned which could cause it to tear. If this occurs, hot exhaust gas could blow against other components or materials increasing the risk of fire causing injury and/or damage to property. Correction: A Spartan Motors authorized dealer will inspect and correct the flex tube alignment or replace the exhaust tube as necessary.

These motor homes require immediate service. Continued use poses a potential safety hazard.

Motorhomes included in this recall:

2008 Kountry Star

2008/2009/2010- Dutch Star

2008 All Star

2008/2009 Ventana

2009/ 2010 Dutch Aire

2014/ 2015 King Aire

2015 Essex

These motorhomes were built between 04/17/2007 and 04/14/2015.

DEALER CAMPAIGN RESPONSIBILITY

Dealers are to provide to all customers/owner vehicles the service of completing this campaign at no charge to the customer/owner regardless of vehicle age, vehicle mileage, or ownership at the time of repair.

REPAIR PROCEDURE

Spartan motors will provide the work instructions.

If you should have any questions please contact the Newmar service department at: 1-866-290-5371.

Thank you for your cooperation.

Sincerely,

Newmar Corporation



Recall Service Bulletin



DATE: 8-1-16

APPLIES TO: This service bulletin applies to certain MM and K3 models of incomplete motor home chassis built by Spartan Motors USA, Inc. between September 21, 2006 and March 23, 2015.

Bulletin # RSB15-290-001 is superseded by bulletin RSB15-290-001A due to a clarification of part numbers. Any vehicle repaired under bulletin RSB15-290-001 will not require any additional work.

NHTSA/TC Id: 16V-313

CONDITION: Flexible exhaust tubes may tear

CORRECTION: Replace exhaust tube

LABOR ALLOCATION: 1.0 hrs. for alignment
2.0 hrs. for replacement

CLASSIFICATION: E3

PARTS NEEDED:

<u>QTY</u>	<u>Part Number</u>	<u>Description</u>
1	S-2503-001B	4"X18" long 1712-LL2 replacement

Kit # S-2503-001B Contains:

<u>QTY</u>	<u>Part Number</u>	<u>Description</u>
2	1823-LL2-002	GASKET, EXHAUST, 4.63 OD
2	10028-6	V-CLAMP 4"
1	2924-LL2-001	BELLOWS-4" DIA 18" LONG
1	RSB15-290-001A	Instruction Document

<u>QTY</u>	<u>Part Number</u>	<u>Description</u>
1	S-2503-002B	5"X18" long 1701-LL2 replacement

Kit # S-2503-002B Contains:

<u>QTY</u>	<u>Part Number</u>	<u>Description</u>
2	1823-LL2-003	GASKET, EXHAUST, ISM/X DP
2	10028-3	V-CLAMP 5"
1	2922-LL2-001	BELLOWS-5" DIA 18" LONG
1	RSB15-290-001A	Instruction Document

Service Bulletins are intended for use by Professional Technicians only. They are written to guide Professional Technicians in performing service to vehicles of specific nature in conjunction with industry standards. Professional Technicians are appropriately trained on industry standards and have the tools and equipment to perform procedures safely and properly.



Recall Service Bulletin



GENERAL INSTRUCTIONS:

Thoroughly review entire service bulletin before starting work. If there are questions or concerns with steps defined in this service bulletin, contact Spartan Motors USA, Inc. Customer & Product Support Group.

All applicable industry safety standards must be followed when performing work identified in this procedure.

STEP-BY-STEP INSTRUCTIONS:

1. If installed, remove heat shields that may limit access to bellows. Retain for reuse.
2. Inspect exhaust bellows for damage, if damage is found skip to step 13.
3. Take note of current shape of bellows, bellows **must** be straight. Refer to FIG. 2-1.

FIG. 2-1

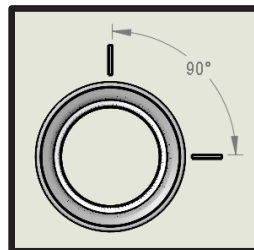


Bellows are not straight



Bellows is straight

4. Using a straight edge check for alignment of bellows.
 - a. Alignment should be checked in (2) two quadrants on bellows that are 90° from each other. Ex. Top and Side.



- b. Connecting tube alignment for bellows must meet the following requirements:

Service Bulletins are intended for use by Professional Technicians only. They are written to guide Professional Technicians in performing service to vehicles of specific nature in conjunction with industry standards. Professional Technicians are appropriately trained on industry standards and have the tools and equipment to perform procedures safely and properly.



Recall Service Bulletin

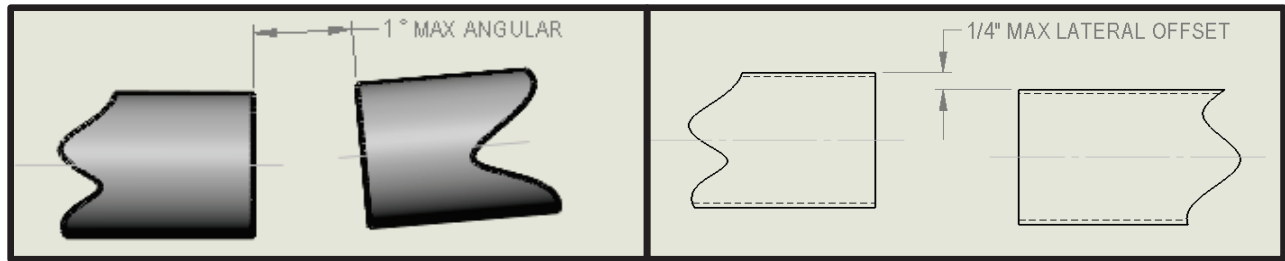


FIG. 3-1

c. Installed length of bellows must be 18.00 ± 0.25 "

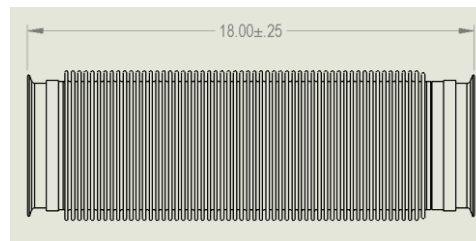


FIG. 3-2

5. If no damage is found but misalignment is present proceed to the next steps.
6. Loosen clamps, support brackets, and v-band clamps that secure tubes to allow for adjustment of the tubes. Refer to 7th digit in VIN number for engine identification. If 7th digit is D, engine is an ISL: refer to FIG. 3-3. If 7th digit is E, engine is an ISX: refer to FIG. 3-4.

ISL installation (shown with bellows as reference)

ISX installation (shown with bellows as reference)

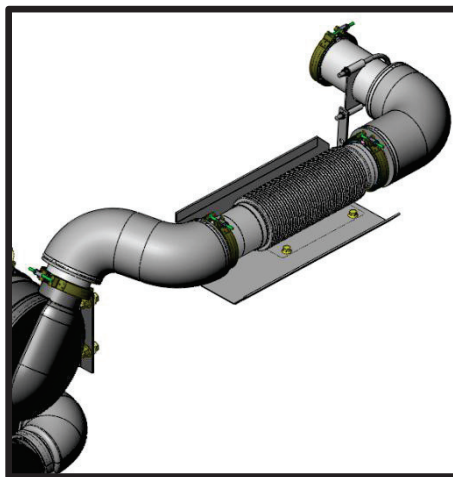


FIG. 3-3

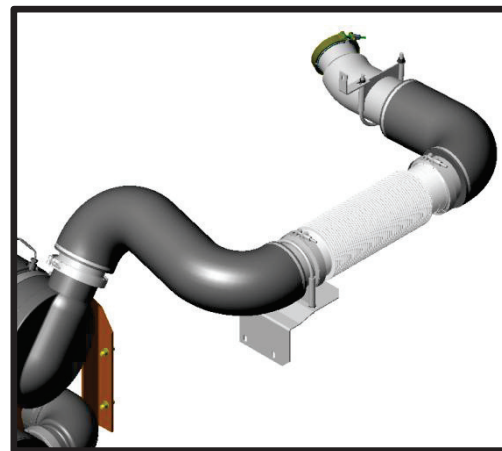


FIG. 3-4

Service Bulletins are intended for use by Professional Technicians only. They are written to guide Professional Technicians in performing service to vehicles of specific nature in conjunction with industry standards. Professional Technicians are appropriately trained on industry standards and have the tools and equipment to perform procedures safely and properly.



Recall Service Bulletin



- Using a straight edge, align tubes and exhaust bellows so they meet requirements for angularity, lateral offset and overall length. The alignment **must** be checked in (2) two quadrants that are 90° apart. Proper alignment **must** be achieved before proceeding, refer to Fig. 3-1 and 3-2.
- Once alignment requirements are met secure all clamps and brackets.

CAUTION

Alignment of the tubes and bellows are critical.

- Torque (4) v-band clamps to 90 lbs. in.
- Ensure all other hardware has been tightened.
- Recheck alignment to ensure no shifting has occurred.
- Reinstall retained heat shields (if required). Process is complete.
- Remove clamps, gaskets, and bellows. Make note of shape of bellows that may indicate any misalignment. Refer to FIG. 2-1.
- Install supplied bellows using supplied v-band clamps and gaskets. Leave clamps loose enough to allow for adjustment if required.
- Using a straight edge, check alignment of exhaust bellows. Bellows **must** meet the requirements of angularity, lateral offset, and overall length. The alignment **must** be checked in (2) two quadrants that are 90° apart. Refer to FIG. 3-1 and 3-2.
- If proper alignment is not met go back to step, 6 if alignment requirements are met proceed to step 8.

Service Bulletins are intended for use by Professional Technicians only. They are written to guide Professional Technicians in performing service to vehicles of specific nature in conjunction with industry standards. Professional Technicians are appropriately trained on industry standards and have the tools and equipment to perform procedures safely and properly.

VIN Number	Production Number	Model Year	Brand	Type	Floor Plan	Chassis Brand	Date In Production	Date Off Production
4VZDN1A968C	410427	2008	VT	DP	3933 S		12/6/2006	12/18/2006
4VZBN1D988C	703901	2008	KS	DP	3916 S		12/18/2006	1/15/2007
4VZBT1D968C	603746	2008	DS	DP	4317 S		1/10/2007	1/18/2007
4VZBR1D998C	603753	2008	DS	DP	4023 S		1/11/2007	1/22/2007
4VZDN1A9X8C	410445	2008	VT	DP	3936 S		1/11/2007	1/22/2007
4VZBR1D9X8C	603771	2008	DS	DP	4024 S		1/12/2007	1/23/2007
4VZDN1A918C	410462	2008	VT	DP	3332 S		1/12/2007	1/23/2007
4VZBR3B988C	460089	2008	AT	ME	4154 S		1/16/2007	1/29/2007
4VZBN1D948C	703940	2008	KS	DP	3943 S		1/17/2007	1/29/2007
4VZDN1A938C	410464	2008	VT	DP	3940 S		1/18/2007	1/31/2007
4VZBT1D918C	603775	2008	DS	DP	4304 S		1/22/2007	2/1/2007
4VZBR3D968C	460094	2008	AT	ME	4155 S		1/29/2007	2/8/2007
4VZBT1D938C	603779	2008	DS	DP	4320 S		1/30/2007	2/8/2007
4VZBN1B947C	703955	2008	KS	DP	3624 S		2/22/2007	3/7/2007
4VZBR3D998C	460091	2008	AT	ME	4153 S		2/28/2007	3/12/2007
4VZBT1D968C	603832	2008	DS	DP	4317 S		4/4/2007	4/16/2007
4VZBT1D9X8C	603834	2008	DS	DP	4317 S		4/5/2007	4/17/2007
4VZBT1D9X8C	603833	2008	DS	DP	4304 S		4/5/2007	4/16/2007
4VZBT1D918C	603851	2008	DS	DP	4320 S		4/9/2007	4/17/2007
4VZBT1D938C	603850	2008	DS	DP	4304 S		4/12/2007	4/24/2007
4VZBT1D908C	603835	2008	DS	DP	4304 S		4/16/2007	4/26/2007
4VZBR1D988C	603857	2008	DS	DP	4035 S		4/17/2007	4/27/2007
4VZBR3D988C	460101	2008	AT	ME	4155 S		4/17/2007	4/27/2007
4VZBN1B908C	704000	2008	KS	DP	3623 S		4/18/2007	4/30/2007
4VZBT1D958C	603839	2008	DS	DP	4354 S		4/19/2007	5/1/2007
4VZBR1D948C	603856	2008	DS	DP	4024 S		4/23/2007	5/1/2007
4VZBT1D928C	603858	2008	DS	DP	4304 S		4/23/2007	5/2/2007
4VZBT1D918C	603859	2008	DS	DP	4317 S		4/24/2007	5/3/2007
4VZBT1D948C	603867	2008	DS	DP	4304 S		4/24/2007	5/3/2007
4VZBT1D908C	603869	2008	DS	DP	4317 S		5/2/2007	5/10/2007
4VZBT1D918C	603868	2008	DS	DP	4304 S		5/2/2007	5/10/2007
4VZBT1D958C	603860	2008	DS	DP	4320 S		5/3/2007	5/11/2007
4VZBR1D968C	603853	2008	DS	DP	4023 S		5/4/2007	5/14/2007
4VZBR3B938C	460109	2008	AT	ME	3950 S		5/4/2007	5/24/2007
4VZBR3B998C	460111	2008	AT	ME	4154 S		5/4/2007	5/14/2007
4VZBT1D928C	603875	2008	DS	DP	4355 S		5/7/2007	5/16/2007
4VZBN1B988C	704005	2008	KS	DP	3623 S		5/8/2007	5/16/2007
4VZBR1D988C	603873	2008	DS	DP	4023 S		5/8/2007	5/16/2007
4VZBT1D938C	603872	2008	DS	DP	4304 S		5/9/2007	5/18/2007
4VZBT1D928C	603871	2008	DS	DP	4304 S		5/10/2007	5/21/2007
4VZBT1D908C	603864	2008	DS	DP	4304 S		5/11/2007	5/22/2007
4VZBR1D9X8C	603877	2008	DS	DP	4023 S		5/15/2007	5/24/2007
4VZBT1D928C	603876	2008	DS	DP	4317 S		5/15/2007	5/24/2007
4VZBR1D958C	603880	2008	DS	DP	4023 S		5/16/2007	5/29/2007
4VZBT1D948C	603879	2008	DS	DP	4304 S		5/16/2007	5/29/2007
4VZBR3D938C	460105	2008	AT	ME	4155 S		5/18/2007	6/1/2007
4VZBR3D978C	460108	2008	AT	ME	4156 S		5/18/2007	6/4/2007
4VZBT1D928C	603862	2008	DS	DP	4317 S		5/23/2007	6/25/2007
4VZBR1D978C	603878	2008	DS	DP	4024 S		5/24/2007	6/5/2007
4VZBR3D958C	460110	2008	AT	ME	4155 S		5/24/2007	6/5/2007
4VZBN1B968C	704024	2008	KS	DP	3624 S		5/29/2007	6/6/2007
4VZBT1D948C	603866	2008	DS	DP	4320 S		5/29/2007	6/6/2007
4VZDN1A968C	410523	2008	VT	DP	3330 S		5/29/2007	6/12/2007
4VZBR3B908C	460106	2008	AT	ME	3950 S		5/30/2007	6/11/2007
4VZBT1D918C	603865	2008	DS	DP	4304 S		5/31/2007	6/12/2007
4VZBR1D9X8C	603885	2008	DS	DP	4023 S		6/1/2007	6/13/2007
4VZBR1D958C	603882	2008	DS	DP	4035 S		6/1/2007	6/13/2007
4VZDN1A978C	410481	2008	VT	DP	3332 S		6/6/2007	6/19/2007
4VZBT1D938C	603884	2008	DS	DP	4317 S		6/7/2007	6/19/2007

VIN Number	Production Number	Model Year	Brand	Type	Floor Plan	Chassis Brand	Date In Production	Date Off Production
4VZBR3D948C	460107	2008	AT	ME	4155 S		6/11/2007	6/20/2007
4VZBN1B908C	704033	2008	KS	DP	3623 S		6/12/2007	6/25/2007
4VZDN1A998C	410524	2008	VT	DP	3332 S		6/12/2007	6/21/2007
4VZBT1D9X8C	603890	2008	DS	DP	4317 S		6/14/2007	6/26/2007
4VZBT1D918C	603887	2008	DS	DP	4304 S		6/18/2007	7/11/2007
4VZDN1A978C	410542	2008	VT	DP	3936 S		6/19/2007	7/12/2007
4VZDN1A908C	410543	2008	VT	DP	3933 S		6/20/2007	7/13/2007
4VZDN1A998C	410540	2008	VT	DP	3933 S		6/20/2007	7/13/2007
4VZBN1B938C	704034	2008	KS	DP	3623 S		6/21/2007	7/16/2007
4VZBR1D908C	603898	2008	DS	DP	4023 S		6/21/2007	7/13/2007
4VZBR1D928C	603893	2008	DS	DP	4023 S		6/25/2007	7/17/2007
4VZBT1D978C	603895	2008	DS	DP	4317 S		6/25/2007	7/16/2007
4VZBT1D998C	603891	2008	DS	DP	4354 S		6/26/2007	7/19/2007
4VZBR1D918C	603894	2008	DS	DP	4023 S		6/27/2007	7/18/2007
4VZDN1A958C	410546	2008	VT	DP	3942 S		6/27/2007	7/18/2007
4VZBT1D908C	603896	2008	DS	DP	4304 S		7/11/2007	7/23/2007
4VZBR1D908C	603892	2008	DS	DP	4023 S		7/12/2007	7/24/2007
4VZBT1D928C	603900	2008	DS	DP	4304 S		7/12/2007	7/23/2007
4VZDN1A938C	410548	2008	VT	DP	3933 S		7/12/2007	7/23/2007
4VZBN1B908C	704055	2008	KS	DP	3624 S		7/13/2007	7/25/2007
4VZBN1B918C	704056	2008	KS	DP	3624 S		7/13/2007	7/25/2007
4VZDN1A958C	410544	2008	VT	DP	3960 S		7/13/2007	7/24/2007
4VZDN1A938C	410549	2008	VT	DP	3942 S		7/16/2007	7/26/2007
4VZBT1D9X8C	603901	2008	DS	DP	4317 S		7/17/2007	7/26/2007
4VZBT1D988C	603902	2008	DS	DP	4304 S		7/17/2007	7/30/2007
4VZDN1A9X8C	410545	2008	VT	DP	3940 S		7/17/2007	7/26/2007
4VZDN1A918C	410551	2008	VT	DP	3936 S		7/17/2007	7/30/2007
4VZDN1A9X8C	410550	2008	VT	DP	3933 S		7/18/2007	7/30/2007
4VZBT1D928C	603904	2008	DS	DP	4354 S		7/19/2007	8/1/2007
4VZBT1D958C	603905	2008	DS	DP	4317 S		7/19/2007	7/31/2007
4VZDN1A918C	410554	2008	VT	DP	3933 S		7/19/2007	7/31/2007
4VZBR3D958C	460113	2008	AT	ME	4153 S		7/23/2007	8/1/2007
4VZBT1D948C	603908	2008	DS	DP	4354 S		7/23/2007	8/1/2007
4VZBR3D918C	460114	2008	AT	ME	4156 S		7/24/2007	8/2/2007
4VZBR3D938C	460115	2008	AT	ME	4156 S		7/24/2007	8/2/2007
4VZBT1D968C	603907	2008	DS	DP	4304 S		7/24/2007	8/2/2007
4VZDN1A958C	410559	2008	VT	DP	3936 S		7/24/2007	8/2/2007
4VZBT1D9X8C	603909	2008	DS	DP	4304 S		7/25/2007	8/6/2007
4VZDN1A928C	410553	2008	VT	DP	3936 S		7/25/2007	8/6/2007
4VZDN1A948C	410555	2008	VT	DP	3936 S		7/25/2007	8/7/2007
4VZBR1D978C	603899	2008	DS	DP	4023 S		7/26/2007	8/7/2007
4VZDN1A978C	410558	2008	VT	DP	3933 S		7/26/2007	8/8/2007
4VZBR1D9X8C	603919	2008	DS	DP	4035 S		7/30/2007	8/9/2007
4VZBR1D988C	603903	2008	DS	DP	4023 S		7/30/2007	8/8/2007
4VZBR3D968C	460112	2008	AT	ME	4153 S		7/30/2007	8/8/2007
4VZBT1D938C	603920	2008	DS	DP	4304 S		7/30/2007	8/8/2007
4VZBT1D988C	603914	2008	DS	DP	4320 S		7/30/2007	8/9/2007
4VZBT1D9X8C	603913	2008	DS	DP	4320 S		7/31/2007	8/9/2007
4VZBT1D918C	603889	2008	DS	DP	4317 S		7/31/2007	8/13/2007
4VZBT1D918C	603911	2008	DS	DP	4320 S		7/31/2007	8/13/2007
4VZDN1A908C	410557	2008	VT	DP	3936 S		7/31/2007	8/9/2007
4VZDN1A988C	410561	2008	VT	DP	3933 S		7/31/2007	8/9/2007
4VZDN1A908C	410560	2008	VT	DP	3933 S		8/1/2007	8/14/2007
4VZDN1A998C	410556	2008	VT	DP	3933 S		8/1/2007	8/13/2007
4VZBT1D938C	603930	2008	DS	DP	4354 S		8/2/2007	8/14/2007
4VZBT1D958C	603933	2008	DS	DP	4304 S		8/2/2007	8/14/2007
4VZBR3D968C	460117	2008	AT	ME	4257 S		8/6/2007	8/16/2007
4VZBT1D998C	603921	2008	DS	DP	4304 S		8/6/2007	8/15/2007
4VZBT1D908C	603916	2008	DS	DP	4317 S		8/7/2007	8/16/2007

VIN Number	Production Number	Model Year	Brand	Type	Floor Plan	Chassis Brand	Date In Production	Date Off Production
4VZBT1D948C	603917	2008	DS	DP	4355 S		8/7/2007	8/16/2007
4VZBR1D958C	603918	2008	DS	DP	4023 S		8/8/2007	8/20/2007
4VZBR1D988C	603923	2008	DS	DP	4023 S		8/8/2007	8/20/2007
4VZDN1A908C	410564	2008	VT	DP	3330 S		8/8/2007	8/20/2007
4VZBR1D938C	603936	2008	DS	DP	4023 S		8/9/2007	8/21/2007
4VZBT1D928C	603928	2008	DS	DP	4304 S		8/9/2007	8/21/2007
4VZDN1A948C	410567	2008	VT	DP	3933 S		8/9/2007	8/21/2007
4VZBN1B928C	704076	2008	KS	DP	3624 S		8/13/2007	8/22/2007
4VZBR1D998C	603938	2008	DS	DP	4023 S		8/13/2007	8/22/2007
4VZBT1D908C	603922	2008	DS	DP	4304 S		8/13/2007	8/22/2007
4VZBT1D928C	603935	2008	DS	DP	4304 S		8/13/2007	8/23/2007
4VZBT1D948C	603926	2008	DS	DP	4304 S		8/14/2007	8/23/2007
4VZDN1A968C	410565	2008	VT	DP	3933 S		8/14/2007	8/23/2007
4VZBT1D948C	603925	2008	DS	DP	4304 S		8/15/2007	8/27/2007
4VZDN1A9X8C	410562	2008	VT	DP	3936 S		8/15/2007	8/27/2007
4VZDN1A988C	410566	2008	VT	DP	3933 S		8/15/2007	8/27/2007
4VZBR1D928C	603945	2008	DS	DP	4023 S		8/16/2007	8/28/2007
4VZBT1D968C	603915	2008	DS	DP	4304 S		8/16/2007	8/28/2007
4VZBR1D948C	603939	2008	DS	DP	4023 S		8/20/2007	8/29/2007
4VZBT1D928C	603929	2008	DS	DP	4304 S		8/20/2007	8/29/2007
4VZDN1A9X8C	410569	2008	VT	DP	3332 S		8/20/2007	8/29/2007
4VZBT1D968C	603946	2008	DS	DP	4304 S		8/21/2007	8/30/2007
4VZBT1D978C	603934	2008	DS	DP	4317 S		8/21/2007	8/30/2007
4VZBT1D938C	603948	2008	DS	DP	4317 S		8/22/2007	9/4/2007
4VZBT1D958C	603947	2008	DS	DP	4354 S		8/22/2007	9/4/2007
4VZBR3D9X8C	460116	2008	AT	ME	4155 S		8/23/2007	9/4/2007
4VZBT1D958C	603924	2008	DS	DP	4304 S		8/23/2007	9/5/2007
4VZDN1A958C	410568	2008	VT	DP	3960 S		8/23/2007	9/5/2007
4VZBN1B958C	704081	2008	KS	DP	3624 S		8/27/2007	9/5/2007
4VZBR3B998C	460123	2008	AT	ME	3950 S		8/27/2007	9/5/2007
4VZBR3B998C	460122	2008	AT	ME	4154 S		8/27/2007	9/6/2007
4VZBR3B948C	460120	2008	AT	ME	4154 S		8/28/2007	9/6/2007
4VZDN1A998C	410574	2008	VT	DP	3960 S		8/28/2007	9/7/2007
4VZBT1D9X8C	603941	2008	DS	DP	4355 S		8/29/2007	9/10/2007
4VZDN1A978C	410573	2008	VT	DP	3933 S		8/29/2007	9/10/2007
4VZDN1A928C	410571	2008	VT	DP	3936 S		8/30/2007	9/11/2007
4VZBN1B988C	704093	2008	KS	DP	3624 S		9/4/2007	9/12/2007
4VZBR3B988C	460121	2008	AT	ME	4154 S		9/4/2007	9/12/2007
4VZBT1D978C	603940	2008	DS	DP	4317 S		9/5/2007	9/17/2007
4VZBT1D918C	603927	2008	DS	DP	4320 S		9/6/2007	9/18/2007
4VZBT1D938C	603954	2008	DS	DP	4304 S		9/7/2007	9/19/2007
4VZDN1A908C	410563	2008	VT	DP	3933 S		9/7/2007	9/18/2007
4VZDN1A998C	410575	2008	VT	DP	3942 S		9/7/2007	9/18/2007
4VZBT1D948C	603942	2008	DS	DP	4317 S		9/10/2007	9/19/2007
4VZDN1A908C	410576	2008	VT	DP	3942 S		9/11/2007	9/20/2007
4VZBR1D938C	603937	2008	DS	DP	4023 S		9/12/2007	9/24/2007
4VZBR1D958C	603931	2008	DS	DP	4024 S		9/13/2007	9/25/2007
4VZBT1D988C	603932	2008	DS	DP	4317 S		9/13/2007	9/25/2007
4VZBR3D948C	460118	2008	AT	ME	4257 S		9/17/2007	9/26/2007
4VZBT1D958C	603956	2008	DS	DP	4320 S		9/17/2007	9/26/2007
4VZBN1B978C	704108	2008	KS	DP	3624 S		9/18/2007	10/1/2007
4VZBT1D9X8C	603943	2008	DS	DP	4317 S		9/18/2007	9/27/2007
4VZDN1A948C	410582	2008	VT	DP	3942 S		9/18/2007	9/27/2007
4VZBR1D968C	603955	2008	DS	DP	4023 S		9/19/2007	10/1/2007
4VZDN1A928C	410581	2008	VT	DP	3933 S		9/19/2007	10/1/2007
4VZBR3D968C	460124	2008	AT	ME	4258 S		9/20/2007	10/2/2007
4VZBN1B998C	704098	2008	KS	DP	3623 S		9/24/2007	10/3/2007
4VZBT1D988C	603944	2008	DS	DP	4304 S		9/24/2007	10/3/2007
4VZDN1A968C	410583	2008	VT	DP	3933 S		9/24/2007	10/3/2007

VIN Number	Production Number	Model Year	Brand	Type	Floor Plan	Chassis Brand	Date In Production	Date Off Production
4VZDN1A938C	410584	2008	VT	DP	3933 S		9/25/2007	10/4/2007
4VZBR1D918C	603957	2008	DS	DP	4023 S		9/26/2007	10/9/2007
4VZBN1B948C	704119	2008	KS	DP	3624 S		9/27/2007	10/11/2007
4VZBR3D988C	460126	2008	AT	ME	4258 S		9/27/2007	10/9/2007
4VZBT1D978C	603960	2008	DS	DP	4320 S		10/1/2007	10/10/2007
4VZDN1A938C	410586	2008	VT	DP	3330 S		10/1/2007	10/10/2007
4VZBT1D908C	603961	2008	DS	DP	4320 S		10/2/2007	10/11/2007
4VZDN1A958C	410588	2008	VT	DP	3942 S		10/2/2007	10/11/2007
4VZBR1D958C	603958	2008	DS	DP	4023 S		10/3/2007	10/16/2007
4VZBR3D9X8C	460125	2008	AT	ME	4257 S		10/3/2007	10/15/2007
4VZBR3D9X8C	460131	2008	AT	ME	4257 S		10/3/2007	10/16/2007
4VZBR1D978C	603968	2008	DS	DP	4023 S		10/4/2007	10/16/2007
4VZDN1A978C	410587	2008	VT	DP	3933 S		10/4/2007	10/16/2007
4VZBR3D918C	460133	2008	AT	ME	4258 S		10/8/2007	10/22/2007
4VZBT1D9X8C	603967	2008	DS	DP	4304 S		10/8/2007	10/17/2007
4VZBT1D998C	603897	2008	DS	DP	4304 S		10/8/2007	10/18/2007
4VZBR1D988C	603971	2008	DS	DP	4024 S		10/9/2007	10/18/2007
4VZBR3B948C	460130	2008	AT	ME	3950 S		10/9/2007	10/18/2007
4VZBR3D968C	460119	2008	AT	ME	4257 S		10/9/2007	10/18/2007
4VZBT1D908C	603962	2008	DS	DP	4304 S		10/10/2007	10/22/2007
4VZDN1A998C	410589	2008	VT	DP	3933 S		10/10/2007	10/22/2007
4VZBR1D908C	603966	2008	DS	DP	4055 S		10/11/2007	10/25/2007
4VZBT1D948C	603964	2008	DS	DP	4317 S		10/11/2007	10/23/2007
4VZDN1A958C	410592	2008	VT	DP	3933 S		10/11/2007	10/23/2007
4VZBT1D928C	603983	2008	DS	DP	4330 S		10/15/2007	10/24/2007
4VZBR3D998C	460137	2008	AT	ME	4481 S		10/16/2007	10/29/2007
4VZBR1D928C	603970	2008	DS	DP	4023 S		10/17/2007	10/30/2007
4VZBR1D988C	603988	2008	DS	DP	4023 S		10/18/2007	11/1/2007
4VZBT1D928C	603972	2008	DS	DP	4317 S		10/22/2007	10/31/2007
4VZDN1A998C	410593	2008	VT	DP	3330 S		10/22/2007	10/31/2007
4VZDN1A998C	410596	2008	VT	DP	3933 S		10/22/2007	10/31/2007
4VZBR1D9X8C	603975	2008	DS	DP	4023 S		10/23/2007	11/1/2007
4VZDN1A908C	410599	2008	VT	DP	3933 S		10/23/2007	11/5/2007
4VZBT1D968C	603959	2008	DS	DP	4304 S		10/24/2007	11/5/2007
4VZBT1D918C	603976	2008	DS	DP	4304 S		10/25/2007	11/6/2007
4VZBT1D948C	603978	2008	DS	DP	4317 S		10/25/2007	11/7/2007
4VZBT1D978C	603969	2008	DS	DP	4317 S		10/29/2007	11/7/2007
4VZDN1A938C	410594	2008	VT	DP	3960 S		10/29/2007	11/8/2007
4VZDN1A988C	410591	2008	VT	DP	3960 S		10/29/2007	11/7/2007
4VZBT1D9X8C	603977	2008	DS	DP	4304 S		10/30/2007	11/8/2007
4VZDN1A9X8C	410601	2008	VT	DP	3330 S		10/30/2007	11/12/2007
4VZDN1A988C	410597	2008	VT	DP	3332 S		10/30/2007	11/8/2007
4VZBR1D918C	603986	2008	DS	DP	4023 S		10/31/2007	11/12/2007
4VZDN1A998C	410602	2008	VT	DP	3330 S		11/1/2007	11/13/2007
4VZBT1D938C	603998	2008	DS	DP	4304 S		11/5/2007	11/14/2007
4VZDN1A9X8C	410598	2008	VT	DP	3330 S		11/5/2007	11/14/2007
4VZBT1D958C	603990	2008	DS	DP	4330 S		11/6/2007	11/15/2007
4VZDN1A958C	410605	2008	VT	DP	3942 S		11/6/2007	11/19/2007
4VZBR3B968C	460141	2008	AT	ME	4154 S		11/7/2007	11/19/2007
4VZBR3D938C	460140	2008	AT	ME	4257 S		11/7/2007	11/15/2007
4VZBT1D918C	603992	2008	DS	DP	4304 S		11/7/2007	11/19/2007
4VZBT1D958C	603996	2008	DS	DP	4304 S		11/7/2007	11/19/2007
4VZBN1B968C	704144	2008	KS	DP	3623 S		11/8/2007	11/20/2007
4VZBT1D938C	603993	2008	DS	DP	4304 S		11/8/2007	11/20/2007
4VZBT1D918C	603989	2008	DS	DP	4320 S		11/12/2007	11/21/2007
4VZBT1D978C	603997	2008	DS	DP	4317 S		11/13/2007	11/21/2007
4VZBT1D998C	604001	2008	DS	DP	4317 S		11/13/2007	11/27/2007
4VZBR3D988C	460143	2008	AT	ME	4257 S		11/14/2007	11/27/2007
4VZBT1D938C	604000	2008	DS	DP	4304 S		11/14/2007	11/28/2007

VIN Number	Production Number	Model Year	Brand	Type	Floor Plan	Chassis Brand	Date In Production	Date Off Production
4VZDN1A978C		410608	2008 VT	DP	3933 S		11/14/2007	11/27/2007
4VZBR1D938C		604003	2008 DS	DP	4055 S		11/15/2007	11/29/2007
4VZBR3D948C		460147	2008 AT	ME	4481 S		11/15/2007	12/3/2007
4VZBT1D978C		604011	2008 DS	DP	4320 S		11/15/2007	11/29/2007
4VZBN1B938C		704172	2008 KS	DP	3623 S		11/19/2007	11/30/2007
4VZBR1D9X8C		604009	2008 DS	DP	4023 S		11/19/2007	11/30/2007
4VZBT1D998C		604014	2008 DS	DP	4304 S		11/19/2007	11/30/2007
4VZDN1A978C		410613	2008 VT	DP	3332 S		11/19/2007	11/30/2007
4VZBR3D908C		460146	2008 AT	ME	4257 S		11/20/2007	12/3/2007
4VZBT1D938C		604013	2008 DS	DP	4304 S		11/20/2007	12/3/2007
4VZBT1D958C		604012	2008 DS	DP	4330 S		11/20/2007	12/3/2007
4VZDN1A908C		410614	2008 VT	DP	3936 S		11/20/2007	12/3/2007
4VZBT1D918C		604010	2008 DS	DP	4317 S		11/21/2007	12/4/2007
4VZDN1A978C		410615	2008 VT	DP	3960 S		11/21/2007	12/4/2007
4VZBR1D918C		604007	2008 DS	DP	4055 S		11/27/2007	12/5/2007
4VZDN1A988C		410612	2008 VT	DP	3330 S		11/27/2007	12/5/2007
4VZDN1A998C		410611	2008 VT	DP	3332 S		11/28/2007	12/6/2007
4VZBR3D9X8C		460145	2008 AT	ME	4155 S		11/29/2007	12/6/2007
4VZBT1D958C		604002	2008 DS	DP	4304 S		11/29/2007	12/10/2007
4VZBT1D9X8C		604020	2008 DS	DP	4304 S		12/3/2007	12/12/2007
4VZBT1D998C		604005	2008 DS	DP	4317 S		12/3/2007	12/13/2007
4VZDN1A998C		410617	2008 VT	DP	3936 S		12/3/2007	12/12/2007
4VZBT1D968C		604021	2008 DS	DP	4330 S		12/4/2007	12/13/2007
4VZBT1D988C		604016	2008 DS	DP	4320 S		12/4/2007	12/17/2007
4VZBR1D938C		604017	2008 DS	DP	4023 S		12/5/2007	12/17/2007
4VZDN1A908C		410621	2008 VT	DP	3330 S		12/6/2007	12/19/2007
4VZDN1A908C		410616	2008 VT	DP	3936 S		12/6/2007	12/18/2007
4VZBN1B968C		704196	2008 KS	DP	3623 S		12/10/2007	12/19/2007
4VZBN1D9X8C		704199	2008 KS	DP	3916 S		12/10/2007	1/9/2008
4VZBR1D9X8C		604022	2008 DS	DP	4023 S		12/10/2007	12/19/2007
4VZBR1D988C		604027	2008 DS	DP	4024 S		12/10/2007	12/19/2007
4VZBR3D998C		460148	2008 AT	ME	4257 S		12/10/2007	1/10/2008
4VZBT1D9X8C		604024	2008 DS	DP	4304 S		12/10/2007	12/19/2007
4VZBT1D968C		604029	2008 DS	DP	4304 S		12/10/2007	1/9/2008
4VZBN1B988C		704195	2008 KS	DP	3624 S		12/11/2007	1/8/2008
4VZBT1D948C		604018	2008 DS	DP	4304 S		12/11/2007	1/8/2008
4VZBN1D918C		704198	2008 KS	DP	3916 S		12/13/2007	1/10/2008
4VZBT1D9X8C		604025	2008 DS	DP	4304 S		12/13/2007	1/14/2008
4VZBT1D988C		604030	2008 DS	DP	4304 S		12/13/2007	1/10/2008
4VZDN1A978C		410618	2008 VT	DP	3960 S		12/13/2007	1/10/2008
4VZBR1D948C		604026	2008 DS	DP	4023 S		12/17/2007	1/14/2008
4VZBT1D908C		604032	2008 DS	DP	4320 S		12/17/2007	1/15/2008
4VZDN1A908C		410623	2008 VT	DP	3933 S		12/17/2007	1/14/2008
4VZDN1A938C		410628	2008 VT	DP	3933 S		12/17/2007	1/15/2008
4VZBN1D998C		704202	2008 KS	DP	3943 S		12/18/2007	1/15/2008
4VZDN1A958C		410629	2008 VT	DP	3936 S		12/18/2007	1/15/2008
4VZDN1A9X8C		410619	2008 VT	DP	3936 S		12/19/2007	1/16/2008
4VZDN1A918C		410620	2008 VT	DP	3933 S		1/8/2008	1/17/2008
4VZBN1D988C		704207	2008 KS	DP	3910 S		1/9/2008	1/21/2008
4VZBT1D918C		604038	2008 DS	DP	4304 S		1/9/2008	1/21/2008
4VZDN1A908C		410624	2008 VT	DP	3933 S		1/10/2008	1/22/2008
4VZBN1B968C		704206	2008 KS	DP	3916 S		1/14/2008	1/23/2008
4VZBT1D918C		604044	2008 DS	DP	4320 S		1/14/2008	1/23/2008
4VZBT1D938C		604048	2008 DS	DP	4317 S		1/15/2008	1/28/2008
4VZDN1A928C		410625	2008 VT	DP	3332 S		1/15/2008	1/28/2008
4VZBR1D9X8C		604043	2008 DS	DP	4035 S		1/16/2008	1/30/2008
4VZBR1D988C		604049	2008 DS	DP	4023 S		1/16/2008	1/29/2008
4VZBT1D978C		604041	2008 DS	DP	4317 S		1/16/2008	1/29/2008
4VZDN1A998C		410626	2008 VT	DP	3330 S		1/16/2008	1/29/2008

VIN Number	Production Number	Model Year	Brand	Type	Floor Plan	Chassis Brand	Date In Production	Date Off Production
4VZBT1D958C	604040	2008	DS	DP	4320 S		1/17/2008	1/30/2008
4VZDN1A928C	410630	2008	VT	DP	3942 S		1/17/2008	1/30/2008
4VZBN1D918C	704191	2008	KS	DP	3910 S		1/21/2008	2/12/2008
4VZBT1D928C	604037	2008	DS	DP	4317 S		1/21/2008	2/11/2008
4VZBT1D998C	604042	2008	DS	DP	4304 S		1/21/2008	2/11/2008
4VZBT1D948C	604051	2008	DS	DP	4320 S		1/22/2008	2/13/2008
4VZBT1D968C	604050	2008	DS	DP	4304 S		1/22/2008	2/12/2008
4VZDN1A928C	410627	2008	VT	DP	3933 S		1/22/2008	2/12/2008
4VZDN1A948C	410636	2008	VT	DP	3945 S		1/22/2008	2/13/2008
4VZDN1A948C	410637	2008	VT	DP	3933 S		1/23/2008	2/14/2008
4VZBT1D978C	604052	2008	DS	DP	4355 S		1/28/2008	2/18/2008
4VZBT1D998C	604045	2008	DS	DP	4317 S		1/28/2008	2/18/2008
4VZDN1A968C	410638	2008	VT	DP	3933 S		1/28/2008	2/14/2008
4VZBR3D928C	460149	2008	AT	ME	4257 S		1/29/2008	2/19/2008
4VZBT1D908C	604057	2008	DS	DP	4304 S		1/29/2008	2/19/2008
4VZBT1D958C	604058	2008	DS	DP	4355 S		1/29/2008	2/19/2008
4VZBT1D978C	604059	2008	DS	DP	4304 S		1/29/2008	2/19/2008
4VZDN1A948C	410640	2008	VT	DP	3933 S		1/29/2008	2/19/2008
4VZBN1D918C	704214	2008	KS	DP	3910 S		1/30/2008	2/25/2008
4VZDN1A928C	410631	2008	VT	DP	3933 S		1/30/2008	2/20/2008
4VZDN1A928C	410632	2008	VT	DP	3330 S		2/11/2008	2/25/2008
4VZBR1D938C	604061	2008	DS	DP	4023 S		2/12/2008	2/27/2008
4VZBR3D948C	460144	2008	AT	ME	4470 S		2/12/2008	3/3/2008
4VZBR1D958C	604060	2008	DS	DP	4055 S		2/13/2008	3/3/2008
4VZDN1A948C	410642	2008	VT	DP	3332 S		2/13/2008	3/3/2008
4VZDN1A998C	410641	2008	VT	DP	3332 S		2/13/2008	2/27/2008
4VZBN1D918C	704216	2008	KS	DP	3916 S		2/14/2008	3/4/2008
4VZBN1D938C	704215	2008	KS	DP	3910 S		2/14/2008	3/3/2008
4VZDN1A958C	410643	2008	VT	DP	3330 S		2/14/2008	3/4/2008
4VZDN1A988C	410645	2008	VT	DP	3936 S		2/14/2008	3/4/2008
4VZBT1D998C	604072	2008	DS	DP	4304 S		2/18/2008	3/5/2008
4VZDN1A968C	410644	2008	VT	DP	3933 S		2/18/2008	3/4/2008
4VZBN1D938C	704219	2008	KS	DP	3910 S		2/19/2008	3/5/2008
4VZBT1D908C	604066	2008	DS	DP	4317 S		2/19/2008	3/5/2008
4VZBR1D958C	604065	2008	DS	DP	4023 S		2/20/2008	3/12/2008
4VZBR1D968C	604062	2008	DS	DP	4055 S		2/20/2008	3/12/2008
4VZBR1D998C	604064	2008	DS	DP	4055 S		2/20/2008	3/11/2008
4VZDN1A9X8C	410646	2008	VT	DP	3933 S		2/20/2008	3/11/2008
4VZBR1D928C	604075	2008	DS	DP	4055 S		2/25/2008	3/12/2008
4VZBR3B998C	460153	2008	AT	ME	4154 S		2/25/2008	3/12/2008
4VZBT1D958C	604078	2008	DS	DP	4304 S		2/25/2008	3/12/2008
4VZBR1D9X8C	604077	2008	DS	DP	4035 S		2/26/2008	3/13/2008
4VZBR1D948C	604076	2008	DS	DP	4055 S		2/26/2008	3/13/2008
4VZBN1D958C	704221	2008	KS	DP	3910 S		2/27/2008	3/17/2008
4VZBN1D978C	704220	2008	KS	DP	3910 S		2/27/2008	3/17/2008
4VZBT1D978C	604071	2008	DS	DP	4304 S		3/3/2008	3/18/2008
4VZDN1A908C	410647	2008	VT	DP	3933 S		3/3/2008	3/18/2008
4VZBT1D928C	604081	2008	DS	DP	4304 S		3/4/2008	3/19/2008
4VZBT1D928C	604063	2008	DS	DP	4317 S		3/4/2008	3/19/2008
4VZBT1D968C	603985	2008	DS	DP	4354 S		3/4/2008	3/19/2008
4VZBN1B968C	704225	2008	KS	DP	3623 S		3/5/2008	3/19/2008
4VZBR1D918C	604083	2008	DS	DP	4024 S		3/5/2008	3/31/2008
4VZDN1A928C	410649	2008	VT	DP	3942 S		3/5/2008	3/31/2008
4VZBN1D998C	704218	2008	KS	DP	3960 S		3/11/2008	4/1/2008
4VZBR3D968C	460156	2008	AT	ME	4470 S		3/11/2008	4/1/2008
4VZBT1D948C	604068	2008	DS	DP	4317 S		3/11/2008	4/1/2008
4VZBN1D968C	704224	2008	KS	DP	3910 S		3/12/2008	4/2/2008
4VZBR3D948C	460154	2008	AT	ME	4155 S		3/12/2008	4/2/2008
4VZBT1D908C	604067	2008	DS	DP	4317 S		3/12/2008	4/2/2008

VIN Number	Production Number	Model Year	Brand	Type	Floor Plan	Chassis Brand	Date In Production	Date Off Production
4VZBT1D958C	604079	2008	DS	DP	4317 S		3/12/2008	4/1/2008
4VZBR1D948C	604073	2008	DS	DP	4023 S		3/13/2008	4/7/2008
4VZBT1D948C	604082	2008	DS	DP	4317 S		3/13/2008	4/7/2008
4VZBR1D998C	604087	2008	DS	DP	4035 S		3/17/2008	4/7/2008
4VZBR3D948C	460158	2008	AT	ME	4470 S		3/17/2008	4/8/2008
4VZBR3D968C	460159	2008	AT	ME	4257 S		3/17/2008	4/7/2008
4VZBT1D958C	604085	2008	DS	DP	4304 S		3/17/2008	4/8/2008
4VZBT1D968C	604086	2008	DS	DP	4304 S		3/17/2008	4/8/2008
4VZBT1D988C	604084	2008	DS	DP	4304 S		3/17/2008	4/8/2008
4VZBN1D918C	704228	2008	KS	DP	3910 S		3/18/2008	4/8/2008
4VZBN1D988C	704227	2008	KS	DP	3910 S		3/18/2008	4/9/2008
4VZBR1D908C	604090	2008	DS	DP	4023 S		3/18/2008	4/9/2008
4VZBR3D968C	460157	2008	AT	ME	4470 S		3/18/2008	4/9/2008
4VZBN1D908C	704230	2008	KS	DP	3943 S		3/19/2008	4/10/2008
4VZBN1D998C	704231	2008	KS	DP	3943 S		3/19/2008	4/10/2008
4VZBR3D988C	460160	2008	AT	ME	4470 S		3/19/2008	4/10/2008
4VZDN1A908C	410650	2008	VT	DP	3332 S		3/19/2008	4/10/2008
4VZBN1D988C	704229	2008	KS	DP	3910 S		3/31/2008	4/14/2008
4VZBT1D908C	604093	2008	DS	DP	4330 S		3/31/2008	4/14/2008
4VZBT1D958C	604092	2008	DS	DP	4317 S		4/1/2008	4/15/2008
4VZBT1D998C	604091	2008	DS	DP	4354 S		4/1/2008	4/15/2008
4VZBN1B938C	704232	2008	KS	DP	3910 S		4/7/2008	4/17/2008
4VZBR1D998C	604019	2008	DS	DP	4035 S		12/6/2007	12/18/2007
4VZBR3D9X9C	460135	2009	AT	ME	4257 S		10/16/2007	10/25/2007
4VZBR3D929C	460134	2009	AT	ME	4156 S		10/18/2007	10/30/2007
4VZBR3D949C	460136	2009	AT	ME	4258 S		10/25/2007	11/6/2007
4VZBR3D989C	460138	2009	AT	ME	4481 S		10/25/2007	11/12/2007
4VZBR1D969C	603981	2009	DA	DP	4055 S		11/12/2007	11/28/2007
4VZDN1A949C	410607	2009	VT	DP	3432 S		11/13/2007	11/27/2007
4VZDN1A969C	410606	2009	VT	DP	3936 S		11/13/2007	11/28/2007
4VZBR1B9X9C	704189	2009	DS	DP	3623 S		12/19/2007	1/16/2008
4VZBR1D959C	704190	2009	DS	DP	4010 S		1/10/2008	1/23/2008
4VZBT1D968C	604056	2009	DA	DP	4331 S		2/14/2008	2/26/2008
4VZBR3D9X9C	460152	2009	AT	ME	4188 S		2/19/2008	3/11/2008
4VZDN1A929C	410673	2009	VT	DP	3961 S		4/2/2008	4/16/2008
4VZDN1A949C	410660	2009	VT	DP	3936 S		4/2/2008	4/16/2008
4VZBR1D939C	740010	2009	DA	DP	4055 S		4/7/2008	4/21/2008
4VZDN1A999C	410681	2009	VT	DP	3961 S		4/7/2008	4/17/2008
4VZBR1B959C	604096	2009	DS	DP	3625 S		4/8/2008	4/21/2008
4VZDN1A989C	410653	2009	VT	DP	3432 S		4/8/2008	4/21/2008
4VZDN1A999C	410669	2009	VT	DP	3942 S		4/8/2008	4/17/2008
4VZBR1D989C	604094	2009	DS	DP	4086 S		4/10/2008	4/23/2008
4VZBT1D979C	740009	2009	DA	DP	4304 S		4/10/2008	4/22/2008
4VZBT1D999C	740011	2009	DA	DP	4304 S		4/10/2008	4/30/2008
4VZDN1A909C	410655	2009	VT	DP	3933 S		4/10/2008	4/22/2008
4VZBT1D909C	740014	2009	DA	DP	4331 S		4/14/2008	4/23/2008
4VZDN1A979C	410694	2009	VT	DP	3961 S		4/14/2008	4/23/2008
4VZDN1A999C	410676	2009	VT	DP	3933 S		4/14/2008	4/24/2008
4VZBR1D9X9C	604120	2009	DS	DP	4010 S		4/15/2008	4/28/2008
4VZBT1D929C	740017	2009	DA	DP	4304 S		4/15/2008	4/24/2008
4VZBT1D929C	740018	2009	DA	DP	4331 S		4/15/2008	4/24/2008
4VZBT1D949C	740019	2009	DA	DP	4304 S		4/16/2008	4/28/2008
4VZDN1A909C	410674	2009	VT	DP	3961 S		4/16/2008	4/28/2008
4VZDN1A919C	410658	2009	VT	DP	3432 S		4/16/2008	4/29/2008
4VZBR1B979C	604103	2009	DS	DP	4086 S		4/17/2008	4/29/2008
4VZBT1D969C	740002	2009	DA	DP	4304 S		4/17/2008	4/29/2008
4VZDN1A919C	410652	2009	VT	DP	3933 S		4/17/2008	4/30/2008
4VZBR1D939C	604114	2009	DS	DP	4084 S		4/21/2008	4/30/2008
4VZDN1A949C	410656	2009	VT	DP	3933 S		4/21/2008	4/30/2008

VIN Number	Production Number	Model Year	Brand	Type	Floor Plan	Chassis Brand	Date In Production	Date Off Production
4VZDN1A969C	410671	2009	VT	DP	3961 S		4/21/2008	5/2/2008
4VZBR1D979C	604119	2009	DS	DP	4055 S		4/22/2008	5/5/2008
4VZDN1A9X9C	410678	2009	VT	DP	3961 S		4/22/2008	5/5/2008
4VZDN1A959C	410680	2009	VT	DP	3961 S		4/22/2008	5/5/2008
4VZBR1D909C	604110	2009	DS	DP	4055 S		4/23/2008	5/6/2008
4VZBR1D999C	604123	2009	DS	DP	4010 S		4/23/2008	5/5/2008
4VZDN1A919C	410682	2009	VT	DP	3432 S		4/23/2008	5/6/2008
4VZBR3D999C	460166	2009	AT	ME	4257 S		4/24/2008	5/6/2008
4VZBT1D959C	740022	2009	DA	DP	4320 S		4/24/2008	5/7/2008
4VZDN1A919C	410672	2009	VT	DP	3942 S		4/24/2008	5/7/2008
4VZBR1D959C	604107	2009	DS	DP	4055 S		4/28/2008	5/7/2008
4VZBR1D979C	604121	2009	DS	DP	4086 S		4/28/2008	5/12/2008
4VZBT1D979C	740005	2009	DA	DP	4331 S		4/28/2008	5/8/2008
4VZDN1A939C	410675	2009	VT	DP	3430 S		4/28/2008	5/8/2008
4VZBR1D959C	604124	2009	DS	DP	3623 S		4/29/2008	5/8/2008
4VZDN1A939C	410684	2009	VT	DP	3961 S		4/29/2008	5/12/2008
4VZBR1D999C	604117	2009	DS	DP	4086 S		4/30/2008	5/12/2008
4VZBT1D9X9C	740016	2009	DA	DP	4331 S		4/30/2008	5/13/2008
4VZDN1A909C	410693	2009	VT	DP	3933 S		4/30/2008	5/13/2008
4VZDN1A999C	410677	2009	VT	DP	3961 S		4/30/2008	5/12/2008
4VZBR1D969C	604113	2009	DS	DP	4055 S		5/2/2008	5/14/2008
4VZBR3D909C	460162	2009	AT	ME	4482 S		5/2/2008	5/15/2008
4VZBT1D919C	740023	2009	DA	DP	4304 S		5/2/2008	5/14/2008
4VZBT1D999C	740024	2009	DA	DP	4304 S		5/2/2008	5/14/2008
4VZDN1A959C	410657	2009	VT	DP	3933 S		5/2/2008	5/13/2008
4VZBR1B9X9C	604101	2009	DS	DP	4086 S		5/5/2008	5/19/2008
4VZBT1D909C	740004	2009	DA	DP	4317 S		5/5/2008	5/15/2008
4VZDN1A979C	410661	2009	VT	DP	3960 S		5/5/2008	5/14/2008
4VZBR1B959C	604105	2009	DS	DP	4086 S		5/6/2008	5/19/2008
4VZBT1D909C	740008	2009	DA	DP	4317 S		5/6/2008	5/15/2008
4VZDN1A909C	410679	2009	VT	DP	3936 S		5/6/2008	5/15/2008
4VZBT1D929C	740021	2009	DA	DP	4317 S		5/7/2008	5/20/2008
4VZDN1A929C	410698	2009	VT	DP	3942 S		5/7/2008	5/19/2008
4VZDN1A949C	410659	2009	VT	DP	3933 S		5/7/2008	5/20/2008
4VZBR1D9X9C	604125	2009	DS	DP	4086 S		5/8/2008	5/20/2008
4VZBR1D9X9C	604126	2009	DS	DP	4043 S		5/8/2008	5/21/2008
4VZBR1D989C	604129	2009	DS	DP	4043 S		5/8/2008	5/21/2008
4VZDN1A969C	410699	2009	VT	DP	3933 S		5/8/2008	5/20/2008
4VZDN1A989C	410701	2009	VT	DP	3942 S		5/8/2008	5/21/2008
4VZBR1D919C	740025	2009	DA	DP	4023 S		5/12/2008	5/21/2008
4VZBR1D929C	604116	2009	DS	DP	4055 S		5/12/2008	5/22/2008
4VZBT1D949C	740029	2009	DA	DP	4317 S		5/13/2008	5/27/2008
4VZBT1D979C	740006	2009	DA	DP	4331 S		5/13/2008	5/27/2008
4VZDN1A929C	410688	2009	VT	DP	3961 S		5/13/2008	5/27/2008
4VZDN1A949C	410690	2009	VT	DP	3961 S		5/13/2008	5/27/2008
4VZBR1B939C	604106	2009	DS	DP	4055 S		5/14/2008	5/28/2008
4VZDN1A909C	410697	2009	VT	DP	3933 S		5/14/2008	5/28/2008
4VZDN1A949C	410666	2009	VT	DP	3961 S		5/14/2008	5/28/2008
4VZDN1A969C	410695	2009	VT	DP	3936 S		5/14/2008	5/27/2008
4VZBR1D929C	604131	2009	DS	DP	4043 S		5/15/2008	5/29/2008
4VZBR3D999C	460165	2009	AT	ME	4484 S		5/15/2008	5/28/2008
4VZDN1A989C	410692	2009	VT	DP	3933 S		5/15/2008	5/28/2008
4VZBR1D9X9C	740007	2009	DA	DP	4085 S		5/19/2008	5/30/2008
4VZBR1D949C	604104	2009	DS	DP	4086 S		5/19/2008	5/29/2008
4VZDN1A929C	410691	2009	VT	DP	3942 S		5/19/2008	5/29/2008
4VZBR1D959C	604118	2009	DS	DP	4086 S		5/20/2008	6/9/2008
4VZBR1D989C	604115	2009	DS	DP	4084 S		5/20/2008	5/30/2008
4VZDN1A939C	410689	2009	VT	DP	3961 S		5/20/2008	5/30/2008
4VZDN1A959C	410685	2009	VT	DP	3936 S		5/20/2008	6/9/2008

VIN Number	Production Number	Model Year	Brand	Type	Floor Plan	Chassis Brand	Date In Production	Date Off Production
4VZBR1D979C	604128	2009	DS	DP	4016 S		5/21/2008	6/9/2008
4VZBR1D999C	604099	2009	DS	DP	4043 S		5/21/2008	6/10/2008
4VZBR3D979C	460168	2009	AT	ME	4484 S		5/21/2008	6/11/2008
4VZBT1D9X9C	740027	2009	DA	DP	4304 S		5/21/2008	6/9/2008
4VZBR1D959C	604133	2009	DS	DP	4010 S		5/22/2008	6/11/2008
4VZBT1D919C	740026	2009	DA	DP	4320 S		5/22/2008	6/10/2008
4VZDN1A979C	410665	2009	VT	DP	3942 S		5/22/2008	6/10/2008
4VZBR1D979C	604130	2009	DS	DP	4084 S		5/27/2008	6/12/2008
4VZBR3D949C	460170	2009	AT	ME	4257 S		5/27/2008	6/12/2008
4VZDN1A929C	410702	2009	VT	DP	3933 S		5/27/2008	6/11/2008
4VZBR1D919C	604132	2009	DS	DP	4043 S		5/28/2008	6/16/2008
4VZBT1D949C	740030	2009	DA	DP	4304 S		5/28/2008	6/12/2008
4VZDN1A959C	410703	2009	VT	DP	3432 S		5/28/2008	6/16/2008
4VZBR1D9X9C	604134	2009	DS	DP	4086 S		5/29/2008	6/17/2008
4VZDN1A969C	410704	2009	VT	DP	3961 S		5/29/2008	6/17/2008
4VZDN1A989C	410705	2009	VT	DP	3933 S		5/30/2008	6/18/2008
4VZBR1D929C	604135	2009	DS	DP	4043 S		6/9/2008	6/19/2008
4VZBR3D959C	460171	2009	AT	ME	4188 S		6/9/2008	7/16/2008
4VZDN1A949C	410706	2009	VT	DP	3960 S		6/9/2008	6/19/2008
4VZDN1A999C	410687	2009	VT	DP	3961 S		6/10/2008	7/16/2008
4VZBR1B949C	604136	2009	DS	DP	3623 S		6/11/2008	7/17/2008
4VZBR1D949C	604137	2009	DS	DP	4043 S		6/11/2008	7/21/2008
4VZBT1D969C	740031	2009	DA	DP	4331 S		6/11/2008	7/17/2008
4VZDN1A979C	410707	2009	VT	DP	3936 S		6/11/2008	7/17/2008
4VZBR1D929C	740033	2009	DA	DP	4085 S		6/12/2008	7/23/2008
4VZBT1D919C	740034	2009	DA	DP	4304 S		6/12/2008	7/22/2008
4VZBT1D999C	740032	2009	DA	DP	4331 S		6/12/2008	7/23/2008
4VZBR1D989C	604139	2009	DS	DP	4010 S		6/16/2008	7/24/2008
4VZDN1A919C	410708	2009	VT	DP	3936 S		6/16/2008	7/23/2008
4VZBR1B929C	604138	2009	DS	DP	3623 S		6/17/2008	7/30/2008
4VZBR1B999C	604141	2009	DS	DP	3625 S		6/18/2008	7/31/2008
4VZBT1B999C	410713	2009	VT	DP	4333 S		6/19/2008	8/11/2008
4VZBT1D909C	604143	2009	DS	DP	4386 S		6/19/2008	8/11/2008
4VZDN1A939C	410712	2009	VT	DP	3960 S		6/19/2008	8/5/2008
4VZBR1D9X9C	740036	2009	DA	DP	4023 S		7/15/2008	8/6/2008
4VZBR3D909C	460172	2009	AT	ME	4159 S		7/17/2008	8/7/2008
4VZBT1B9X9C	410710	2009	VT	DP	4333 S		7/21/2008	8/11/2008
4VZBR1D909C	604146	2009	DS	DP	4043 S		7/24/2008	8/12/2008
4VZBT1D929C	604144	2009	DS	DP	4333 S		7/29/2008	8/13/2008
4VZBR1D949C	740040	2009	DA	DP	4055 S		7/30/2008	8/25/2008
4VZBT1B959C	410715	2009	VT	DP	4333 S		7/30/2008	8/28/2008
4VZBR1D959C	604147	2009	DS	DP	4055 S		7/31/2008	8/27/2008
4VZBT1B949C	410719	2009	VT	DP	4333 S		7/31/2008	8/26/2008
4VZBT1B929C	410716	2009	VT	DP	4386 S		8/5/2008	8/28/2008
4VZBT1D939C	740041	2009	DA	DP	4304 S		8/5/2008	8/27/2008
4VZBT1D919C	740038	2009	DA	DP	4331 S		8/6/2008	9/2/2008
4VZBT1D989C	740044	2009	DA	DP	4304 S		8/6/2008	9/2/2008
4VZDN1A9X9C	410718	2009	VT	DP	3430 S		8/6/2008	9/3/2008
4VZBR1D939C	740039	2009	DA	DP	4023 S		8/7/2008	9/3/2008
4VZBR1D959C	740043	2009	DA	DP	4023 S		8/7/2008	9/4/2008
4VZBR1D999C	604154	2009	DS	DP	4055 S		8/7/2008	9/4/2008
4VZBR1D909C	604153	2009	DS	DP	4043 S		8/11/2008	9/16/2008
4VZBR1D979C	604149	2009	DS	DP	4055 S		8/12/2008	9/16/2008
4VZBR1D989C	604152	2009	DS	DP	4043 S		8/26/2008	9/22/2008
4VZBR1D949C	604155	2009	DS	DP	4010 S		8/27/2008	9/23/2008
4VZBR1D997C	604151	2009	DS	DP	4043 S		8/27/2008	9/23/2008
4VZBT1D939C	740047	2009	DA	DP	4304 S		9/2/2008	9/24/2008
4VZBT1D979C	604158	2009	DS	DP	4386 S		9/3/2008	9/25/2008
4VZBT1D999C	740048	2009	DA	DP	4331 S		9/3/2008	9/24/2008

VIN Number	Production Number	Model Year	Brand	Type	Floor Plan	Chassis Brand	Date In Production	Date Off Production
4VZBT1B929C	410720	2009	VT	DP	4333 S		9/15/2008	10/6/2008
4VZBR1D979C	604159	2009	DS	DP	4086 S		9/16/2008	10/7/2008
4VZBT1D979C	740049	2009	DA	DP	4317 S		9/16/2008	10/7/2008
4VZDN1A959C	410721	2009	VT	DP	3432 S		9/16/2008	10/8/2008
4VZBR3D979C	460173	2009	AT	ME	4159 S		9/17/2008	10/9/2008
4VZBT1B949C	410722	2009	VT	DP	4333 S		9/17/2008	10/8/2008
4VZBT1D919C	740050	2009	DA	DP	4320 S		9/17/2008	10/8/2008
4VZBT1D929C	740051	2009	DA	DP	4331 S		9/18/2008	10/9/2008
4VZBT1B959C	410724	2009	VT	DP	4333 S		9/22/2008	10/13/2008
4VZBT1D929C	604160	2009	DS	DP	4386 S		9/23/2008	10/14/2008
4VZBT1D949C	604161	2009	DS	DP	4386 S		9/23/2008	10/27/2008
4VZBT1B939C	410723	2009	VT	DP	4333 S		9/24/2008	10/15/2008
4VZBR1D909C	604162	2009	DS	DP	4010 S		10/6/2008	10/28/2008
4VZBT1B959C	410725	2009	VT	DP	4333 S		10/6/2008	10/27/2008
4VZBT1D9X9C	604163	2009	DS	DP	4333 S		10/7/2008	10/28/2008
4VZBT1D949C	740054	2009	DA	DP	4331 S		10/7/2008	10/29/2008
4VZBT1B979C	410726	2009	VT	DP	4333 S		10/8/2008	10/30/2008
4VZBT1D969C	740052	2009	DA	DP	4317 S		10/8/2008	10/29/2008
4VZBT1D969C	740053	2009	DA	DP	4331 S		10/8/2008	10/30/2008
4VZBT1D919C	604165	2009	DS	DP	4386 S		10/9/2008	10/30/2008
4VZBT1D999C	604166	2009	DS	DP	4333 S		10/9/2008	11/3/2008
4VZBR1D979C	604167	2009	DS	DP	3623 S		10/13/2008	11/4/2008
4VZBR1D979C	604164	2009	DS	DP	4084 S		10/14/2008	11/5/2008
4VZDN1A979C	410728	2009	VT	DP	3961 S		10/14/2008	11/5/2008
4VZBR3D919C	460174	2009	AT	ME	4159 S		10/15/2008	11/24/2008
4VZDN1A959C	410727	2009	VT	DP	3942 S		10/16/2008	11/25/2008
4VZBR1D949C	604169	2009	DS	DP	4055 S		10/27/2008	11/25/2008
4VZBT1D959C	604168	2009	DS	DP	4386 S		10/28/2008	11/26/2008
4VZBT1B969C	410730	2009	VT	DP	4333 S		10/29/2008	12/2/2008
4VZDN1A919C	410732	2009	VT	DP	3933 S		10/30/2008	12/3/2008
4VZDN1A949C	410729	2009	VT	DP	3432 S		10/30/2008	12/3/2008
4VZBR1B909C	604170	2009	DS	DP	3623 S		11/4/2008	12/4/2008
4VZBT1D929C	740055	2009	DA	DP	4331 S		11/5/2008	12/8/2008
4VZDN1A9X9C	410731	2009	VT	DP	3430 S		11/5/2008	12/5/2008
4VZDN1A979C	410733	2009	VT	DP	3432 S		11/24/2008	12/9/2008
4VZBR1B919C	604171	2009	DS	DP	4010 S		11/25/2008	12/10/2008
4VZBR1D989C	604172	2009	DS	DP	4010 S		2/2/2009	2/16/2009
4VZBT1D999C	740056	2009	DA	DP	4317 S		2/3/2009	2/18/2009
4VZBR3B979C	460176	2009	AT	ME	4154 S		2/5/2009	2/19/2009
4VZBR1D979C	604173	2009	DS	DP	4010 S		2/9/2009	3/2/2009
4VZBR1D909C	604174	2009	DS	DP	3623 S		2/19/2009	3/11/2009
4VZDN1A929C	410738	2009	VT	DP	3430 S		3/2/2009	3/12/2009
4VZBR3B969C	460177	2009	AT	ME	4154 S		3/3/2009	3/13/2009
4VZBT1B929C	410741	2009	VT	DP	4333 S		3/10/2009	3/19/2009
4VZBT1D909C	604178	2009	DS	DP	4386 S		3/11/2009	3/19/2009
4VZBT1B929C	410740	2009	VT	DP	4333 S		3/12/2009	3/20/2009
4VZBR3B989C	460179	2009	AT	ME	4154 S		6/1/2009	6/10/2009
4VZBR3B929C	460180	2009	AT	ME	4154 S		6/3/2009	6/11/2009
4VZBR3D999C	460181	2009	AT	ME	4159 S		6/3/2009	6/12/2009
4VZBR3D959C	460182	2009	AT	ME	4482 S		6/4/2009	6/15/2009
4VZBR3D929C	460183	2009	AT	ME	4159 S		8/13/2009	8/26/2009
4VZBR3D9X9C	460185	2009	AT	ME	4188 S		9/15/2009	9/28/2009
4VZBR3D939C	460184	2009	AT	ME	4257 S		10/7/2009	10/21/2009
4VZBR3D999C	460178	2009	AT	ME	4257 S		4/14/2009	4/24/2009
4VZBT1D999C	604175	2010	DS	DP	4386 S		3/2/2009	3/12/2009
4VZBR1B959C	604179	2010	DS	DP	4010 S		4/6/2009	4/16/2009
4VZBT1D929C	740059	2010	DA	DP	4304 S		4/7/2009	4/20/2009
4VZBT1D949C	604180	2010	DS	DP	4333 S		4/8/2009	4/22/2009
4VZBR1D949C	740061	2010	DA	DP	4085 S		4/13/2009	4/24/2009

VIN Number	Production Number	Model Year	Brand	Type	Floor Plan	Chassis Brand	Date In Production	Date Off Production
4VZVU1E94EC	530183	2014	KG	DB	4593 S		2/20/2013	2/28/2013
4VZVU1E97EC	530192	2014	KG	DB	4593 S		3/18/2013	3/26/2013
4VZVU1E90EC	530197	2014	KG	DB	4584 S		4/12/2013	4/22/2013
4VZVU1E99EC	530196	2014	KG	DB	4593 S		4/18/2013	4/26/2013
4VZVU1E91EC	530198	2014	KG	DB	4593 S		4/23/2013	5/1/2013
4VZVU1E99EC	530202	2014	KG	DB	4584 S		6/5/2013	6/14/2013
4VZVU1E90EC	530203	2014	KG	DB	4593 S		7/9/2013	7/17/2013
4VZVU1E94EC	530201	2014	KG	DB	4593 S		7/17/2013	7/25/2013
4VZVU1E94EC	530200	2014	KG	DB	4593 S		7/29/2013	8/6/2013
4VZVU1E91EC	530206	2014	KG	DB	4584 S		8/6/2013	8/14/2013
4VZVU1E96EC	530208	2014	KG	DB	4593 S		8/22/2013	8/30/2013
4VZVU1E9XEC	530209	2014	KG	DB	4584 S		9/3/2013	9/12/2013
4VZVU1E9XEC	530210	2014	KG	DB	4593 S		9/10/2013	9/19/2013
4VZVU1E90EC	530222	2014	KG	DB	4584 S		9/24/2013	10/2/2013
4VZVU1E99EC	530212	2014	KG	DB	4593 S		9/26/2013	10/7/2013
4VZVU1E90EC	530213	2014	KG	DB	4593 S		9/30/2013	10/8/2013
4VZVU1E96EC	530217	2014	KG	DB	4584 S		10/2/2013	10/10/2013
4VZVU1E9XEC	530215	2014	KG	DB	4593 S		10/14/2013	10/23/2013
4VZVU1E91EC	530225	2014	KG	DB	4584 S		10/15/2013	10/24/2013
4VZVU1E93EC	530214	2014	KG	DB	4593 S		10/18/2013	10/29/2013
4VZVU1E99EC	530216	2014	KG	DB	4593 S		10/22/2013	10/30/2013
4VZVU1E90EC	530219	2014	KG	DB	4584 S		10/24/2013	11/4/2013
4VZVU1E92EC	530228	2014	KG	DB	4593 S		10/30/2013	11/7/2013
4VZVU1E96EC	530223	2014	KG	DB	4593 S		11/1/2013	11/12/2013
4VZVU1E92EC	530227	2014	KG	DB	4584 S		11/5/2013	11/13/2013
4VZVU1E98EC	530226	2014	KG	DB	4584 S		11/7/2013	11/15/2013
4VZVU1E92EC	530218	2014	KG	DB	4584 S		11/13/2013	11/21/2013
4VZVU1E9XEC	530221	2014	KG	DB	4584 S		11/15/2013	11/25/2013
4VZVU1E92EC	530229	2014	KG	DB	4593 S		11/21/2013	12/3/2013
4VZVU1E94EC	530230	2014	KG	DB	4593 S		11/22/2013	12/5/2013
4VZVU1E91EC	530232	2014	KG	DB	4593 S		11/26/2013	12/9/2013
4VZVU1E95EC	530220	2014	KG	DB	4584 S		12/2/2013	12/10/2013
4VZVU1E97EC	530233	2014	KG	DB	4593 S		12/9/2013	12/17/2013
4VZVU1E99EC	530234	2014	KG	DB	4593 S		12/16/2013	1/13/2014
4VZVU1E99EC	530231	2014	KG	DB	4599 S		12/19/2013	1/16/2014
4VZVU1E95EC	530236	2014	KG	DB	4599 S		1/15/2014	1/23/2014
4VZVU1E96EC	530237	2014	KG	DB	4599 S		1/17/2014	1/27/2014
4VZVU1E98EC	530242	2014	KG	DB	4593 S		1/23/2014	2/4/2014
4VZVU1E9XEC	530239	2014	KG	DB	4584 S		1/29/2014	2/7/2014
4VZVU1E96EC	530243	2014	KG	DB	4593 S		1/31/2014	2/11/2014
4VZVU1E98EC	530240	2014	KG	DB	4593 S		2/5/2014	2/14/2014
4VZVU1E91EC	530241	2014	KG	DB	4584 S		2/7/2014	2/18/2014
4VZVU1E92EC	530238	2014	KG	DB	4584 S		2/13/2014	2/24/2014
4VZVU1E94EC	530249	2014	KG	DB	4593 S		3/5/2014	3/17/2014
4VZVU1E91EC	530248	2014	KG	DB	4584 S		3/17/2014	3/25/2014
4VZVU1E96EC	530244	2014	KG	DB	4593 S		3/19/2014	3/27/2014
4VZVU1E93EC	530254	2014	KG	DB	4593 S		3/31/2014	4/9/2014
4VZVU1E90EC	530253	2014	KG	DB	4593 S		4/4/2014	4/14/2014
4VZVU1E92EC	530250	2014	KG	DB	4593 S		4/8/2014	4/16/2014
4VZVU1E95EC	530251	2014	KG	DB	4584 S		4/9/2014	4/17/2014
4VZVU1E98EC	530252	2014	KG	DB	4593 S		4/11/2014	4/23/2014
4VZVU1E95EC	530245	2014	KG	DB	4599 S		4/16/2014	4/28/2014
4VZVU1E98EC	530257	2014	KG	DB	4593 S		4/30/2014	5/8/2014
4VZVU1E9XEC	530258	2014	KG	DB	4593 S		5/15/2014	5/28/2014
4VZVU1E93FC	530247	2015	KG	DB	4553 S		3/7/2014	3/18/2014
4VZVV1E92FC	801082	2015	EX	DP	4503 S		3/11/2014	3/20/2014
4VZVU1E95FC	530255	2015	KG	DB	4503 S		3/26/2014	4/3/2014
4VZVU1E98FC	801096	2015	EX	DP	4553 S		5/6/2014	5/14/2014
4VZVU1E94FC	530259	2015	KG	DB	4553 S		5/8/2014	5/19/2014

VIN Number	Production Number	Model Year	Brand	Type	Floor Plan	Chassis Brand	Date In Production	Date Off Production
4VZVU1E9XFC	530260	2015	KG	DB	4503 S		5/9/2014	5/21/2014
4VZVU1E91EC	530261	2015	KG	DB	4593 S		5/20/2014	6/3/2014
4VZVU1E93EC	530263	2015	KG	DB	4593 S		5/20/2014	6/4/2014
4VZVU1E95EC	530264	2015	KG	DB	4593 S		5/21/2014	6/5/2014
4VZVU1E97EC	530265	2015	KG	DB	4584 S		5/22/2014	6/9/2014
4VZVU1E94FC	530262	2015	KG	DB	4553 S		6/9/2014	6/18/2014
4VZVU1E96FC	801099	2015	EX	DP	4553 S		6/11/2014	6/19/2014
4VZVU1E98FC	801100	2015	EX	DP	4503 S		6/12/2014	6/23/2014
4VZVU1E99EC	530266	2015	KG	DB	4599 S		6/17/2014	6/25/2014
4VZVU1E90EC	530267	2015	KG	DB	4584 S		6/19/2014	7/7/2014
4VZVU1E96FC	801102	2015	EX	DP	4503 S		6/20/2014	7/9/2014
4VZVU1E96FC	530268	2015	KG	DB	4553 S		6/24/2014	7/10/2014
4VZVU1E98FC	530271	2015	KG	DB	4503 S		7/7/2014	7/15/2014
4VZVU1E91FC	530273	2015	KG	DB	4553 S		7/10/2014	7/18/2014
4VZVU1E98FC	530270	2015	KG	DB	4553 S		7/14/2014	7/22/2014
4VZVU1E97FC	801113	2015	EX	DP	4553 S		7/18/2014	7/29/2014
4VZVU1E90FC	801106	2015	EX	DP	4553 S		7/22/2014	7/31/2014
4VZVU1E9XFC	530269	2015	KG	DB	4503 S		7/25/2014	8/5/2014
4VZVU1E92FC	801116	2015	EX	DP	4553 S		7/29/2014	8/7/2014
4VZVU1E94FC	530274	2015	KG	DB	4503 S		7/31/2014	8/11/2014
4VZVU1E93FC	530277	2015	KG	DB	4553 S		8/4/2014	8/12/2014
4VZVU1E95FC	530276	2015	KG	DB	4553 S		8/8/2014	8/19/2014
4VZVU1E99FC	801105	2015	EX	DP	4503 S		8/14/2014	8/25/2014
4VZVU1E95FC	801121	2015	EX	DP	4553 S		8/18/2014	8/27/2014
4VZVU1E9XFC	530272	2015	KG	DB	4553 S		8/20/2014	8/28/2014
4VZVU1E92FC	530275	2015	KG	DB	4503 S		8/21/2014	9/2/2014
4VZVU1E9XFC	801108	2015	EX	DP	4503 S		8/22/2014	9/3/2014
4VZVU1E94FC	801118	2015	EX	DP	4553 S		8/29/2014	9/10/2014
4VZVU1E9XFC	801111	2015	EX	DP	4553 S		9/2/2014	9/11/2014
4VZVU1E95FC	801120	2015	EX	DP	4553 S		9/4/2014	9/12/2014
4VZVU1E98FC	801112	2015	EX	DP	4553 S		9/5/2014	9/15/2014
4VZVU1E97FC	530279	2015	KG	DB	4553 S		9/9/2014	9/17/2014
4VZVU1E99FC	801123	2015	EX	DP	4503 S		9/11/2014	9/19/2014
4VZVU1E91FC	530280	2015	KG	DB	4553 S		9/16/2014	9/24/2014
4VZVU1E9XFC	801124	2015	EX	DP	4553 S		9/17/2014	9/26/2014
4VZVU1E91FC	530282	2015	KG	DB	4553 S		9/18/2014	9/29/2014
4VZVU1E97FC	530287	2015	KG	DB	4599 S		9/19/2014	9/30/2014
4VZVU1E98FC	801129	2015	EX	DP	4503 S		9/22/2014	10/1/2014
4VZVU1E96FC	530283	2015	KG	DB	4553 S		9/24/2014	10/2/2014
4VZVU1E98FC	530284	2015	KG	DB	4553 S		9/25/2014	10/6/2014
4VZVU1E9XFC	801127	2015	EX	DP	4503 S		9/29/2014	10/8/2014
4VZVU1E91FC	530286	2015	KG	DB	4553 S		10/1/2014	10/10/2014
4VZVU1E96FC	801132	2015	EX	DP	4503 S		10/3/2014	10/13/2014
4VZVU1E98FC	530285	2015	KG	DB	4503 S		10/6/2014	10/15/2014
4VZVU1E98FC	801134	2015	EX	DP	4553 S		10/7/2014	10/15/2014
4VZVU1E91FC	801133	2015	EX	DP	4503 S		10/9/2014	10/17/2014
4VZVU1E98FC	801125	2015	EX	DP	4553 S		10/10/2014	10/20/2014
4VZVU1E96FC	530288	2015	KG	DB	4553 S		10/14/2014	10/22/2014
4VZVU1E9XFC	801135	2015	EX	DP	4553 S		10/16/2014	10/24/2014
4VZVU1E99FC	530289	2015	KG	DB	4553 S		10/21/2014	10/29/2014
4VZVU1E90FC	530290	2015	KG	DB	4503 S		10/22/2014	10/30/2014
4VZVU1E91FC	801128	2015	EX	DP	4553 S		10/23/2014	11/3/2014
4VZVU1E95FC	801141	2015	EX	DP	4553 S		10/28/2014	11/5/2014
4VZVU1E95FC	530291	2015	KG	DB	4553 S		10/29/2014	11/6/2014
4VZVU1E93FC	801140	2015	EX	DP	4553 S		10/30/2014	11/10/2014
4VZVU1E98FC	530292	2015	KG	DB	4553 S		10/30/2014	11/7/2014
4VZVU1E95FC	801144	2015	EX	DP	4553 S		11/3/2014	11/11/2014
4VZVU1E94FC	530293	2015	KG	DB	4553 S		11/4/2014	11/12/2014
4VZVU1E93FC	801147	2015	EX	DP	4553 S		11/5/2014	11/14/2014

VIN Number	Production Number	Model Year	Brand	Type	Floor Plan	Chassis Brand	Date In Production	Date Off Production
4VZVU1E91FC	801148	2015	EX	DP	4553 S		11/6/2014	11/17/2014
4VZVU1E98FC	801126	2015	EX	DP	4501 S		11/10/2014	11/18/2014
4VZVU1E9XFC	530297	2015	KG	DB	4553 S		11/11/2014	11/20/2014
4VZVU1E97FC	801145	2015	EX	DP	4553 S		11/13/2014	11/21/2014
4VZVU1E96FC	801131	2015	EX	DP	4553 S		11/14/2014	11/24/2014
4VZVU1E98FC	801136	2015	EX	DP	4503 S		11/24/2014	12/4/2014
4VZVU1E9XFC	801139	2015	EX	DP	4553 S		11/25/2014	12/5/2014
4VZVU1E93FC	801146	2015	EX	DP	4553 S		11/26/2014	12/8/2014
4VZVU1E91FC	530295	2015	KG	DB	4553 S		12/4/2014	12/15/2014
4VZVU1E9XFC	530298	2015	KG	DB	4599 S		12/8/2014	12/16/2014
4VZVU1E95FC	801138	2015	EX	DP	4553 S		12/10/2014	12/18/2014
4VZVU1E91FC	530300	2015	KG	DB	4553 S		12/12/2014	1/8/2015
4VZVU1E99FC	530301	2015	KG	DB	4553 S		12/15/2014	1/9/2015
4VZVU1E97FC	801149	2015	EX	DP	4553 S		12/16/2014	1/12/2015
4VZVU1E99FC	801143	2015	EX	DP	4553 S		1/20/2015	1/28/2015
4VZVU1E90FC	530302	2015	KG	DB	4553 S		1/27/2015	2/5/2015
4VZVU1E97FC	530299	2015	KG	DB	4553 S		2/4/2015	2/11/2015
4VZVU1E99FC	530304	2015	KG	DB	4553 S		2/11/2015	2/18/2015
4VZVU1E90FC	530305	2015	KG	DB	4553 S		2/13/2015	2/20/2015
4VZVU1E95FC	530311	2015	KG	DB	4553 S		2/24/2015	3/4/2015
4VZVU1E99FC	530306	2015	KG	DB	4553 S		2/24/2015	3/4/2015
4VZVU1E90FC	801159	2015	EX	DP	4553 S		2/26/2015	3/6/2015
4VZVU1E97FC	530307	2015	KG	DB	4553 S		2/27/2015	3/9/2015
4VZVU1E93FC	530309	2015	KG	DB	4599 S		3/3/2015	3/12/2015
4VZVU1E91FC	530303	2015	KG	DB	4553 S		3/6/2015	3/16/2015
4VZVU1E95FC	801155	2015	EX	DP	4553 S		3/13/2015	3/23/2015
4VZVU1E92FC	530310	2015	KG	DB	4553 S		3/31/2015	4/9/2015
4VZVU1E98FC	530314	2015	KG	DB	4599 S		4/8/2015	4/17/2015
4VZVU1E94FC	530320	2015	KG	DB	4553 S		4/10/2015	4/21/2015
4VZVU1E95FC	801156	2015	EX	DP	4553 S		4/21/2015	4/29/2015
4VZVU1E97FC	530317	2015	KG	DB	4599 S		4/29/2015	5/7/2015
4VZVU1E99FC	530321	2015	KG	DB	4553 S		5/5/2015	5/13/2015
4VZVU1E90FC	801164	2015	EX	DP	4599 S		5/15/2015	5/27/2015

Canadian Units

VIN Number	Production Number	Model Year	Brand	Type	Floor Plan	Chassis Brand	Date In Production	Date Off Production
4VZBT1D998C	603951	2008	DS	DP	4304 S		9/10/2007	9/20/2007
4VZBN1D9X8C	704203	2008	KS	DP	3910 S		1/10/2008	1/22/2008
4VZBN1D968C	704223	2008	KS	DP	3910 S		3/11/2008	4/1/2008
4VZBN1D978C	704222	2008	KS	DP	3910 S		3/13/2008	4/2/2008
4VZBN1D988C	704227	2008	KS	DP	3910 S		3/18/2008	4/9/2008
4VZBN1D998C	704226	2008	KS	DP	3916 S		3/31/2008	4/14/2008
4VZBR1B939C	604148	2009	DS	DP	4043 S		7/30/2008	8/25/2008
4VZBR1D9X9C	740042	2009	DA	DP	4023 S		7/31/2008	8/27/2008
4VZBR1D909C	740028	2009	DA	DP	4085 S		5/22/2008	6/11/2008
4VZBR1D918C	603863	2008	DS	DP	4023 S		4/25/2007	5/4/2007
4VZBR1D918C	604033	2008	DS	DP	4023 S		1/8/2008	1/17/2008
4VZBR1D928C	603949	2008	DS	DP	4023 S		8/28/2007	9/7/2007
4VZBR1D928C	604047	2008	DS	DP	4023 S		2/11/2008	2/26/2008
4VZBR1D929C	740013	2009	DA	DP	4085 S		5/12/2008	5/22/2008
4VZBR1D939C	740045	2009	DA	DP	4023 S		8/11/2008	9/15/2008
4VZBR1D948C	603861	2008	DS	DP	4023 S		5/4/2007	5/14/2007
4VZBR1D948C	604031	2008	DS	DP	4023 S		12/17/2007	1/14/2008
4VZBR1D948C	604111	2008	DS	DP	4035 S		4/9/2008	4/21/2008
4VZBR1D949C	604100	2009	DS	DP	4086 S		5/6/2008	5/15/2008
4VZBR1D949C	740037	2009	DA	DP	4085 S		7/29/2008	8/13/2008
4VZBR1D959C	604108	2009	DS	DP	4086 S		4/22/2008	5/2/2008
4VZBR1D959C	604157	2009	DS	DP	4086 S		9/15/2008	10/6/2008
4VZBR1D968C	604034	2008	DS	DP	4023 S		12/18/2007	1/16/2008

VIN Number	Production Number	Model Year	Brand	Type	Floor Plan	Chassis Brand	Date In Production	Date Off Production
4VZBR1D969C	604112	2009	DS	DP	4010 S		4/2/2008	4/17/2008
4VZBR1D969C	604122	2009	DS	DP	4086 S		5/19/2008	5/30/2008
4VZBR1D969C	604156	2009	DS	DP	4086 S		9/4/2008	9/25/2008
4VZBR1D978C	603886	2008	DS	DP	4023 S		6/5/2007	6/14/2007
4VZBR1D978C	604046	2008	DS	DP	4023 S		2/11/2008	2/25/2008
4VZBR1D988C	603953	2008	DS	DP	4023 S		8/30/2007	9/11/2007
4VZBR1D988C	603963	2008	DS	DP	4023 S		9/27/2007	10/9/2007
4VZBR1D988C	603971	2008	DS	DP	4024 S		10/9/2007	10/18/2007
4VZBR1D988C	604036	2008	DS	DP	4035 S		12/19/2007	1/16/2008
4VZBR1D989C	604109	2009	DS	DP	4055 S		5/7/2008	5/20/2008
4VZBR1D998C	603888	2008	DS	DP	4023 S		6/12/2007	6/21/2007
4VZBR3B998C	460128	2008	AT	ME	4154 S		10/1/2007	10/10/2007
4VZBR3D978C	460150	2008	AT	ME	4257 S		1/10/2008	1/22/2008
4VZBT1B919C	410714	2009	VT	DP	4333 S		7/29/2008	8/26/2008
4VZBT1B999C	410734	2009	VT	DP	4333 S		2/3/2009	2/17/2009
4VZBT1D9X8C	603883	2008	DS	DP	4304 S		6/6/2007	6/19/2007
4VZBT1D9X8C	603910	2008	DS	DP	4304 S		7/25/2007	8/6/2007
4VZBT1D9X9C	740046	2009	DA	DP	4304 S		8/28/2008	9/23/2008
4VZBT1D908C	603874	2008	DS	DP	4304 S		5/14/2007	5/23/2007
4VZBT1D908C	604032	2008	DS	DP	4320 S		12/17/2007	1/15/2008
4VZBT1D909C	740057	2009	DA	DP	4304 S		2/10/2009	3/3/2009
4VZBT1D918C	603987	2008	DS	DP	4320 S		10/24/2007	11/5/2007
4VZBT1D918C	604074	2008	DS	DP	4317 S		2/27/2008	3/17/2008
4VZBT1D928C	603952	2008	DS	DP	4304 S		9/5/2007	9/13/2007
4VZBT1D928C	603979	2008	DS	DP	4304 S		10/15/2007	10/24/2007
4VZBT1D929C	740001	2009	DA	DP	4304 S		4/23/2008	5/6/2008
4VZBT1D938C	603984	2008	DS	DP	4320 S		10/22/2007	11/1/2007
4VZBT1D938C	604070	2008	DS	DP	4304 S		3/3/2008	3/18/2008
4VZBT1D948C	603855	2008	DS	DP	4320 S		4/23/2007	5/1/2007
4VZBT1D948C	603950	2008	DS	DP	4304 S		8/28/2007	9/6/2007
4VZBT1D948C	604080	2008	DS	DP	4320 S		3/12/2008	4/2/2008
4VZBT1D958C	603982	2008	DS	DP	4320 S		10/22/2007	10/31/2007
4VZBT1D959C	740035	2009	DA	DP	4304 S		6/17/2008	7/29/2008
4VZBT1D959C	604145	2009	DS	DP	4386 S		7/30/2008	8/25/2008
4VZBT1D968C	603854	2008	DS	DP	4320 S		4/24/2007	5/3/2007
4VZBT1D969C	603980	2009	DA	DP	4330 S		11/21/2007	12/4/2007
4VZBT1D978C	604088	2008	DS	DP	4304 S		3/18/2008	4/9/2008
4VZBT1D979C	740020	2009	DA	DP	4331 S		4/29/2008	5/12/2008
4VZBT1D988C	603852	2008	DS	DP	4304 S		4/17/2007	4/26/2007
4VZBT1D988C	603906	2008	DS	DP	4320 S		7/16/2007	7/26/2007
4VZBT1D988C	603881	2008	DS	DP	4320 S		6/6/2007	6/18/2007
4VZBT1D988C	603912	2008	DS	DP	4354 S		8/7/2007	8/20/2007
4VZBT1D998C	603951	2008	DS	DP	4304 S		9/10/2007	9/20/2007
4VZBT1D998C	604035	2008	DS	DP	4304 S		1/23/2008	2/14/2008
4VZBT1D998C	604089	2008	DS	DP	4304 S		3/18/2008	4/9/2008
4VZBT1D998C	604095	2008	DS	DP	4304 S		3/31/2008	4/14/2008
4VZBT1D999C	740012	2009	DA	DP	4304 S		5/15/2008	5/29/2008
4VZBT1D999C	740060	2010	DA	DP	4331 S		4/8/2009	4/21/2009
4VZDN1A9X9C	410696	2009	VT	DP	3933 S		5/15/2008	5/29/2008
4VZDN1A908C	410648	2008	VT	DP	3332 S		2/26/2008	3/13/2008
4VZDN1A909C	410686	2009	VT	DP	3430 S		5/6/2008	5/19/2008
4VZDN1A918C	410580	2008	VT	DP	3332 S		9/20/2007	10/2/2007
4VZDN1A928C	410651	2008	VT	DP	3330 S		3/18/2008	4/9/2008
4VZDN1A929C	410683	2009	VT	DP	3933 S		5/12/2008	5/22/2008
4VZDN1A948C	410585	2008	VT	DP	3332 S		9/27/2007	10/8/2007
4VZDN1A958C	410521	2008	VT	DP	3332 S		6/5/2007	6/18/2007
4VZDN1A959C	410664	2009	VT	DP	3961 S		4/22/2008	5/2/2008
4VZDN1A968C	410622	2008	VT	DP	3936 S		12/10/2007	1/8/2008
4VZDN1A978C	410578	2008	VT	DP	3933 S		9/6/2007	9/17/2007

VIN Number	Production Number	Model Year	Brand	Type	Floor Plan	Chassis Brand	Date In Production	Date Off Production
4VZDN1A978C	410595	2008	VT	DP	3332 S		10/18/2007	10/30/2007
4VZDN1A979C	410736	2009	VT	DP	3933 S		3/9/2009	3/17/2009
4VZDN1A998C	410577	2008	VT	DP	3330 S		9/17/2007	9/26/2007
4VZDN1A999C	410663	2009	VT	DP	3933 S		5/5/2008	5/15/2008
4VZDN1A999C	410737	2009	VT	DP	3432 S		3/11/2009	3/20/2009
4VZVU1E9XEC	530246	2014	KG	DB	4593 S		3/3/2014	3/11/2014
4VZVU1E90EC	530211	2014	KG	DB	4593 S		9/18/2013	9/26/2013
4VZVU1E90FC	530278	2015	KG	DB	4503 S		8/26/2014	9/5/2014
4VZVU1E90FC	530294	2015	KG	DB	4503 S		3/23/2015	3/31/2015
4VZVU1E91EC	530256	2014	KG	DB	4593 S		4/23/2014	5/1/2014
4VZVU1E93EC	530207	2014	KG	DB	4593 S		8/14/2013	8/22/2013
4VZVU1E93FC	801115	2015	EX	DP	4503 S		8/11/2014	8/20/2014
4VZVU1E93FC	530316	2015	KG	DB	4553 S		3/18/2015	3/26/2015
4VZVU1E94EC	530224	2014	KG	DB	4593 S		10/8/2013	10/17/2013
4VZVU1E96EC	530205	2014	KG	DB	4593 S		8/12/2013	8/20/2013
4VZVU1E96FC	530296	2015	KG	DB	4503 S		12/1/2014	12/9/2014
4VZVU1E97FC	801157	2015	EX	DP	4503 S		4/6/2015	4/14/2015
4VZVU1E98EC	530204	2014	KG	DB	4593 S		7/24/2013	8/1/2013
4VZVU1E98FC	801103	2015	EX	DP	4553 S		6/25/2014	7/14/2014