

**May 5, 2016**

03226 Version 2

**Popping or Clicking When Turning the Steering Wheel**

(Supersedes 16-024, dated March 5, 2016, to revise the information highlighted in yellow)

**AFFECTED VEHICLES**

Year	Model	Trim	VIN Range
2015-16	Odyssey	ALL	ALL

**REVISION SUMMARY**

Under AFFECTED VEHICLES, the 2016 Odyssey was changed to ALL.

**SYMPTOM**

There is a popping or clicking when turning the steering wheel.

**POSSIBLE CAUSES**

There is contamination inside the steering column bearings.

**CORRECTIVE ACTION**

Replace the steering column.

**PARTS INFORMATION****LX Models Only**

Part Name	Part Number	Quantity
Hex Bolt (6 mm X 23 mm)	90134-S6A-A80	2
Steering Column Assembly	53200-TK8-A01	1
Break Head Bolt	35102-SV4-003	2

**ALL Except LX Models**

Part Name	Part Number	Quantity
Hex Bolt (6 mm X 23 mm)	90134-S6A-A80	2
Steering Column Assembly	53200-TK8-A11	1
Column Holder Set	06352-TK4-A01	1

**CUSTOMER INFORMATION:** The information in this bulletin is intended for use only by skilled technicians who have the proper tools, equipment, and training to correctly and safely maintain your vehicle. These procedures should not be attempted by "do-it-yourselfers," and you should not assume this bulletin applies to your vehicle, or that your vehicle has the condition described. To determine whether this information applies, contact an authorized Honda automobile dealer.

## WARRANTY CLAIM INFORMATION

The normal warranty applies.

Operation Number	Description	Flat Rate Time	Defect Code	Symptom Code	Template ID	Failed Part Number
510100	Replace the steering column. (LX Models)	1.5 hrs	03214	04201	16-024A	53200-TK8-A01
510100	Replace the steering column. (All except LX models)	1.5 hrs	03214	04201	16-024B	53200-TK8-A11

Skill Level: Repair Technician

## REPAIR PROCEDURE

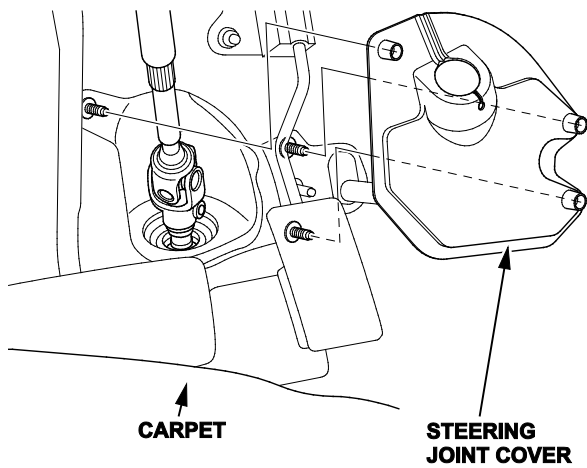
NOTE: This procedure is in an outline form that you can also use as a checklist for the repair. If you need more details on this procedure, refer to the service information.

1. With the engine at idle, set the steering wheel /front wheels in the straight ahead position, then turn the ignition to OFF and remove the key.
2. Stick a piece of masking tape on top of the steering wheel hub and another on the steering column cover, then draw a line in the middle of both pieces of tape. This helps to align the steering wheel when you reinstall it later.



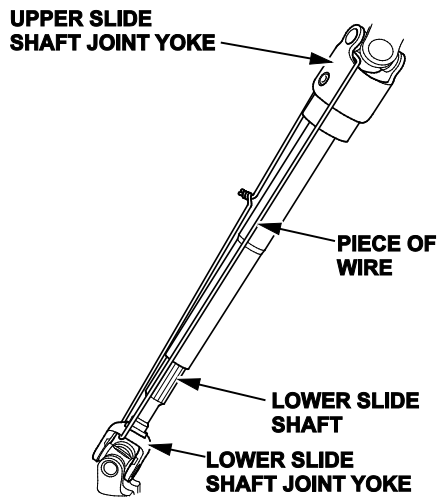
3. Do the battery terminal disconnection procedure.
4. Tilt the steering column all the way up and move it all the way in, then tighten the lock lever.
5. Remove the driver's airbag and the steering wheel.
6. Remove the steering column covers.
7. Remove the driver's heater panel.

8. Pull back the carpet.



9. Remove the steering joint cover.

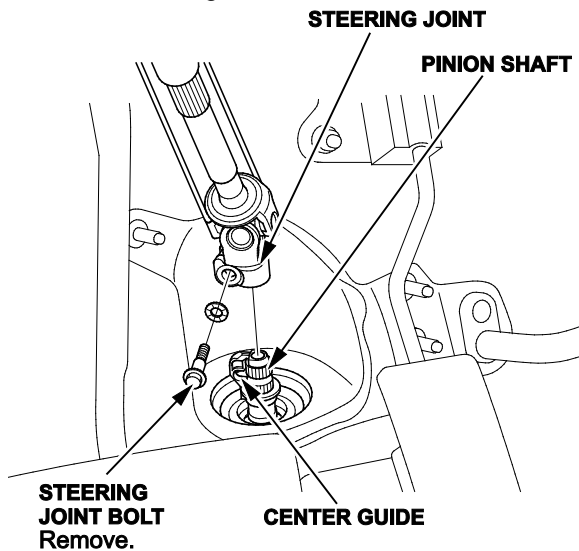
10. Hold the lower slide shaft on the column with a piece of wire between the joint yokes of the lower and upper slide shafts to prevent the lower slide shaft from pulling out.



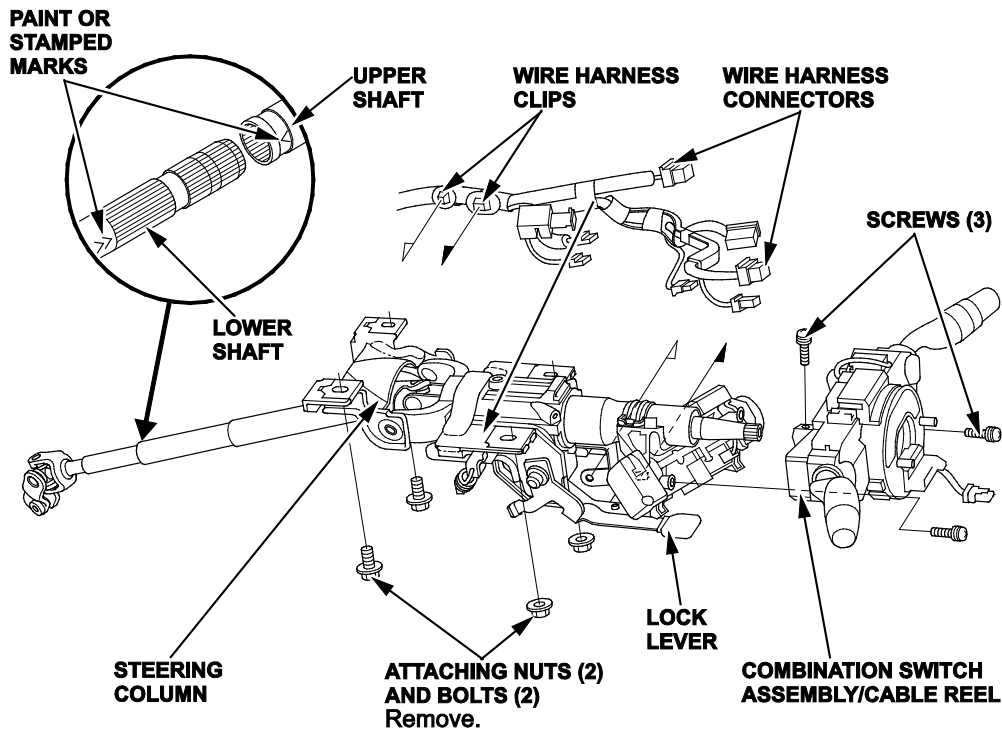
11. Remove the steering joint bolt, then disconnect the steering joint from the pinion shaft.

NOTE:

- If the center guide is in place and has not moved, leave it in place.
- If the center guide has come off, discard it.



12. Disconnect the wire harness connectors from the combination switch assembly/cable reel.



13. Remove the combination switch assembly/cable reel from the steering column shaft by removing the screws.

NOTE: Make sure not to turn the cable reel while the steering wheel is off.

14. Disconnect the connectors from the ignition switch and release the wire harness clips from the steering column.

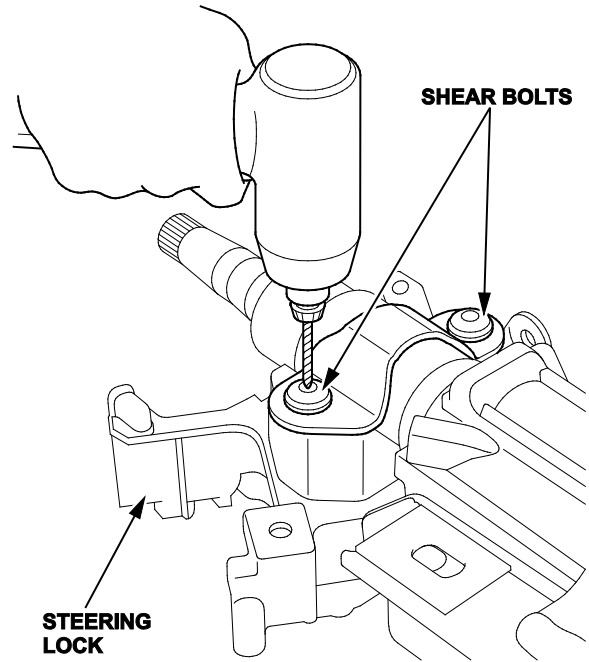
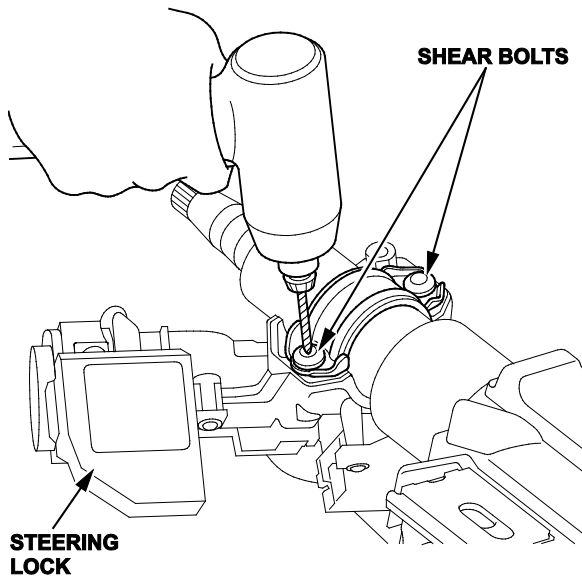
15. Make sure that the lock lever is in the locked position. Remove the steering column by removing the attaching nuts and bolts and carefully guide it out of the dashboard. If the lower slide shaft is removed, slip it into the upper shaft by aligning the paint or stamped marks.

NOTE: Do not release the lock lever until the steering column is installed. If the lock lever is released beforehand, adjust the steering column after installation.

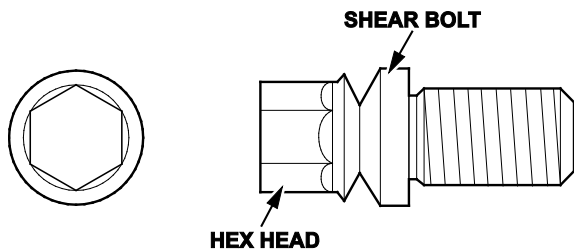
16. Center-punch both of the shear bolts and drill off the heads with a 5.0 mm (0.197 in) drill bit. Be careful not to damage the steering lock when removing the shear bolts.

**STEERING LOCK REPLACEMENT  
(WITH KEYLESS ACCESS)**

**STEERING LOCK REPLACEMENT**



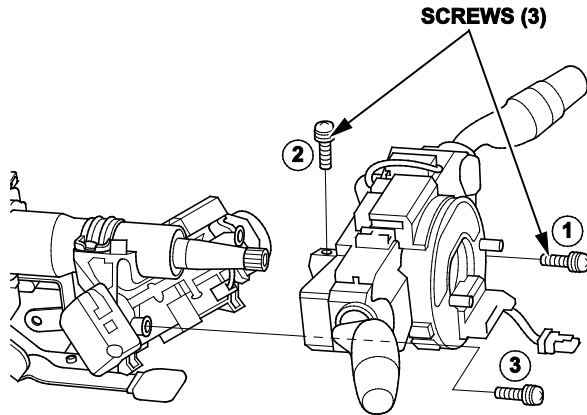
17. Remove the shear bolts from the steering lock, then remove the steering lock.  
18. Install the steering lock.  
19. *LX Only:* Install the steering lock without the key inserted.  
20. Loosely tighten the new shear bolts.  
21. *LX only:* Insert the ignition key and make sure the steering wheel lock works properly and that the ignition key turns freely.  
22. Tighten the shear bolts until the hex heads twist off.



23. Carefully guide the new steering column into place, then install the attaching nuts and bolts and torque them to **16 N·m (12 lb-ft)**.

24. Install the combination switch assembly/cable reel on the steering column shaft, reconnect the wire connectors, then tighten the three screws in the order shown.

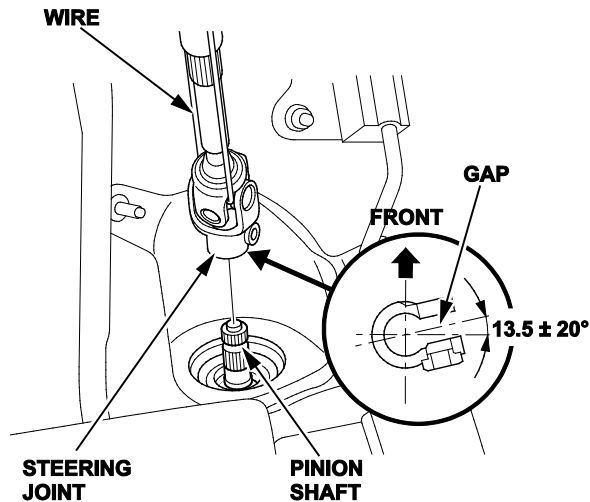
NOTE: If the cable reel was turned while the combination switch assembly/cable reel was off, center the cable reel. Turn it clockwise until it stops, then turn it counterclockwise about three turns until the arrow on the cable reel label points straight up.



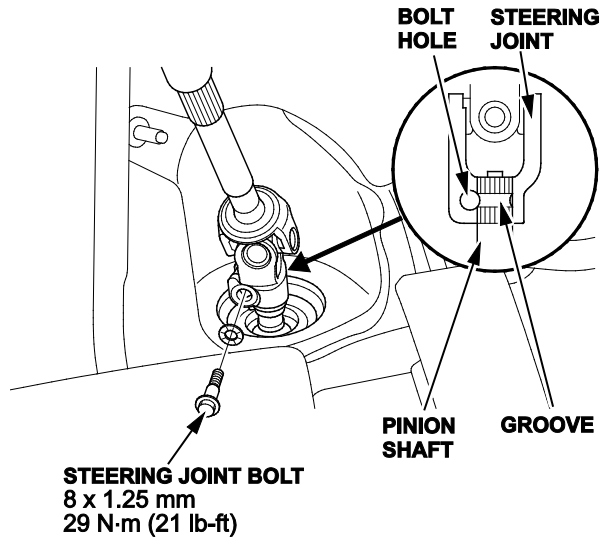
25. Check that the steering rack is still centered within its stroke with the front wheels straight ahead. Cut the wire, then slip the lower end of the steering joint onto the pinion shaft.

NOTE:

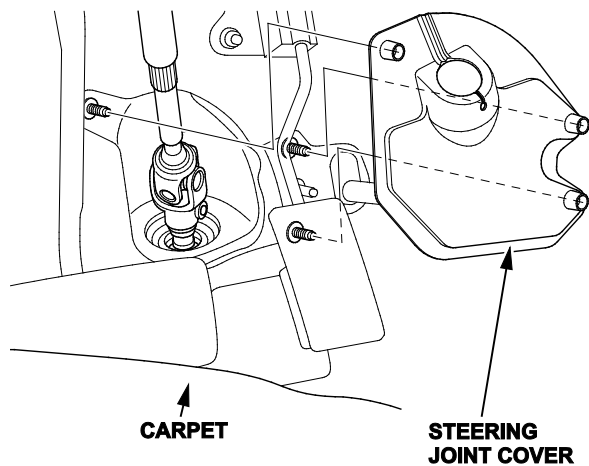
- If the center guide is in place on the pinion shaft, install the steering joint by aligning it with the center guide.
- If there is no center guide on the pinion shaft, position the steering joint by aligning its gap within the angle shown below..



26. Align the bolt hole on the steering joint with the groove around the pinion shaft, then loosely install the steering joint bolt. Be sure the joint bolt is secure in the pinion shaft groove.



27. Pull on the steering joint to make sure the steering joint is fully seated, then tighten the steering joint bolt to the specified torque.
28. Install the steering joint cover.



29. Set the carpet in place.
30. Install the driver's heater panel.

31. Install the steering column covers.
32. Install the steering wheel and the driver's airbag, aligning the marks you made on the steering wheel and the steering column cover.



33. Do the battery terminal reconnection procedure and check these items:
  - Turn the ignition to ON, then check that the SRS indicator comes on for about 6 seconds and goes off.
  - Make sure the horn and turn signal switches work properly.
  - Make sure the steering wheel switches work properly.
34. After installation, check these items:
  - Check the steering wheel spoke angle. If the spoke angles to the right and left are not equal (steering wheel and rack are not centered), correct the engagement of the joint/pinion shaft splines.
  - Set the steering column to the center tilt position, then do the front toe inspection.

END