

May 27, 2016

04055 Version 1

Audio Unit Display Blinks or Flickers

AFFECTED VEHICLES

Year	Model	Trim	VIN Range
2016	Civic	EX, EX-T, EX-L	ALL

SYMPTOM

The audio unit display blinks or flickers.

POSSIBLE CAUSES

The audio unit display has an internal hardware problem.

CORRECTIVE ACTION

Replace the audio unit display.

PARTS INFORMATION

Part Name	Part Number	Quantity
Display Assembly	39710-TBA-305	1

WARRANTY CLAIM INFORMATION

The normal warranty applies.

Operation Number	Description	Flat Rate Time	Defect Code	Symptom Code	Template ID	Failed Part Number
0101A7	Replace the audio unit display.	0.6 hr	03217	03214	16-036A	39710-TBA-305

Skill Level: Repair Technician

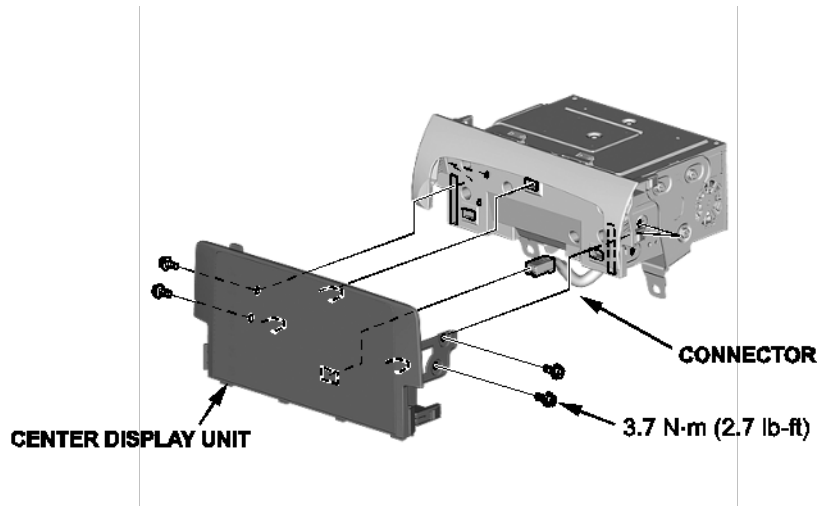
CUSTOMER INFORMATION: The information in this bulletin is intended for use only by skilled technicians who have the proper tools, equipment, and training to correctly and safely maintain your vehicle. These procedures should not be attempted by "do-it-yourselfers," and you should not assume this bulletin applies to your vehicle, or that your vehicle has the condition described. To determine whether this information applies, contact an authorized Honda automobile dealer.

REPAIR PROCEDURE

NOTE: This procedure is in an outline form, for more information on how to remove these items, refer to the service information

- With Navigation: Remove the audio-navigation unit assembly.
- Without navigation: Remove the audio unit assembly.

1. Disconnect the connector.



2. Remove the center display unit.

NOTE: Mark the old display screen with a marker so you don't confuse it with the new one.

3. Install the new center display unit in the reverse order of removal and torque the display screen to **3.7 N·m (2.7 lb-ft)**.
4. Install the audio navigation/audio unit assembly.

END