

REFERENCE:	Nova Bus Manuals
SECTION:	07: Steering Mechanism
RS N°:	MQR 7621-732
EFFECTIVE IN PROD.:	L931 (2015NO)

APPLICATION DEADLINE:NA

SUBJECT:	Pitman arm
JUSTIFICATION:	Introducing new hardware and installation procedure for Pitman arm.

LEVEL	DESCRIPTION	DIRECT CHARGES		TIME
		LABOUR	MATERIAL	
1	Installation of new hardware with reference to below mentioned procedure.	Client	Client	20 min
2	-	-	-	-

MATERIAL

QTY	PART N°	REV.	DESCRIPTION	REPLACES PART N°
LEVEL 1				
1	N81124	-	BOLT	-
1	N81126	-	REGULAR NUT	-
1	N81127	-	JAM NUT	-
1	N81125	-	THICK WASHER	-
1	N30343	-	THIN WASHER	-
LEVEL 2				
-	-	-	-	-

Materials will be available within 28 days. To order, please contact Prevost Parts by phone at 1-800-771-6682, by fax at 1-888-668-2555 or by email at prevostparts.commandes@volvo.com. Specify document number, quantity of parts required and shipping address.

DISPOSAL OF PARTS

REMOVED PARTS ARE:	DISCARDED *	RETAINED	* Dispose of the unused parts and the defective parts in accordance with local environmental standards in effect.
	Yes	-	

REVISION HISTORY

REV.	DATE	CHANGE DESCRIPTION	WRITTEN BY
NR	2015OC30	Initial release	Kumaraswamy K S
R1	2015NO04	Revised the client list	Kumaraswamy K S
R2	2015NO05	Revised the client list	Kumaraswamy K S
R3	2016MR28	Mentioned part number of Red loctite in the procedure line1.8.	Kumaraswamy K S

APPROVED BY:

PAGE 1 OF 13

CLIENT	ORDER	ROAD NUMBER		VIN (2NVVY/4RKY...)		QTY
		FROM	TO	FROM	TO	
Academy Bus - New Jersey	L231	—	—	L82U563000166	L82U163000178	13
Academy Bus - New Jersey	L333	—	—	L82U273000207	L82U473000211	5
Academy Bus - New Jersey	L339	—	—	L82U483000047	L82U883000052	5
Academy Bus - New Jersey	L340	—	—	L82U493000003	L82U193000007	5
Airdrie Transit - Alberta	L664	—	—	L82U2B3000507	L82U2B3000507	1
Airdrie Transit - Alberta	L759	—	—	L82U0D3000928	L82U0D3000928	1
Ames Transportation Agency - Iowa	L707	660	661	S92U5C4500159	S92U1C4500160	2
Arrow Coach Line - Arkansas	L252	—	—	L82U963000235	L82U963000235	1
Arrow Coach Line - Arkansas	L494	—	—	L82U793000397	L82U793000397	1
Austin - CMTA - Texas	L635	5001	5001	S92U7C4500163	S92U7C4500163	1
Austin - CMTA - Texas	L636	5002	5022	S92U1D4500306	S92U0D4500328	21
Austin - CMTA - Texas	L704	5051	5068	L82J7E4500471	L82J2E4500488	18
Barrie - Ontario	L878	1501	1504	L82JXF3001691	L82J6F3001719	4
BC Transit - BCT - British Columbia	L215	9201	9210	L82U663000001	L82U763000010	10
BC Transit - BCT - British Columbia	L236	9211	9231	L82U063000141	L82U663000161	21
BC Transit - BCT - British Columbia	L342	9232	9251	L82U173000294	L82U173000313	20
BC Transit - BCT - British Columbia	L343	9252	9267	L82U973000463	L82U073000478	16
BC Transit - BCT - British Columbia	L414	9268	9289	L82U983000299	L82U783000320	22
BC Transit - BCT - British Columbia	L417	9290	9297	L82U983000321	L82U183000328	8
BC Transit - BCT - British Columbia	L430	9301	9318	L82U483000503	L82U483000520	18
BC Transit - BCT - British Columbia	L458	9298	9300	L82U683000521	L82UX83000523	3
BC Transit - BCT - British Columbia	L463	9319	9333	L82U093000273	L82U093000287	15
BC Transit - BCT - British Columbia	L481	9334	9353	L82U794000004	L82U094000023	20
BC Transit - BCT - British Columbia	L484	9370	9403	L82U494000090	L82U494000123	34
BC Transit - BCT - British Columbia	L486	9354	9369	L82U294000024	L82U494000039	16
BC Transit - BCT - British Columbia	L487	9404	9433	L82U094000149	L82U794000178	30
BC Transit - BCT - British Columbia	L604	9434	9434	L82U5C3000597	L82U5C3000597	1
BC Transit - BCT - British Columbia	L735	9435	9440	L82U4C3000848	L82U8C3000853	6
BC Transit - BCT - British Columbia	L736	9441	9446	L82U8D3000854	L82U7D3000859	6
BC Transit - BCT - British Columbia	L858	9447	9481	L82JXE3001401	L82J5F3001436	35
BC Transit - BCT - British Columbia	L891	—	—	L82J5F3001565	L82J2F3001569	5
Belleville Transit - Ontario	L176	—	—	L82U563000233	L82U563000233	1
Belleville Transit - Ontario	L179	179-1	179-1	L82UX53000033	L82UX53000033	1
Belleville Transit - Ontario	L180	180-1	180-1	L82U753000118	L82U753000118	1
Belleville Transit - Ontario	L354	354-1	354-1	L82U983000089	L82U983000089	1
Belleville Transit - Ontario	L357	357-1	357-1	L82U783000091	L82U783000091	1
Belleville Transit - Ontario	L542	—	—	L82UXA3000088	L82U8A3000090	3
Belleville Transit - Ontario	L598	—	—	L82U5A3000581	L82U7A3000582	2
Belleville Transit - Ontario	L655	—	—	L82U3B3000385	L82U3B3000385	1
Belleville Transit - Ontario	L702	—	—	L82U4D3000706	L82U4D3000706	1
Belleville Transit - Ontario (L168)	L129	—	—	L82S633000199	L82S933000200	2
Bow Valley Transit - Alberta	L347	1	4	L82W083000175	L82W683000178	4
Bow Valley Transit - Alberta	L712	5	6	L82U6C3000804	L82U8C3000805	2
Brampton - Ontario	L209	0601	0621	L82U253000222	L82U853000242	20

CLIENT	ORDER	ROAD NUMBER		VIN (2NVY/4RKY...)		QTY
		FROM	TO	FROM	TO	
Brampton - Ontario	L238	0609	0609	L82U663000094	L82U663000094	1
Brampton - Ontario	L253	0622	0632	L82U463000269	L82U763000279	11
Brampton - Ontario	L284	0633	0638	L82U363000280	L82U263000285	6
Brampton - Ontario	L348	0701	0715	L82U273000479	L82U773000493	15
Brampton - Ontario	L349	0801	0810	L82U283000094	L82UX83000103	10
Brampton - Ontario	L424	0811	0827	L82U783000463	L82U083000479	17
Brampton - Ontario	L425	0901	0916	L82U993000045	L82U593000060	16
Brampton - Ontario	L501	0917	0926	L82U893000506	L82U893000523	10
Brampton - Ontario	L789	—	—	L82J4E3001216	L82J1E3001223	8
Brampton - Ontario	L816	—	—	L82J3E3001224	L82J9E3001230	7
Brampton - Ontario	L864	1501	1510	L82JXF3001500	L82J6F3001509	10
Brampton - Ontario	L865	1511	1519	L82JXF3001514	L82J9F3001522	9
Brantford - Ontario	L150	—	—	L82U643000173	L82U843000174	2
Brantford - Ontario	L175	—	—	L82U363000232	L82U363000232	1
Brantford - Ontario	L256	—	—	L82U363000229	L82U363000229	1
Brantford - Ontario	L257	—	—	L82UX63000230	L82UX63000230	1
Brantford - Ontario	L258	—	—	L82U163000231	L82U163000231	1
Brantford - Ontario	L351	9071	9075	L82U883000018	L82UX83000022	5
Brantford - Ontario	L422	9081	9084	L82U183000524	L82U783000527	4
Brantford - Ontario	L547	10101	10105	L82X6A3000082	L82X3A3000086	5
Brantford - Ontario	L663	10121	10121	L82U1B3000532	L82U1B3000532	1
Brantford - Ontario	L718	10123	10125	L82U5C3000826	L82U9C3000828	3
Brantford - Ontario	L775	10131	10132	L82U1D3000999	L82U2D3001000	2
Brantford NIS	L928	—	—	L82J7F3001793	L82J0F3001795	3
Burlington - Ontario	L887	7017-15	7025-15	L82J7F3001681	L82J8F3001723	9
Calgary Transit - Alberta	L601	8101	8114	L82U5A4000099	L82U4A4000112	14
Calgary Transit - Alberta	L607	8115	8130	L82UXA3000477	L82U6A3000492	16
Calgary Transit - Alberta	L615	8131	8158	L82U1B4000019	L82U4B4000046	28
Calgary Transit - Alberta	L624	—	—	L82U4B4000077	L82U6B4000078	2
Calgary Transit - Alberta	L637	8161	8180	L82U7B3000356	L82U2B3000376	20
Calgary Transit - Alberta	L709	8181	8200	L82UXC3000806	L82U3C3000825	20
Calgary Transit - Alberta	L733	8201	8202	L82AXD3000926	L82A1D3000927	2
Chicago Transit Authority - CTA - Illinois	L773	—	—	L82JXD4500429	L82J6D4500430	2
Chicago Transit Authority - CTA - Illinois	L811	7902	7949	L82J6E4500509	L82J6E4500526	48
Chicago Transit Authority - CTA - Illinois	L837	7950	7999	L82J6E4500655	L82J1E4500708	50
Chicago Transit Authority - CTA - Illinois	L847	8000	8049	L82J1E4500773	L82JXE4500822	50
Chicago Transit Authority - CTA - Illinois	L848	8050	8099	L82JXF4500823	L82J1F4500872	50
Chicago Transit Authority - CTA - Illinois	L849	8100	8149	L82J5F4500874	L82J3F4500923	50
Chicago Transit Authority - CTA - Illinois	L850	8150	8177	L82J5F4500924	L82J8F4500951	28
Clemson Area Transit - South Carolina	L617	—	—	S92U5C4500002	S92U5C4500002	1
Clemson Area Transit - South Carolina	L769	—	—	S92U1D4500418	S92U1D4500418	1
CMBC (TransLink) - British Columbia	L301	9602	9649	L82U373000216	L82U173000263	48
CMBC (TransLink) - British Columbia	L302	9650	9706	L82U673000386	L82U973000351	56
CMBC (TransLink) - British Columbia	L317	9601	9601	L82U973000155	L82U973000155	1

CLIENT	ORDER	ROAD NUMBER		VIN (2NVY/4RKY...)		QTY
		FROM	TO	FROM	TO	
CMBC (TransLink) - British Columbia	L341	V9707	V9725	L82U373000412	L82U573000430	19
CMBC (TransLink) - British Columbia	L380	9726	9747	L82U483000209	L82U683000230	22
CMBC (TransLink) - British Columbia	L381	9748	9781	L82U383000329	L82U483000369	34
CMBC (TransLink) - British Columbia	L382	9782	9791	L82U083000370	L82U783000379	10
CMBC (TransLink) - British Columbia	L412	9401	9401	L82X993000136	L82X993000136	1
CMBC (TransLink) - British Columbia	L454	9402	9470	L82X793000359	L82XX93000453	69
CMBC (TransLink) - British Columbia	L455	9471	9491	L82X093000459	L82X993000489	21
CMBC (TransLink) - British Columbia	L482	9492	9517	L82X894000040	L82X094000064	25
CMBC (TransLink) - British Columbia	L483	9518	9542	L82X294000065	L82X594000089	25
CMBC (TransLink) - British Columbia	L532	9543	9551	L82U093000497	L82U693000505	9
CMBC (TransLink) - British Columbia	L533	9552	9573	L82U193000511	L82U093000537	22
CMBC (TransLink) - British Columbia	L534	9574	9590	L82U694000124	L82U894000139	16
CMBC (West Vancouver) - British Columbia	L345	701	702	L82U373000264	L82U573000265	2
CMBC (West Vancouver) - British Columbia	L401	801	803	L82U983000206	L82U283000208	3
CMBC (West Vancouver) - British Columbia	L539	901	909	L82U494000140	L82U994000148	9
CT Transit - Connecticut	L554	1041	1065	S92U1A4000139	S92U0A4000164	25
CT Transit - Connecticut	L571	1101	1110	S92YXB4000144	S92Y4B4000169	10
CT Transit - Connecticut	L814	1462	1473	S92LXE4500717	S92L4E4500728	12
CT Transit - Connecticut	L815	1426	1426	S92L0E4500709	S92L0E4500712	4
CTA 40FT NIS	L848	8050	8099	L82JXF4500823	L82J1F4500872	50
CTA 40FT NIS	L849	8100	8149	L82J5F4500874	L82J3F4500923	50
CTA 40FT NIS	L850	8150	8177	L82J5F4500924	L82J8F4500951	28
CTA NIS	L847	8000	8049	L82JXF4500773	L82J8F4500822	50
Demo - Articulated Bus	L433	—	—	S92UX93000029	S92UX93000029	1
Demo - Engineering Platform 2010 (Altoona)	L373	373-1	373-1	L82UX83000151	L82UX83000151	1
Demo - Nova PF2010 (TARC)	L356	356-2	356-2	L82U883000231	L82U883000231	1
Demo - Plateforme 2010 (ATQ)	L456	—	—	L82U893000019	L82U893000019	1
Demo - Proto Platform 2010	L271	—	—	L82U283000001	L82U283000002	2
Demo CNG	L716	—	—	L82A5D3000896	L82A5D3000896	1
Duke University - North Carolina	L651	—	—	S92Y1B4000145	S92Y3B4000146	2
Duke University - North Carolina (ref. L703)	L641	—	—	L82U9C4500012	L82U1C4500022	8
Durham Region Transit - Ontario	L182	182-1	182-1	L82U653000157	L82U653000157	1
Durham Region Transit - Ontario	L199	169	169	L82U453000125	L82U453000125	1
Durham Region Transit - Ontario	L212	—	—	L82UX53000128	L82UX53000128	1
Durham Region Transit - Ontario	L213	—	—	L82U153000129	L82U153000129	1
Durham Region Transit - Ontario	L224	170	170	L82U963000011	L82U963000011	1
Durham Region Transit - Ontario	L872	8551	8553	L82J0F3001523	L82J4F3001525	3
Durham Region Transit - Ontario	L888	8554	8559	L82J2F3001703	L82J1F3001708	6
First Transit Inc. (ref. L173)	L144	—	—	L82U543000049	L82U543000049	1
Fredericton - New Brunswick	L146	8031	8032	L82U543000164	L82U743000165	2
Fredericton - New Brunswick	L178	8053	8053	L82U653000109	L82U653000109	1
Fredericton - New Brunswick	L225	8061	8061	L82U663000032	L82U663000032	1
Fredericton - New Brunswick	L240	8062	8062	L82U163000181	L82U163000181	1
Fredericton - New Brunswick	L276	8064	8065	L82U463000286	L82U663000287	2

CLIENT	ORDER	ROAD NUMBER		VIN (2NVY/4RKY...)		QTY
		FROM	TO	FROM	TO	
Fredericton - New Brunswick	L281	8063	8063	L82U363000263	L82U363000263	1
Fredericton - New Brunswick	L282	8071	8072	L82UX73000097	L82U173000098	2
Fredericton - New Brunswick	L289	—	—	L82U573000072	L82U573000072	1
Fredericton - New Brunswick	L369	1	1	L82U693000018	L82U693000018	1
Fredericton - New Brunswick	L375	8081	8081	L82U983000142	L82U983000142	1
Fredericton - New Brunswick	L672	8111	8112	L82U0B3000540	L82U2B3000541	2
Fredericton - New Brunswick	L688	8113	8113	L82U8C3000643	L82U8C3000643	1
Fredericton - New Brunswick	L774	8131	8131	L82U7D3000960	L82U7D3000960	1
Fredericton - New Brunswick	L812	—	—	L82J4E3001202	L82J4E3001202	1
Fredericton - New Brunswick	L836	8143	8143	L82J2E3001389	L82J2E3001389	1
Fredericton - New Brunswick	L901	8151	8151	L82J7F3001602	L82J7F3001602	1
Gaylord Opryland - Nashville, Tennessee	L223	—	—	L82VX53000221	L82VX53000221	1
Gaylord Opryland - Nashville, Tennessee	L283	—	—	L82V773000034	L82V773000034	1
Gaylord Opryland - Nashville, Tennessee	L353	—	—	L82U583000008	L82U383000010	3
Grand River Transit - GRT - Ontario	L145	2400	2417	L82U143000114	L82U143000131	18
Grand River Transit - GRT - Ontario	L161	2418	2433	L82U643000254	L82U843000269	16
Grand River Transit - GRT - Ontario	L243	2601	2614	L82U463000188	L82U363000201	14
Grand River Transit - GRT - Ontario	L337	2701	2712	L82U373000281	L82UX73000293	12
Grand River Transit - GRT - Ontario	L338	2713	2724	L82U773000431	L82U173000442	12
Grand River Transit - GRT - Ontario	L404	8007	8021	L82U683000244	L82U683000258	15
Grand River Transit - GRT - Ontario	L405	8022	8027	L82W683000259	L82WX83000264	6
Grand River Transit - GRT - Ontario	L464	20901	20913	L82U193000296	L82U493000308	13
Grand River Transit - GRT - Ontario	L560	21001	21009	L82U2A3000246	L82U1A3000254	9
Grand River Transit - GRT - Ontario	L599	21116	21118	L82X9B3000465	L82X2B3000467	3
Grand River Transit - GRT - Ontario	L631	21119	21121	L82X4B3000468	L82X2B3000470	3
Grand River Transit - GRT - Ontario	L633	21101	21115	L82U7B3000289	L82U8B3000303	15
Grand River Transit - GRT - Ontario	L668	21201	21220	L82U6C3000737	L82UXC3000756	20
Grande Prairie Alberta	L834	—	—	L82J7E3001386	L82J2E3001389	4
Greater Toronto Airports Authority - GTAA - Ontario	L432	432-1	432-1	L82U793000061	L82U793000061	1
Greater Toronto Airports Authority - GTAA - Ontario	L477	L477-1	L477-1	L82U194000001	L82U194000001	1
Greater Toronto Airports Authority - GTAA - Ontario	L616	—	—	L82U4C4500001	L82U4C4500001	1
Guelph - Ontario	L187	185	188	L82U353000214	L82U953000217	4
Guelph - Ontario	L211	183	184	L82U653000126	L82U853000127	2
Guelph - Ontario	L241	189	194	L82U363000182	L82U263000187	6
Guelph - Ontario	L397	195	198	L82U183000152	L82U783000155	4
Guelph - Ontario	L418	199	205	L82U883000410	L82U983000416	7
Guelph - Ontario	L431	206	220	L82U793000030	L82U793000044	15
Guelph - Ontario	L579	221	224	L82UXA3000401	L82U5A3000404	4
Guelph - Ontario	L669	225	228	L82U9B3000536	L82U4B3000539	4
Guelph - Ontario	L715	234	235	L82U3C3000792	L82U5C3000793	2
Guelph - Ontario	L767	237	239	L82UXD3000967	L82U3D3000969	3
Guelph - Ontario	L835	240	243	L82J0E3001391	L82J0E3001391	4
Guelph - Ontario	L927	244	247	L82J1F3001756	L82J9F3001762	4
Halifax - Nova Scotia	L558	717	731	S92UXA3000293	S92U6A3000307	15

CLIENT	ORDER	ROAD NUMBER		VIN (2NVY/4RKY...)		QTY
		FROM	TO	FROM	TO	
Halifax - Nova Scotia	L613	732	741	S92UXB3000019	S92UXB3000028	10
Halifax - Nova Scotia	L693	526	534	L82U8C3000657	L82U7C3000665	9
Halifax - Nova Scotia	L708	742	761	L92UXC3000782	S92U3C3000803	20
Halifax - Nova Scotia	L710	1160	1161	L82U7C3000780	L82U9C3000781	2
Hamilton - Ontario	L885	1501	1518	L82K3F4501093	L82K0F4501196	18
Honolulu - Hawaii	L559	201	224	L82U6A4000113	L82U7A4000136	24
Houston - Texas	L737	1510	1510	S92U4D4500297	S92U4D4500297	1
Houston - Texas	L755	1511	1579	S92U4D4500333	S92U8D4500402	69
Kings Transit - Nova Scotia	L581	—	—	L82U2B3000054	L82U2B3000054	1
Krapf's Coaches - Pennsylvania (ref. L833)	L754	—	—	L82U4D4500405	L82U4D4500405	1
Leduc Bus Line - Ontario	L181	—	—	L82V853000119	L82V853000119	1
Leduc Bus Line - Ontario	L228	228-1	228-1	L82V663000041	L82V663000041	1
Leduc Bus Line - Ontario	L346	—	—	L82UX83000053	L82UX83000053	1
Lethbridge - Alberta	L489	165	169	L82U493000454	L82U193000458	5
Lethbridge - Alberta	L868	—	—	L82J2F3001510	L82J2F3001510	1
LYNX - Florida	L725	—	—	S92Y9D4500329	S92Y5D4500330	2
LYNX - Florida	L764	—	—	S92Y7D4500331	S92Y9D4500332	2
LYNX - Florida	L785	—	—	S92L6E4500505	S92L8E4500506	2
Marketing Sales Demo	L705	—	—	L82U1D3000906	L82U1D3000906	1
Marketing Sales Demo - MSD 1 ISB Hybrid	L548	—	—	L82X5A3000087	L82X5A3000087	1
Marketing Sales Demo - MSD 5	L619	—	—	L82X7C3000367	L82X7C3000367	1
Marketing Sales Demo - MSD 6 Houston	L628	—	—	L82U8C4500003	L82UXC4500004	2
Minnesota Valley Transit Authority - MVTA	L706	4252	4258	L82U4C4500127	L82UXC4500133	7
Moncton (Codiac) - New Brunswick	L147	504	505	L82U943000166	L82U043000167	2
Moncton (Codiac) - New Brunswick	L226	506	507	L82U863000033	L82UX63000034	2
Moncton (Codiac) - New Brunswick	L334	600	603	L82U673000212	L82U173000215	4
Moncton (Codiac) - New Brunswick	L358	358-1	358-1	L82U093000001	L82U093000001	1
Moncton (Codiac) - New Brunswick	L361	361-1	361-1	L82U293000002	L82U293000002	1
Moncton (Codiac) - New Brunswick	L569	—	—	L82U4B4000001	L82U4B4000001	1
Moncton (Codiac) - New Brunswick	L570	—	—	L82U6B4000002	L82U6B4000002	1
Moose Jaw - Saskatchewan	L344	17	25	L82U083000143	L82U883000147	5
MTD - Santa Barbara, California	L730	—	—	S92J8E4500567	S92J1E4500569	3
New York City Transit - New York	L536	1200	1201	S92U793000490	S92U993000491	2
New York City Transit - New York	L545	1202	1289	S92U5A4000001	S92U0A4000098	88
New York City Transit - New York	L608	8000	8014	L82U6B4000047	L82U0B4000061	15
New York City Transit - New York	L620	8015	8074	L82U2B4000062	L82U7B4000123	60
New York City Transit - New York	L621	8075	8089	L82U9B4000124	L82U9B4000138	15
New York City Transit - New York	L643	5895	5895	S92U1B4000143	S92U1B4000143	1
New York City Transit - New York	L670	5770	5894	S92U9B4000147	S92UXC4500061	125
New York City Transit - New York	L681	5896	5283	S92U2C4500023	S92U9C4500195	122
New York City Transit - New York	L692	5284	5363	S92U3C4500158	S92U3D4500274	80
New York City Transit - New York	L840	8090	8093	L82J5E4500713	L82J0E4500716	4
New York City Transit - New York	L841	8094	8175	L82J2F4500959	L82J2F4501075	82
New York City Transit - New York	L842	8176	8242	L82J4F4501076	L82J6F4501144	67

CLIENT	ORDER	ROAD NUMBER		VIN (2NVY/4RKY...)		QTY
		FROM	TO	FROM	TO	
NFTA - Buffalo, New York	L877	1501	1501	L82K0F4500984	L82K0F4500984	1
NFTA Buffalo NG Pilot NIS	L877	1501	1501	L82K0F4500984	L82K0F4500984	1
Niagara Falls - Ontario	L499	2986	2989	L82U093000564	L82U693000567	4
Niagara Falls - Ontario	L652	—	—	S92U3C3000607	S92U6C3000617	11
Niagara Falls - Ontario	L653	—	—	L82U9C3000618	L82U9C3000621	5
Niagara Falls - Ontario	L771	1396	1397	L82U9D3000958	L82U0D3000959	2
Niagara Parks Commission - Ontario	L656	—	—	L82U0C3000653	L82U2C3000654	2
Niagara Parks Commission - Ontario	L685	—	—	S92U9C3000644	S92U8C3000652	9
North Bay - Ontario	L895	784	785	L82J7F3001678	L82J9F3001679	2
NYCT B40656 LOT # 3	L843	8214	8214	L82J9F4501171	L82J9F4501171	1
Oakville - Ontario	L874	—	—	L82J6F3001526	L82JXF3001531	6
Oakville - Ontario	L881	—	—	L82J2F3001717	L82J8F3001740	5
Ottawa - Ontario	L162	162-1	162-1	L82V343000270	L82V343000270	1
Peterborough - Ontario	L130	60017	60021	L82S143000001	L82S943000005	5
Peterborough - Ontario	L159	60022	60024	L82S443000168	L82S243000170	3
Peterborough - Ontario	L202	—	—	L82U253000110	L82U653000112	3
Peterborough - Ontario	L411	36	50	L82U283000354	L82U083000532	15
Peterborough - Ontario	L490	—	—	L82UX93000345	L82U593000348	4
Peterborough - Ontario	L770	55	60	L82U0D3000993	L82UXD3000998	6
Peterborough - Ontario	L870	61	63	L82JXF3001612	L82J3F3001614	3
Red Deer - Alberta	L726	—	—	L82UXC3000840	L82U1C3000841	2
Red Deer - Alberta	L766	1104	1105	L82U7D3001025	L82U9D3001026	2
Red Deer - Alberta	L772	1106	1108	L82J2E3001120	L82J6E3001122	3
Red Deer - Alberta	L813	10008	10009	L82J2E3001361	L82J4E3001362	2
Red Deer - Alberta	L869	—	—	L82J9F3001570	L82J0F3001571	2
Regina - Saskatchewan	L166	598	603	L82U453000027	L82U853000032	6
Regina - Saskatchewan	L183	604	608	L82U853000046	L82UX53000050	5
Regina - Saskatchewan	L239	609	610	L82U363000179	L82UX63000180	2
Regina - Saskatchewan	L304	611	616	L82U373000457	L82U773000462	6
Regina - Saskatchewan	L356	356-1	356-1	L82U883000150	L82U883000150	1
Regina - Saskatchewan	L360	—	—	L82U283000290	L82U283000290	1
Regina - Saskatchewan	L459	617	624	L82UX83000537	L82U783000544	8
Regina - Saskatchewan	L476	625	628	L82U893000313	L82U393000316	4
Regina - Saskatchewan	L561	631	644	L82U8B4000003	L82UXB4000018	14
Regina - Saskatchewan	L639	645	654	L82U1B3000336	L82U2B3000345	10
Regina - Saskatchewan	L748	655	662	L82U3D3000874	L82U0D3000881	8
Regina - Saskatchewan	L776	663	669	L82U4D3001001	L82U5D3001007	7
Regina - Saskatchewan	L807	671	685	L82J8E3001137	L82J2E3001151	15
Regina - Saskatchewan	L892	686	691	L82J5F3001484	L82J4F3001489	6
San Joaquin County - California	L768	—	—	S92L4D4500422	S92L3D4500427	6
Sarnia Ontario	L873	151	152	L82J0F3001599	L82J0F3001600	2
Saskatoon - Saskatchewan	L359	—	—	S92U583000289	S92U583000289	1
Saskatoon - Saskatchewan	L551	1005	1007	S92UXA3000178	S92U8A3000180	3
Saskatoon - Saskatchewan	L568	—	—	S92U9B3000013	S92U9B3000013	1

CLIENT	ORDER	ROAD NUMBER		VIN (2NVY/4RKY...)		QTY
		FROM	TO	FROM	TO	
Saskatoon - Saskatchewan	L618	—	—	S92U1C3000377	S92U1C3000377	1
Saskatoon - Saskatchewan	L690	1201	1204	L82U6C3000690	L82U1C3000693	4
Saskatoon - Saskatchewan	L831	1401	1405	L82J7E3001307	L82J9E3001311	5
Saskatoon - Saskatchewan	L894	1501	1510	L82J0F3001490	L82J7F3001499	10
Sault Ste-Marie Transit Services - Ontario (ref. L686)	L641	135	139	L82U7C4500008	L82U6C4500016	5
Sault Ste-Marie Transit Services - Ontario (ref. L751)	L754	—	—	L82U7D4500284	L82U7D4500284	1
SEPTA - Pennsylvania	L724	7300	7301	S92Y1D4500275	S92Y3D4500276	2
SEPTA - Pennsylvania	L728			L82W7D4500335	L82W7D4500335	1
SEPTA - Pennsylvania	L741	—	—	S92L4E4500504	S92L4E4500504	1
SEPTA - Pennsylvania	L742	7371	7414	S92L6E4500729	S92L7E4500772	44
SEPTA - Pennsylvania	L743	—	—	S92L1E4500489	S92L2E4500503	15
SEPTA - Pennsylvania	L744	—	—	L82L7E4500570	L82LXE4500661	89
SEPTA - Pennsylvania	L745	7415	7415	S92L0F4500873	S92L0F4500873	1
SEPTA - Pennsylvania	L746	7416	7454	S92L7F4500952	S92L8F4501012	39
SEPTA - Pennsylvania	L749	7302	7354	S92Y7D4500409	S92L2E4500470	53
St. Catharines Ontario	L879	1501	1504	L82J4F3001587	L82J4F3001590	4
St. Catharines Ontario	L898	1560	1560	S92J4F3001663	S92J4F3001663	1
St. John - New Brunswick	L272	—	—	S92U483000011	S92U483000011	1
St. John - New Brunswick	L273	—	—	S92U383000050	S92U383000050	1
St. John - New Brunswick	L871	40585	40586	L82J8F3001592	L82JXF3001593	2
St. John's - Newfoundland	L242	0753	0756	L82U273000028	L82U273000031	4
St. John's - Newfoundland	L352	0857	0861	L82U683000003	L82U383000007	5
St. John's - Newfoundland	L403	0962	0965	L82U299300014	L82U493000017	4
St. John's - Newfoundland	L503	1066	1066	L82U4A3000071	L82U4A3000071	1
St. John's - Newfoundland	L687	1201	1209	L82U7C3000598	L82U2C3000606	9
St. John's - Newfoundland	L731	1310	1314	L82U3C3000842	L82U2C3000847	5
St. John's - Newfoundland	L808	1415	1419	L82J4E3001152	L82J1E3001156	5
St. John's - Newfoundland	L875	1520	1525	L82JXF3001478	L82J3F3001483	6
Stratford - Ontario	L371	—	—	L82U183000104	L82U183000104	1
Stratford - Ontario	L493	—	—	L82U2A3000019	L82U2A3000019	1
Stratford - Ontario	L634	—	—	L82UXB3000352	L82UXB3000352	1
Stratford - Ontario	L752	—	—	L82U9D3000863	L82U9D3000863	1
Stratford - Ontario	L893	—	—	L82J9F3001584	L82J0F3001585	2
Strathcona County Transit - Alberta	L177	921	923	L82U953000024	L82U253000026	3
Strathcona County Transit - Alberta	L233	924	929	L82V963000101	L82V863000106	6
Strathcona County Transit - Alberta	L303	930	936	L82U073000156	L82U673000162	7
Strathcona County Transit - Alberta	L383	—	—	L82U083000269	L82U083000269	1
Strathcona County Transit - Alberta	L406	937	939	L82U783000270	L82U083000272	3
Strathcona County Transit - Alberta	L407	940	943	L82W083000273	L82W683000276	4
Strathcona County Transit - Alberta	L457	944	949	L82U683000597	L82U683000602	6
Strathcona County Transit - Alberta	L523	2010	2010	L82U693000603	L82U693000603	1
Strathcona County Transit - Alberta	L524	3005	3010	L82X593000604	L82X493000609	6
Strathcona County Transit - Alberta	L580	2011	2023	L82U1A3000464	L82U8A3000476	13
Strathcona County Transit - Alberta	L659	2024	2028	L82U7B3000440	L82U4B3000444	5

CLIENT	ORDER	ROAD NUMBER		VIN (2NVY/4RKY...)		QTY
		FROM	TO	FROM	TO	
Sudbury - Ontario	L208	—	—	L82U653000191	L82UX53000193	3
Sudbury - Ontario	L250	—	—	L82U063000236	L82U263000240	5
Sudbury - Ontario	L251	—	—	L82U063000241	L82U263000242	2
Sudbury - Ontario	L293	—	—	L82U673000128	L82U673000131	4
Sudbury - Ontario	L294	—	—	L82U873000132	L82UX73000133	2
Sudbury - Ontario	L385	781	782	L82U583000137	L82U783000138	2
Sudbury - Ontario	L386	785	785	L82U783000141	L82U783000141	1
Sudbury - Ontario	L399	783	784	L82U983000139	L82U583000140	2
Sudbury - Ontario	L465	791	795	L82U593000317	L82U793000321	5
Sudbury - Ontario	L552	801	808	L82U3A3000238	L82U0A3000245	8
Sudbury - Ontario	L632	811	817	L82U9B3000326	L82U4B3000332	7
Sudbury - Ontario	L740	831	833	L82U1D3000887	L82U5D3000889	3
Sudbury - Ontario	L890	851	855	L82JXF3001609	L82J6F3001641	5
Thunder Bay - Ontario	L221	142	144	L82U863000033	L82UX63000034	3
Thunder Bay - Ontario	L285	—	—	L82U473000046	L82U873000048	3
Thunder Bay - Ontario	L408	—	—	L82U283000239	L82U483000243	5
Thunder Bay - Ontario	L453	—	—	L82U283000533	L82U683000535	3
Thunder Bay - Ontario	L488	—	—	L82U193000332	L82U593000334	3
Thunder Bay - Ontario	L614	—	—	L82UXB3000061	L82U3B3000063	3
Thunder Bay - Ontario	L662	20168	20168	L82U3B3000533	L82U7B3000535	3
Thunder Bay - Ontario	L739	—	—	L82U3D3000860	L82U7D3000862	3
Thunder Bay - Ontario	L806	—	—	L82J6E3001170	L82J8E3001171	2
Timmins - Ontario	L184	184-1	184-1	L82UX53000081	L82UX53000081	1
Timmins - Ontario	L254	254-1	254-1	L82UX73000035	L82UX73000035	1
Timmins - Ontario	L426	—	—	L82U783000480	L82U883000536	2
Timmins - Ontario	L475	—	—	L82U493000311	L82U693000312	2
Timmins - Ontario	L550	—	—	L82U8A3000171	L82UXA3000172	2
Timmins - Ontario	L661	—	—	L82U9B3000486	L82U9B3000486	1
Timmins - Ontario	L720	12-98	12-98	L82U0C3000829	L82U0C3000829	1
Timmins - Ontario	L783	—	—	L82U8D3001017	L82UXD3001018	2
Timmins - Ontario	L839	—	—	L82J8E3001395	L82J8E3001395	1
Timmins - Ontario (ref. L189)	L144	—	—	L82U343000048	L82U343000048	1
Toronto Transit Commission - TTC - Ontario	L729	9000	9000	S92U9D3000905	S92U9D3000905	1
Toronto Transit Commission - TTC - Ontario	L738	9001	9026	S92J6D3001094	S92J7D3001119	26
Toronto Transit Commission - TTC - Ontario	L777	9027	9152	S92J7E3001123	S92J6E3001372	126
Toronto Transit Commission - TTC - Ontario	L859	8400	8400	L82J5F3001405	L82J5F3001405	1
Toronto Transit Commission - TTC - Ontario	L860	8401	8471	L82J0F3001554	L82J5F3001761	71
University of Alabama - Alabama	L295	7001	7001	L82U173000134	L82U173000134	1
University of Alabama - Alabama	L296	7002	7003	L82U373000135	L82U573000136	2
University of Alabama - Alabama	L310	7004	7013	L82U973000267	L82UX73000276	10
University of Alabama - Alabama	L311	7014	7017	L82U173000277	L82U173000280	4
University of Alabama - Alabama	L479	479-1	479-1	L82U394000002	L82U394000002	1
University of Alabama - Alabama	L480	480-1	480-1	L82U594000003	L82U594000003	1
University of Alabama - Alabama	L573	—	—	L82U9A4000137	L82U0A4000138	2

CLIENT	ORDER	ROAD NUMBER		VIN (2NVY/4RKY...)		QTY
		FROM	TO	FROM	TO	
University of Alabama - Alabama	L640	—	—	L82U9B4000141	L82UOB4000142	2
University of Alabama - Alabama	L671	7024	7025	L82U5C4500119	L82U1C4500120	2
University of Alabama - Alabama	L727	7026	7027	L82U4D4500310	L82U6D4500311	2
University of Alabama - Alabama	L787	—	—	L82J2E4500507	L82J4E4500508	2
University of Alabama - Alabama	L902	7030	7030	L82J2F4500993	L82J4F4500994	2
University of Colorado - Colorado	L237	—	—	L82U163000164	L82U363000165	2
University of Colorado - Colorado	L336	—	—	L82U773000266	L82U773000266	1
University of Colorado - Colorado	L427	—	—	S92U693000027	S92U693000027	1
University of Colorado - Colorado	L428	—	—	S92U893000028	S92U893000028	1
University of Colorado - Colorado	L627	—	—	S92UXB4000139	S92U6B4000140	2
Walt Disney World - Florida	L174	174-1	174-1	L82U553000005	L82U553000005	1
Walt Disney World - Florida	L535	1204	1213	L82UXA4000003	L82U0A4000012	10
Walt Disney World - Florida	L763	—	—	S92U0D3001019	S92U4D3001024	6
Welland Ontario	L866	—	—	L82J9F3001648	L82J9F3001648	1
Whitehorse - Yukon	L278	—	—	L82U563000264	L82U263000268	4
Whitehorse - Yukon	L423	—	—	L82U983000481	L82U083000482	2
Whitehorse - Yukon	L563	38	41	L82U3A3000255	L82U9A3000258	4
Whitehorse - Yukon	L784	43	43	L82U9D3001057	L82U9D3001057	1
Windsor - Ontario	L186	555	564	L82U053000181	L82U453000190	10
Woodstock - Ontario	L255	—	—	L82U163000228	L82U163000228	1
Woodstock - Ontario	L335	—	—	L82U083000093	L82U083000093	1
Woodstock - Ontario	L419	—	—	L82U183000409	L82U183000409	1
Woodstock - Ontario	L460	—	—	L82U693000309	L82U693000309	1
Woodstock - Ontario	L492	—	—	L82U4A3000040	L82U6A3000041	2
Woodstock - Ontario	L778	—	—	L82U2D3001014	L82U2D3001014	1
Woodstock - Ontario	L832	—	—	L82J9E3001342	L82J9E3001342	1
Woodstock - Ontario	L923	15-16	15-16	L82J9F3001746	L82J9F3001746	1
Woodstock - Ontario (ref. L388)	L209	—	—	L82U153000230	L82U153000230	1
York Regional Transit - Ontario	L562	1080	1082	S92U2A3000420	S92U6A3000422	3
York Regional Transit - Ontario	L572	1083	1094	S92U3A3000569	S92U2A3000580	12
York Regional Transit - Ontario	L654	1370	1390	S92U1D3000946	S92U2D3000986	21
York Regional Transit - Ontario	L761	1391	1396	S92U6D3001008	S92UXD3001013	6
York Regional Transit - Ontario	L896	1501	1517	L82J2F3001619	L82JXF3001741	17

**WARNING**

Follow your internal safety procedures.

PROCEDURE

- 1.1. Park the vehicle on a level surface in neutral position and apply parking brake.
- 1.2. Make sure wheels are straight.
- 1.3. Raise the vehicle.

**WARNING**

Before working on the underside of the bus, make sure the body is blocked solidly to prevent it from dropping when the air pressure in the suspension is released.

- 1.4. Locate the pitman arm (see Figure 1).

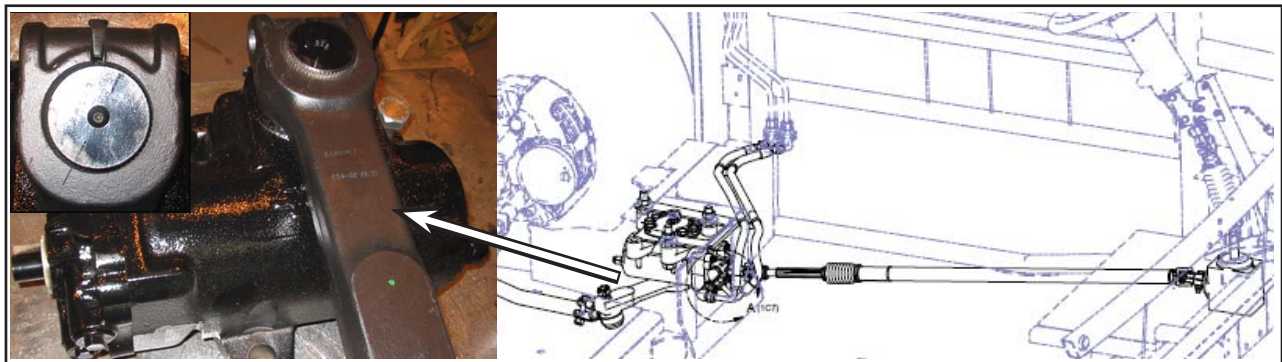


Figure 1 - Location of Pitman Arm

- 1.5. Using the appropriate tool to hold the pitman arm, remove and discard the hardware (see Figure 2).

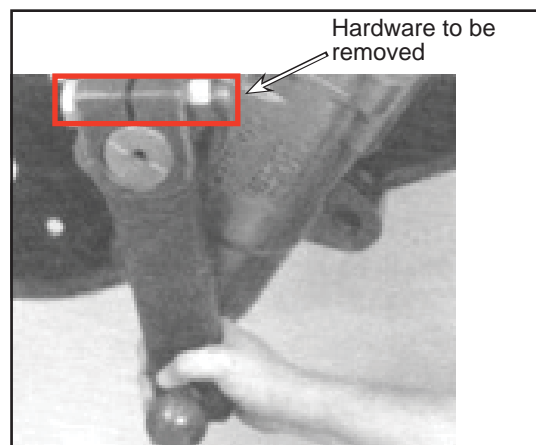


Figure 2 - Removal of Hardware

**NOTE**

The Hardware Kit is for a single, one-time use ONLY. If disassembled this kit must be replaced with a new kit. Clean the surfaces of the pitman arm where the new hardware is to be installed.

- 1.6. Install the thin washer and bolt on the pitman arm to secure it to the power steering box (see Figure 3).

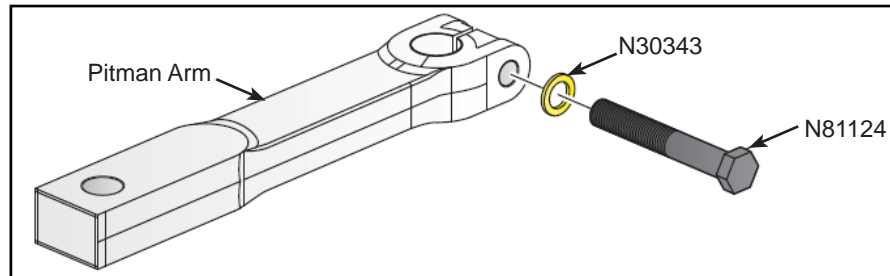


Figure 3 - Installation of Hardware on Pitman Arm

- 1.7. Install the thick washer and regular nut on the end of the bolt. Tighten the nut to torque specifications (see Figure 4).

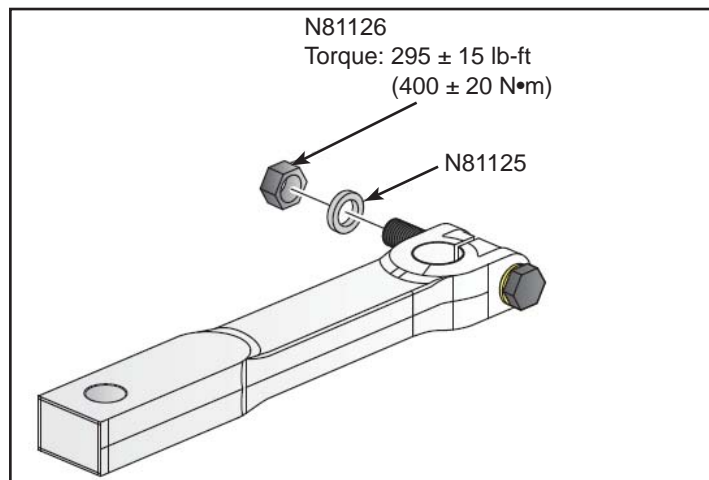


Figure 4 - Installation of Hardware on Pitman Arm

- 1.8. Apply a small amount of thread locker (Red Loctite N22120 or equivalent) on the bolt threads where the jam nut will be installed (see Figure 5).

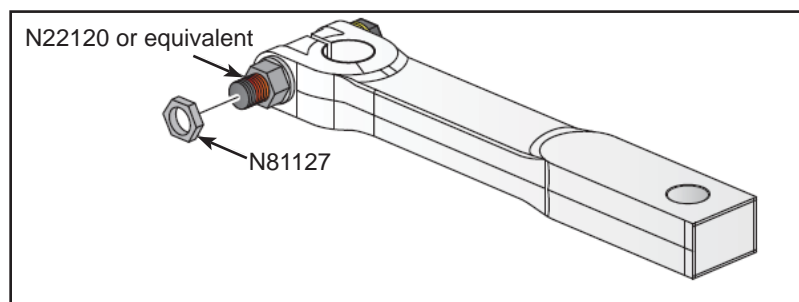


Figure 5 - Application of Thread Locker

- 1.9. Insert the jam nut on the end of the bolt. Hold the regular nut using a wrench to avoid any movement while tightening the jam nut to torque specifications (see Figure 6).

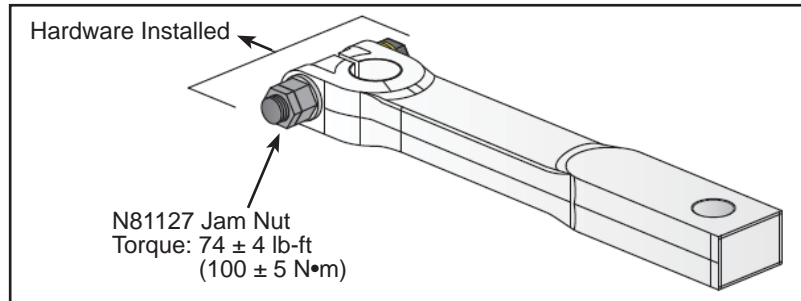


Figure 6 - Installation of Hardware on Pitman Arm



NOTE

Please refer to **SECTION 07: STEERING MECHANISM** of the Nova Bus maintenance manual for correct alignment of pitman arm and power steering box.

- 1.10. Lower the vehicle.
- 1.11. The vehicle may be returned to service. ❖