

REFERENCE:	Nova Bus Manuals
SECTION:	09: Engine and Accessories
RS N°:	MQR 7621-1080
EFFECTIVE IN PROD.:	N/A

APPLICATION DEADLINE:N/A

SUBJECT:	Suspend #6 lifter during camshaft removal
JUSTIFICATION:	No access to suspend #6 lifter

LEVEL	DESCRIPTION	DIRECT CHARGES		TIME
		LABOUR	MATERIAL	
1	Cut hole for access to #6 cylinder exhaust lifter	Client	Client	45min
2	-	-	-	-

MATERIAL

QTY	PART N°	REV.	DESCRIPTION	REPLACES PART N°
LEVEL 1				
1	N85564	-	Cover push rod instl hole	-
4	N81897	-	Rivet 3/16 x .45 but S.S. .126-.25	-
LEVEL 2				
-	-	-	-	-

Materials will be available within 28 days once your order has been placed. To order, please contact Prevost Parts by phone at 1-800-771-6682, by fax at 1-888-668-2555 or by email at prevostparts.commandes@volvo.com. Specify document number, quantity of parts required and shipping address.

DISPOSAL OF PARTS

REMOVED PARTS ARE:	DISCARDED *	RETAINED	* Dispose of the unused parts and the defective parts in accordance with local environmental standards in effect.
	Yes	-	

REVISION HISTORY

REV.	DATE	CHANGE DESCRIPTION	WRITTEN BY
NR	2016SE26	Initial release	Marc Rougeau

CLIENT	ORDER	ROAD NUMBER		VIN (2NVVY/4RKY...)		QTY
		FROM	TO	FROM	TO	
Airdrie Transit - Alberta	L664	—	—	L82U2B3000507	L82U2B3000507	1
Airdrie Transit - Alberta	L759	—	—	L82U0D3000928	L82U0D3000928	1
Barrie - Ontario	L878	1501	1504	L82JXF3001691	L82J6F3001719	4
Barrie - Ontario	L955	1601	1604	L82J7G9775408	L82J9G9775412	4
BC Transit - BCT - British Columbia	L463	9319	9333	L82U093000273	L82U093000287	15
BC Transit - BCT - British Columbia	L481	9334	9353	L82U794000004	L82U094000023	20
BC Transit - BCT - British Columbia	L484	9370	9403	L82U494000090	L82U494000123	34
BC Transit - BCT - British Columbia	L486	9354	9369	L82U294000024	L82U494000039	16
BC Transit - BCT - British Columbia	L487	9404	9433	L82U094000149	L82U794000178	30
BC Transit - BCT - British Columbia	L604	9434	9434	L82U5C3000597	L82U5C3000597	1
BC Transit - BCT - British Columbia	L735	9435	9440	L82U4C3000848	L82U8C3000853	6
BC Transit - BCT - British Columbia	L736	9441	9446	L82U8D3000854	L82U7D3000859	6
BC Transit - BCT - British Columbia	L858	9447	9481	L82JXE3001401	L82J5F3001436	35
BC Transit - BCT - British Columbia	L891	—	—	L82J5F3001565	L82J2F3001569	5
Belleville Ontario (ref. L962)	L840	8092	8092	L82J9E4500715	L82J9E4500715	1
Belleville Transit - Ontario	L542	—	—	L82UXA3000088	L82U8A3000090	3
Belleville Transit - Ontario	L598	—	—	L82U5A3000581	L82U7A3000582	2
Belleville Transit - Ontario	L655	—	—	L82U3B3000385	L82U3B3000385	1
Belleville Transit - Ontario	L702	—	—	L82U4D3000706	L82U4D3000706	1
Belleville Transit - Ontario (ref. L754)	L809	—	—	L82U2D4500404	L82U2D4500404	1
Bow Valley Transit - Alberta	L712	5	6	L82U6C3000804	L82U8C3000805	2
Brampton - Ontario	L501	0917	0926	L82U893000506	L82U893000523	10
Brampton - Ontario	L789	—	—	L82J4E3001216	L82J1E3001223	8
Brampton - Ontario	L816	—	—	L82J3E3001224	L82J9E3001230	7
Brampton - Ontario	L864	1501	1510	L82JXF3001500	L82J6F3001509	10
Brampton - Ontario	L865	1511	1519	L82JXF3001514	L82J9F3001522	9
Brampton - Ontario	L941	1614	1623	L82J1G3750123	L82J2G3750132	10
Brampton - Ontario	L942	1601	1613	L82J6G3750070	L82J4G3750083	13
Brandon - Manitoba	L899	67	70	L82J2G3750180	L82J8G3750183	4
Brantford - Ontario	L663	10121	10121	L82U1B3000532	L82U1B3000532	1
Brantford - Ontario	L718	10123	10125	L82U5C3000826	L82U9C3000828	3
Brantford - Ontario	L775	10131	10132	L82U1D3000999	L82U2D3001000	2
Brantford - Ontario	L928	10151	10153	L82J7F3001793	L82J0F3001795	3
Burlington - Ontario	L887	7017-15	7025-15	L82J7F3001681	L82J8F3001723	9
Calgary Transit - Alberta	L601	8101	8114	L82U5A4000099	L82U4A4000112	14
Calgary Transit - Alberta	L607	8115	8130	L82UXA3000477	L82U6A3000492	16
Calgary Transit - Alberta	L615	8131	8158	L82U1B4000019	L82U4B4000046	28
Calgary Transit - Alberta	L624	—	—	L82U4B4000077	L82U6B4000078	2
Calgary Transit - Alberta	L637	8161	8180	L82U7B3000356	L82U2B3000376	20
Calgary Transit - Alberta	L709	8181	8200	L82UXC3000806	L82U3C3000825	20
CMBC (TransLink) - British Columbia	L532	9543	9551	L82U093000497	L82U693000505	9
CMBC (TransLink) - British Columbia	L533	9552	9573	L82U193000511	L82U093000537	22
CMBC (TransLink) - British Columbia	L534	9574	9590	L82U694000124	L82U894000139	16

CLIENT	ORDER	ROAD NUMBER		VIN (2NVY/4RKY...)		QTY
		FROM	TO	FROM	TO	
CMBC (West Vancouver) - British Columbia	L539	901	909	L82U494000140	L82U994000148	9
Cornwall Ontario	L935	—	—	L82J3F3001838	L82J5F3001839	2
Durham Region Transit - Ontario	L872	8551	8553	L82J0F3001523	L82J4F3001525	3
Durham Region Transit - Ontario	L888	8554	8559	L82J2F3001703	L82J1F3001708	6
Fredericton - New Brunswick	L672	8111	8112	L82U0B3000540	L82U2B3000541	2
Fredericton - New Brunswick	L688	8113	8113	L82U8C3000643	L82U8C3000643	1
Fredericton - New Brunswick	L774	8131	8131	L82U7D3000960	L82U7D3000960	1
Fredericton - New Brunswick	L812	—	—	L82J4E3001202	L82J4E3001202	1
Fredericton - New Brunswick	L836	8143	8143	L82J9E3001390	L82J9E3001390	1
Fredericton - New Brunswick	L901	8151	8151	L82J7F3001602	L82J7F3001602	1
Fredericton - New Brunswick	L968	8161	8162	L82J1G3750218	L82J3G3750219	2
Grand River Transit - GRT - Ontario	L464	20901	20913	L82U193000296	L82U493000308	13
Grand River Transit - GRT - Ontario	L560	21001	21009	L82U2A3000246	L82U1A3000254	9
Grand River Transit - GRT - Ontario	L633	21101	21115	L82U7B3000289	L82U8B3000303	15
Grand River Transit - GRT - Ontario	L668	21201	21220	L82U6C3000737	L82UXC3000756	20
Grande Prairie Alberta	L834	—	—	L82J7E3001386	L82J2E3001389	4
Greater Toronto Airports Authority - GTAA - Ontario	L432	432-1	432-1	L82U793000061	L82U793000061	1
Greater Toronto Airports Authority - GTAA - Ontario	L477	L477-1	L477-1	L82U194000001	L82U194000001	1
Greater Toronto Airports Authority - GTAA - Ontario	L616	—	—	L82U4C4500001	L82U4C4500001	1
Guelph - Ontario	L579	221	224	L82UXA3000401	L82U5A3000404	4
Guelph - Ontario	L669	225	228	L82U9B3000536	L82U4B3000539	4
Guelph - Ontario	L715	234	235	L82U3C3000792	L82U5C3000793	2
Guelph - Ontario	L767	237	239	L82UXD3000967	L82U3D3000969	3
Guelph - Ontario	L835	240	243	L82J0E3001391	L82J6E3001394	4
Guelph - Ontario	L927	244	247	L82J1F3001756	L82J9F3001763	4
Guelph - Ontario	L985	248	251	L82J7G3750255	L82J2G3750258	4
Halifax - Nova Scotia	L558	717	731	S92UXA3000293	S92U6A3000307	15
Halifax - Nova Scotia	L613	732	741	S92UXB3000019	S92UXB3000028	10
Halifax - Nova Scotia	L693	526	534	L82U8C3000657	L82U7C3000665	9
Halifax - Nova Scotia	L708	742	761	S92UXC3000782	S92U3C3000803	20
Halifax - Nova Scotia	L710	1160	1161	L82U7C3000780	L82U9C3000781	2
Kings Transit - Nova Scotia	L581	—	—	L82U2B3000054	L82U2B3000054	1
Kingston Ontario	L880	1502	1502	L82JXF3001786	L82JXF3001786	1
Kingston Ontario	L889	1687	1689	L82J1G3750252	L82J5G3750254	3
Kingston Ontario	L925	1504	1510	L82J5F3001808	L82J5F3001811	4
Kingston Ontario	L954	1683	1686	L82J4G3750259	L82J4G3750262	4
Lethbridge - Alberta	L489	165	169	L82U493000454	L82U193000458	5
Lethbridge - Alberta	L868	—	—	L82J2F3001510	L82J2F3001510	1
Moncton (Codiac) - New Brunswick	L358	358-1	358-1	L82U093000001	L82U093000001	1
Moncton (Codiac) - New Brunswick	L361	361-1	361-1	L82U293000002	L82U293000002	1
Moncton (Codiac) - New Brunswick	L569	—	—	L82U4B4000001	L82U4B4000001	1
Moncton (Codiac) - New Brunswick	L570	—	—	L82U6B4000002	L82U6B4000002	1
Niagara Falls - Ontario	L499	2986	2989	L82U093000564	L82U693000567	4
Niagara Falls - Ontario	L652	—	—	S92U3C3000607	S92U6C3000617	11

CLIENT	ORDER	ROAD NUMBER		VIN (2NVY/4RKY...)		QTY
		FROM	TO	FROM	TO	
Niagara Falls - Ontario	L653	—	—	L82U9C3000618	L82U9C3000621	5
Niagara Falls - Ontario	L771	1396	1397	L82U9D3000958	L82U0D3000959	2
Niagara Parks Commission - Ontario	L656	—	—	L82U0C3000653	L82U2C3000654	2
Niagara Parks Commission - Ontario	L685	—	—	S92U9C3000644	S92U8C3000652	9
North Bay - Ontario	L895	784	785	L82J7F3001678	L82J9F3001679	2
Oakville - Ontario	L874	—	—	L82J6F3001526	L82JXF3001531	6
Oakville - Ontario	L881	—	—	L82J2F3001717	L82J8F3001740	5
Oakville - Ontario	L945	-	-	L82J9G3750211	L82JXG3750217	7
Peterborough - Ontario	L490	—	—	L82UX93000345	L82U593000348	4
Peterborough - Ontario	L770	55	60	L82U0D3000993	L82UXD3000998	6
Peterborough - Ontario	L870	61	63	L82JXF3001612	L82J3F3001614	3
Peterborough - Ontario	L919	64	66	L82J6F3001767	L82JXF3001769	3
Peterborough - Ontario	L966	67	71	L82J2G3750230	L82JXG3750234	5
Red Deer - Alberta	L726	—	—	L82UXC3000840	L82U1C3000841	2
Red Deer - Alberta	L766	1104	1105	L82U7D3001025	L82U9D3001026	2
Red Deer - Alberta	L772	1106	1108	L82J2E3001120	L82J6E3001122	3
Red Deer - Alberta	L813	10008	10009	L82J2E3001361	L82J4E3001362	2
Red Deer - Alberta	L869	—	—	L82J9F3001570	L82J0F3001571	2
Red Deer - Alberta	L926	—	—	L82J2F3001796	L82J4F3001797	2
Red Deer - Alberta	L960	10021	10025	L82K9G9775418	L82K3G9775429	5
Regina - Saskatchewan	L356	356-1	356-1	L82U883000150	L82U883000150	1
Regina - Saskatchewan	L360	—	—	L82U283000290	L82U283000290	1
Regina - Saskatchewan	L476	625	628	L82U893000313	L82U393000316	4
Regina - Saskatchewan	L561	631	644	L82U8B4000003	L82UXB4000018	14
Regina - Saskatchewan	L639	645	654	L82U1B3000336	L82U2B3000345	10
Regina - Saskatchewan	L748	655	662	L82U3D3000874	L82U0D3000881	8
Regina - Saskatchewan	L776	663	669	L82U4D3001001	L82U5D3001007	7
Regina - Saskatchewan	L807	671	685	L82J8E3001137	L82J2E3001151	15
Regina - Saskatchewan	L892	686	691	L82J5F3001484	L82J4F3001489	6
Regina - Saskatchewan	L949	692	696	L82J3G3750205	L82J0G3750209	5
Regina - Saskatchewan	L992	-	-	L82J6G3750294	L82J3G3750298	5
Sarnia Ontario	L873	151	152	L82J0F3001599	L82J0F3001600	2
Sarnia Ontario	L883	153	153	L82J4G3750021	L82J4G3750021	1
Sarnia Ontario	L963	-	-	L82J7G3750305	L82J7G3750305	1
Saskatoon - Saskatchewan	L359	—	—	S92U583000289	S92U583000289	1
Saskatoon - Saskatchewan	L551	1005	1007	S92UXA3000178	S92U8A3000180	3
Saskatoon - Saskatchewan	L568	—	—	S92U9B3000013	S92U9B3000013	1
Saskatoon - Saskatchewan	L618	—	—	S92U1C3000377	S92U1C3000377	1
Saskatoon - Saskatchewan	L690	1201	1204	L82U6C3000690	L82U1C3000693	4
Saskatoon - Saskatchewan	L831	1401	1405	L82J7E3001307	L82J9E3001311	5
Saskatoon - Saskatchewan	L894	1501	1510	L82J0F3001490	L82J7F3001499	10
Saskatoon - Saskatchewan	L953	1601	1610	L82J9G3750158	L82JXG3750167	10
Sault Ste. Marie Ontario	L934	—	—	L82JXG3750038	L82JXG3750038	1
Sault Ste-Marie Transit Services - Ontario (ref. L686)	L641	135	139	L82U7C4500008	L82U6C4500016	5

CLIENT	ORDER	ROAD NUMBER		VIN (2NVV/4RKY...)		QTY
		FROM	TO	FROM	TO	
Sault Ste-Marie Transit Services - Ontario (ref. L751)	L754	—	—	L82U7D4500284	L82U7D4500284	1
St. Catharines Ontario	L879	1501	1504	L82J4F3001587	L82J4F3001590	4
St. Catharines Ontario	L882	1601	1605	L82J9G3750225	L82J9G3750229	5
St. Catharines Ontario	L898	1560	1560	S92J4F3001663	S92J4F3001663	1
St. John - New Brunswick	L272	—	—	S92U483000011	S92U483000011	1
St. John - New Brunswick	L273	—	—	S92U383000050	S92U383000050	1
St. John - New Brunswick	L871	40585	40586	L82J8F3001592	L82JXF3001593	2
St. John - New Brunswick	L939	40687	40687	L82J0G3750078	L82J0G3750078	1
St. John's - Newfoundland	L503	1066	1066	L82U4A3000071	L82U4A3000071	1
St. John's - Newfoundland	L687	1201	1209	L82U7C3000598	L82U2C3000606	9
St. John's - Newfoundland	L731	1310	1314	L82U3C3000842	L82U2C3000847	5
St. John's - Newfoundland	L808	1415	1419	L82J4E3001152	L82J1E3001156	5
St. John's - Newfoundland	L875	1520	1525	L82JXF3001478	L82J3F3001483	6
St. John's - Newfoundland	L930	1626	1630	L82J7F3001826	L82J9F3001830	5
Stratford - Ontario	L493	—	—	L82U2A3000019	L82U2A3000019	1
Stratford - Ontario	L634	—	—	L82UXB3000352	L82UXB3000352	1
Stratford - Ontario	L752	—	—	L82U9D3000863	L82U9D3000863	1
Stratford - Ontario	L893	—	—	L82J9F3001584	L82J0F3001585	2
Strathcona County Transit - Alberta	L523	2010	2010	L82U693000603	L82U693000603	1
Strathcona County Transit - Alberta	L580	2011	2023	L82U1A3000464	L82U8A3000476	13
Strathcona County Transit - Alberta	L659	2024	2028	L82U7B3000440	L82U4B3000444	5
Sudbury - Ontario	L465	791	795	L82U593000317	L82U793000321	5
Sudbury - Ontario	L552	801	808	L82U3A3000238	L82U0A3000245	8
Sudbury - Ontario	L632	811	817	L82U9B3000326	L82U4B3000332	7
Sudbury - Ontario	L740	831	833	L82U1D3000887	L82U5D3000889	3
Sudbury - Ontario	L890	851	855	L82JXF3001609	L82J6F3001641	5
Thunder Bay - Ontario	L488	—	—	L82U193000332	L82U593000334	3
Thunder Bay - Ontario	L614	—	—	L82UXB3000061	L82U3B3000063	3
Thunder Bay - Ontario	L662	20168	20168	L82U3B3000533	L82U7B3000535	3
Thunder Bay - Ontario	L739	—	—	L82U3D3000860	L82U7D3000862	3
Thunder Bay - Ontario	L806	—	—	L82J6E3001170	L82J8E3001171	2
Thunder Bay - Ontario	L863	—	—	L82J8F3001558	L82J6F3001560	3
Thunder Bay - Ontario	L944	—	—	L82J6G3750084	L82JXG3750086	3
Timmins - Ontario	L475	—	—	L82U493000311	L82U693000312	2
Timmins - Ontario	L550	—	—	L82U8A3000171	L82UXA3000172	2
Timmins - Ontario	L661	—	—	L82U9B3000486	L82U9B3000486	1
Timmins - Ontario	L720	12-98	12-98	L82U0C3000829	L82U0C3000829	1
Timmins - Ontario	L783	—	—	L82U8D3001017	L82UXD3001018	2
Timmins - Ontario	L839	—	—	L82J8E3001395	L82J8E3001395	1
Toronto Transit Commission - TTC - Ontario	L729	9000	9000	S92U9D3000905	S92U9D3000905	1
Toronto Transit Commission - TTC - Ontario	L738	9001	9026	S92J6D3001094	S92J7D3001119	26
Toronto Transit Commission - TTC - Ontario	L777	9027	9152	S92J7E3001123	S92J6E3001372	126
Toronto Transit Commission - TTC - Ontario	L859	8400	8400	L82J5F3001405	L82J5F3001405	1
Toronto Transit Commission - TTC - Ontario	L860	8401	8504	L82J0F3001554	L82JXF3001805	104

CLIENT	ORDER	ROAD NUMBER		VIN (2NVY/4RKY...)		QTY
		FROM	TO	FROM	TO	
Toronto Transit Commission - TTC - Ontario	L937	8510	8607	L82J9G3750001	L82J7G3750286	98
University of Alabama - Alabama	L961	7032	7033	L82J7G9775294	L82J9G9775295	2
Welland - Ontario	L991	-	-	L82J9G3750287	L82J9G3750287	1
Welland Ontario	L866			L82J9F3001648	L82J9F3001648	1
Welland Ontario	L933	—	—	L82J1G3750011	L82J1G3750011	1
Whitehorse - Yukon	L563	38	41	L82U3A3000255	L82U9A3000258	4
Whitehorse - Yukon	L784	43	43	L82U9D3001057	L82U9D3001057	1
Windsor - Ontario	L886	570	577	L82J8F3001818	L82J5F3001825	8
Woodstock - Ontario	L460	—	—	L82U693000309	L82U693000309	1
Woodstock - Ontario	L492	—	—	L82U4A3000040	L82U6A3000041	2
Woodstock - Ontario	L778	—	—	L82U2D3001014	L82U2D3001014	1
Woodstock - Ontario	L832	—	—	L82J9E3001342	L82J9E3001342	1
Woodstock - Ontario	L923	15-16	15-16	L82J9F3001746	L82J9F3001746	1
York Regional Transit - Ontario	L562	1080	1082	S92U2A3000420	S92U6A3000422	3
York Regional Transit - Ontario	L572	1083	1094	S92U3A3000569	S92U2A3000580	12
York Regional Transit - Ontario	L654	1370	1390	S92U1D3000946	S92U2D3000986	21
York Regional Transit - Ontario	L761	1391	1396	S92U6D3001008	S92UXD3001013	6
York Regional Transit - Ontario	L896	1501	1517	L82J2F3001619	L82JXF3001741	17
York Regional Transit - Ontario	L936	1518	1518	L82J3G3750012	L82J3G3750012	1
York Regional Transit - Ontario	L967	1601	1614	L82J2G9775414	L82J6G9775433	14

**WARNING**

Follow your internal safety procedures.

PROCEDURE

- 1.1. From inside the bus, on the seat plate, measure and mark 13 7/8" from the left edge of the insulation and 2 1/16" from the lower edge of the engine access opening (see Figure 1).

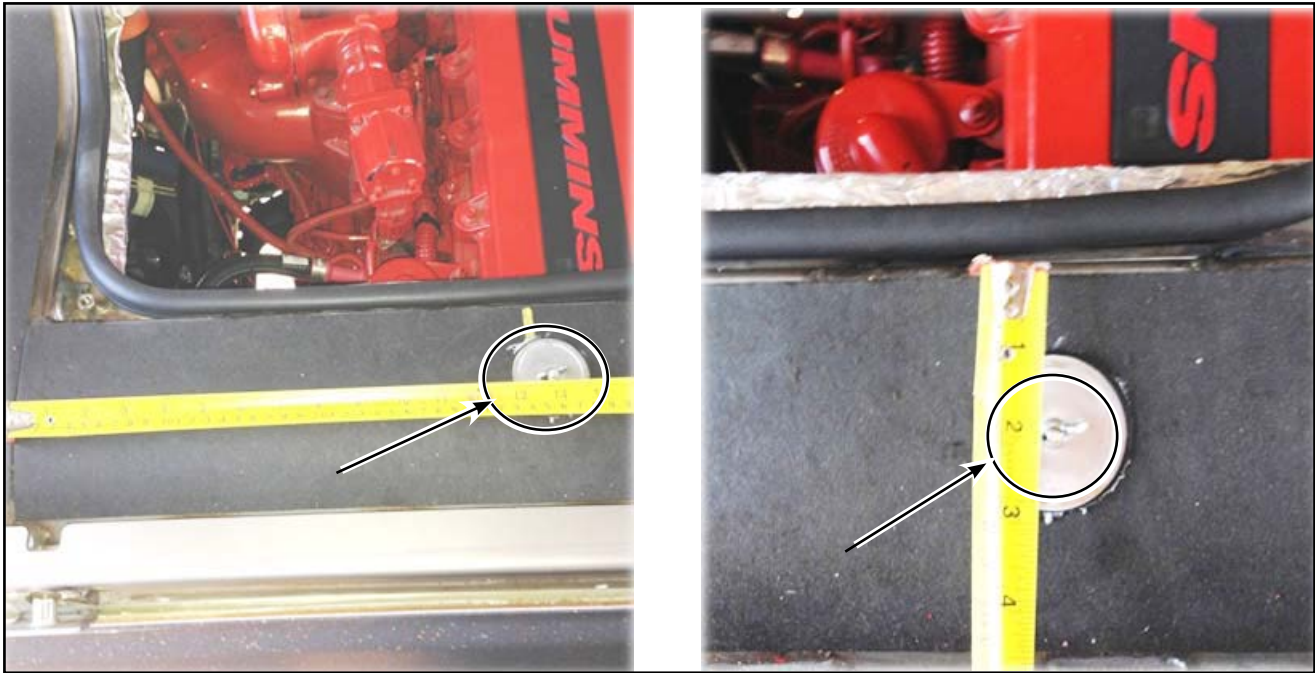


Figure 1 - Mark Measurements

- 1.2. Drill a $\varnothing 29\text{mm}$ ($\varnothing 1\ 1/8''$) hole in the seat plate, through the foam and the millennium panel using a hole saw or carbide tip hole cutter tool. Retain the foam (see Figure 2).

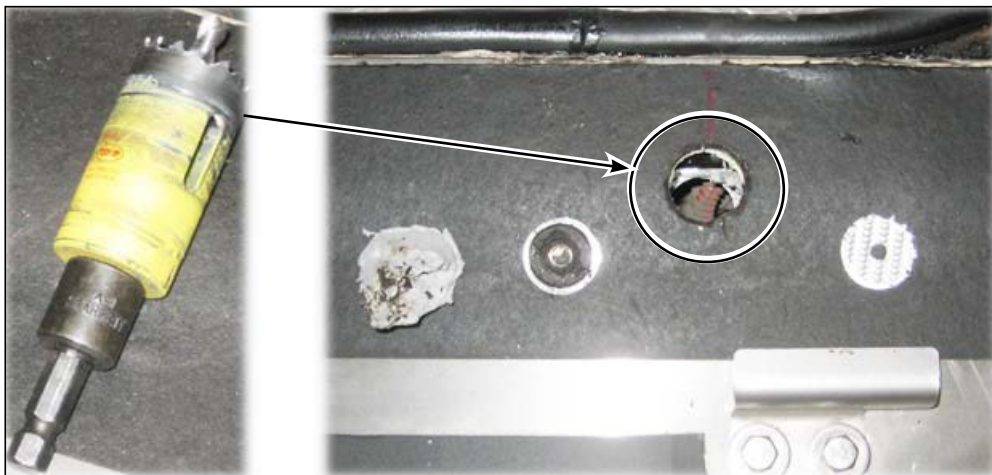


Figure 2 - Drill Hole

- 1.3. Remove all sharp edges on the millennium panel and clean with isopropyl alcohol (see Figure 3).



Figure 3 - Remove Sharp Edges and Clean with Isopropyl Alcohol

- 1.4. Install one 6-inch long strip of 2-inch wide high temperature aluminum foil tape on the millennium panel in a left-to-right orientation. Tape is to be placed over the previously drilled hole. Install two more strips of tape each 8 inches in length over the first strip of tape in a front to rear orientation (see Figure 4).

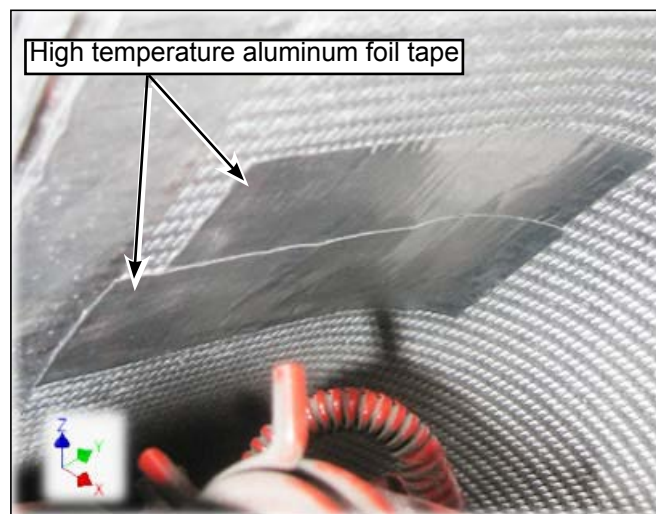


Figure 4 - Install Tape

- 1.5. Place the previously removed foam in the hole (see Figure 5).

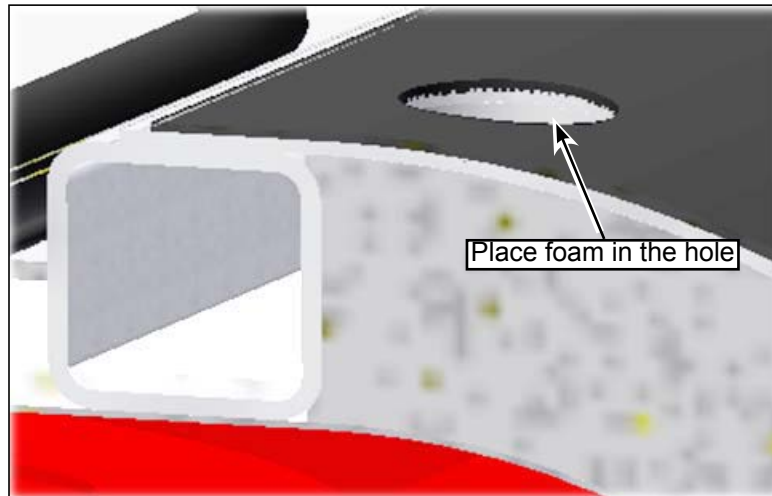


Figure 5 - Place Foam in the Hole

- 1.6. Measure 24 mm from the lower edge of the engine access opening and align plate N85564 with the hole (see Figure 6).

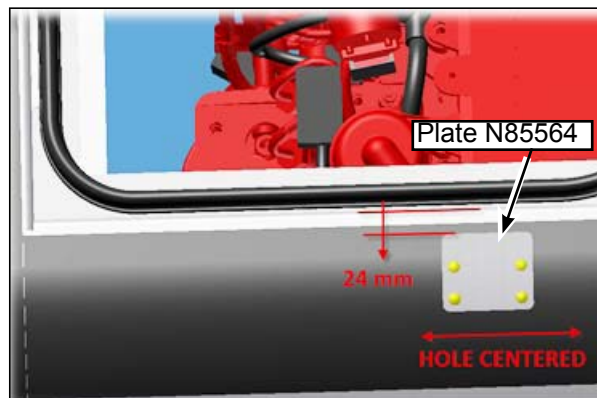


Figure 6 - Measurement for the Plate

- 1.7. Drill four holes $\varnothing 13/64$ " using N85564 as a template and clean the surface (see Figure 7).

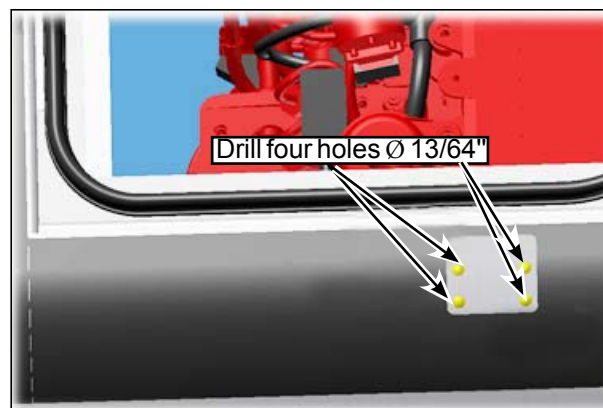


Figure 7 - Drill Four Holes $\varnothing 13/64$ "

- 1.8. Apply high temperature silicone sealant or equivalent around the drilled holes in the seat plate and also around the perimeter and the holes of the cover plate. Install the cover plate with four N81897 rivets. Wipe excess sealant, let dry for 10 minutes, clean and return the bus to service (see Figure 8).❖

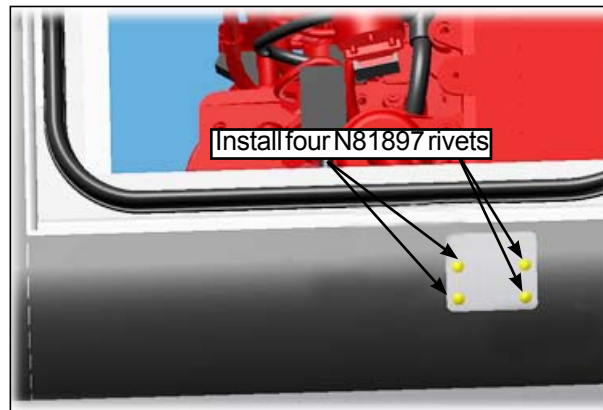


Figure 8 - Apply Silicone and Four Rivets