

June 11, 2016

04163 Version 1

## Power Tailgate Won't Open from the Outside in Cold Weather

### AFFECTED VEHICLES

| Year | Model | Trim   | VIN range                                |
|------|-------|--------|--|
| 2015 | MDX   | ALL    | ALL                                      |
| 2016 | MDX   | 2WD    | 5FRYD3H..GB000001 thru 5FRYD3H..GB004424 |
| 2016 | MDX   | SH-AWD | 5FRYD4H..GB000001 thru 5FRYD4H..GB013891 |

### SYMPTOM

The power tailgate doesn't open in temperatures near freezing or below, but will work in warmer temperatures.

### POSSIBLE CAUSES

The power tailgate outer handle switch is inoperative in cold weather.

### CORRECTIVE ACTION

Replace the power tailgate outer handle switch.

### PARTS INFORMATION

| Part Name           | Part Number   | Quantity |
|---------------------|---------------|----------|
| Switch Sub-Assembly | 74811-TZ5-A01 | 1        |

### WARRANTY CLAIM INFORMATION

The normal warranty applies.

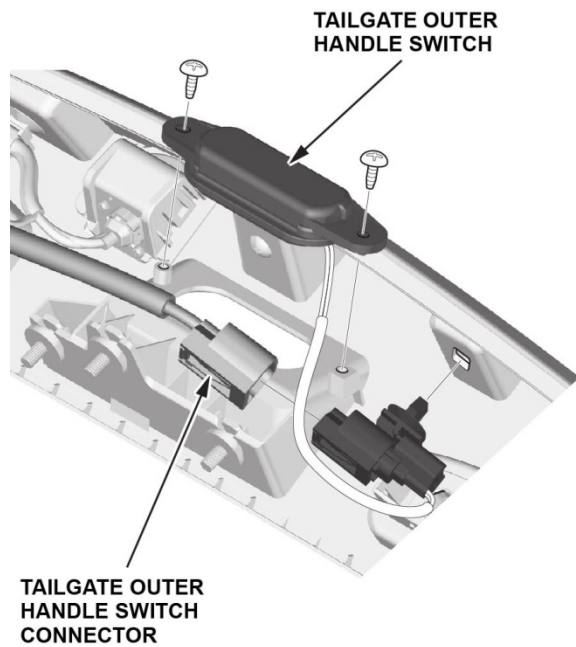
| Operation Number | Description                                     | Defect Code | Symptom Code | Flat Rate Time | Template ID | Failed Part Number |
|------------------|---|-------------|--------------|----------------|-------------|--------------------|
| 8231A7           | Replace the power tailgate outer handle switch. | 03214       | 03217        | 0.5 hr         | 16-031N     | 74811-TZ5-A01      |

Skill Level: Repair Technician

**CLIENT INFORMATION:** The information in this bulletin is intended for use only by skilled technicians who have the proper tools, equipment, and training to correctly and safely maintain your vehicle. These procedures should not be attempted by "do-it-yourselfers," and you should not assume this bulletin applies to your vehicle, or that your vehicle has the condition described. To determine whether this information applies, contact an authorized Acura automobile dealer.

## REPAIR PROCEDURE

1. Remove the rear license trim.
2. Disconnect the tailgate outer handle switch connector.



3. Remove the tailgate outer handle switch.
  4. Install the new tailgate outer handle switch.
  5. Connect the connector.
  6. Install the rear license trim.
- END