



Service Bulletin

PRELIMINARY INFORMATION

Subject: During PDI Front Wheel Opening Molding Pushpin Installation

Models: 2015-2017 Cadillac Escalade Models

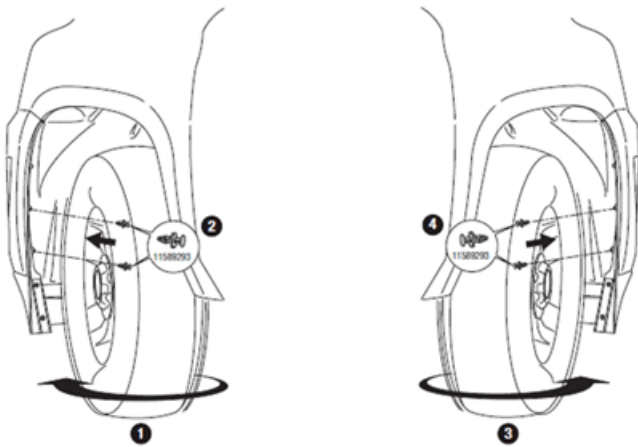
This PI was superseded to update Model Years. Please discard PIT5276A.

The following diagnosis might be helpful if the vehicle exhibits the symptom(s) described in this PI.

Condition/Concern

During the PDI the front wheel opening molding pushpins will need to be installed. Reference photo below.

Note: These pushpins with instructions will be shipped with the truck, see below.



Warranty Information

The labor time for installing the wheel opening pushpins is included in the PDI time.

Please follow this diagnostic or repair process thoroughly and complete each step. If the condition exhibited is resolved without completing every step, the remaining steps do not need to be performed.

GM bulletins are intended for use by professional technicians, NOT a "do-it-yourselfer". They are written to inform these technicians of conditions that may occur on some vehicles, or to provide information that could assist in the proper service of a vehicle. Properly trained technicians have the equipment, tools, safety instructions, and know-how to do a job properly and safely. If a condition is described, DO NOT assume that the bulletin applies to your vehicle, or that your vehicle will have that condition. See your GM dealer for information on whether your vehicle may benefit from the information.



WE SUPPORT VOLUNTARY TECHNICIAN CERTIFICATION