



# Service Bulletin

File in Section: -

Bulletin No.: 16-NA-178

Date: June, 2016

## TECHNICAL

**Subject:** Service Side Detection System Message in DIC, DTC U0232, U0233 May Be Set

**Attention:** This Bulletin also applies to Export vehicles sold in the Middle East (RPO MAM), South America (RPO CLS) and China (RPO CZ2) equipped with Side Active Safety Obstacle Detection (RPO UFT).

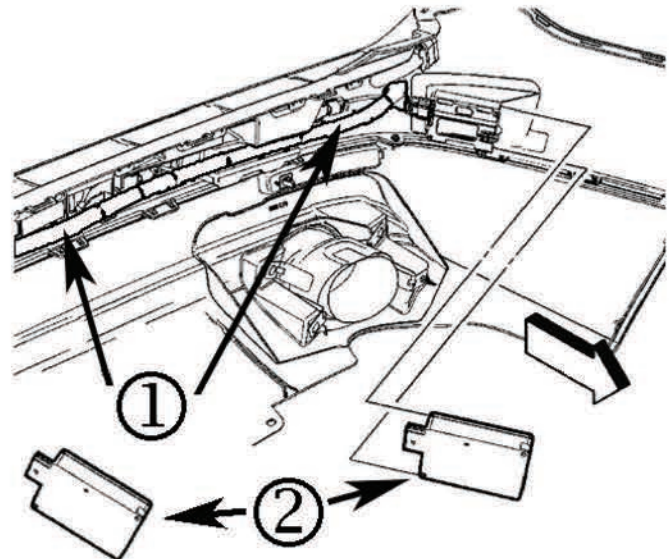
Brand:	Model:	Model Year:		VIN:		Engine:	Transmission:
		from	to	from	to		
Buick	Enclave	2013	2014			All	All
Chevrolet	Traverse	2013	2014			All	All
GMC	Acadia	2013	2014			All	All

<b>Condition</b>	Some customers may comment that a Service Side Detection System message is displayed in the Driver Information Center (DIC) or DTC U0232, U0233 may be set.
<b>Cause</b>	This condition may occur with water intrusion into the Side Blind Zone Module harness connector, and may cause corrosion of the terminals or water seepage into the module.

### Correction

If the vehicle displays the subject message or codes, the module and harness connectors should be inspected for corrosion and replaced if needed (the replacement harness will have a cover over the connector body to protect the connection), and dielectric grease applied accordingly to prevent any concerns in the future.

### Service Procedure:



4296968

1. Inspect the harness (1) and module (2) connectors for corrosion. If no issues are found, refer to *Side Blind Spot Alert System Malfunction* in SI.
2. If either harness or module connectors show signs of corrosion, replace the harness and both modules. Refer to *Side Object Sensing Alert Module Replacement* in SI.



4078535

**Note:** Only GM Dielectric Lubricant must be used for this procedure. No substitutions are allowed.

- Lubricate the harness and module connectors with dielectric lubricant to ensure corrosion-free connections.

**Parts Information**

Side Blind Zone Harness (Traverse)	84004712
Side Blind Zone Harness (Enclave)	84004713
Side Blind Zone Harness (Acadia)	84004718
Module, Side Object Sensing Alert	22960672
Lubricant, Dielectric	12377900 (U.S.) 10953529 (Canada)

**Warranty Information**

Labor Operation	Description	Labor Time
6480258*	Inspect and Replace Rear Sensing Harness and Modules	1.7 hrs
*This is a unique Labor Operation for Bulletin use only.		

Version	1
Modified	

