



INSTRUCTION TO SERVICE

ITS: 6239	
SECTION:	Body
WRITTEN BY:	Kevin Robinson
SUBJECT:	MiDi - Replace hinges on side access doors.

ITS6239

THIS DOCUMENT AND THE CONTENTS DISCUSSED HEREIN ARE THE CONFIDENTIAL AND PROPRIETARY INFORMATION OF NEW FLYER INDUSTRIES CANADA ULC AND NEW FLYER OF AMERICA INC. AND ARE DISCLOSED BY NEW FLYER IN CONFIDENCE. THIS DOCUMENT AND THE CONTENTS HEREIN ARE NOT TO BE DISCLOSED BY THE INTENDED RECIPIENT WITHOUT THE PRIOR WRITTEN AUTHORIZATION OF NEW FLYER. ANY UNAUTHOIZED DISCLOSURE, REPRODUCTION OR OTHER DISTRIBUTION OF THIS DOCUMENT OR INFORMATION IS STRICTLY PROHIBITED AND MAY RESULT IN ACTION BEING TAKEN AGAINST THE PARTY MAKING THE UNAUTHORIZED DISCLOSURE. THIS DOCUMENT AND ALL COPIES HEREOF MUST BE RETURNED TO NEW FLYER UPON REQUEST.

PROCEDURE:

1. Turn the main battery disconnect switch to the “OFF” position.
2. Open the doser access door on the curb side of the bus
3. Pull the pins and remove the doser access door from the bus.
 - ☞ **NOTE:** Care must be taken not to damage the paint.
4. Remove the hinge halves from both the access door and the bus by removing the two bolts each securing them. Retain all hardware for re-use.

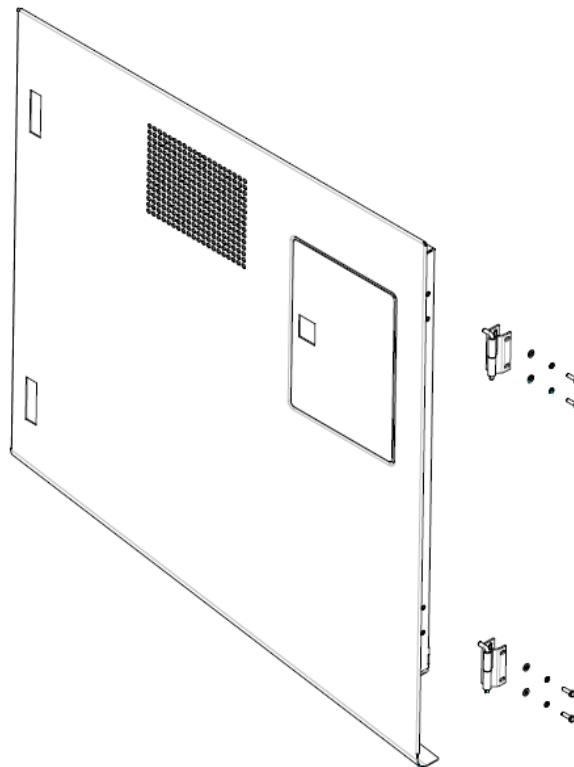


Figure 1: Hinge install – Doser Access Door

5. Install the matching halves of the new hinge assemblies (NF PN 96100152) in the locations that the previous hinges were removed from on the bus and the access door. Re-use hardware, removed previously. Use Loctite 232 on the threads of the hardware prior to installation
6. Adjust the fitment of the door as required to maintain body lines.
 - ☞ **NOTE:** Door latches may also need to be adjusted to latch properly.
7. Secure the new doser access door hinge pins in place using the provided split pin (NF PN A-87682386).
8. Open the radiator access door on the street side of the bus
9. Pull the pins and replace with the new pins (NF PN 6466157) supplied for the radiator access door hinges

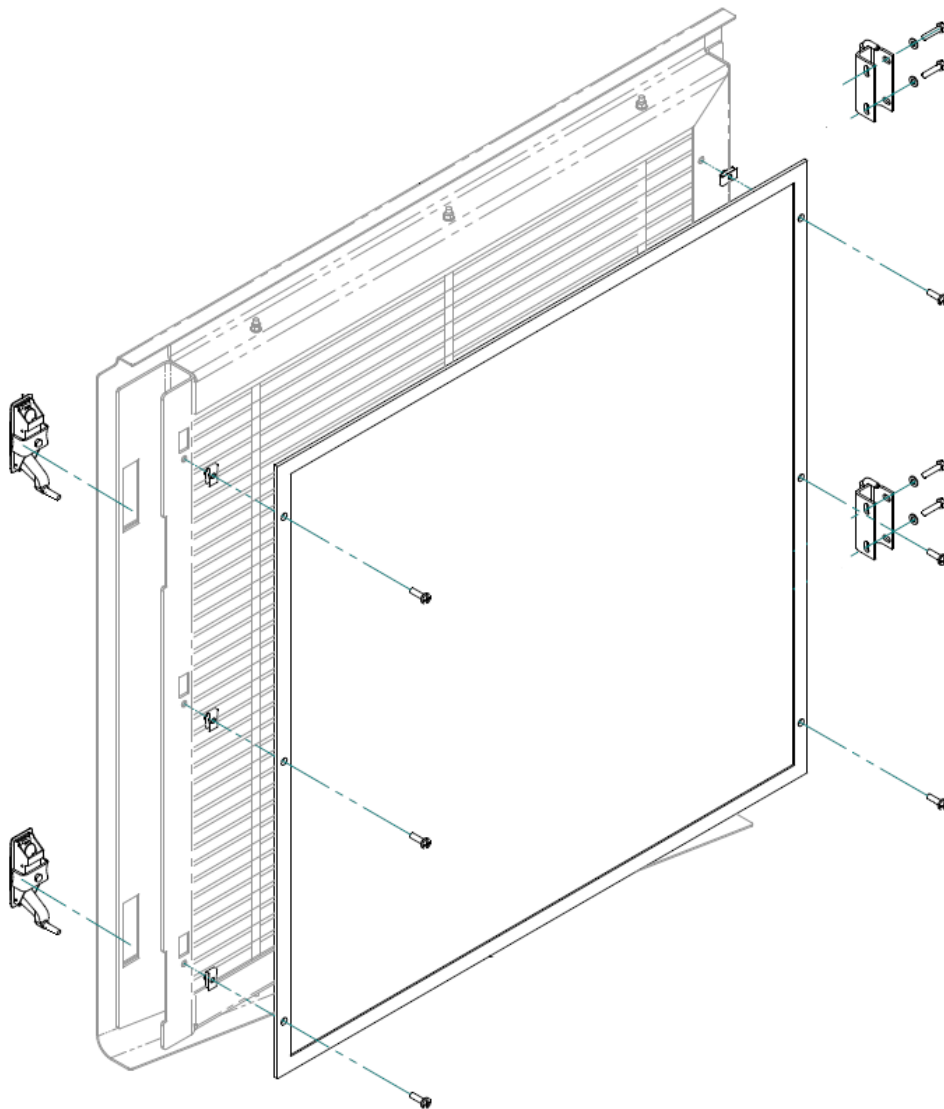


Figure 2: Hinge install – Radiator Access Door

10. Adjust the fitment of the door as required to maintain body lines.
11. Secure the new radiator access door hinge pins in place using the provided split pin (NF PN A-87682386).
12. If necessary, lower coach in accordance with the New Flyer Service Manual.
13. Turn the main battery disconnect switch to the “ON” position.



NEW FLYER

LABOUR ESTIMATE

	Operation	Men	Hours	Labour Time M X HR
1	Replace hinges on side access doors.	1	1.0	1.0

PARTS REQUIRED

Item	Part Number	Description	Qty. per Coach	Units	Notes
1	6466157	HINGE PIN - RADIATOR DOOR	2	EA	
2	A-96100152	ASSY HINGE DOSER ACCESS DOOR	2	EA	
3	A-87682386	SPLIT PIN 1/16"X1/2" : STAINLESS STEEL	4	EA	
4	NPN	Loctite 232	AR	AR	Source local