



# Service Bulletin

File in Section: -

Bulletin No.: 16-NA-001

Date: January, 2016

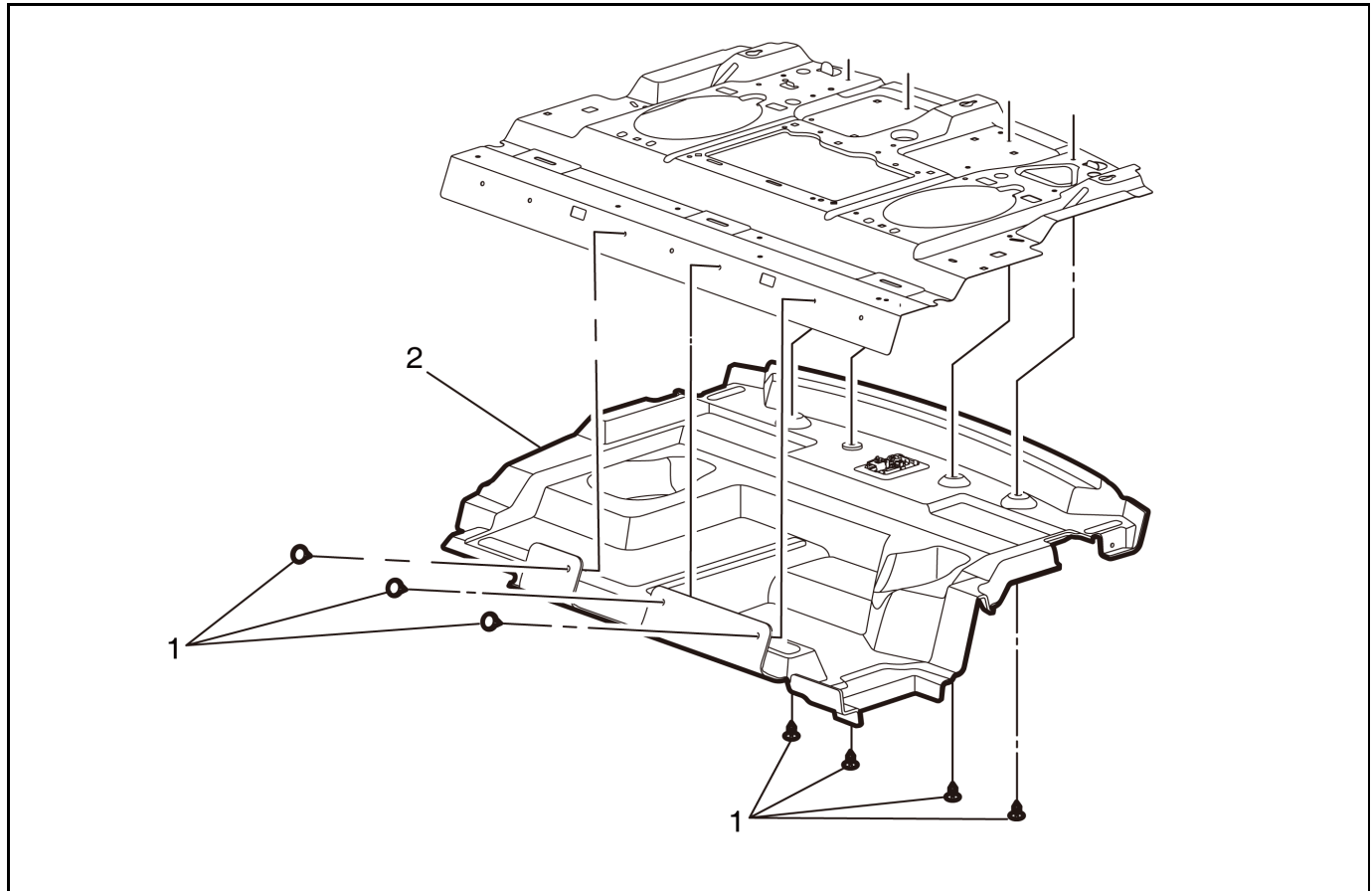
## TECHNICAL

**Subject:** Sharp Edge on Underside of Trunk Shelf

Brand:	Model:	Model Year:		VIN:		Engine:	Transmission:
		from	to	from	to		
Buick	LaCrosse	2015	2016			All	All

<b>Condition</b>	Some customers may comment on a sharp edge on the underside of the trunk shelf.
<b>Cause</b>	This may be caused by the underside trim piece (rear window panel storage compartment cover) being removed from some vehicles, leaving a sharp edge.
<b>Additional Options</b>	Equipped with RPO U65 or UQS

### Correction



3291448

If you encounter a vehicle with the above concern, install the rear window panel stowage compartment cover. Refer to Rear Window Panel Stowage Compartment Cover Replacement in SI for installation instructions.

## Parts Information

Description	Part Number	RPO
COVER ASM-R/WDO PNL STOW COMPT	90921263	UQS
COVER ASM-R/WDO PNL STOW COMPT	90921264	U65

## Warranty Information

Labor Operation	Description	Labor Time
1080328*	Rear Window Panel Stowage Compartment Cover Installation Only	0.5 hr
*This is a unique Labor Operation for Bulletin use only.		

Version	1
Modified	

