



Service Bulletin

File in Section: -

Bulletin No.: 16-NA-013

Date: January, 2016

TECHNICAL

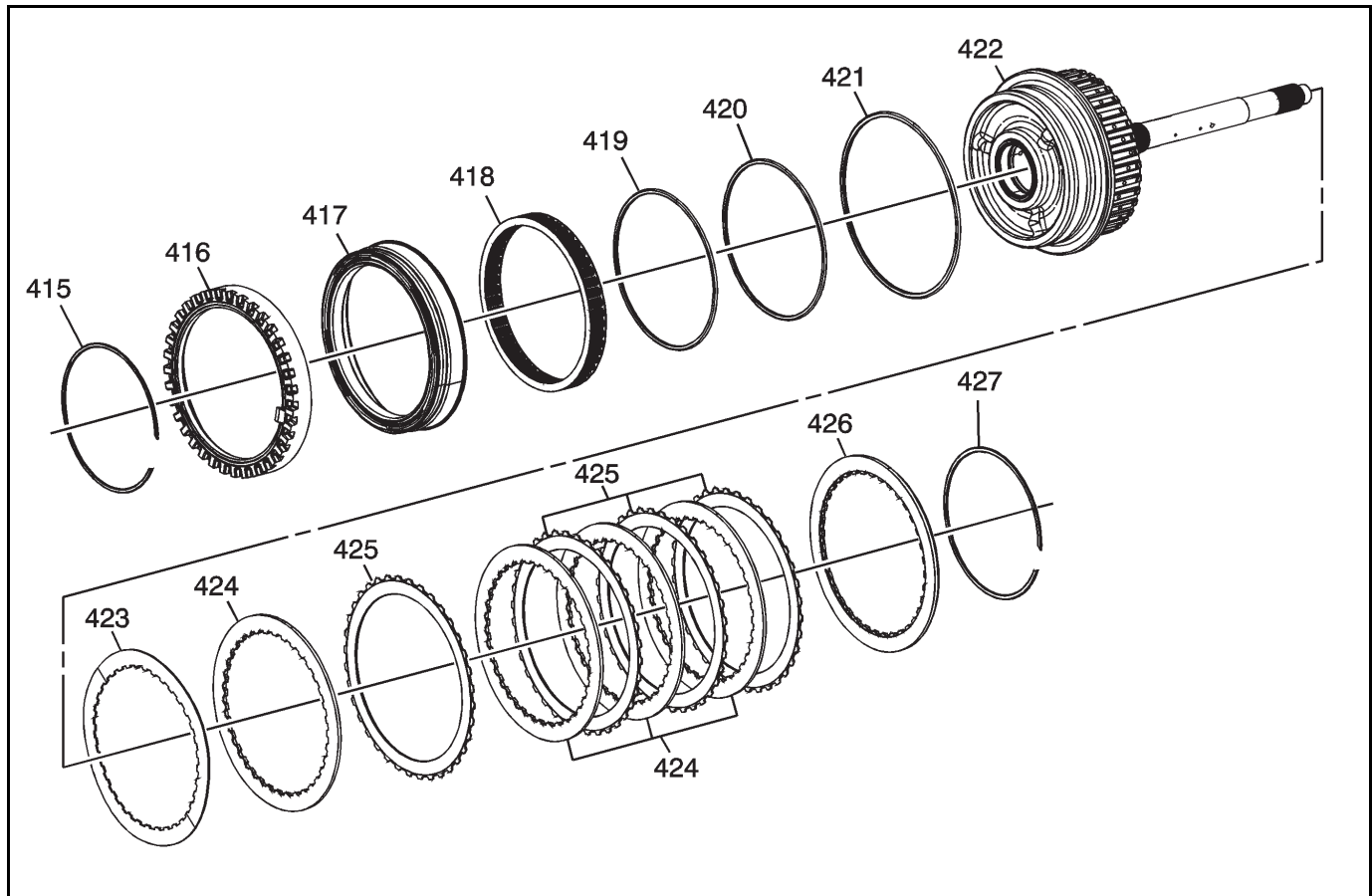
Subject: No Reverse, No Third, DTC P0716, P0717

Attention: This Bulletin also applies to any of the models that may be Export vehicles.

Brand:	Model:	Model Year:		VIN:		Engine:	Transmission:
		from	to	from	to		
Buick	Enclave, LaCrosse, Regal	2016				All	MH2, MHM, M7U, M7V, M7W, M7X
Cadillac	XTS, SRX						
Chevrolet	Equinox, Impala (VIN 1), Impala (VIN W), Traverse						
GMC	Acadia, Terrain						

Condition	Some customers may comment on a condition of no Reverse. Some may also comment on no 3rd gear. Technicians may find an erratic input speed signal. DTCs P0716 and/or P0717 may be found as active or history DTCs.
Cause	This condition may be caused by the Input Shaft Speed Sensor Reluctor Ring Retainer Ring being out of the groove.

Correction



1725896

Replacement of the Retainer Ring (415), Input Shaft Speed Sensor Reluctor Wheel (416), 3-5-Reverse Clutch Piston (417) and 3-5-Reverse and 4-5-6 Clutch Housing Assembly (422). Inspect and replace other distressed parts as needed.

Service Procedure

Refer to *3-5-Reverse and 4-5-6 Clutch Housing Overhaul* in SI.

Warranty Information

For vehicles repaired under warranty, use:

Labor Operation	Description	Labor Time
8466450	3-5-Reverse Clutch Plate Replacement	Use Published Labor Operation Time

Version	1
Modified	

GM bulletins are intended for use by professional technicians, NOT a "do-it-yourselfer". They are written to inform these technicians of conditions that may occur on some vehicles, or to provide information that could assist in the proper service of a vehicle. Properly trained technicians have the equipment, tools, safety instructions, and know-how to do a job properly and safely. If a condition is described, **DO NOT** assume that the bulletin applies to your vehicle, or that your vehicle will have that condition. See your GM dealer for information on whether your vehicle may benefit from the information.



WE SUPPORT VOLUNTARY
TECHNICIAN
CERTIFICATION