

© 2016 Mazda Motor of America, Inc.

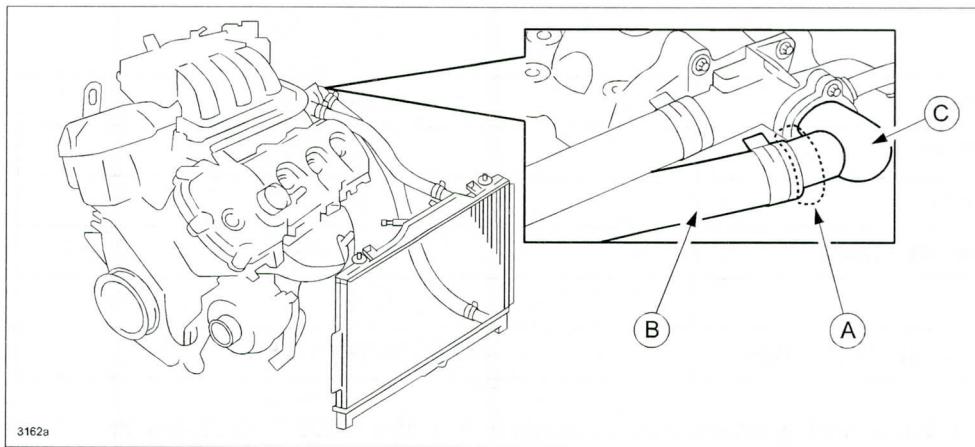
<b>Subject:</b> <b>ENGINE COOLANT LEAK FROM LOWER RADIATOR HOSE</b>	<b>Bulletin No:</b> 01-008/16
	<b>Last Issued:</b> 02/26/2016

## APPLICABLE MODEL(S)/VINS

2007-2015 CX-9

## DESCRIPTION

Some vehicles may exhibit an engine coolant leak (A) between the lower radiator hose (B) and the thermostat housing (C).



The lower radiator hose has been modified to improve sealing performance.

Customers having this concern should have their vehicle repaired using the following repair procedure.

## REPAIR PROCEDURE

1. Verify the customer concern.
2. Replace the lower radiator hose with a new part according to the instructions on MS3 online or the Workshop Manual (section 01-12 RADIATOR REMOVAL/INSTALLATION).
3. Verify the repair.

**Bulletin No:** 01-008/16  
© 2016 Mazda Motor of America, Inc.

**Last Issued:** 02/26/2016

## PART(S) INFORMATION

Part Number	Description	Qty.	Notes
CAY1-15-18Y	Radiator, Lower Hose	1	---

## WARRANTY INFORMATION

**NOTE:**

- This warranty information applies only to verified customer complaints on vehicles eligible for warranty repair.
- This repair will be covered under Mazda's New Vehicle Limited Warranty term.
- Additional diagnostic time cannot be claimed for this repair.

Warranty Type	A
Symptom Code	77
Damage Code	9K
Part Number Main Cause	CAY1-15-18Y
Quantity	1
Operation Number / Labor Hours:	XXM13XRX / 0.8 Hrs.

**NOTE:** Claim lost coolant by entering the applicable part number (0000-77-500E-20) and the quantity used in Related Part(s).