

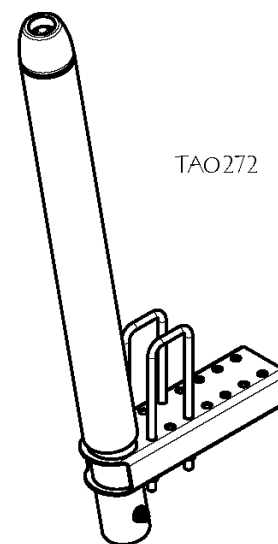
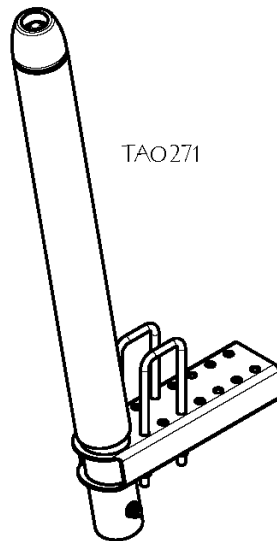
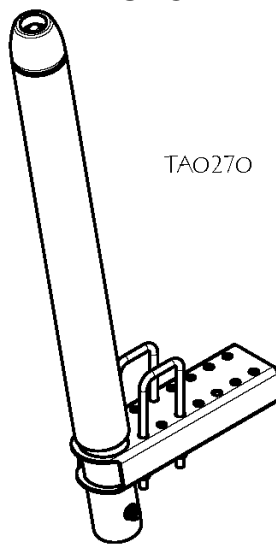
24 INCH ROLLER LOADGUIDES QUICK DETACH SOFTUBE STYLE

TA0270 – 2X3 FRAME

TA0271 – 2X4 FRAME

TA0272 – 2X5 FRAME

PARTIALVIEWS
SHOWN



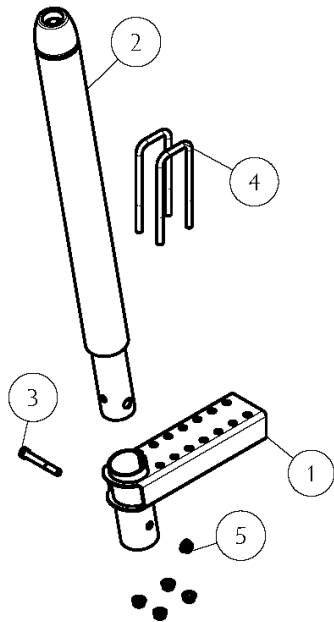
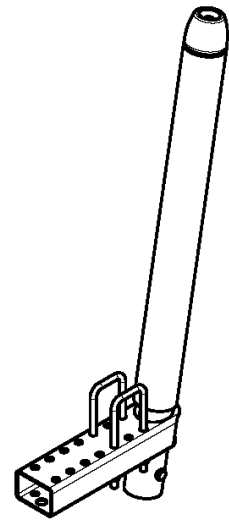
Open hardware box and bag and sort parts.

The recommended mounting of the loadguide is to the bottom side of the frame. Place square U-bolts over the side frame and thru the holes in the adjustable roller loadguide weldment at the width desired and secure with flange locknuts. Do not tighten at this time.

Slide the roller load guide assembly into the adjustable roller loadguide weldment. Insert the hex bolt thru the hole in the tube and the corresponding hole in the load guide, and out thru the hole in the tube. Secure with the flange locknut. Do not tighten at this time.

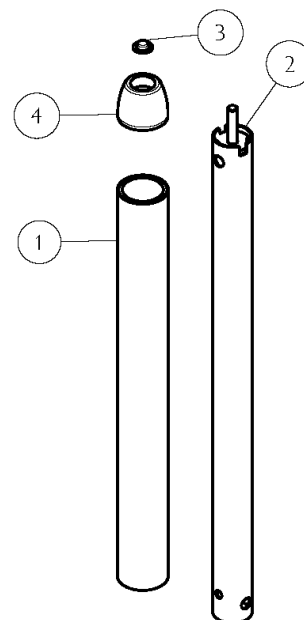
Repeat on the other side of the trailer.

When complete tighten all hardware.

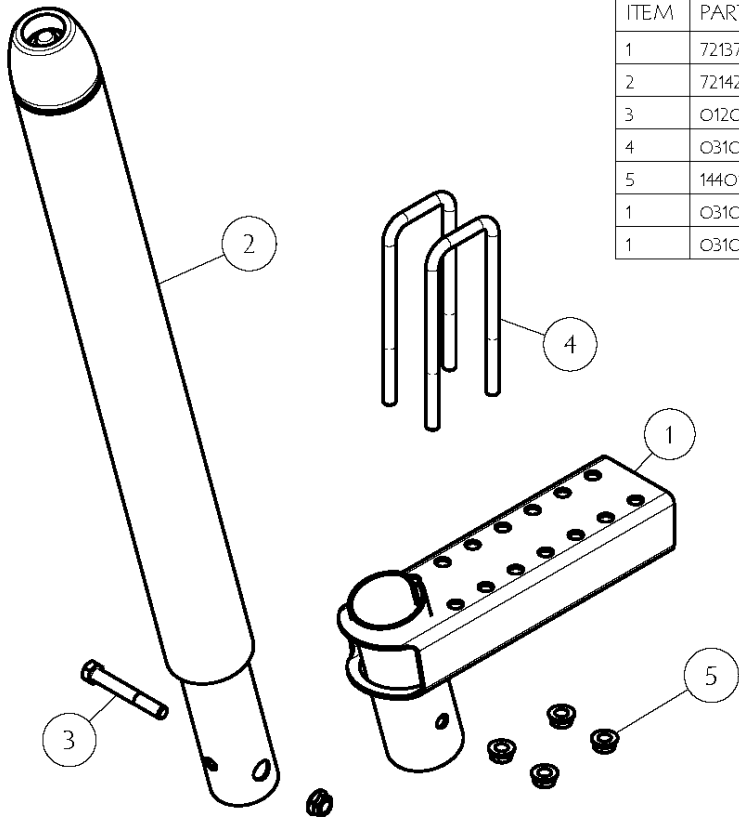


ITEM	PART #	DESCRIPTION	QTY	NOTE
1	72137	WMENT ADJUST BASE ROLLER LOAD GUIDE	2	
2	72142	ROLLER LOADGUIDE ASSEMBLY	2	
3	O120052	HH 3/8-16 X 2 3/4 CS GR5	2	
4	O310410	SUB 3/8 X 2 7/16 X 6	4	
5	1440101	HEX LOCKNUT FLANGE 3/8-16 W/T	10	

72142 ROLLER LOADGUIDE ASSEMBLY



ITEM	PART #	DESCRIPTION	QTY	NOTE
1	72134	LOADGUIDE TUBE HDPE WITH FLEX SKIN	1	
2	72141	WMENT ROLLER LOAD GUIDE TUBE	1	
3	1410219	PUSHNUT PALNUT 1/2 ZP	1	
4	3510056	ROLLER 2 1/2IN END CAP WITH 1/2	1	



ITEM	PART #	DESCRIPTION	QTY	NOTE
1	72137	WMENT ADJUST BASE ROLLER LOAD GUIDE	1	
2	72142	ROLLER LOADGUIDE ASSEMBLY	1	
3	O12OO52	HH 3/8-16 X 2 3/4 CS GR5	1	
4	O31O410	SUB 3/8 X 2 7/16 X 6	2	A
5	144O101	HEX LOCKNUT FLANGE 3/8-16 W/T	5	
1	O31O411	SUB 3/8 X 2 7/16 X 7	2	A
1	O31O412	SUB 3/8 X 2 7/16 X 8	2	A

0310410 USED ON 2X3
 0310411 USED ON 2X4
 0310412 USED ON 2X5