



# Technical Journal

TITLE:

**Drive-E: Low oil level message in Driver Information Module (DIM)**

<b>REF NO:</b> TJ 31216	<b>ISSUING DEPARTMENT:</b> Technical Service	<b>CAR MARKET:</b> United States and Canada	
<b>PARTNER:</b> 3 US 7510 Volvo Car USA		<b>ISSUE DATE:</b> 2016-04-13	<b>STATUS DATE:</b> 2016-04-21
<b>FUNC GROUP:</b> 2200	<b>FUNC DESC:</b> Lubricating and oil system	Page 1 of 10	

“Right first time in Time”

## Attachment

File Name	File Size
TJ 31216.pdf	3.6904 MB

## Vehicle Type

Type	Eng	Eng Desc	Sales	Body	Gear	Steer	Model Year	Plant	Chassis range	Struc Week Range
1XX	26						2015-2016		0000001-9999999	201346-201604
1XX	40						2015-2016		0000001-9999999	201346-201604

## CSC Customer Symptom Codes

Code	Description
AZ	Lubrication and oil system/Excessive oil consumption
BU	Lubrication and oil system/Incorrect fluid level
7G	Text window and warning symbol/Yellow symbol and text message
EA	Text window and warning symbol/Red symbol and text message

## VST Operation Number

VST Operation Number	Description
98623-2	Pistons replace acc. to TJ31216



**DTC** Diagnostic Trouble Codes

**Text**

**DESCRIPTION:**

If an engine still has a high level of oil consumption despite following TJ30087, follow the actions described under **SERVICE**.

**SERVICE:**

From engine serial number: 1501327, engines have been modified from engine factory.

For service: Change to new pistons + piston rings according the attached service method.

**VEHICLE REPORT:**

Yes, please submit a Vehicle Report if the service solution described in this TJ has no effect. Use concern area "Vehicle Report" and sub concern area "Support not needed", use function group 2200.

**To view TJ attachment continue to next page. This TJ has one attachment.**



## Volvo Car Customer Service

TJ-31216

<b>Title</b>	Piston	<b>Page</b>	1 ( 8 )
<b>Action</b>	Replacement	<b>Operation number:</b>	98623-2

<b>Issue</b>	<b>Date</b>	<b>Reason</b>
1	2016-02	First issue

### Affected vehicles

Model year	Model	Engine
2015, 2016	S60 (11-)	B4204T11, T12
2016	S60 Inscription	B4204T11
2015, 2016	S80 (07-)	B4204T11, T12
2015, 2016	V60	B4204T11, T12
2015, 2016	XC60	B4204T11, T12

### Materials

<b>Materials</b>	<b>Qty.</b>	<b>Part No.</b>	<b>Notes</b>
Engine oil	5.9 Liters		
Piston kit	4.0	31493184	B4204T11, T12

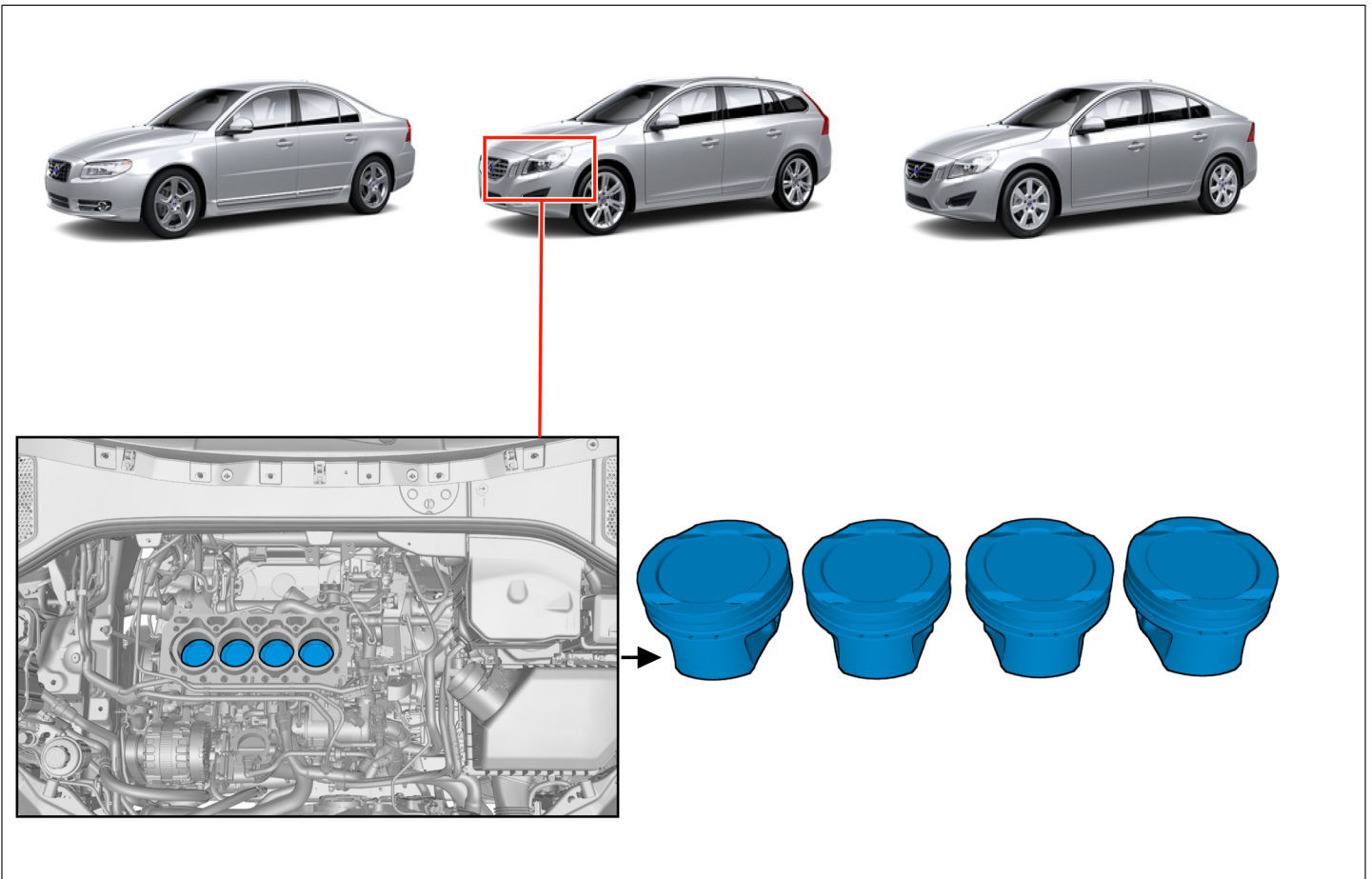
### Special tools

<b>Description</b>	<b>Part No.</b>
Holder (remov.piston/connecting rod) B 200-B 6304	999 5746

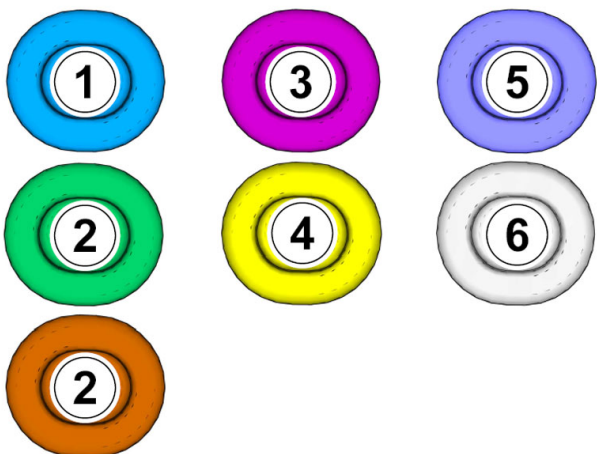
**Equipment**

<b>Designation</b>	<b>Part No.</b>
Piston ring pliers	
Piston ring compressor	

**Removal**



**Color symbols**

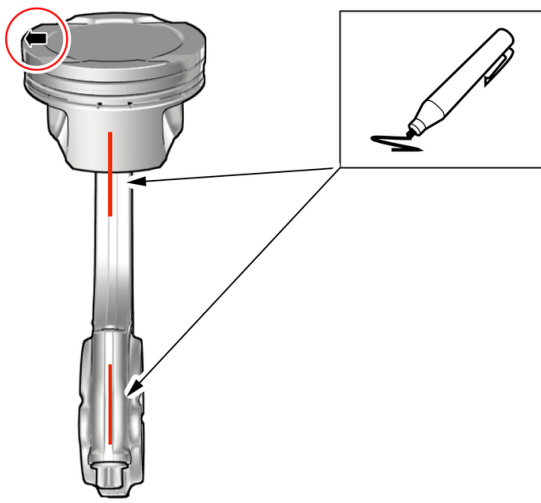


**Note!** This colour chart displays (in colour print and electronic version) the importance of the different colours used in the images of the method steps.

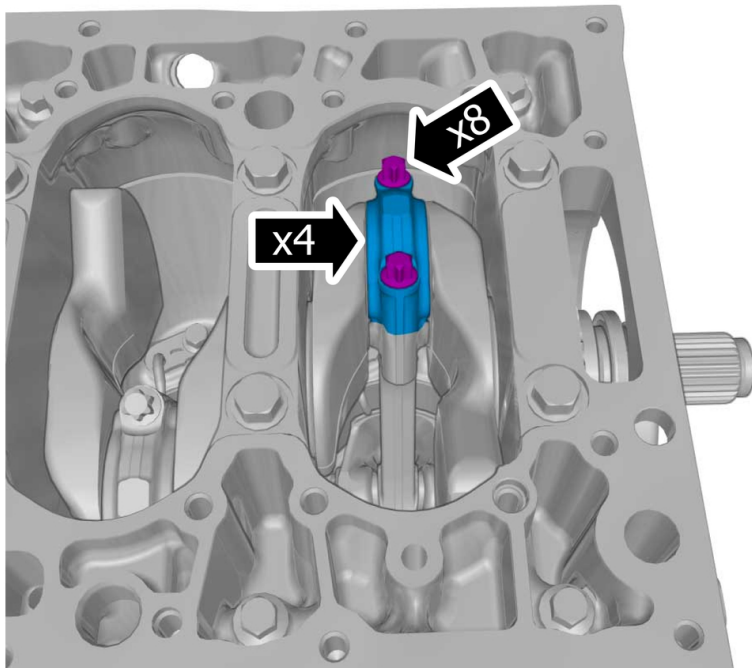
- 1 . Used for focused component, the component with which you will do something.
- 2 . Used as extra colors when you need to show or differentiate additional parts.
- 3 . Used for attachments that are to be removed/installed. May be screws, clips, connectors, etc.
- 4 . Used when the component is not fully removed from the vehicle but only hung to the side.
- 5 . Used for standard tools and special tools.
- 6 . Used as background color for vehicle components.

Remove the cylinder head , refer to:  
 Removal, replacement and installation  
 2 - Engine with mountings and equipment  
 21 - Engine  
 211 - cylinder head

Remove balance shaft unit , refer to:  
 Removal, replacement and installation  
 2 - Engine with mountings and equipment  
 21 - Engine  
 215 - transmission

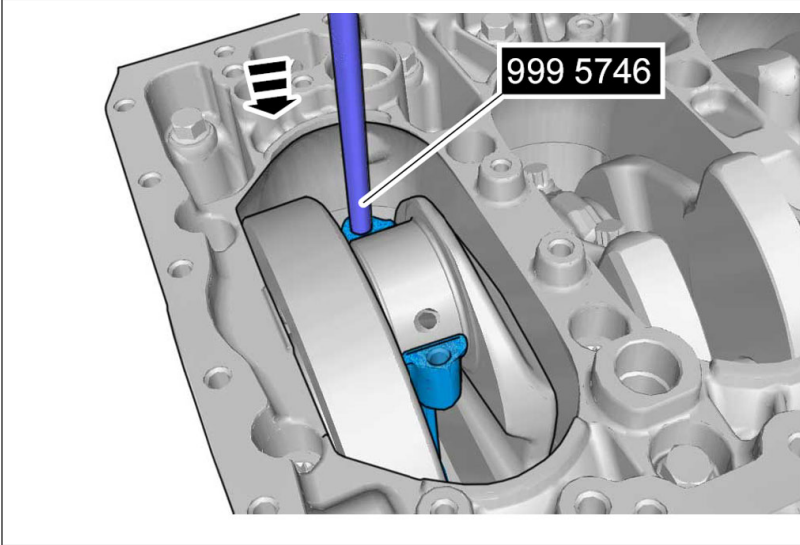


**Caution! Note the position of the component before removal.**



**Caution! Take extra care when handling the components.**

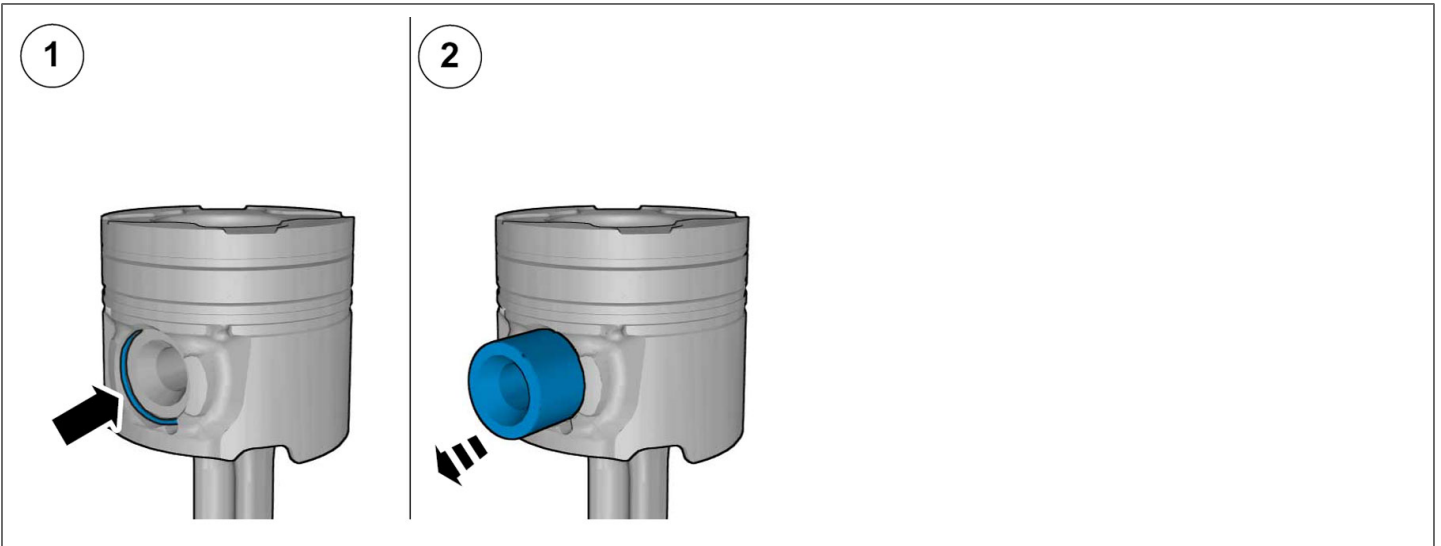
Remove the screws.  
 Remove the marked part.



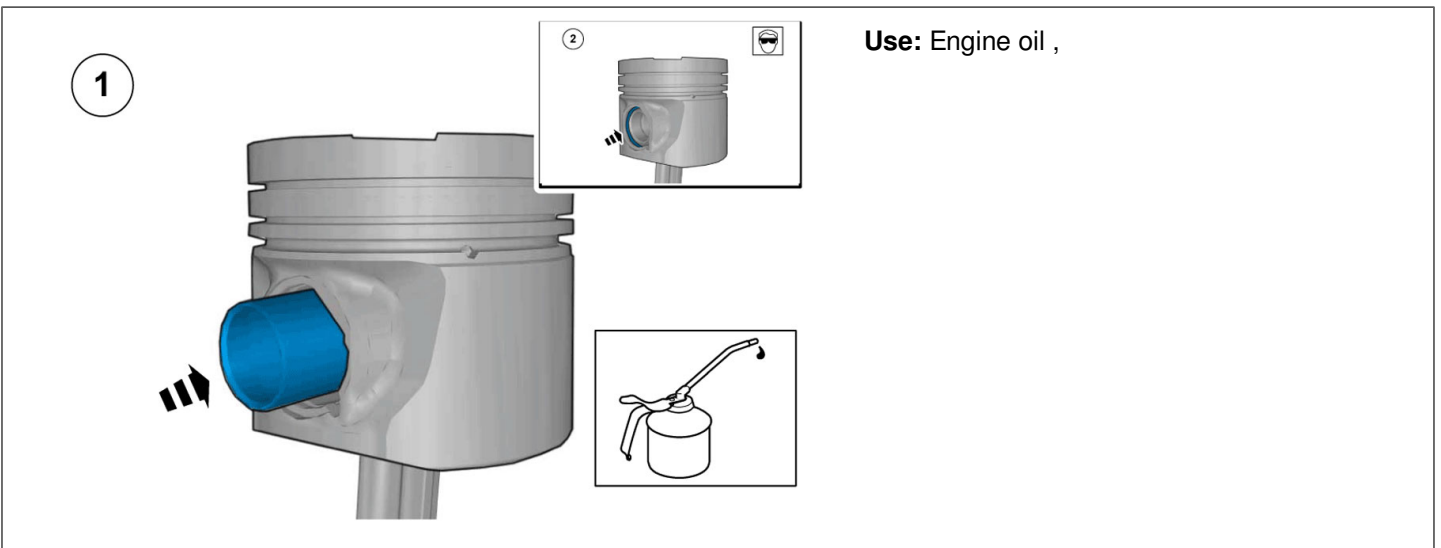
**Caution! Take extra care when handling the components.**

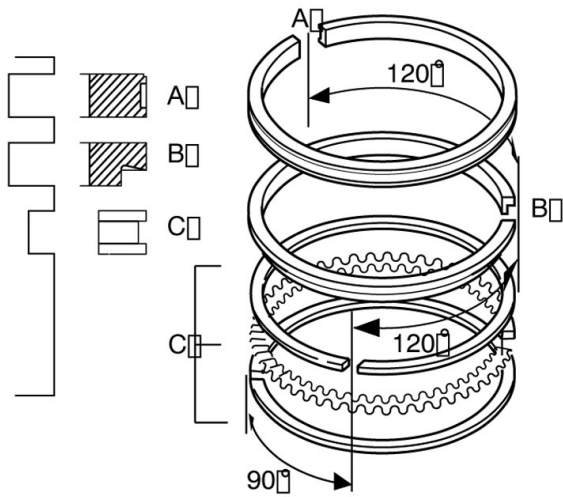
Special Tool: T9995746, Holder (remov.piston/ connecting rod) B 200-B 6304

Remove the marked part.



**Installation**



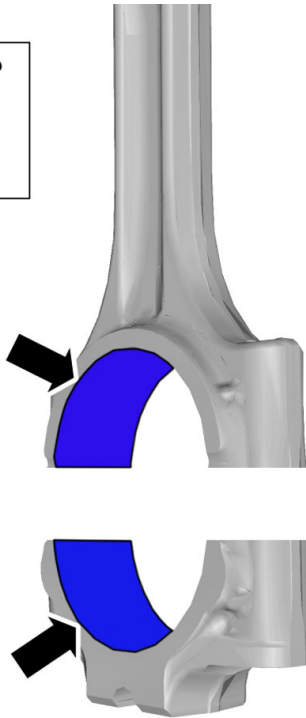
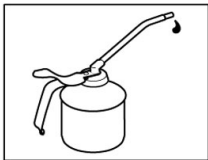


**Caution!** Make sure that the piston rings can be easily rotated by hand in the piston ring grooves.

**Note!** Text or marking on piston ring A must be face up.

**Note!** The piston rings must not be expanded more than necessary.

**Use:** Piston ring pliers

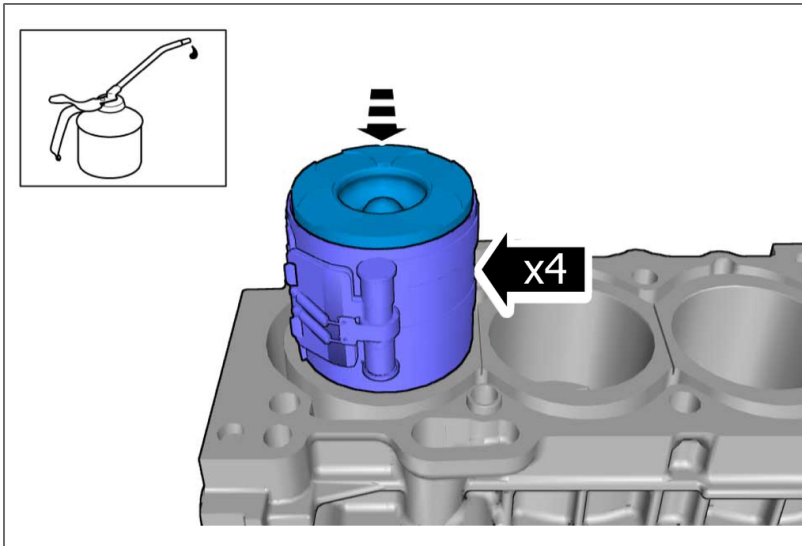
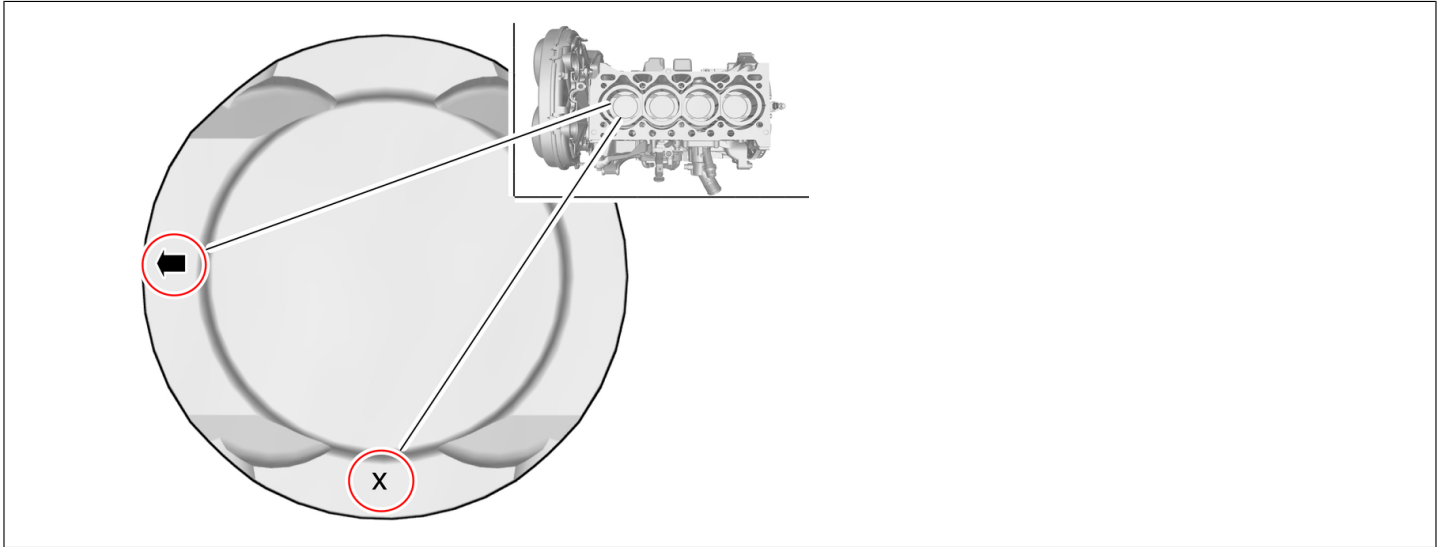


**Warning!** Make sure that the component is positioned correctly.

**Caution!** Make sure that the mating faces are clean and free of foreign material.

**Use:** Engine oil ,

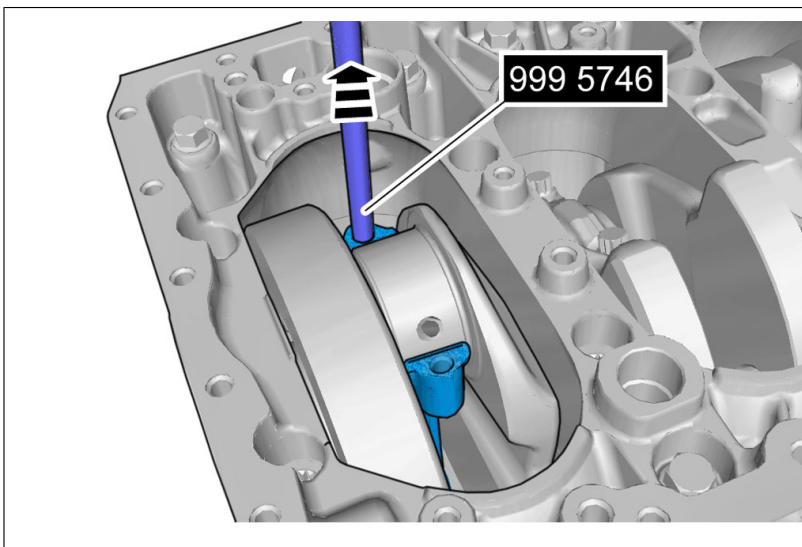




**Caution! Take extra care when handling the components.**

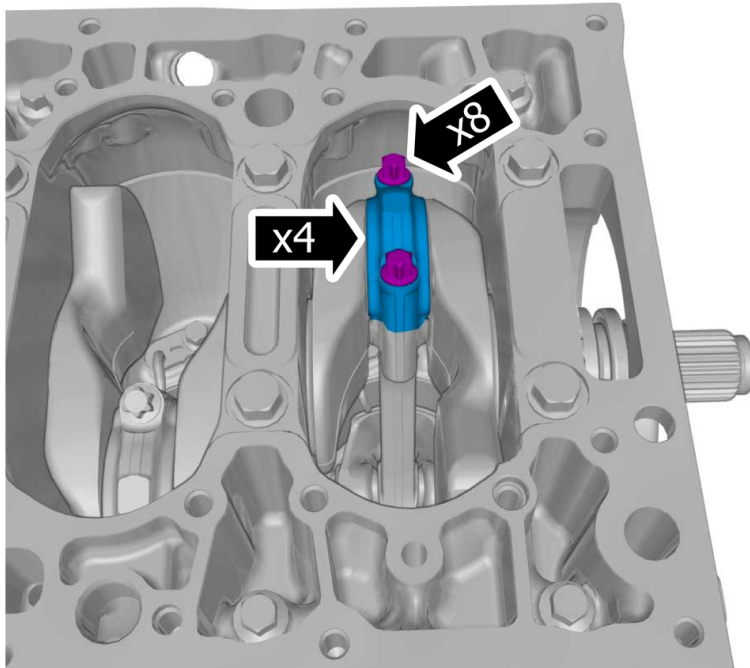
**Use:** Engine oil ,

**Use:** Piston ring compressor



**Caution! Take extra care when handling the components.**

Special Tool: T9995746, Holder (remov.piston/ connecting rod) B 200-B 6304



**Warning!** Make sure that new bolts are installed.

**Caution!** Take extra care when handling the components.

Install the marked component.  
Tighten the bolts.

**Torque:**

- Stage 1 : Cap connecting rod , 15 Nm
- Stage 2 : Cap connecting rod , 25 Nm
- Stage 3 : Cap connecting rod , 90°

Install balance shaft unit , refer to:  
Removal, replacement and installation  
2 - Engine with mountings and equipment  
21 - Engine  
215 - transmission

Install cylinder head , refer to:  
Removal, replacement and installation  
2 - Engine with mountings and equipment  
21 - Engine  
211 - cylinder head