



Technical Journal

TITLE:
Check Engine Light is on, ECM-P017100

REF NO: TJ 31120	ISSUING DEPARTMENT: Technical Service	CAR MARKET: United States and Canada	
PARTNER: 3 US 7510 Volvo Car USA		ISSUE DATE: 2016-04-06	STATUS DATE: 2016-04-12
FUNC GROUP: 2555	FUNC DESC: Supercharger, parts	Page 1 of 19	

“Right first time in Time”

Attachment

File Name	File Size
TJI-491817-1_1_0_en-US.pdf	4.9993 MB
TJI-491817-2_1_0_en-US.pdf	5.7504 MB

Vehicle Type

Type	Eng	Eng Desc	Sales	Body	Gear	Steer	Model Year	Plant	Chassis range	Struc Week Range
256	A2	B4204T27					2016-2016		-	201505-201550
256	BA	B1APHEV					2016-2016		-	201526-201550
256	BC	B1BPHEV					2016-2016		-	201526-201550

CSC Customer Symptom Codes

Code	Description
DL	Warning lights and chimes/Malfunction Indicator Light ("Check engine" light) indication/no indication

VST Operation Number

VST Operation Number	Description
31133-3	Isolation testing high voltage system
25233-2	Air leak inlet system check
98566-2	Gasket resonator replace acc. to TJ31120
31130-2	Battery drive, disconnect and connect



DTC Diagnostic Trouble Codes

Control Module	Code	Fault Type
ECM	P017100	Intermittent

Rows beginning with * are modified

Note! If using a printed copy of this Technical Journal, first check for the latest online version.

Text

DESCRIPTION:

- * VSTG OP no. added.
- * Text added under service. “VSTG OP no. See attachment”
- * Engine Variant added

ECM=Engine Control Module

VIDA= Vehicle Information and Diagnostics for Aftersales

VSTG= Volvo Standard Time Guide

If the “check engine” indicator is on and DTC ECM-P017100 is posted, please follow advice under **SERVICE**.

SERVICE:

Check for air leak at the supercharger resonator.

Use Leak detector (981 4118) listed in VIDA to test air intake system.

If leakage is confirmed at supercharger resonator, replace sealing as in attachment.

VSTG OP no. See attachment:

TJI-491817-1 for vehicles with engine B4204T28 (PHEV)

TJI-491817-2 for vehicles with engine B4204T27

VEHICLE REPORT:

Yes, please submit a Vehicle Report if the service solution described in this TJ has no effect. Use concern area “Vehicle Report” and sub concern area “Support not needed”, use function group 2555.

To view TJ attachment continue to next page. This TJ has one attachment.



Volvo Car Customer Service

TJ Instruction VCC-491817-1

Title	Inlet resonator gasket	Page	1 (8)
Action	Replacement	Operation number:	25233-2 98566-2 31130-2 31133-3

Issue	Date	Reason
1	2015-12	First issue

Affected vehicles

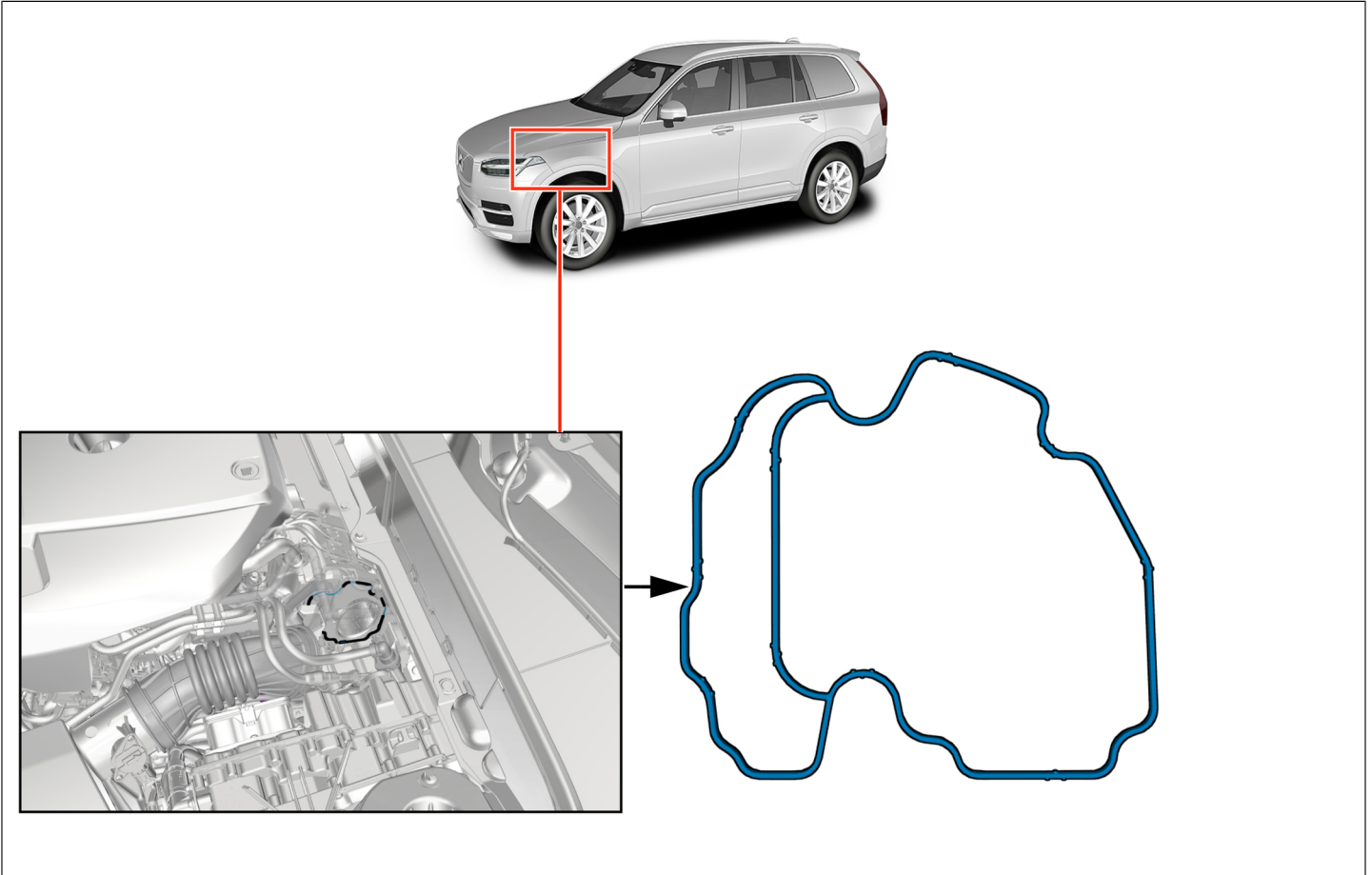
Model year	Model	Engine
2016	XC90 (16-)	B4204T28, T35

Materials

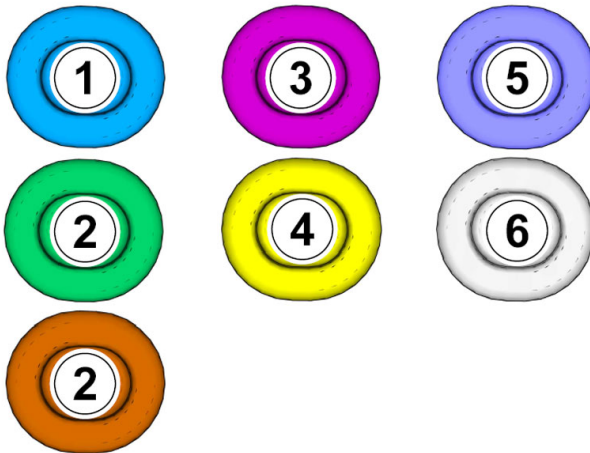
Materials	Qty.	Part No.	Notes
Gasket	1.0	31439814	

Removal

Note! Removal steps in this procedure may contain installation details.



Color symbols



Note! This colour chart displays (in colour print and electronic version) the importance of the different colours used in the images of the method steps.

- 1 . Used for focused component, the component with which you will do something.
- 2 . Used as extra colors when you need to show or differentiate additional parts.
- 3 . Used for attachments that are to be removed/installed. May be screws, clips, connectors, etc.
- 4 . Used when the component is not fully removed from the vehicle but only hung to the side.
- 5 . Used for standard tools and special tools.
- 6 . Used as background color for vehicle components.

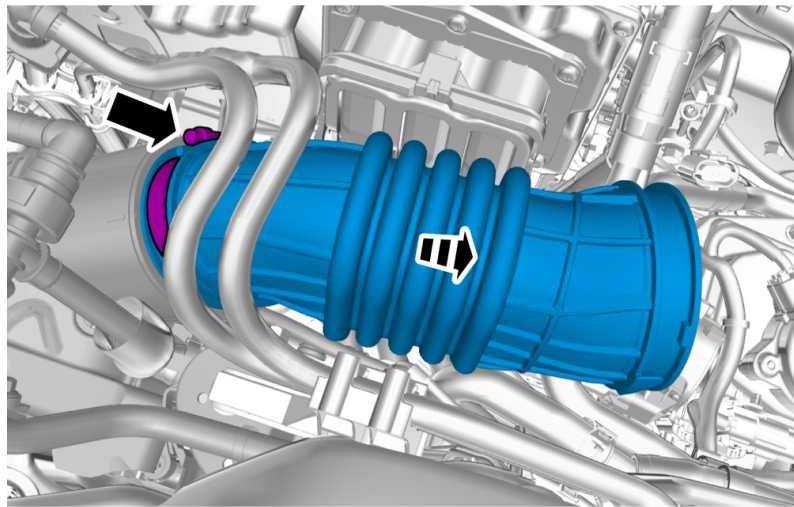
Check

Carry out intake system, check , refer to:
 Cleaning, Inspection and Adjustment
 2 - Engine with mountings and equipment
 25 - Intake and exhaust system
 251 - inlet and exhaust manifolds

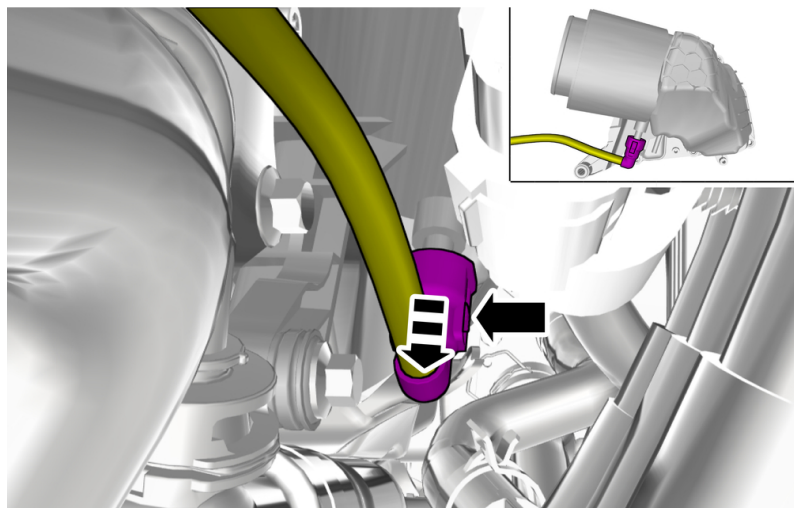
Removal

Note! Removal steps in this procedure may contain installation details.

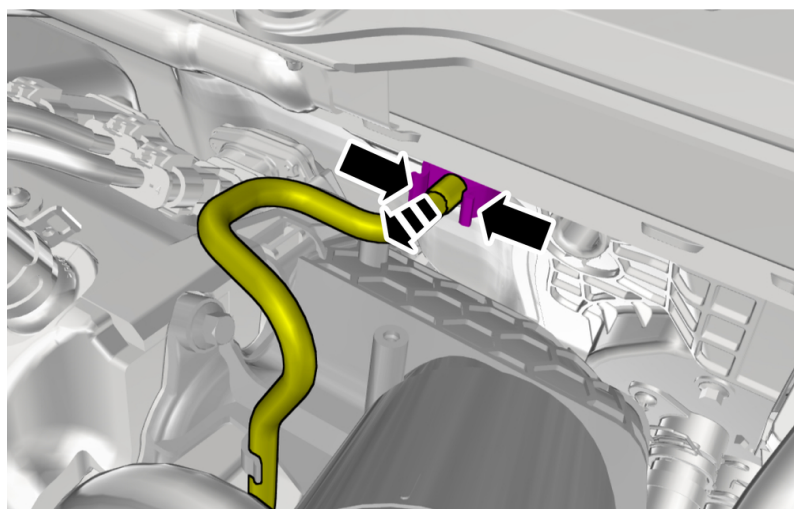
Remove Inverter Generator Module (IGM) , refer to:
 Removal, replacement and installation
 3 - Electrical system
 32 - Alternator and regulator
 323 - electric converter, high voltage



Loosen the hose clamp.
Remove the marked part.

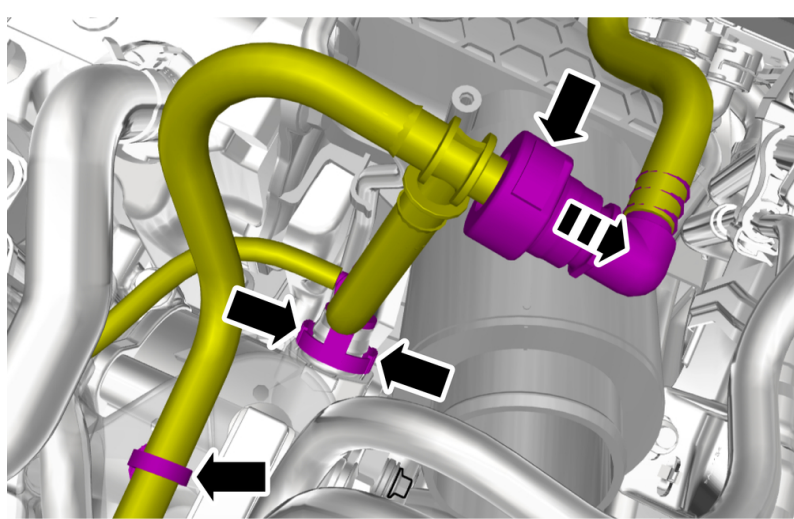


Release the locks.
Undo the hose from the connection.
Fold marked part to one side.

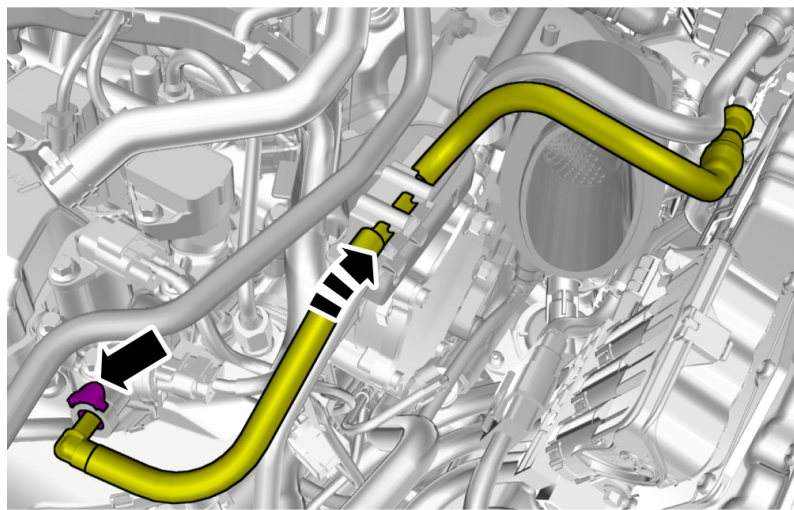


Warning! Be prepared to collect escaping fluid.

Release the locks.
Undo the hose from the connection.
Fold marked part to one side.

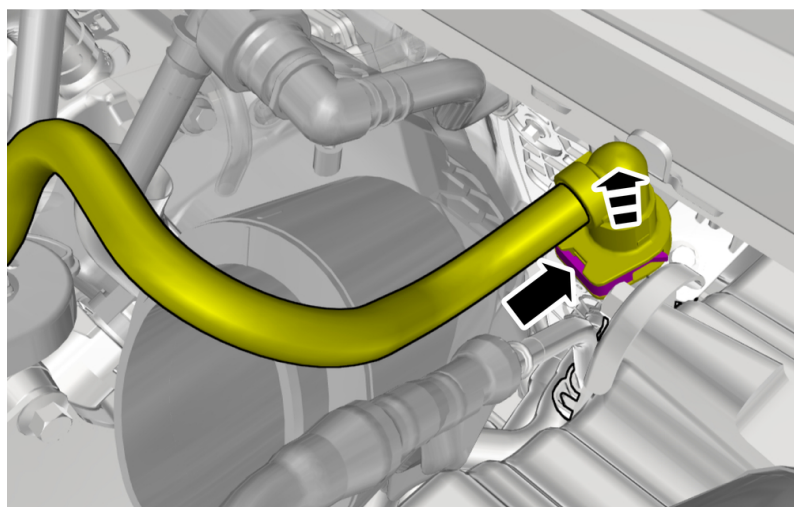


Release the locks.
Undo the hoses from the connections.
Fold marked part to one side.

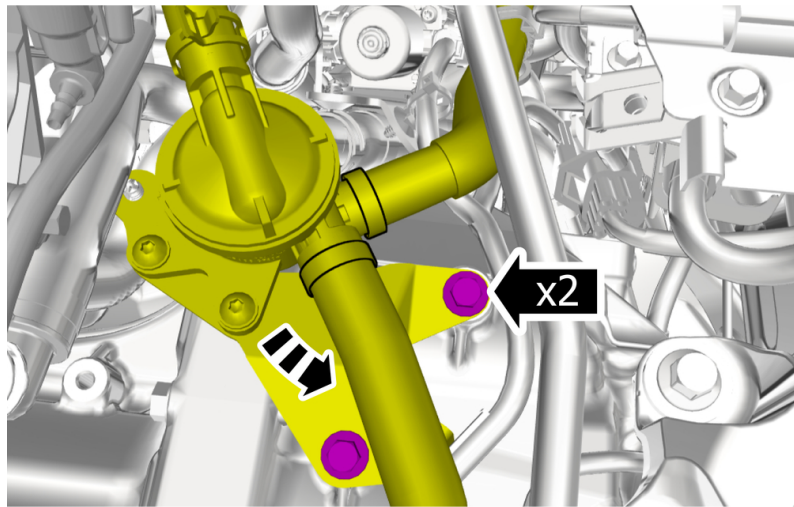


Warning! Be prepared to collect escaping fluid.

Release the lock.
Undo the hose from the connection.
Fold marked part to one side.



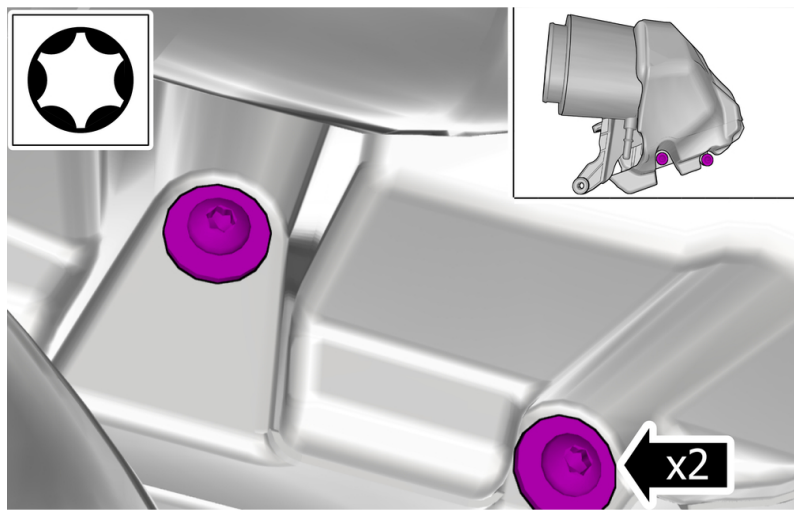
Release the lock.
Undo the hose from the connection.
Fold marked part to one side.



Remove the screws.

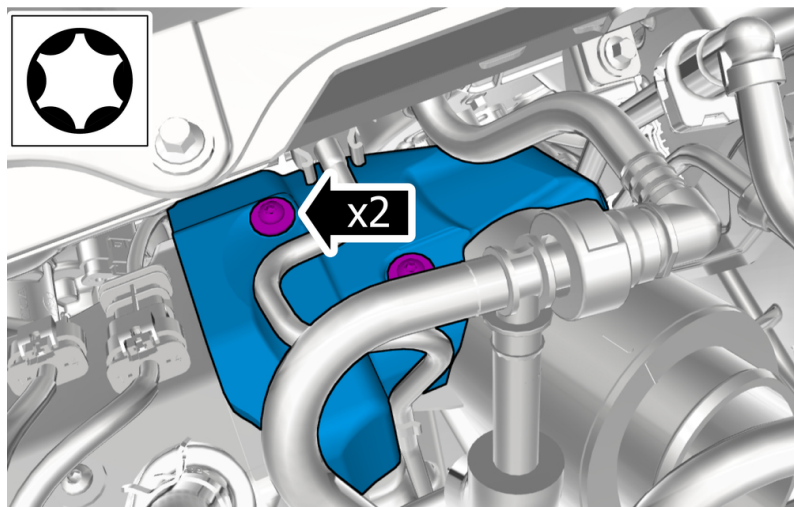
Torque:

M8 , 24 Nm



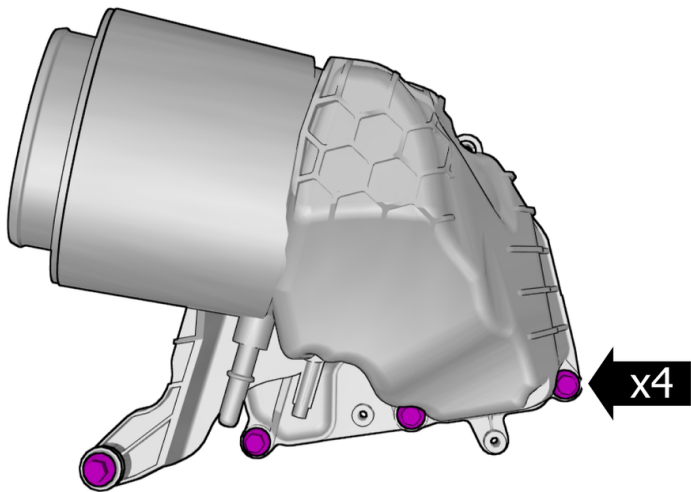
Note! The screws may be difficult to access.

Remove the screws.



Remove the screws.

Remove the marked part.

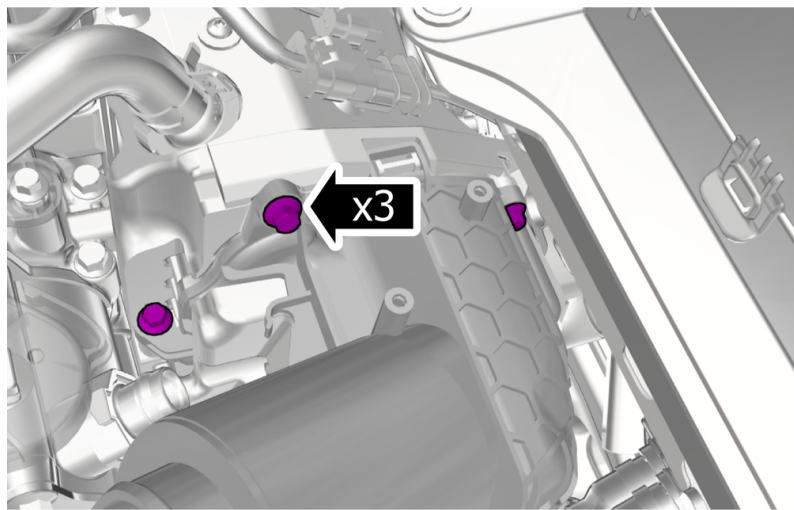


Note! The screws may be difficult to access.

Remove the screws.

Torque:

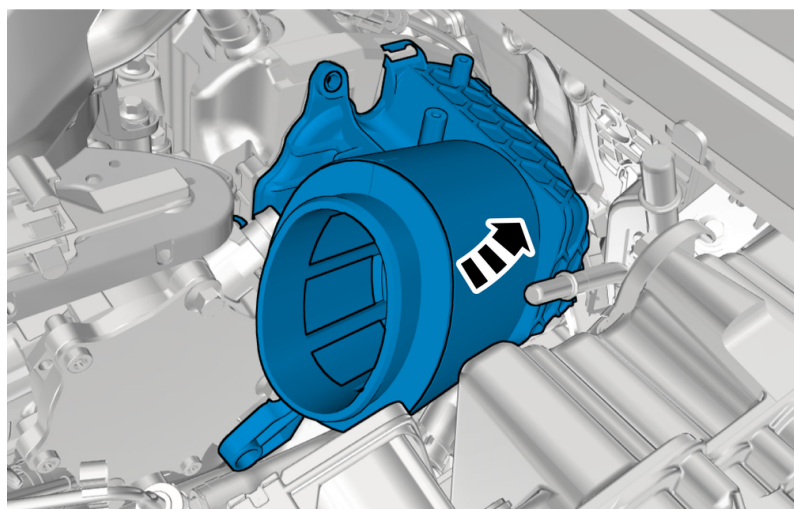
M6 , 10 Nm



Remove the screws.

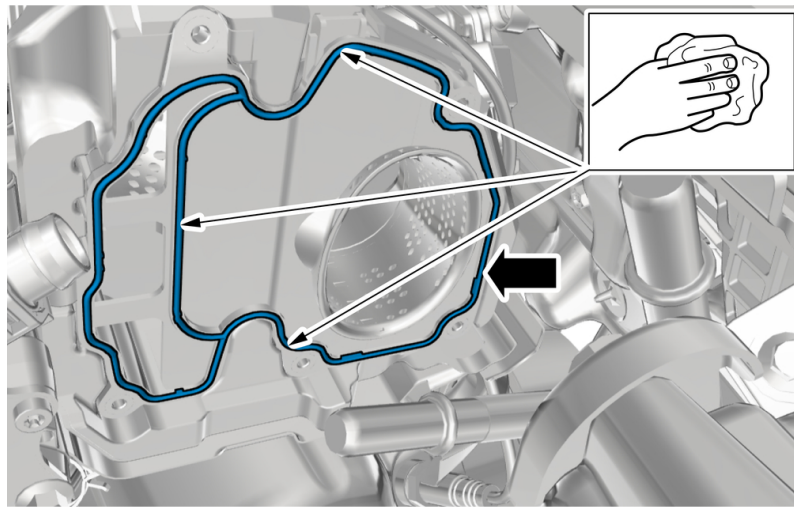
Torque:

M6 , 10 Nm



Remove the marked part.

Hint: It may be necessary to twist or turn the component.



Caution! Make sure that the surface is clean and free of foreign material.

Note! Make sure that the seal is correctly located.

Installation

To install, reverse the removal procedure.



Volvo Car Customer Service

TJ Instruction VCC-491817-2

Title	Inlet resonator gasket	Page	1 (9)
Action	Replacement	Operation number:	25233-2 98566-2

Issue	Date	Reason
1	2015-12	First issue

Affected vehicles

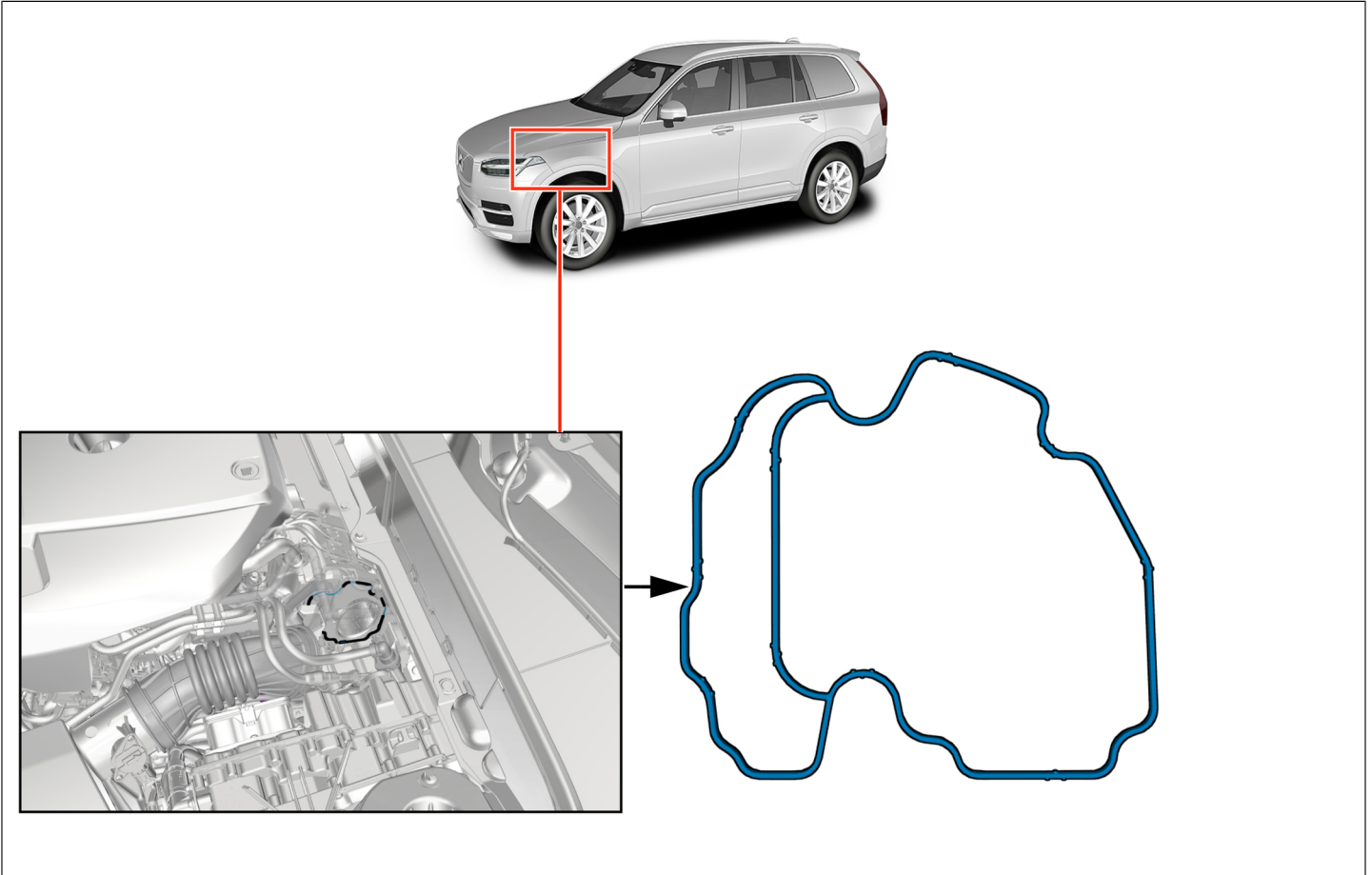
Model year	Model	Engine
2016	XC90 (16-)	B4204T27

Materials

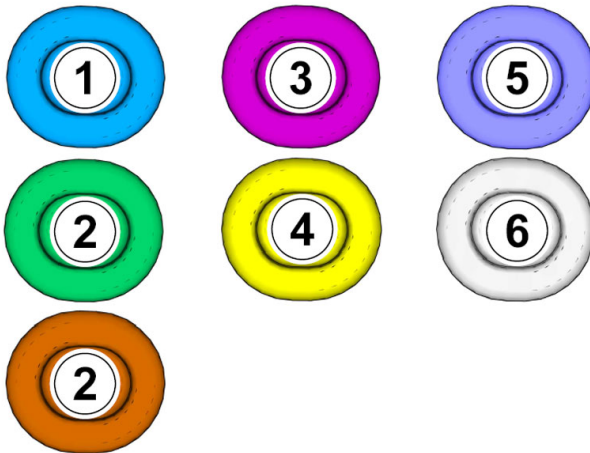
Materials	Qty.	Part No.	Notes
Gasket	1.0	31439814	

Removal

Note! Removal steps in this procedure may contain installation details.



Color symbols



Note! This colour chart displays (in colour print and electronic version) the importance of the different colours used in the images of the method steps.

- 1 . Used for focused component, the component with which you will do something.
- 2 . Used as extra colors when you need to show or differentiate additional parts.
- 3 . Used for attachments that are to be removed/installed. May be screws, clips, connectors, etc.
- 4 . Used when the component is not fully removed from the vehicle but only hung to the side.
- 5 . Used for standard tools and special tools.
- 6 . Used as background color for vehicle components.

Check

Carry out intake system, check , refer to:
 Cleaning, Inspection and Adjustment
 2 - Engine with mountings and equipment
 25 - Intake and exhaust system
 251 - inlet and exhaust manifolds

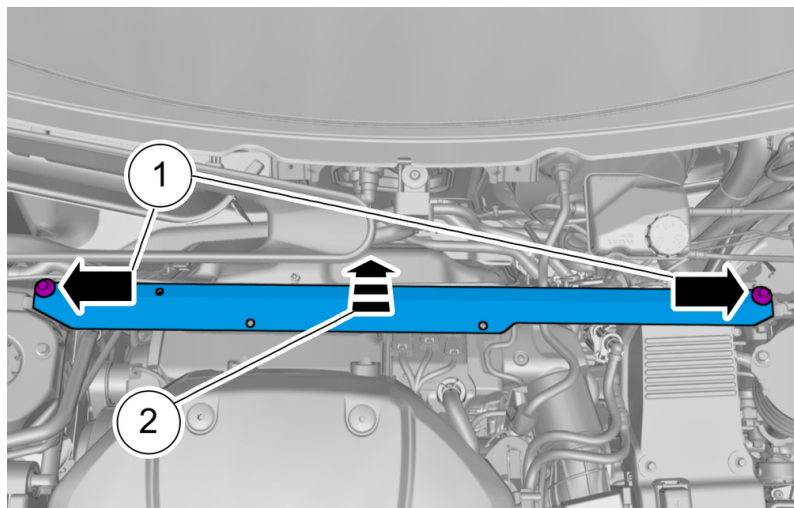
Removal

Note! Removal steps in this procedure may contain installation details.

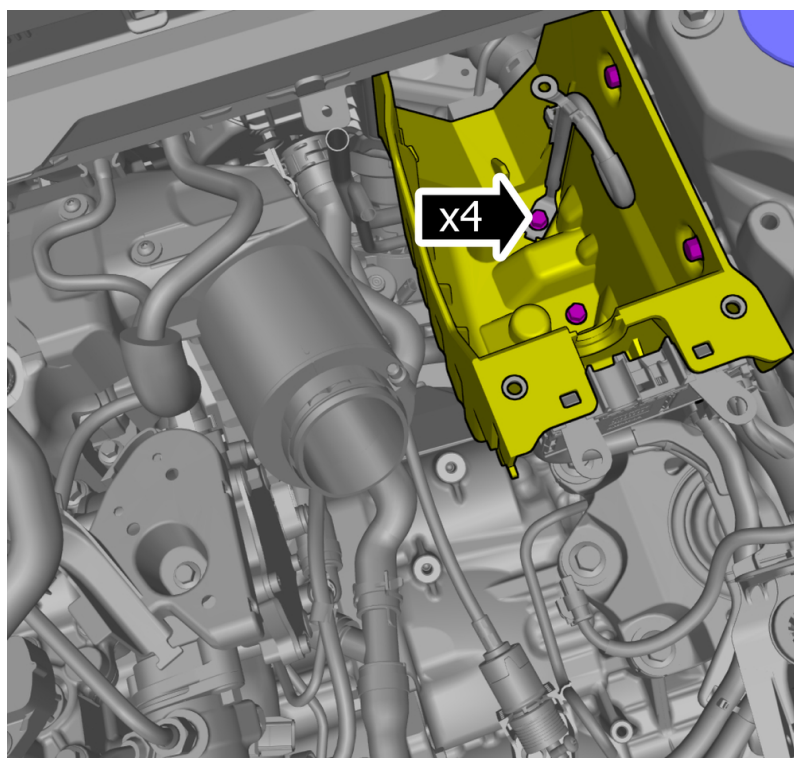
Remove auxiliary battery , refer to:
 Removal, replacement and installation
 3 - Electrical system
 31 - Battery and mounting
 311 - battery

Remove the battery control switch module
 bcsm , refer to:
 Removal, replacement and installation
 3 - Electrical system
 31 - Battery and mounting
 311 - battery

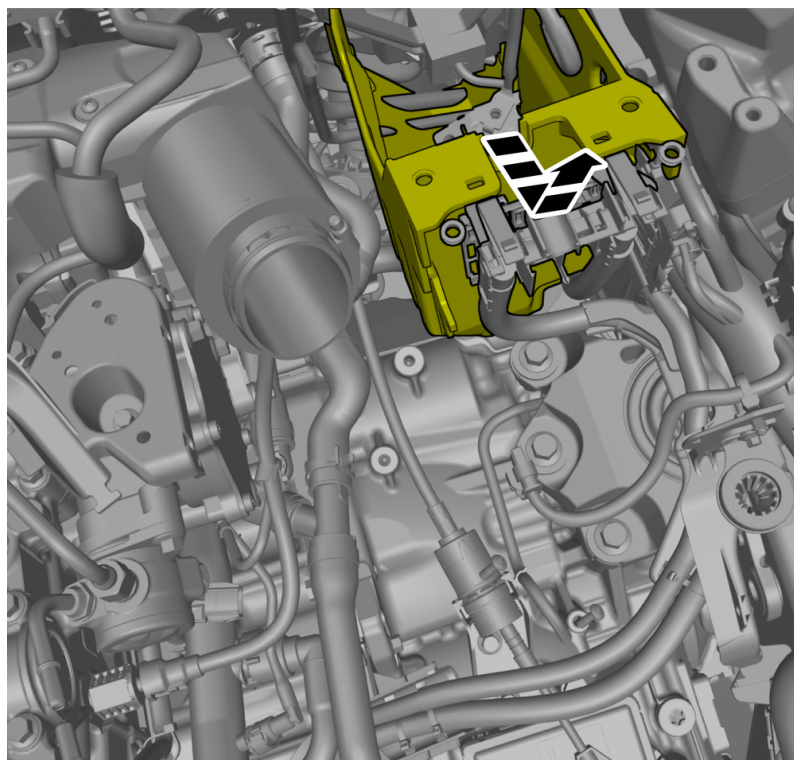
Remove the cowl panel cover , refer to:
Removal, replacement and installation
8 - Body and interior
82 - Bonnet (Hood), front end, wings,
door sill
823 - radiator grille



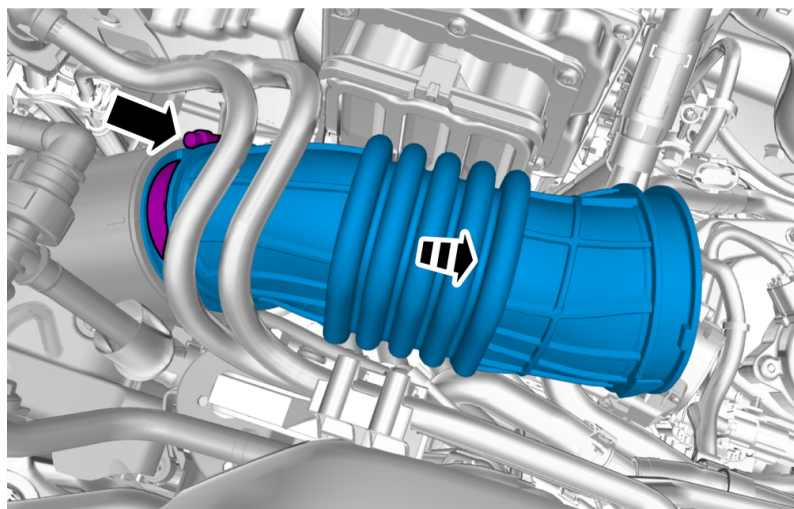
- 1 . Remove the screws.
- 2 . Remove the marked part.
- 3 . **Torque:**
M8 , 24 Nm



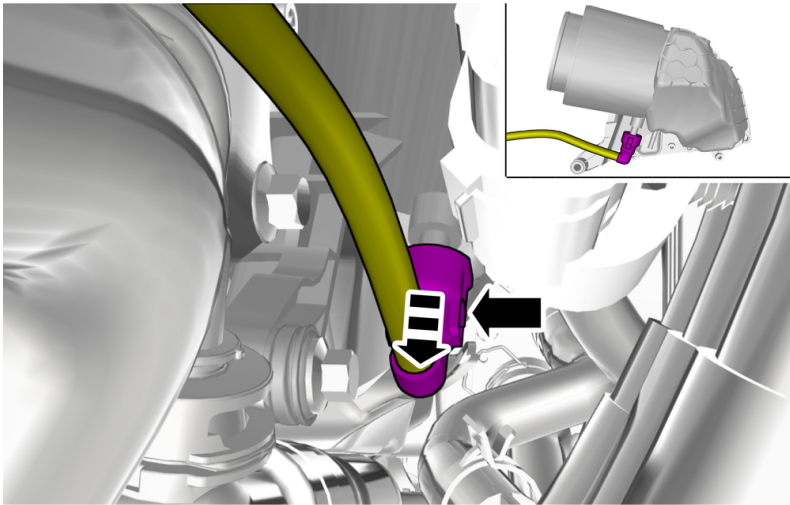
- Remove the screws.
- Torque:**
M5 , 5 Nm



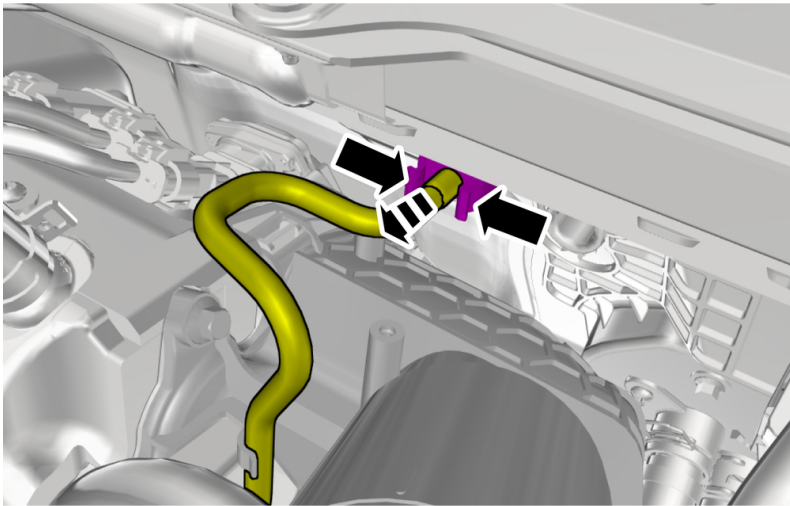
Fold marked part to one side.



Loosen the hose clamp.
Remove the marked part.

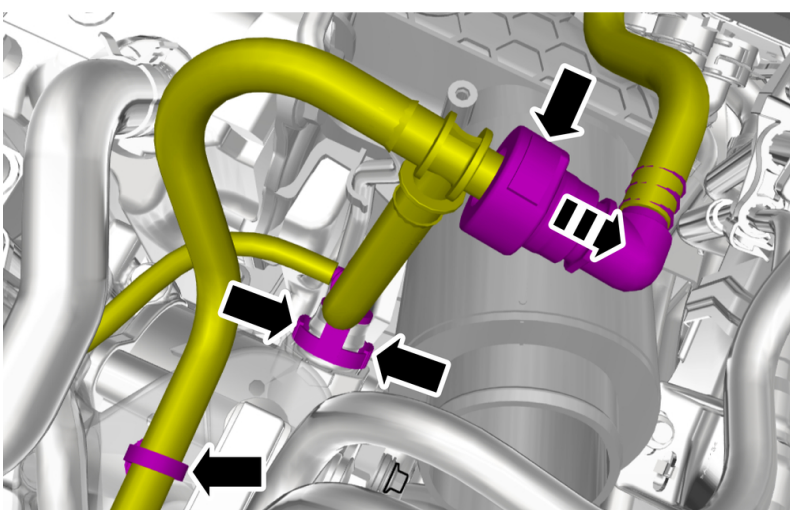


Release the locks.
Undo the hose from the connection.
Fold marked part to one side.

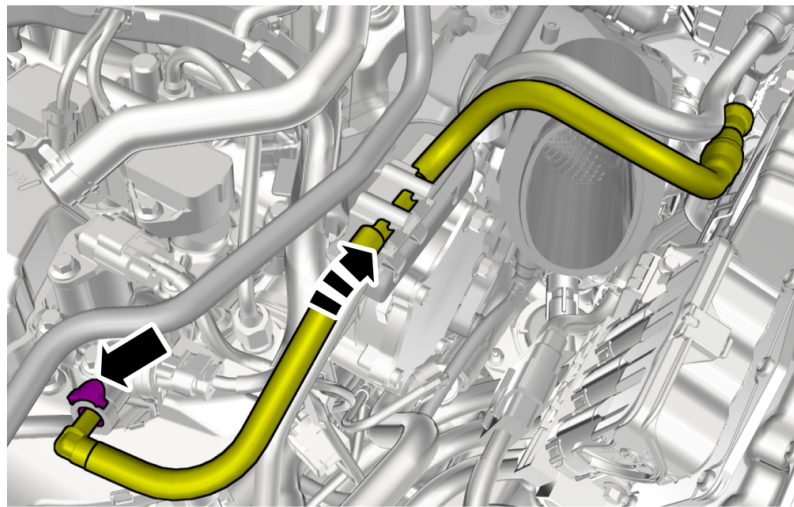


Warning! Be prepared to collect escaping fluid.

Release the locks.
Undo the hose from the connection.
Fold marked part to one side.

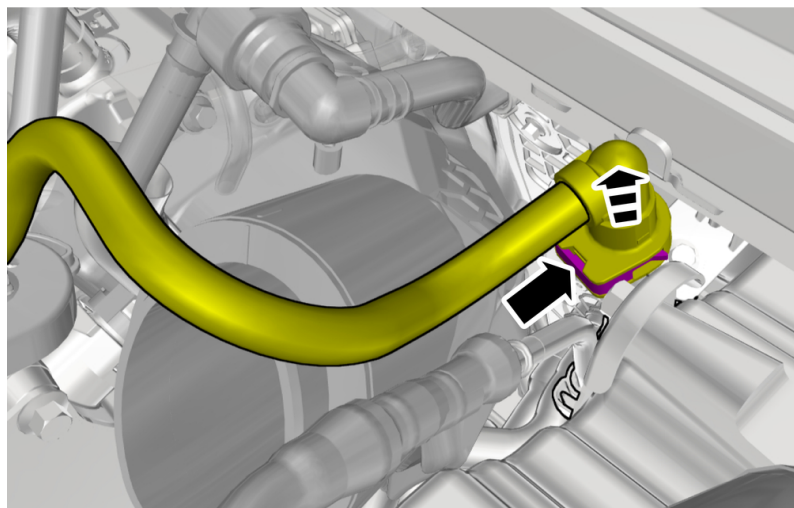


Release the locks.
Undo the hoses from the connections.
Fold marked part to one side.

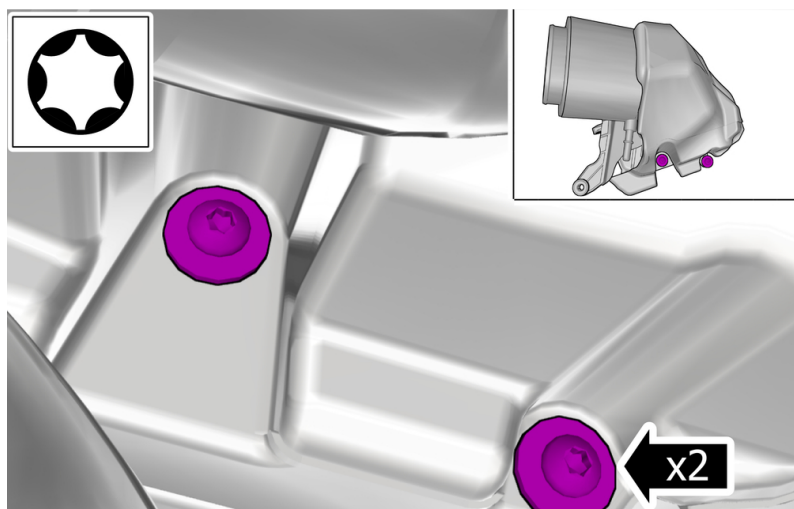


Warning! Be prepared to collect escaping fluid.

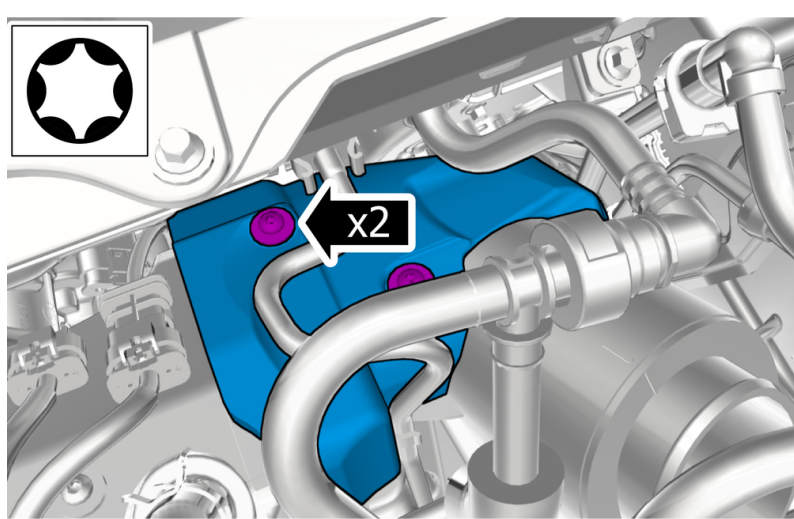
Release the lock.
Undo the hose from the connection.
Fold marked part to one side.



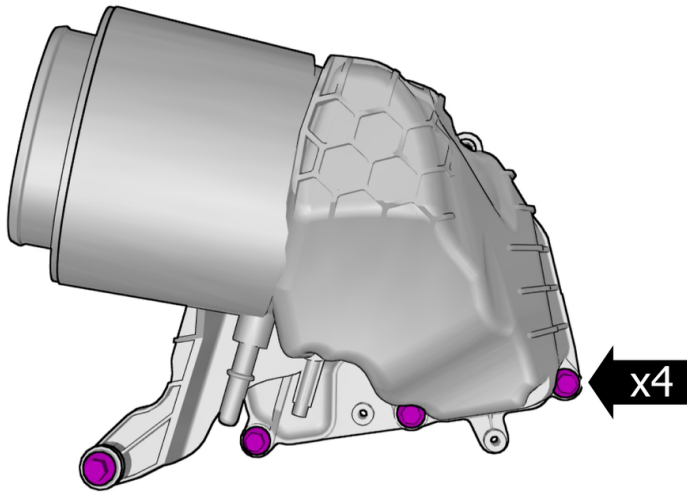
Release the lock.
Undo the hose from the connection.
Fold marked part to one side.



Note! The screws may be difficult to access.
Remove the screws.



Remove the screws.
Remove the marked part.

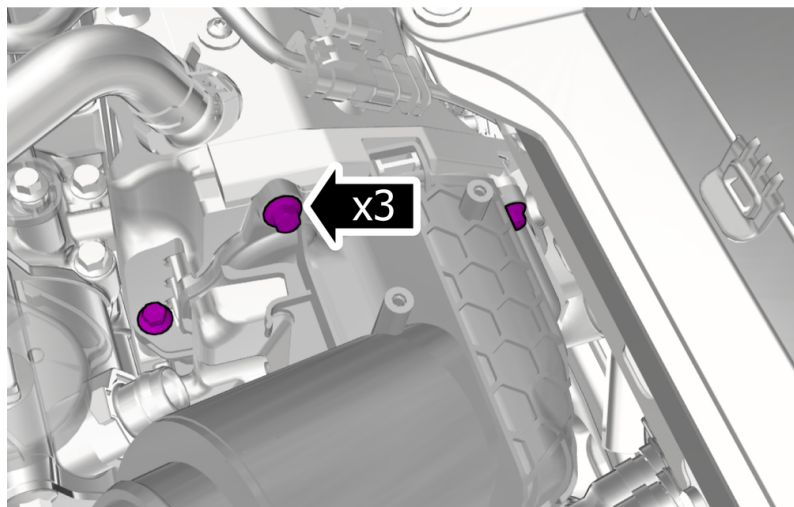


Note! The screws may be difficult to access.

Remove the screws.

Torque:

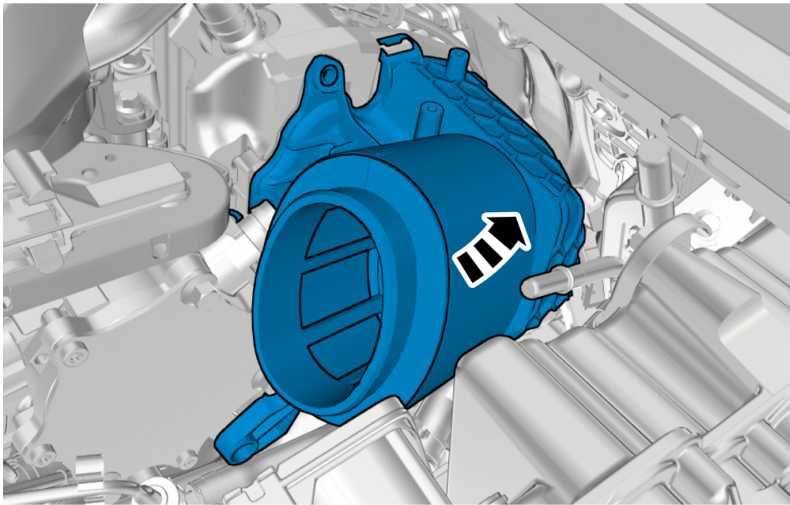
M6 , 10 Nm



Remove the screws.

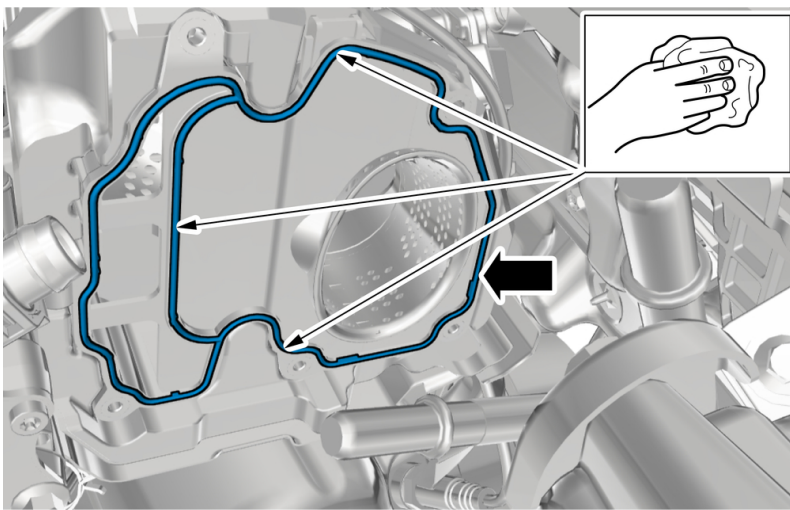
Torque:

M6 , 10 Nm



Remove the marked part.

Hint: It may be necessary to twist or turn the component.



Caution! Make sure that the surface is clean and free of foreign material.

Note! Make sure that the seal is correctly located.

Installation

To install, reverse the removal procedure.