



# Technical Journal

TITLE:

**Door handle ,does not fully retract.**

<b>REF NO:</b> TJ 31036	<b>ISSUING DEPARTMENT:</b> Technical Service	<b>CAR MARKET:</b> United States and Canada	
<b>PARTNER:</b> 3 US 7510 Volvo Car USA		<b>ISSUE DATE:</b> 2016-03-30	<b>STATUS DATE:</b> 2016-03-30
<b>FUNC GROUP:</b> 8344	<b>FUNC DESC:</b> handle, outer for side door	Page 1 of 9	

“Right first time in Time”

## Attachment

File Name	File Size
TJ 31036.pdf	2.1381 MB

## Vehicle Type

Type	Eng	Eng Desc	Sales	Body	Gear	Steer	Model Year	Plant	Chassis range	Struc Week Range
256							2016-2016		0000561-0060217	201505-201552

## CSC Customer Symptom Codes

Code	Description
VK	Doors/Exterior door handle problems

## VST Operation Number

VST Operation Number	Description
98621-2	External door handle bracket replace acc. to TJ31036

## DTC Diagnostic Trouble Codes

## Text

**DESCRIPTION:**

If the side door handle does not fully retract follow advice under “Service”.

Only effects vehicles with variant code:TC02 (Chrome) ,TC03 (LED lighting).

**SERVICE:**

If there is a complaint of the handle failing to retract, follow the attached service instructions.

**VEHICLE REPORT:**

Yes, please submit a Vehicle Report if the service solution described in this TJ has no effect. Use concern area “Vehicle Report” and sub concern area “Support not needed”, use function group 8344.

**To view TJ attachment continue to next page. This TJ has 1 attachment.**



## Volvo Car Customer Service

TJ 31036

<b>Title</b>	External door handle bracket	<b>Page</b>	1 ( 7 )
<b>Action</b>	Adjustment	<b>Operation number:</b>	98621-2

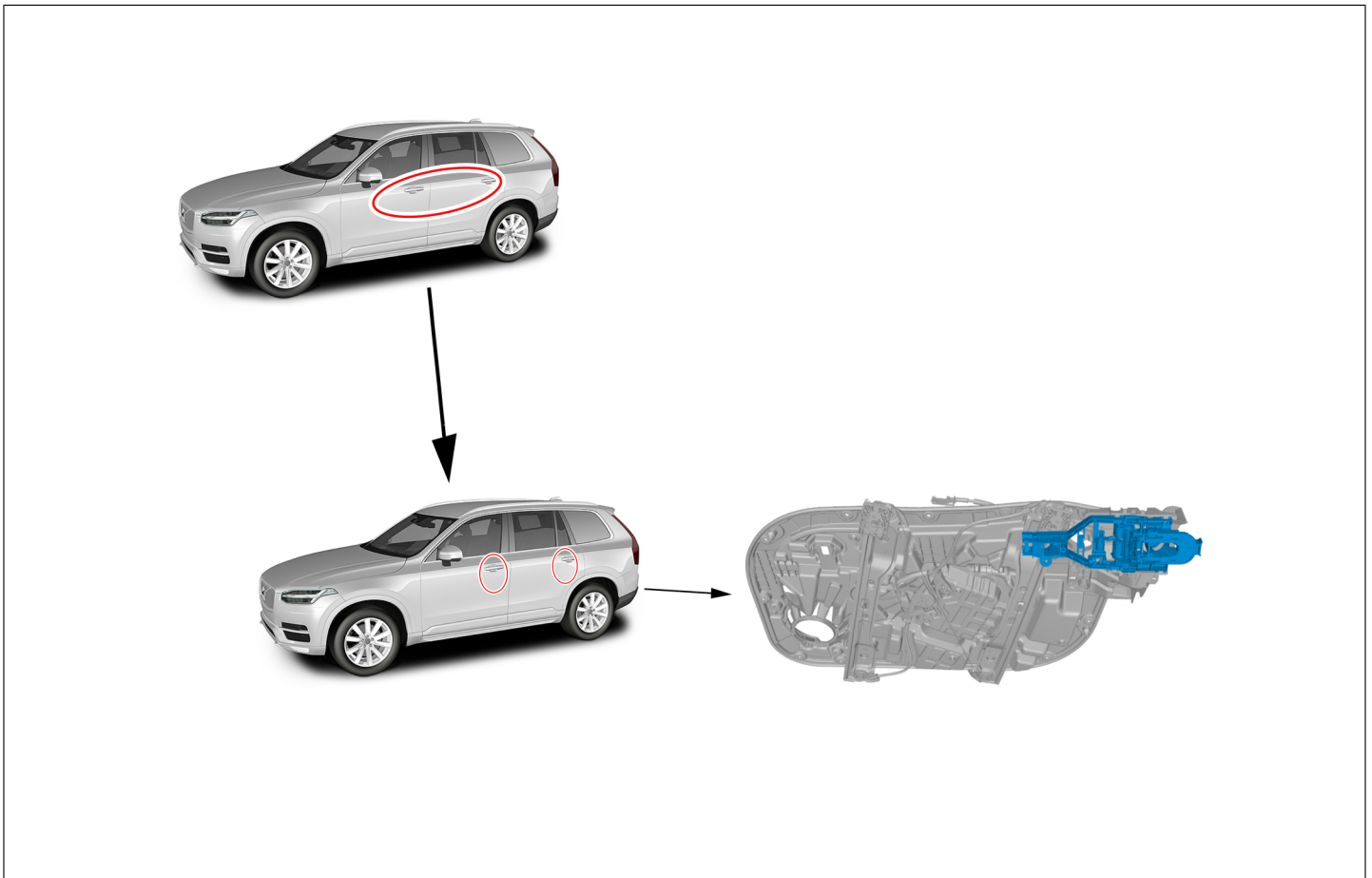
### Affected vehicles

Model year	Model
2016	XC90 (16-)

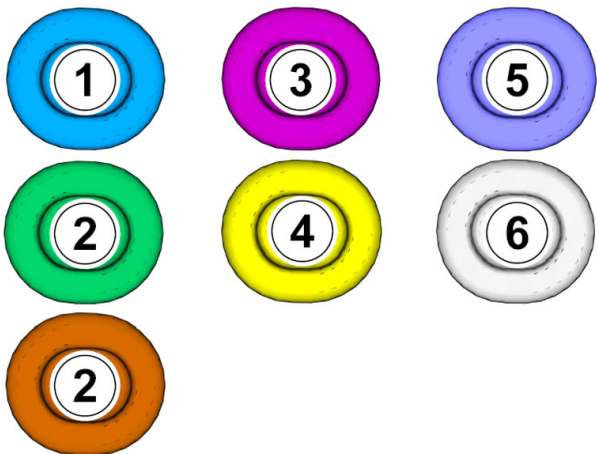
### Materials

Materials	Qty.	Part No.	Notes
Bracket	1.0	31378250	
Bracket	1.0	31378251	
Bracket	1.0	31378253	
Bracket	1.0	31378254	

### Orientation view



### Color symbols



- 1 . Used for focused component, the component with which you will do something.
- 2 . Used as extra colors when you need to show or differentiate additional parts.
- 3 . Used for attachments that are to be removed/installed. May be screws, clips, connectors, etc.
- 4 . Used when the component is not fully removed from the vehicle but only hung to the side.
- 5 . Used for standard tools and special tools.
- 6 . Used as background color for vehicle components.

## Removal

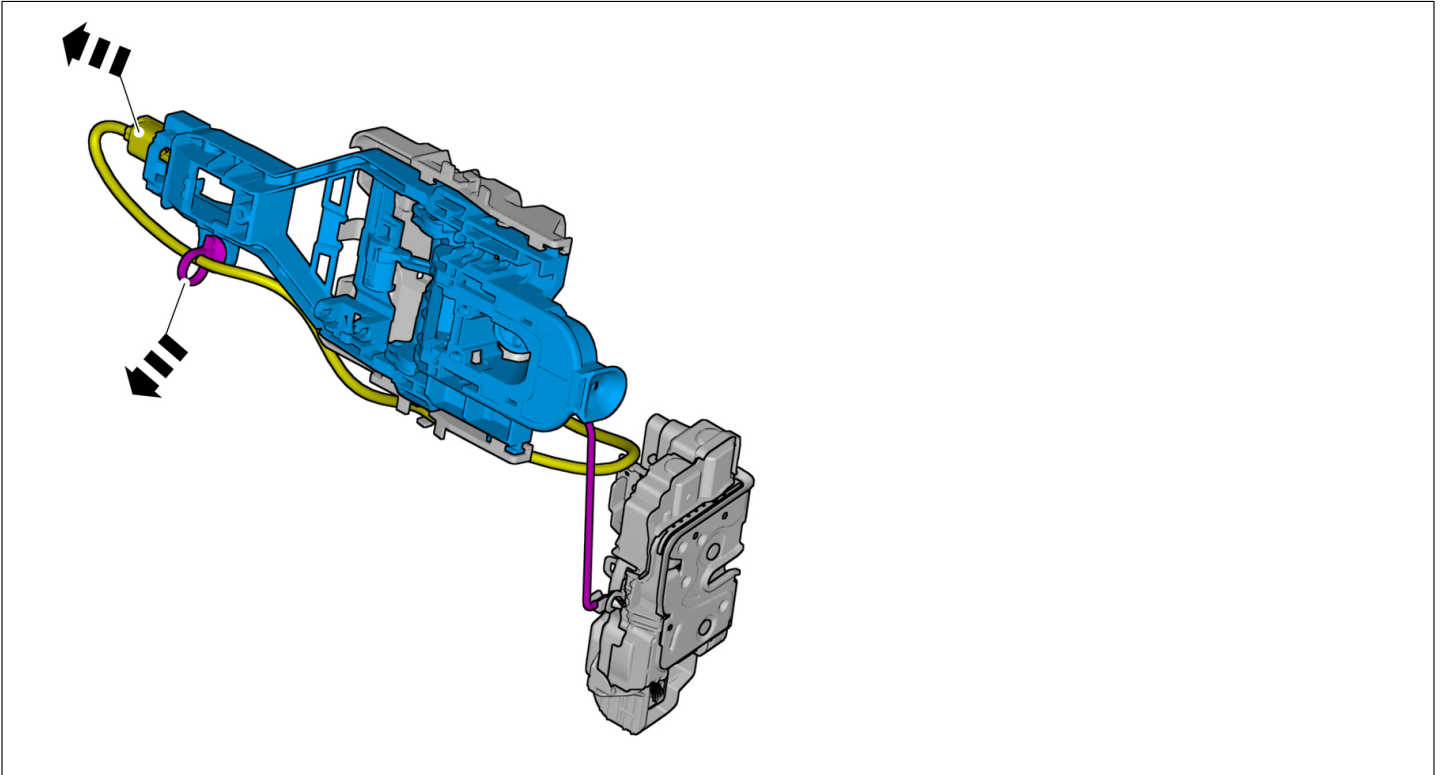
Remove lock mechanism side door front , refer to:

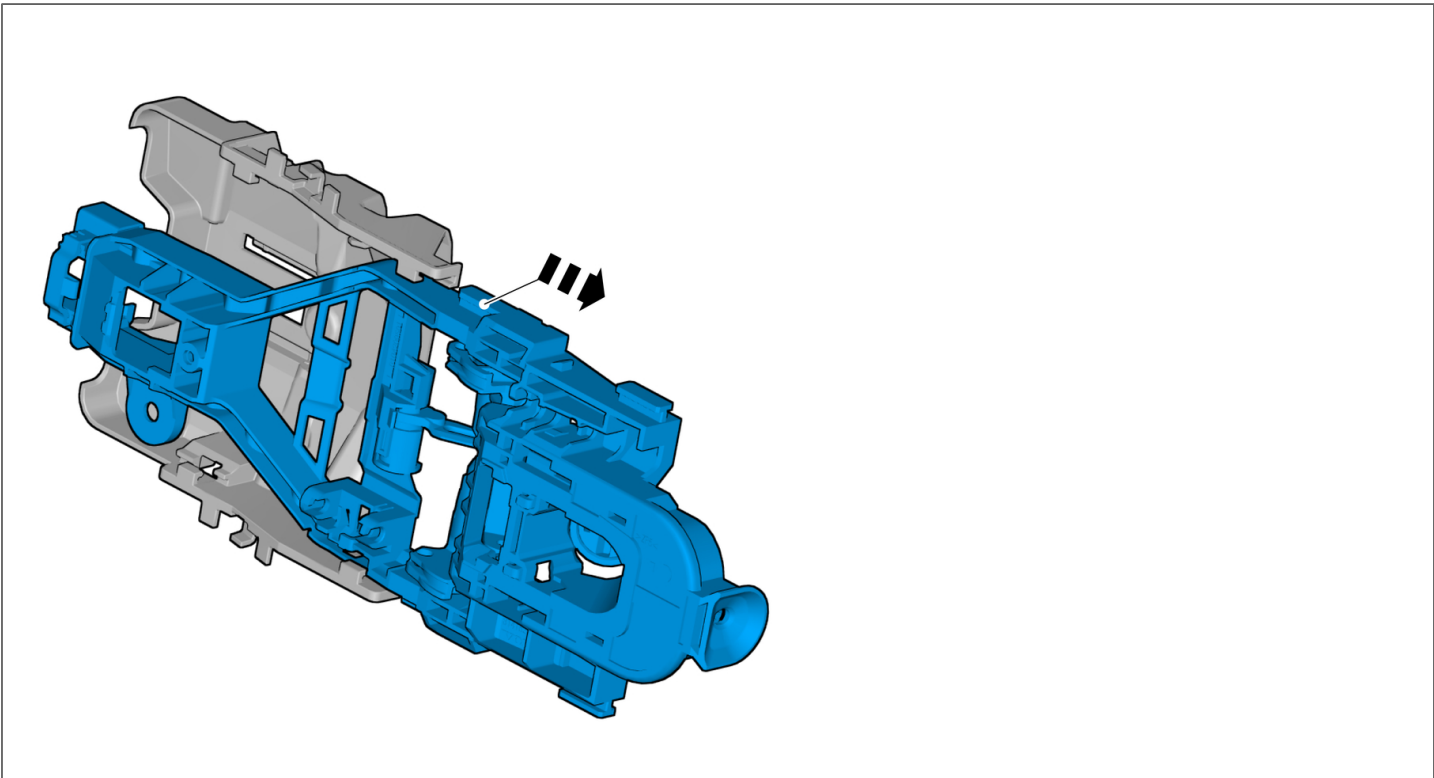
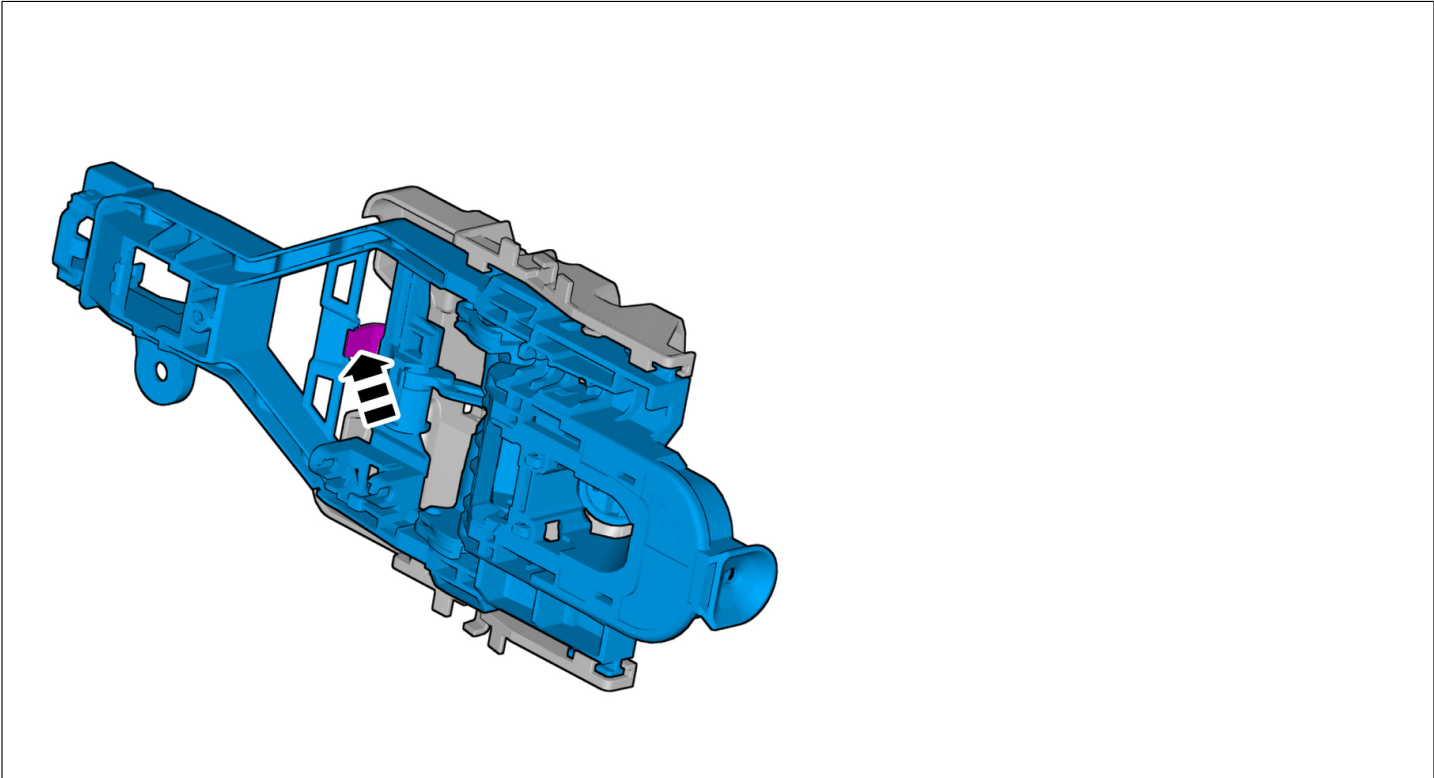
Removal, replacement and installation

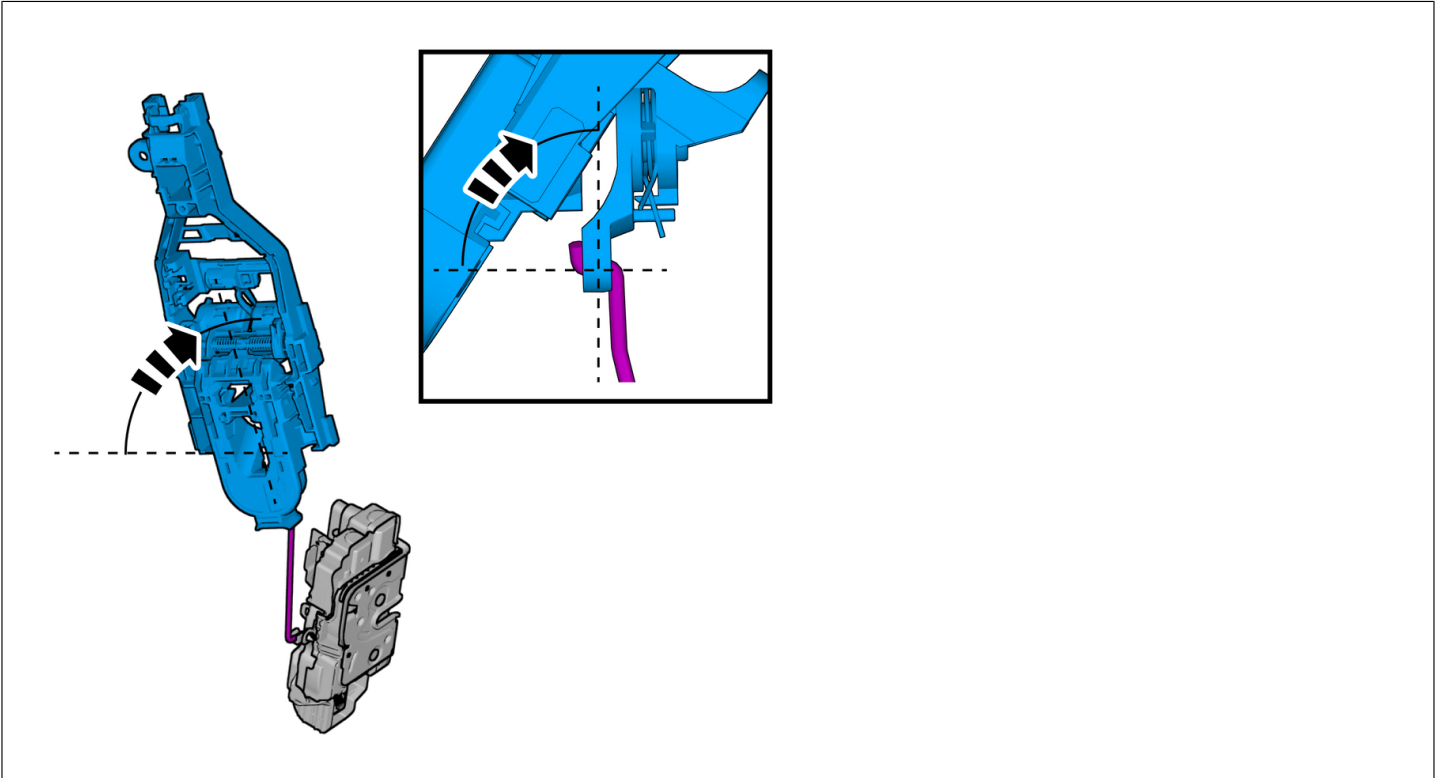
8 - Body and interior

83 - Doors and lids

834 - lock, handle

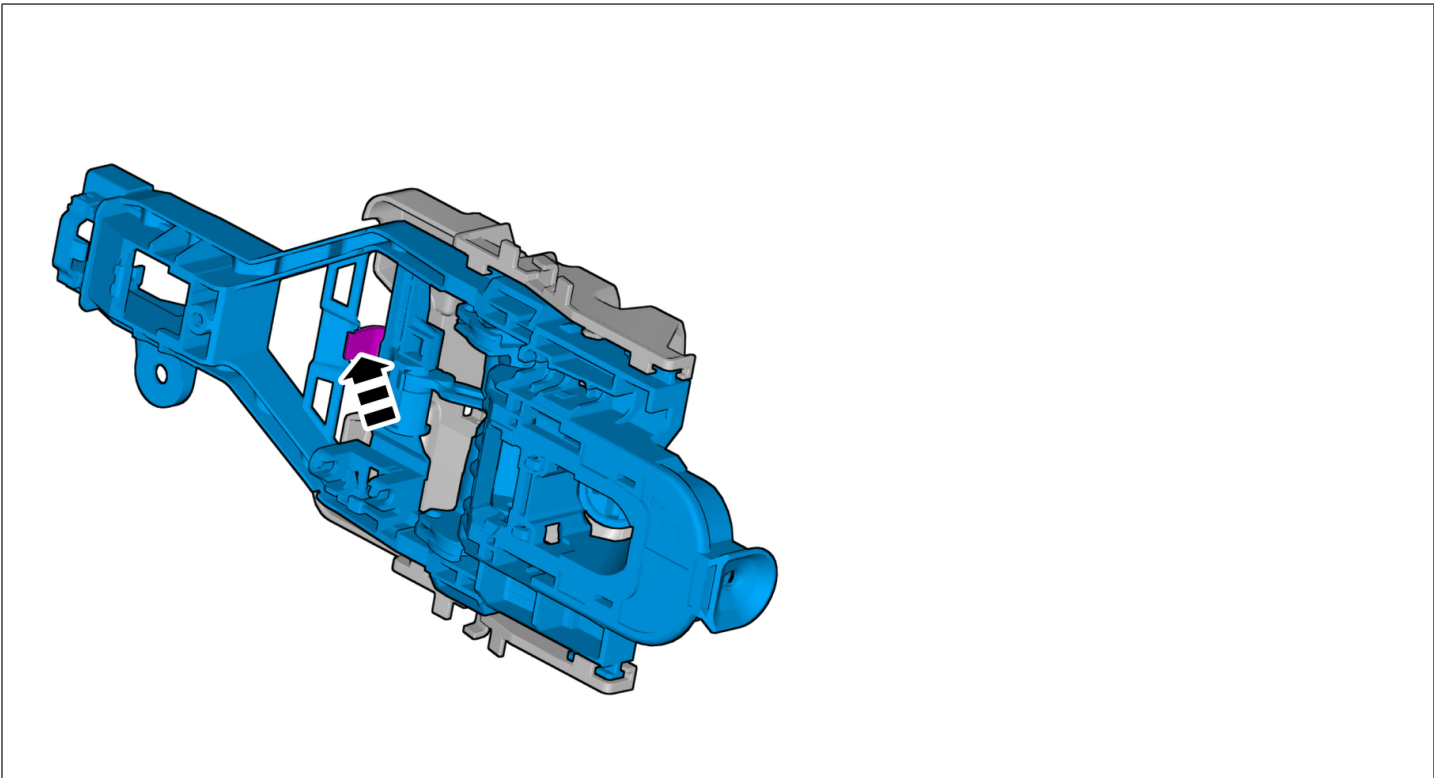
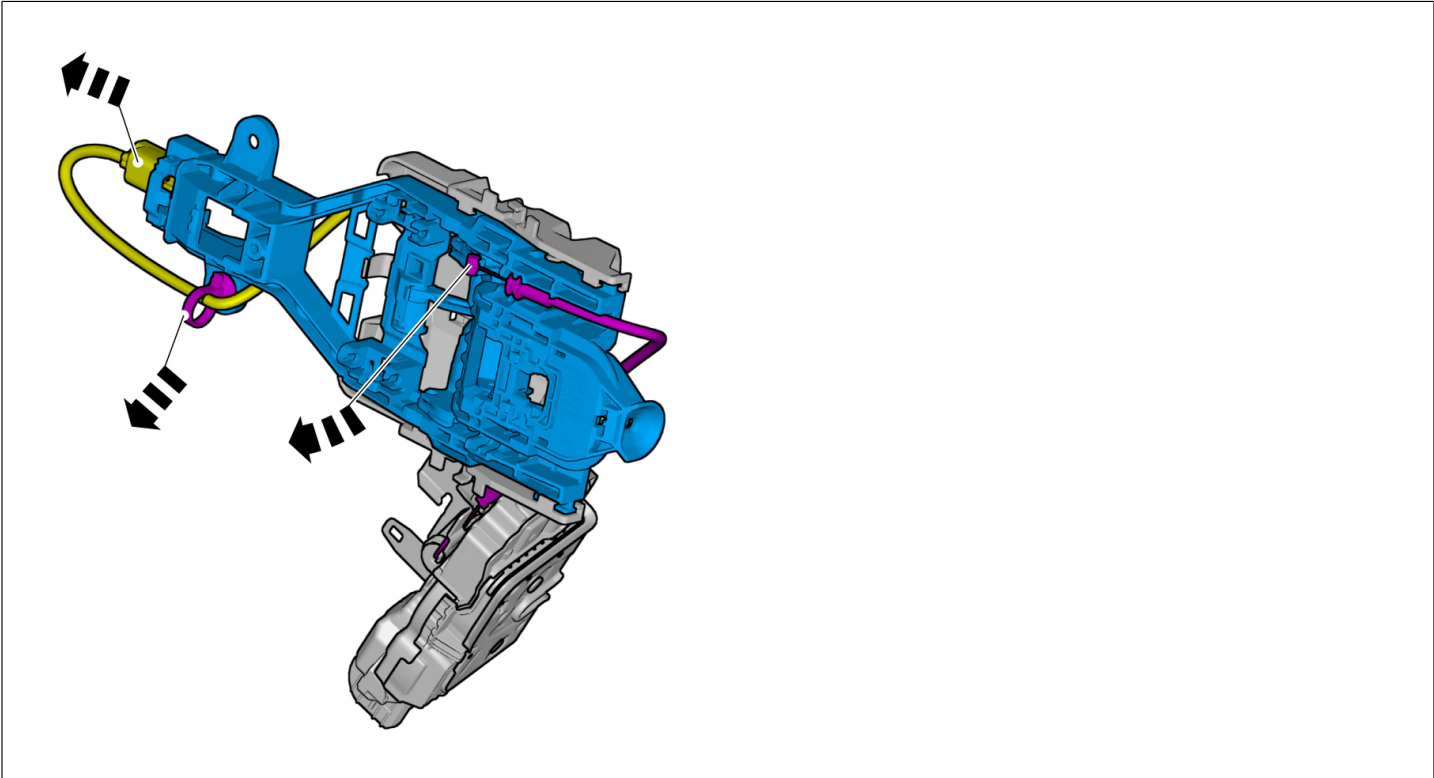




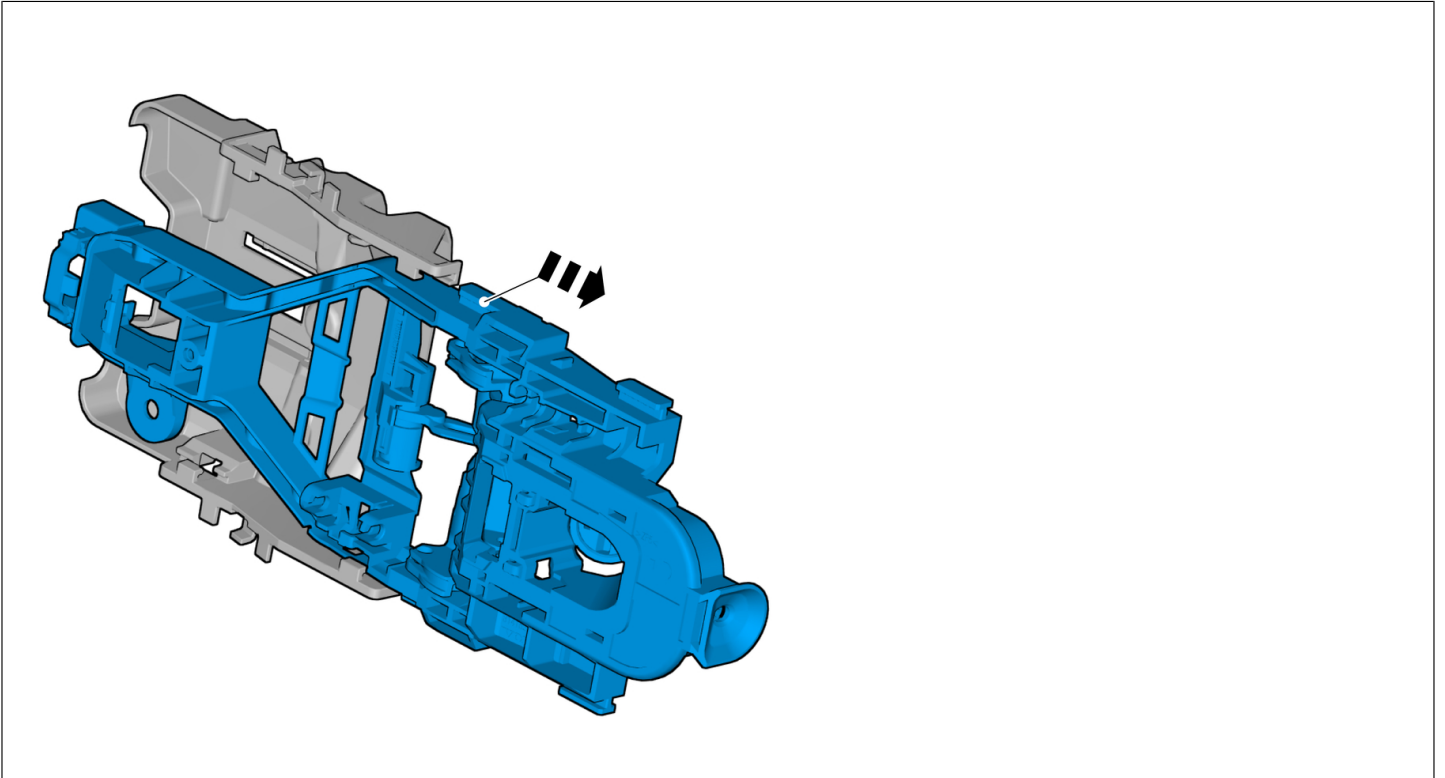


Remove lock mechanism side door rear , refer to:

- Removal, replacement and installation
- 8 - Body and interior
- 83 - Doors and lids
- 834 - lock, handle







**Installation**

To install, reverse the removal procedure.