



2016 Civic: New Model Body Repair Information

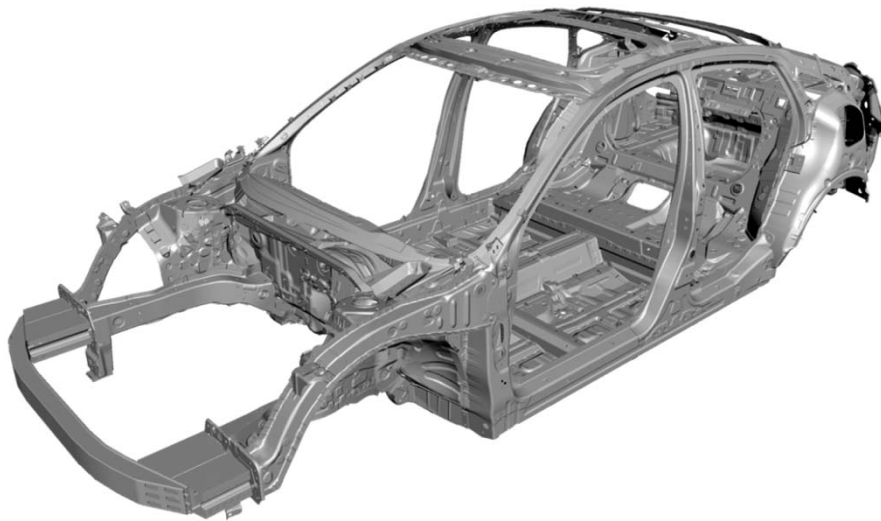
(Supersedes original publication issued **November 2015**. Revised to add 2-door model information)

DISCLAIMER: This publication contains a summary of new body and vehicle technology that may affect collision and other body repairs. Always refer to the appropriate electronic service information for complete repair information. A subscription may be purchased at: techinfo.honda.com

TABLE OF CONTENTS

New Model Body Technology	Page 2
Body Repair Information	Page 8
Welding Precautions and Information	Page 9
Airbag System Components and Repairs	Page 11
Electrical & Driver Support Systems Repair Information	Page 13

OVERVIEW OF BODY FEATURES



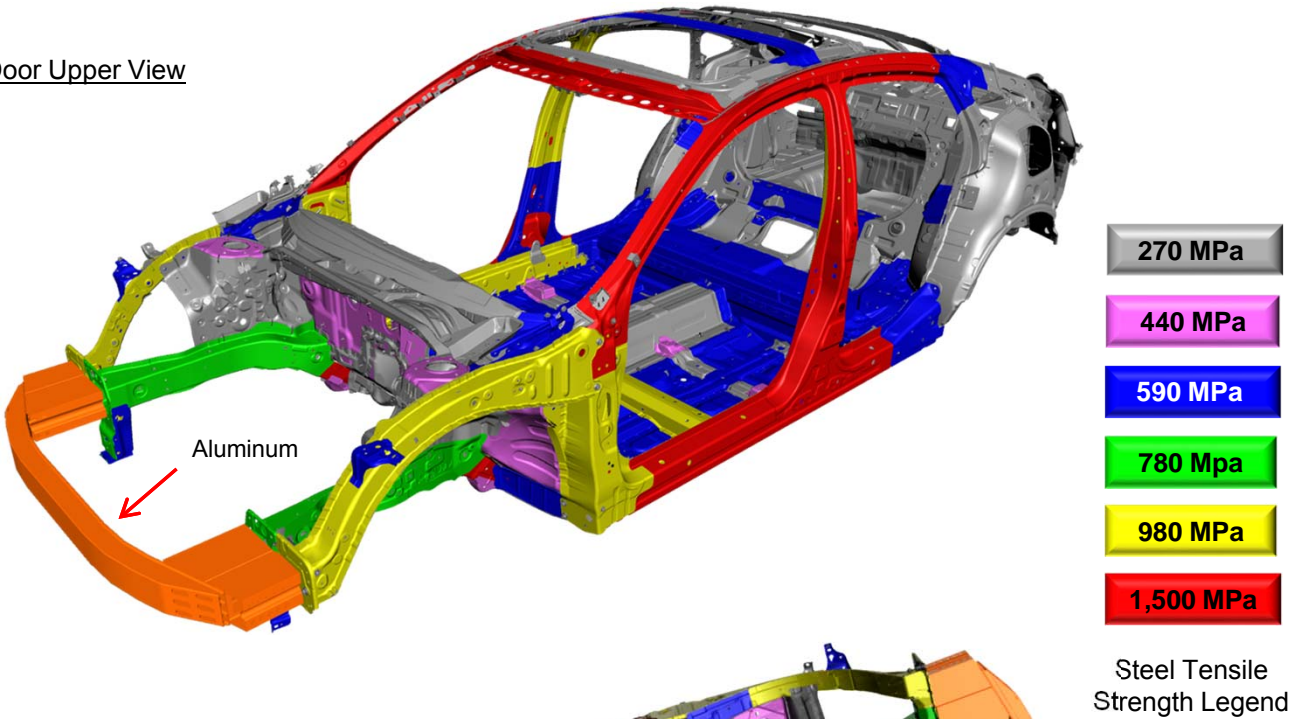
- Next-Generation Advanced Compatibility Engineering™ (ACE™) body structure
- Body construction using extensive amounts of high-tensile-strength steel (HSS) and ultra-high-strength steel (UHSS - 980 MPa and higher)
- Weight-saving 1,500 MPa steel center pillar stiffener and rear frame with soft zones for crash performance on 4-Door models
- Bolt-on resin composite lower front bulkhead assembly
- Introduction of the Honda Sensing™ suite of advanced safety and driver-assistive technologies, including: Adaptive Cruise Control with Low Speed Follow, Lane Keeping Assist System, Road Departure Mitigation, and Collision Mitigation Braking System™ with pedestrian sensing capability

New Model Body Technology

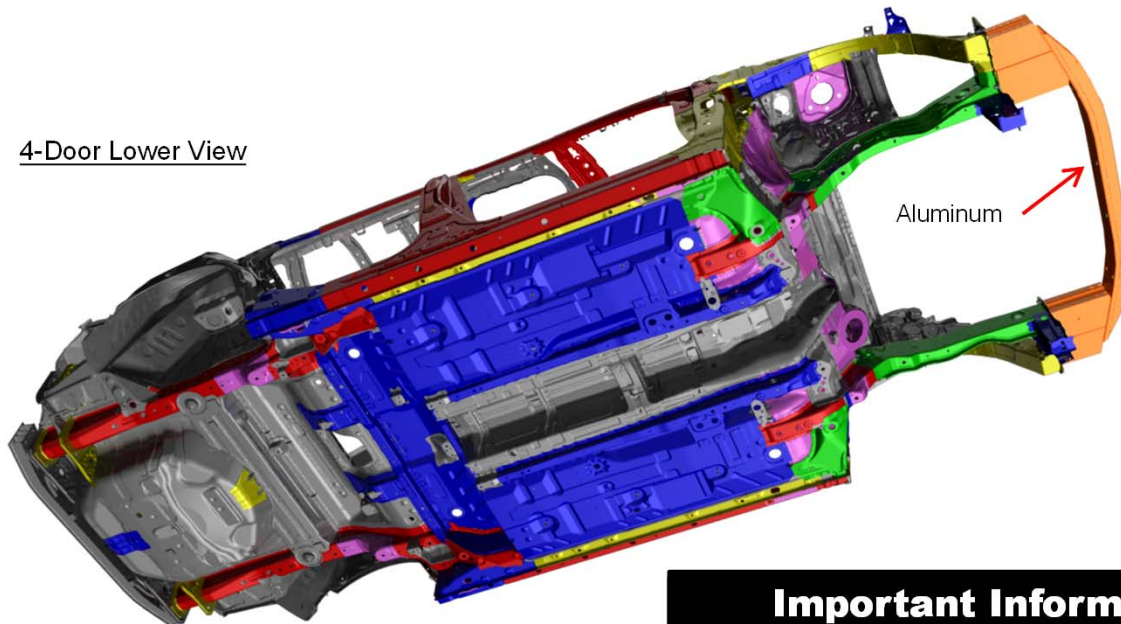
BODY CONSTRUCTION AND HIGH-STRENGTH STEEL CONTENT (4-DOOR MODELS)

- Steel parts are color coded based on their tensile strength in megapascals (MPa).
- High-strength steel (HSS) is defined as any steel with a tensile strength of 340 MPa or higher.
- Ultra-high-strength steel (UHSS) is defined as any steel with a tensile strength of 980 MPa or higher.
- Steel repair and welding procedures vary depending on the tensile strength of the parts involved.

4-Door Upper View



4-Door Lower View



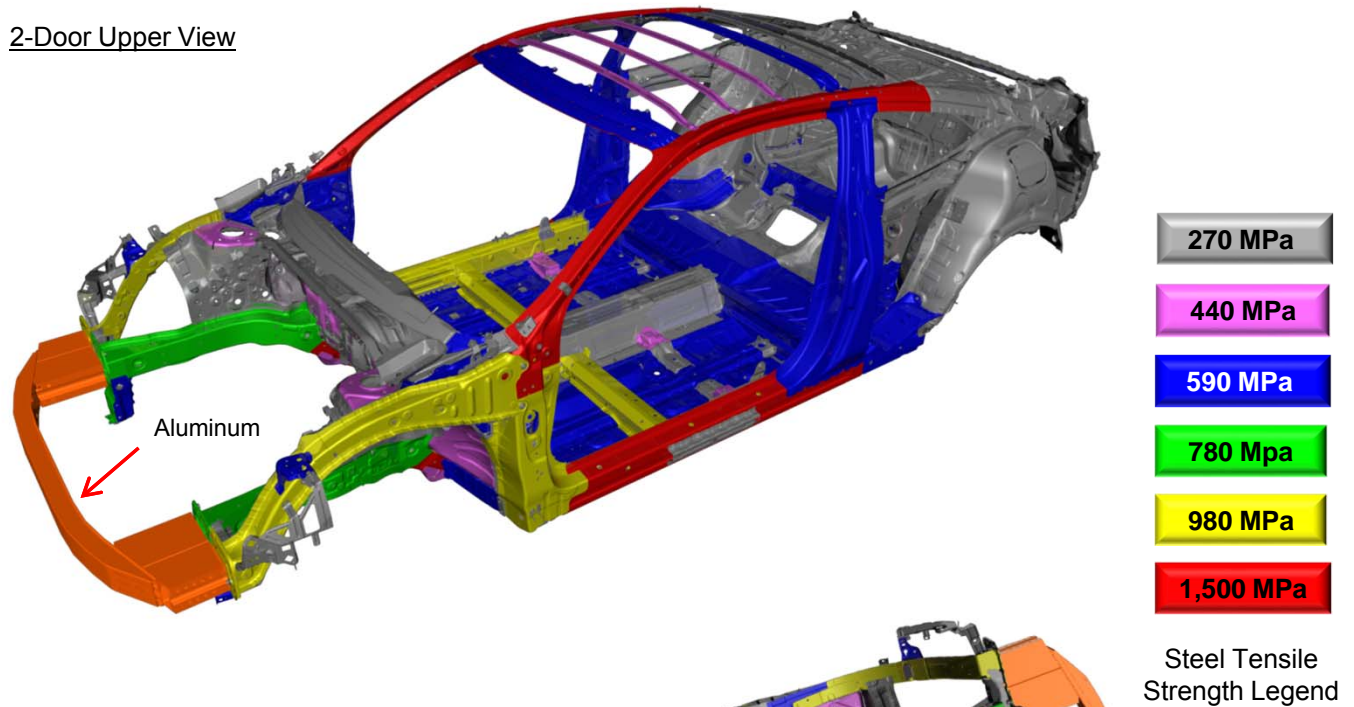
Important Information

These illustrations are for general reference only. Some body parts are constructed from multiple layers of different tensile strength steels. Refer to the body service information's body construction section for specific steel tensile strength information.

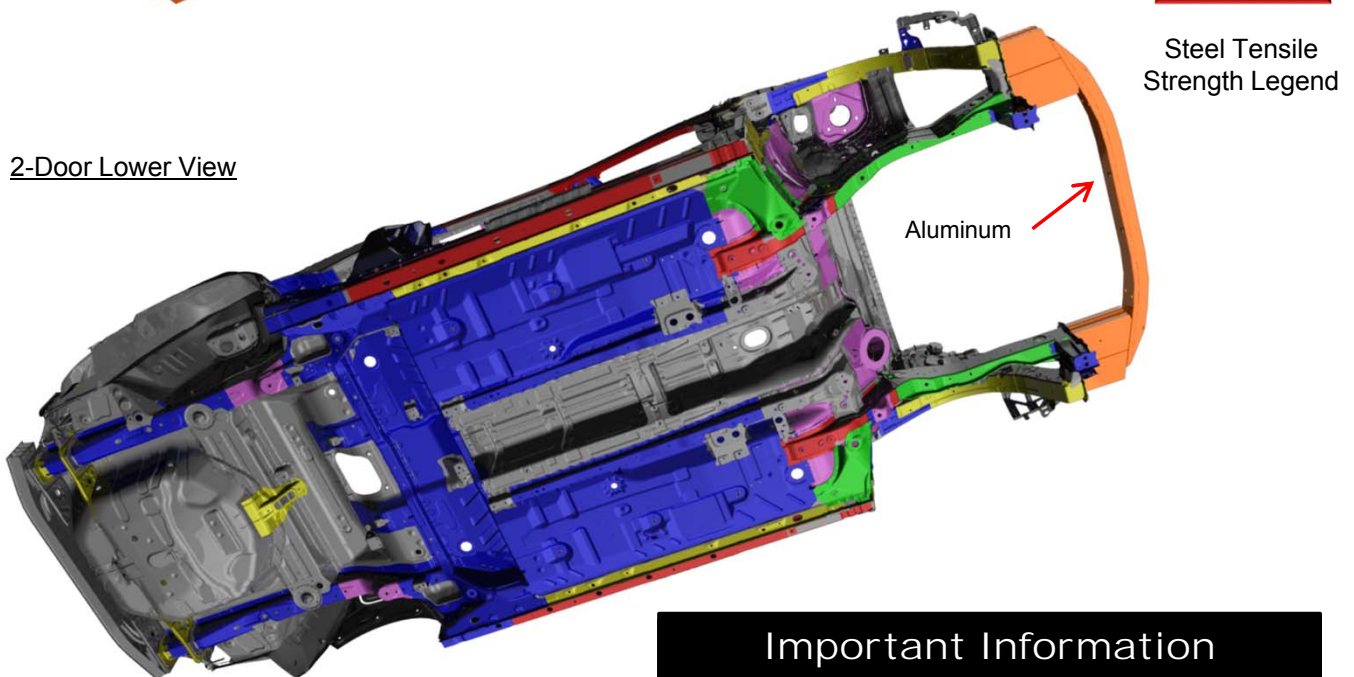
BODY CONSTRUCTION AND HIGH-STRENGTH STEEL CONTENT (2-DOOR MODELS)

- Steel parts are color coded based on their tensile strength in megapascals (MPa).
- High-strength steel (HSS) is defined as any steel with a tensile strength of 340 MPa or higher.
- Ultra-high-strength steel (UHSS) is defined as any steel with a tensile strength of 980 MPa or higher.
- Steel repair and welding procedures vary depending on the tensile strength of the parts involved.

2-Door Upper View



2-Door Lower View



Important Information

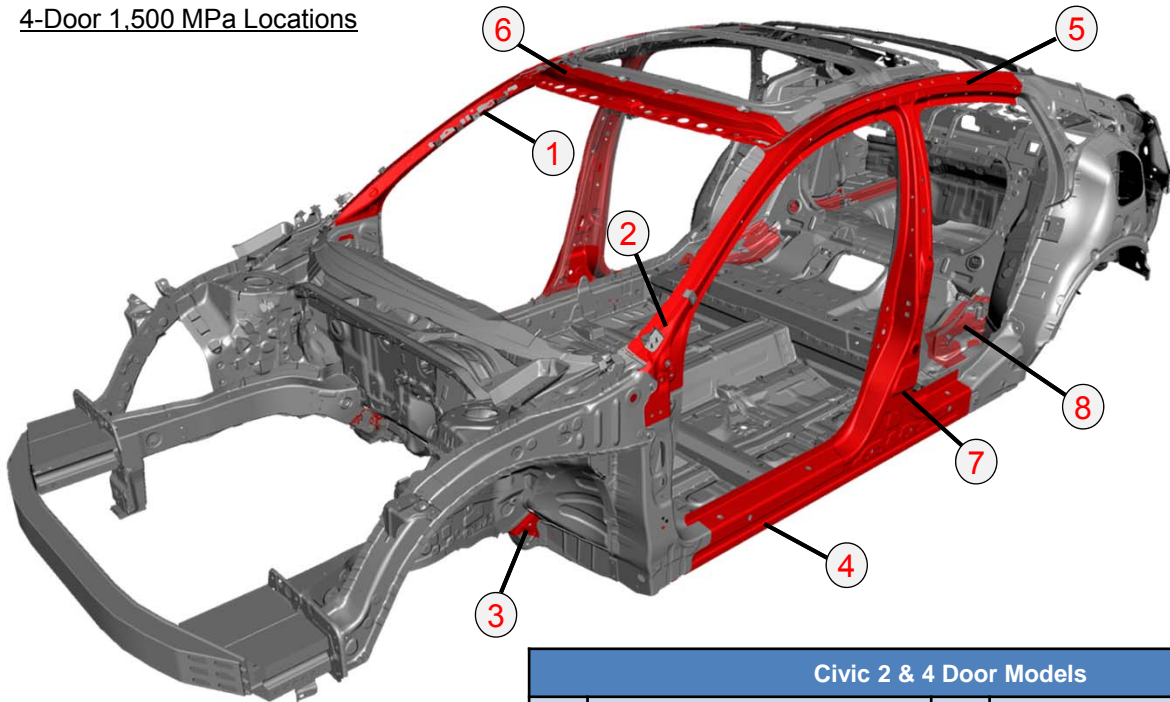
These illustrations are for general reference only. Some body parts are constructed from multiple layers of different tensile strength steels. Refer to the body service information's body construction section for specific steel tensile strength information.

1,500 MPa (HOT STAMP) STEEL LOCATIONS

1,500 MPa steel is stronger than ordinary steel, so it can help protect vehicle occupants while reducing overall vehicle weight to improve fuel efficiency.

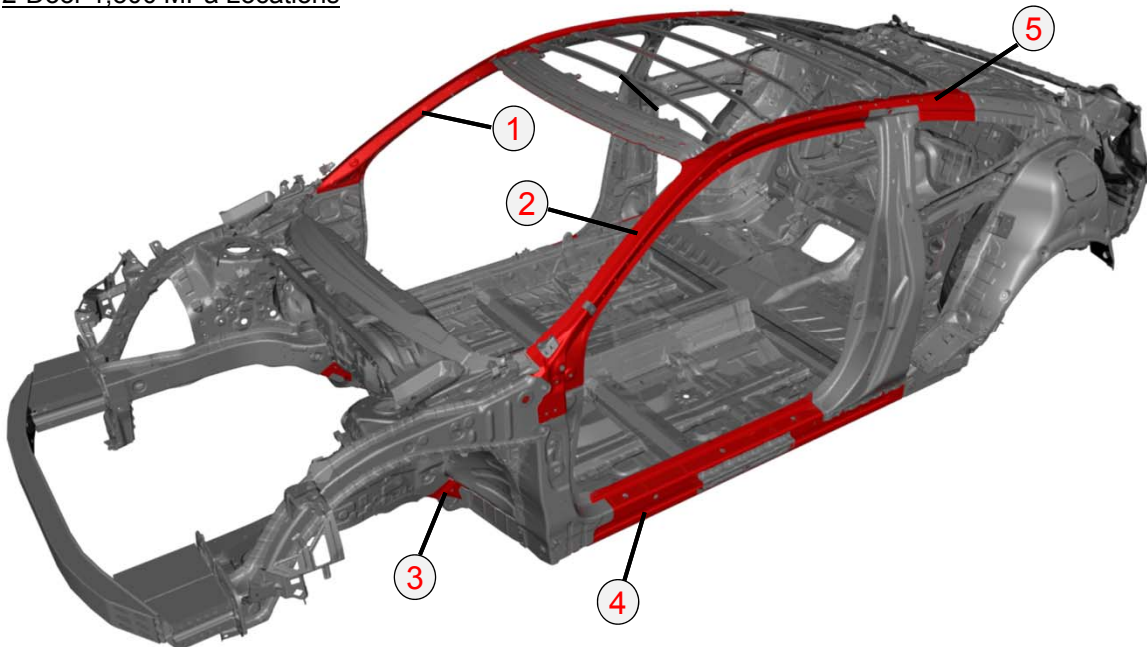
The numbered parts in the diagram below are constructed of 1,500 MPa steel:

4-Door 1,500 MPa Locations



Civic 2 & 4 Door Models			
1	Front Inner Upper Pillar	5	Roof Side Stiffener
2	Front Pillar Upper Stiffener	6	Roof Front Rail (4-Door)
3	Front Side Frame Extension	7	Center Pillar Stiffener (4-Door)
4	Side Sill Reinforcement	8	Rear Frame (4-Door)

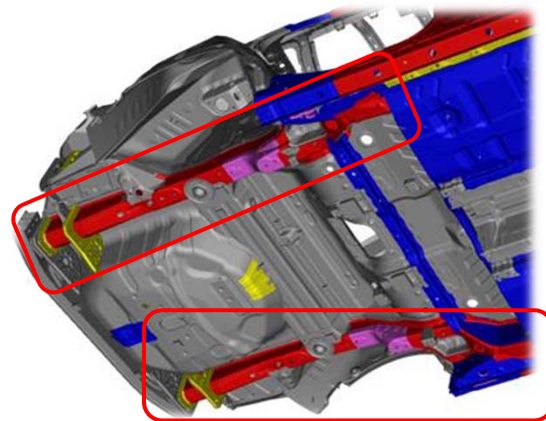
2-Door 1,500 MPa Locations



1,500 MPa STEEL REAR FRAME (4-DOOR MODELS)

4-door models utilize weight-saving 1,500 MPa steel rear frame rails with soft zones for impact crush control.

- If rear frame damage is suspected, measure the **entire** vehicle using a three-dimensional measuring system.
- If the rear frame is damaged, replace the affected rear frame(s) as a complete assembly only.
- The traditional replacement of only the rear portion of the frame (Rear Frame B) is **not** possible because the 1,500 MPa rear frame **cannot be sectioned**.
- For further repair information, refer to the following:
 - “Repairing 1,500 MPa Steel Parts” on **page 7** of this publication.
 - “Rear Floor/Rear Frame Replacement” in the body service information.



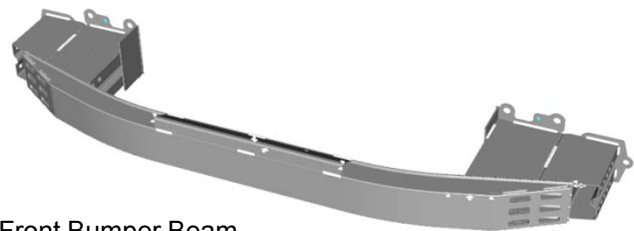
1,500 MPa Steel Rear Frame Rails

ALUMINUM PARTS & REPAIRABILITY

The front bumper beam uses 6000 series aluminum alloy construction.

Repairability Issues

- Do not repair damaged bumper beams.
- To help prevent galvanic corrosion, some fasteners for aluminum parts are considered one-time use and must be replaced if removed.

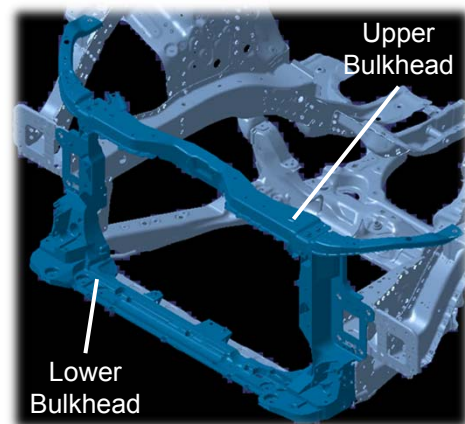


Front Bumper Beam

RESIN COMPOSITE FRONT BULKHEAD

This vehicle has a lower bulkhead assembly constructed of resin composite material.

- The upper bulkhead frame is constructed of 270 MPa mild steel.
- The front upper and lower bulkheads are only sold as a complete assembly.
- The bulkhead design improves engine compartment access during factory assembly and service.
- The cooling fans, radiator, A/C condenser, hood lock, outside air temperature sensor, and related piping/components are attached to the front bulkhead.
- The bulkhead is attached to the body with 20 bolts.
- A damaged bulkhead must be replaced.
- For more information, refer to “Front Bulkhead Replacement” in the body service information.



Resin Composite Front Bulkhead

FRONT BRACE COLLAR BOLTS

This front brace is located under the front bumper directly ahead of the front subframe.

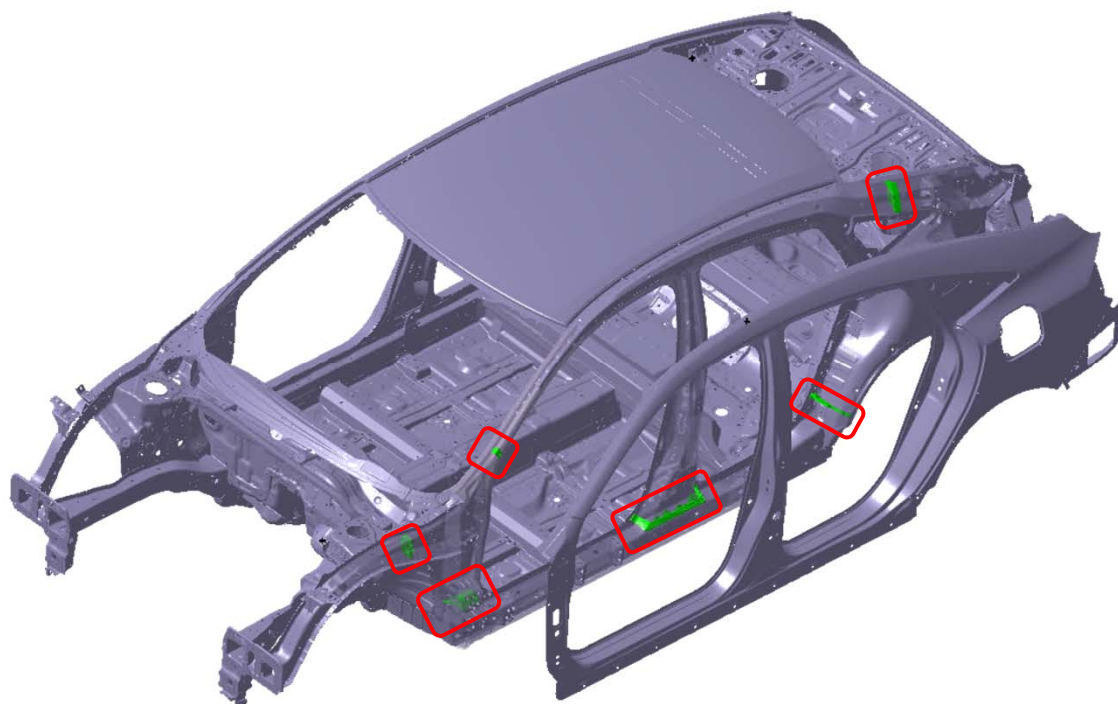
- The front brace is attached to the body using special collar bolts that compensate for body dimensional variations.
- A special removal and installation procedure is required
- For more information, refer to “Front Brace Removal and Installation” in the service information.



ACOUSTIC SEPARATOR LOCATIONS

A combination of molded, extruded, and tape acoustic separators are applied in various body locations.

- Locations are shown in the diagram below.
- These are applied within the body pillars.
- They are designed to block noise paths into the cabin from hollow body cavities.
- Repairs are similar to previous models using commercially-available products.
- Refer to the Replacement section of the body service information for specific procedures.



4-Door Separator Locations Shown - 2-Door Similar

CAPLESS FUELING SYSTEM

This vehicle uses a capless fueling system. It does not have a conventional fuel fill cap.

- A backup fuel door open cable is located under the parcel shelf.
- If you need to refuel the vehicle from a portable fuel container, a funnel is located in the trunk's spare tire well tool case.
- The fueling system can be damaged by directly inserting the nozzle of a portable fuel container or by using any funnel other than the one provided with the vehicle.
- For more information, refer to "Refueling From a Portable Fuel Container" in the owner's guide.



Capless Fueling System

TOWING AND LIFTING PRECAUTIONS

- Flat bed towing equipment is the preferred method to transport this vehicle.
- Front wheel lift towing equipment may also be used to tow this vehicle.

For more information, refer to "Emergency Towing" in the owner's guide or service information.

- Lift or jack only at the specified points to avoid damaging the vehicle.
- **Do not** lift or tow this vehicle by its bumpers, or serious damage will result.

For more information, refer to "Lift and Support Points" in the service information.



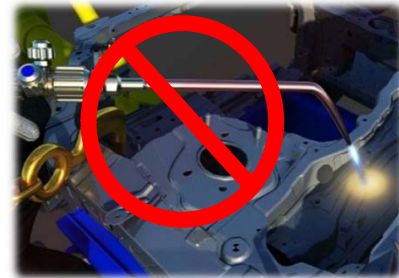
Body Repair Information

NOTE: The following content is intended only to highlight new/special concerns. No body repairs should be attempted without first referencing the appropriate body service information.

USE OF HEAT DURING BODY STRAIGHTENING AND REPAIR

When you are doing body straightening and repair procedures, follow these guidelines:

- **Do not** apply heat to any body part during straightening. This may compromise the internal structure and strength of high-strength steel parts.
- Any part that has heat applied to it during straightening **must** be replaced with new parts.
- Ignoring these instructions may significantly reduce occupant protection in any subsequent collision.



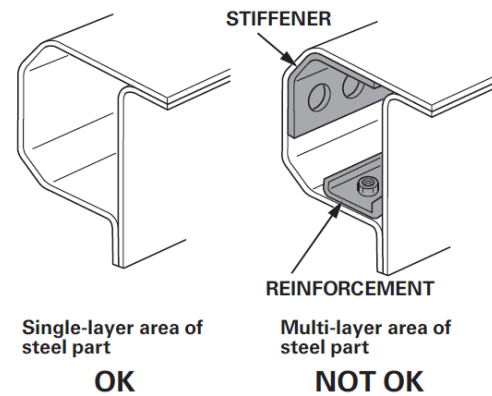
Do not heat during straightening

SECTIONING (CUT AND JOINT) GUIDELINES

Various high-strength steel materials with different sheet thicknesses and strengths are applied in many places that vary by body design in order to increase collision safety performance, body stiffness, and weight reduction. Stiffening members inside each part (patch, stiffener, etc.) are also specified in detail.

Follow these guidelines to avoid an unsafe repair:

- Sectioning (cut and joint) should usually be avoided except for mild steel outer panels and floor panels unless a specific procedure is provided in the body service information.
- However, depending on the type of vehicle damage, steel parts with a tensile strength ≤ 780 MPa may be sectioned provided **all** of the following conditions are met:
 - Sectioning must be done in a single-layer area of the part.
 - Multi-layer internal steel reinforcements and stiffeners must not be cut.
 - The repair is not in a load-bearing area such as engine, transmission, or suspension mounting points.
- Replace body structural components such as stiffeners, reinforcements, and other multi-layered steel parts as assemblies that match the replacement parts configuration.
- Approved welding methods are listed in the table on the right.
- Refer to the body service information for complete information.



Sectioning Area Examples

Steel Part Tensile Strength (MPa)	Welding Method		
	Spot Weld	MAG Welding	
		Plug	Butt
<590	○	○	○
590	○	○	○
780	○	○	○
980	○	○	X
1500	○	X	X

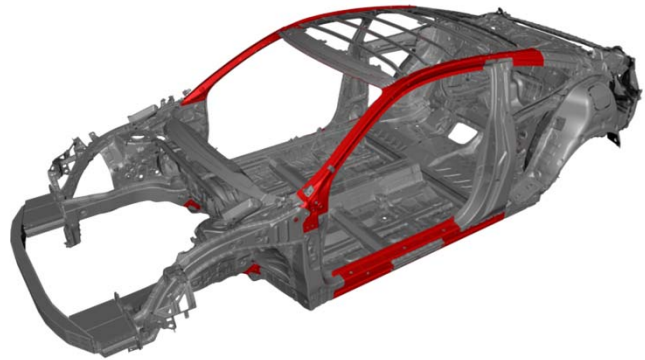
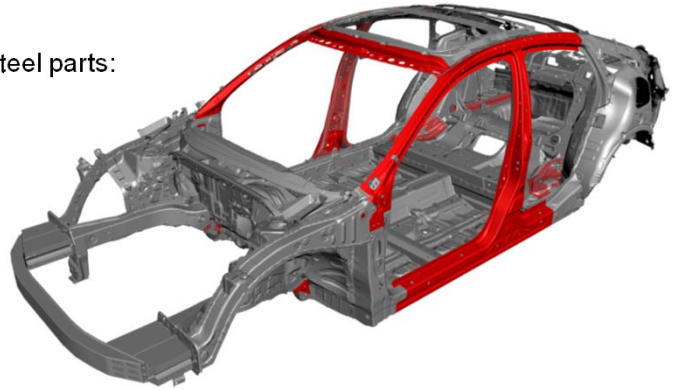
Welding Methods for Steel Parts
(○ = Approved X = Not Approved)

Welding Precautions and Information

REPAIRING 1,500 MPa STEEL PARTS

Observe these precautions when repairing 1,500 MPa steel parts:

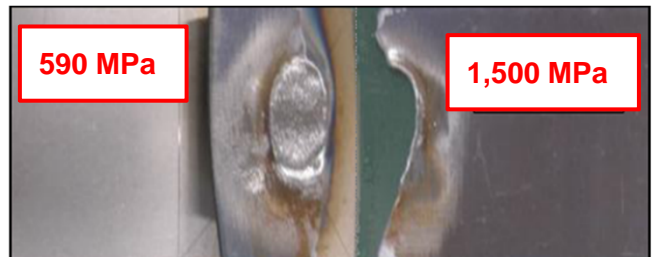
- **Never** attempt to straighten damaged 1,500 MPa steel parts; they may crack.
- 1,500 MPa steel parts **must** be replaced at factory seams using squeeze-type resistance spot welding (STRSW). **Do not section these parts!**
- MIG brazed joints should be used **only** in locations not accessible by a spot welder.
- To assure adequate weld tensile strength, always manually set the spot welder to the specifications provided in the body service information.



Important Information

Parts made of Ultra-High-Strength Steel (UHSS/1,500MPa/USIBOR) must be installed as a complete part. No sectioning is allowed. Ultra-High-Strength Steel requires special welding equipment, procedures, and settings. See the welding section of the body service information. Failure to use the proper equipment or follow the proper procedures can result in an unsafe repair.

- **Never** do MAG welding on 1,500 MPa steel. The heat generated during MAG welding will significantly reduce the strength and structural integrity of 1,500 MPa steel parts.
- The photo on the right shows tensile strength test results of MAG welded 1,500 MPa steel. The 1,500 MPa steel fractured first because the welding heat reduced its strength to far below 590 MPa.
- For more details, refer to the body service information “Basic Welding Information” section.



Tensile Test Results of MAG-Welded 1,500 MPa Steel

MIG BRAZING GUIDELINES FOR 1,500 MPa STEEL PARTS

Refer to the body service information for complete procedures.

- MIG-brazed joint locations are specified in the body service information.
- A single- or double-hole MIG braze may be specified in the body service information depending on the tensile strength of the parts being joined.
- The size and number of holes are critical to achieving adequate joint strength.
- A MIG welder with pulse control **must** be used. Refer to the equipment manufacturer’s instructions for welder voltage and current setup.
- The photos on the right show the difference in results between pulsed and non-pulsed MIG brazing.



Pulsed MIG (OK)



w/o Pulsed MIG (NG)



MAG WELDING SPECIFICATIONS FOR 590–980 MPa HIGH-STRENGTH STEEL PARTS

NOTE: In this publication and the body service information, gas metal arc welding (GMAW) is referred to by its subtypes depending on requirements as follows:

- **MIG welding/brazing** = Metal inert gas welding or brazing where 100% argon (Ar) shielding gas is used. Argon is inert and does not react with the molten weld pool or brazing operation.
- **MAG welding** = Metal active gas welding where the shielding gas being used contains a mixture of 80% argon (Ar) and 20% carbon dioxide (CO₂). It is considered active because the CO₂ undergoes a limited reaction with the molten weld pool.
- For MAG welding, 80/20 shielding gas (C20) is preferred. However, 75/25 (C25) is acceptable

Important Information

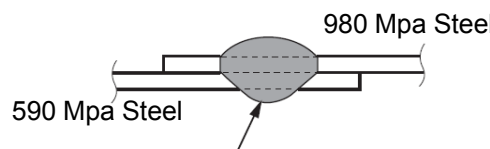
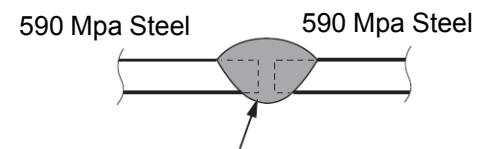
Parts made of High-Strength Steel (590-980 MPa) must often be installed as a complete part. Section **only** according to published repair information and guidelines. This high-strength steel requires special welding equipment, procedures, and settings. See the welding section of the body service information. Failure to use the proper equipment or follow the proper procedures can result in an unsafe repair.

The body service information specifies the weld types and locations for each body panel as follows:

- The welding wire used must have a tensile strength equal to or greater than the lowest tensile strength of the parts being welded. The conversion chart on the right shows the relationship of steel tensile strength (MPa) to the minimum welding wire tensile strength (ksi).
- Typical ER70S-6 MIG wire has a minimum tensile strength of 70 ksi (483 MPa). It can be used when welding up to 440 MPa steel parts. Refer to the diagrams shown below:

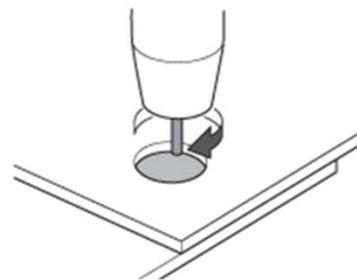
Steel Tensile (MPa)	Wire Tensile (ksi)
590	≥86
780	≥113
980	≥142

(1,000 psi = 1 ksi)

<p style="text-align: center;">MAG Plug Welds</p>  <p style="text-align: center;">Wire tensile strength must be ≥590 MPa (86 ksi)</p>	<p style="text-align: center;">MAG Butt Welds</p>  <p style="text-align: center;">Wire tensile strength must be ≥590 MPa (86 ksi)</p>
---	--

MAG PLUG WELDING GUIDELINES

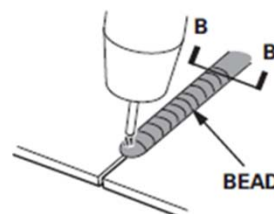
- MAG plug welding may be done when joining body components to 590–980 MPa steel parts.
- Follow the recommendations described in the body service information “Basic Welding Information” section.



MAG Plug Welding

MAG BUTT WELDING GUIDELINES

- MAG butt welding may be done **only** on steel parts with a tensile strength of 780 MPa and lower.
- Welding speed is critical to achieve the correct weld strength and minimize the heat affected zone (HAZ).
- Follow the recommendations described in the body service information “Basic Welding Information” section.



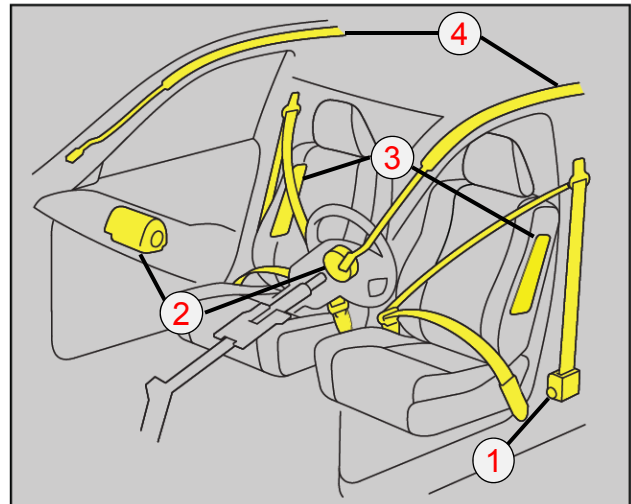
MAG Butt Welding

Airbag System Components and Repairs

AIRBAG SYSTEM COMPONENTS

The airbag system in this vehicle includes the following components that may deploy in a collision:

1. Driver's and front passenger's seat belt tensioners (may deploy independently from any airbags).
2. Driver's and front passenger's SRS airbags.
3. Side airbags mounted in the driver's and front passenger's outer seat-backs.
4. Side curtain airbags mounted above the left and right side windows under the headliner.



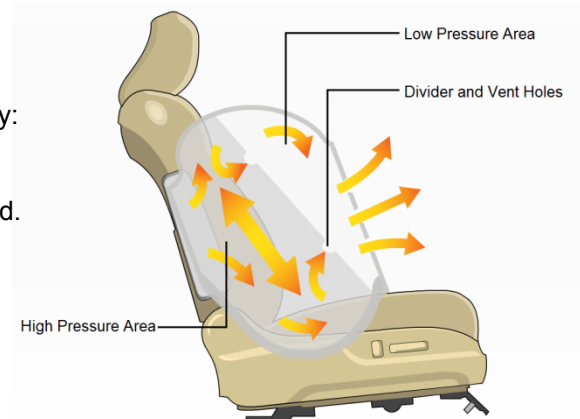
SMARTVENT™ SIDE AIRBAGS

This vehicle is equipped with SmartVent side airbags:

- This airbag design helps mitigate the risk of excessive airbag deployment force and risk of injury to smaller seat occupants.
- It eliminates the need for the occupant position detection system (OPDS) sensor located in the front passenger's seat-back.

As with all side airbags, the following service precautions apply:

- Special seat covers and/or breakaway thread are used to ensure the proper deployment path.
- Damaged front seat covers should be replaced, not repaired.
- Do not install non-factory seat covers; they may alter the airbag's intended deployment path.



SmartVent Side Airbag

AIRBAG SYSTEM INDICATORS

There are two indicators used for the airbag system.

Supplemental Restraint System (SRS) Indicator

When you turn the ignition to ON, this indicator should come on and then turn off after about 6 seconds.

- If the SRS indicator does not go off or does not come on at all, there is a problem with the system.
- DTCs must be read and cleared using the HDS (or equivalent) scan tool. Contact a Honda dealer for assistance if necessary.
- If a vehicle is sent to the dealer for airbag system repair or troubleshooting, include a copy of the repair estimate with part numbers and the source for any replaced airbag system parts.



SRS Indicator

PASSENGER AIRBAG OFF Indicator

The indicator comes on to alert you that the passenger's front airbag has been turned off.

- This occurs when the front passenger's seat weight sensors detect about 65 lb. (29 kg) or less, the weight of an infant or small child on the seat.
- Unlike previous Honda models, this indicator stays on when the front passenger's seat is empty. This is due to a design change in the front passenger's seat weight sensors.



PASSENGER AIRBAG OFF Indicator

AIRBAG SYSTEM REPAIRS REQUIRED AFTER DEPLOYMENT

To restore proper function and allow DTCs to be cleared, the airbag system **must** be repaired as specified in the service information. Refer to "Component Replacement/Inspection After Deployment" for complete information.

- **Do not** install used, refurbished, or modified airbag system parts!
- When making airbag system repairs, only use new genuine Honda replacement parts, which are manufactured to the same standards and quality as the original parts.
- To ensure the correct replacement airbag system parts are installed, provide the VIN when ordering parts. Compare the part numbers on the new and removed parts to make sure they match.
- The front passenger's seat weight sensor must be initialized with the HDS under these conditions:
 - The SRS unit is replaced
 - The front passenger's seat, seat frame, weight sensor, and/or seat rail is removed or replaced
- For more information, refer to "Front Passenger's Weight Sensor Initialization" in the service information.

AIRBAG SYSTEM ELECTRICAL REPAIRS

Except when doing electrical inspections that require battery power, always turn the ignition to OFF, disconnect the negative battery cable, then wait at least 3 minutes before starting work.

- For easier identification, electrical connectors that contain only airbag system wiring are yellow in color.
- Many harnesses that contain primarily airbag wiring are also wrapped in yellow tape.
- Airbag system wiring that runs in a common harness, such as a floor harness, is generally not marked.
- **Never** attempt to modify, splice, or repair airbag system wiring. If any part of the airbag system wiring is damaged, replace the affected wiring harness(es).

NOTE: Refer to the service information for complete restraint systems operation, diagnostic, and repair information.



Electrical & Driver Support Systems Repair Information

TIRE PRESSURE MONITORING SYSTEM (TPMS)

This vehicle is equipped with an indirect TPMS. It uses the VSA wheel speed sensors to monitor and compare tire characteristics while driving to determine if one or more tires are significantly underinflated.

The Low Tire Pressure/TPMS indicator blinks and/or comes on under these conditions:

- The air pressure is too low in one or more tires.
- The system requires calibration or is calibrating.
- The compact spare is mounted.
- There is a TPMS problem.



Low Tire Pressure/TPMS Indicator

TPMS calibration must be started every time you do the following:

- Adjust the pressure in one or more tires
- Rotate the tires
- Replace one or more tires
- Replace or update the VSA-modulator control unit

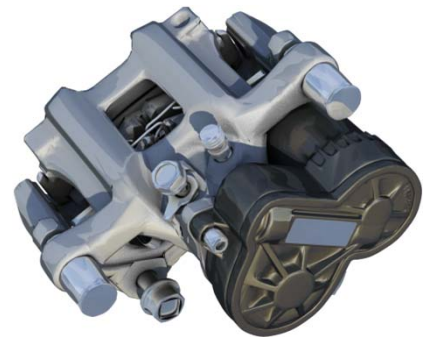
Refer to “TPMS Calibration ” in the service information or owner’s guide for complete information.

Contact a Honda dealer for assistance if necessary.

ELECTRIC PARKING BRAKE

All models are equipped with an electric parking brake and brake hold system.

- Electric actuators on each rear brake caliper apply and release the brake pads.
- A manual procedure is provided if a malfunction prevents parking brake release.
- Refer to “Electric Parking Brake Forced Cancellation,” in the service information.



Electric Parking Brake Caliper

SYSTEMS THAT MAY REQUIRE DEALER ASSISTANCE WITH AIMING

Some models may be equipped with one or more of the following systems that require aiming after collision repairs. Special tools are required to complete the aiming procedures. Contact a Honda dealer for assistance.

Forward Collision Warning and Lane Departure Warning (FCW/LDW):

The multipurpose camera unit must be re-aimed in these instances:

- The camera unit is removed or replaced.
- The windshield is removed or replaced.

If the aiming is incomplete, the Forward collision warning and Lane departure warning indicators will come on and blink.

Forward collision warning and Lane departure warning messages may also appear.



Lane Departure Warning Indicator



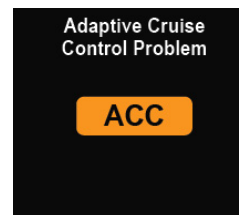
Forward Collision Warning/Collision Mitigation Braking System Indicator



Adaptive Cruise Control (ACC) and Collision Mitigation Braking System™ (CMBS™):

The millimeter wave radar for the ACC/CMBS must be re-aimed in these instances :

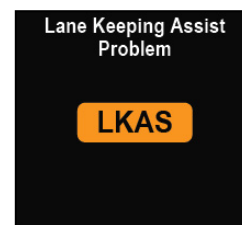
- The radar unit is removed or replaced.
- The radar unit's mounting area was damaged.
- If the aiming process is not completed, or the procedure in the service information is not followed, the ACC indicator changes to amber and a message may also appear.



Lane Keeping Assist System (LKAS):

The multipurpose camera unit must be re-aimed in these instances:

- The camera/control unit is removed or replaced.
- The windshield is removed or replaced.
- If the aiming is not done or is not completed, the LKAS indicator changes to amber and blinks. A message may also appear.



Windshield Replacement On FCW/LDW/LKAS-Equipped Vehicles:

- Windshield damage within the multipurpose camera unit's field of vision can cause any of these systems to operate abnormally.
- Only a genuine Honda replacement windshield should be installed. Installing an aftermarket replacement windshield may also cause abnormal operation.

NOTE: Appearance of messages on the vehicle may vary slightly

LaneWatch™:

LaneWatch is an assistance system that uses a camera in the passenger's side door mirror along with the center display. It helps provide improved visibility of passenger side rear area for the driver.

The LaneWatch camera must be aimed after one or more of the following procedures are done:

- LaneWatch camera removal or replacement
- Door mirror removal or replacement
- Door panel removal or replacement
- Door panel body repair

LaneWatch does not set DTCs. Troubleshooting and camera aiming are done using the navigation system or center display self-diagnostics.

LaneWatch does not use an indicator to inform the driver of a malfunction.

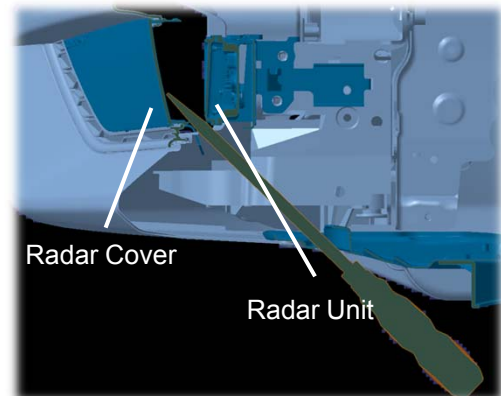


LaneWatch Camera Location

ACC/CMBS RADAR COVER

Some models are equipped with Adaptive Cruise Control and a Collision Mitigation Braking System™ (CMBS™). These systems use a millimeter wave radar unit mounted behind a plastic cover on the lower left side of the front bumper.

- This radar unit senses through a plastic cover attached to the left front fog light trim using hook-style clips.
- This part is specially designed to prevent radar interference.
- Do not paint or install any coverings over the radar cover. This may cause the Collision mitigation braking system indicator to come on and DTC P2583-97 (dust or dirt on the millimeter wave radar) to set.
- Radar cover removal requires a specific procedure and can be difficult. Refer to "Millimeter Wave Radar - Vertical Radar Aim" in the service information.



Side Cutaway View - Left Front Bumper Area

HVAC SYSTEM AND R-1234yf A/C REFRIGERANT

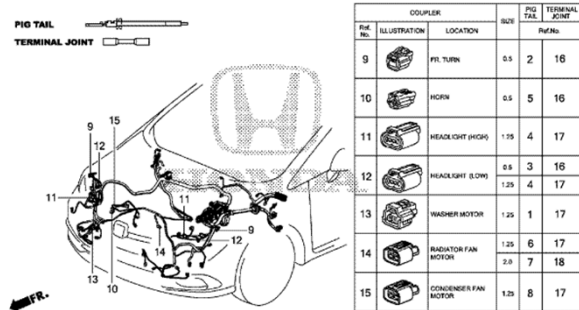
This vehicle's A/C system uses the more environmentally-responsible R-1234yf refrigerant.

- R-1234yf refrigerant is considered "mildly flammable." Be sure to observe all basic safety precautions for working around flammable gases. Refer to "A/C Service Tips and Precautions" in the service information.
- The system should only be serviced by qualified A/C technicians trained to handle R-1234yf refrigerant.
- Refrigerant recovery, charging, and leak detection all require dedicated tools and equipment designed and SAE approved for use with R-1234yf.
- Honda dealers have this equipment. Please contact your local dealer if you need assistance.
- RL85HM POE refrigerant oil is used in this A/C system. **Do not** use any other type of refrigerant oil.
- The receiver/dryer is integrated into the A/C condenser assembly and cannot be replaced separately.
- The receiver/dryer's desiccant bag is serviceable separately.



ELECTRICAL PIGTAIL AND CONNECTOR REPAIR

- Disconnect the vehicle's battery before doing any welding or electrical repairs. Refer to "12 Volt Battery Terminal Disconnection and Reconnection" in the service information.
- Certain front and rear electrical connectors subject to collision damage may be repaired using pigtails and connectors listed in the ELECTRICAL CONNECTORS illustrations in the parts catalog (example shown here).
- Pigtails attach to the vehicle wiring using special crimp-and-seal terminal joints. After crimping, the joints are heated using a heat gun to seal out the environment.
- Repair pigtails come in a limited range of colors that usually do not match the vehicle's wiring. Pay close attention during repairs to ensure correct locations.
- Vehicle wiring schematics service information can be found in the electrical wiring diagrams (EWD).
- If wiring is damaged and a repair pigtail or connector is not available, replace the affected harness.
- **Never** attempt to modify, splice, or repair airbag system wiring.



P/N	ILLUSTRATION	LOCATION	COUPLER	
			SIZE	TERMINAL JOINT
9		REL TURN	0.5	2 16
10		HORN	0.5	5 16
11		HEADLIGHT (HORN)	1.25	4 17
12		HEADLIGHT (LOW)	0.5	3 16
			1.25	4 17
13		WASHER MOTOR	1.25	1 17
14		RADIATOR FAN MOTOR	1.25	6 17
			2.0	7 18
15		CONDENSER FAN MOTOR	1.25	8 17

ELECTRICAL GROUNDS & PROTECTION

Failure to protect ground locations is the #1 cause of post-collision electrical problems on our vehicles.

- Painting over electrical ground locations may cause electrical systems, such as vehicle stability assist (VSA), to malfunction and set DTCs that may be difficult to diagnose.
- Protect the ground wire with masking tape and the ground wire mounting hole threads with a bolt or silicone plug when priming or painting.
- Honda ground bolts are almost always non-anodized, zinc plated self-cutting bolts. They can be identified by the triangular notch in the threads. Using the wrong bolt can cause ground problems.
- Do not use star or burred washers on electrical grounds.

