

**WF77 - Replacing Tank Leakage Diagnosis Module (Workshop Campaign)**

Model line: **911 Carrera (991)**  
**Boxster (981)**

Model Year: **2013**

Country/mark-  
et: USA (C02)

Equipment: Tank leakage diagnosis (**I-no. 664**)

Subject: **Tank leakage diagnosis module**

Issue: **Under certain regional environmental conditions, e.g. dust and humidity, there is a possibility that particles of dirt can get into the tank leakage diagnosis module.**

This can cause over-sensitive tank leakage diagnosis and the Check Engine light may be activated.

Remedial  
action: Replace tank leakage diagnosis module and air cleaner for carbon canister.

Affected  
Vehicles: Only the vehicles assigned to the campaign (see also PIWIS Vehicle information). This campaign affects 5,766 vehicles in North America.

Parts Info: **NOTE: PARTS FOR THIS CAMPAIGN WILL BE AUTOMATICALLY ALLOCATED FOR UP TO 50% OF THE VEHICLES THAT ARE SERVICED AT YOUR DEALERSHIP. ONCE YOUR DEALERSHIP IS OUT OF STOCK AND REQUIRES ADDITIONAL PARTS, PLEASE SUBMIT A PTEC/PAV.**

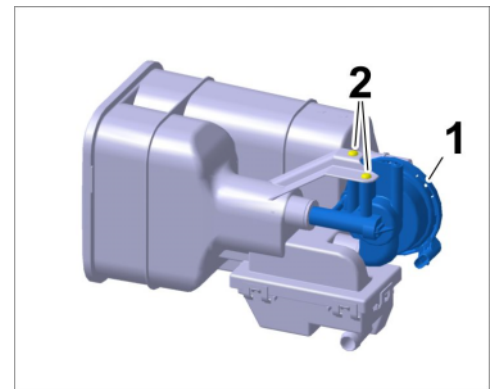
Part No.	Designation	Qty.
000 043 210 34	⇒ Pressure switch for tank leakage diagnosis module	1
000 043 210 07	⇒ Filter	1

Tools:

- Torque screwdriver, 1.5 – 3 Nm (1 – 2 ftlb.), e.g. **VAS 6494 - Torque screwdriver**
- Torque wrench, 6 – 50 Nm (4.5 – 37 ftlb.), e.g. **V.A.G 1331 - Torque wrench, 6-50 Nm (4.5-37 ftlb.)**

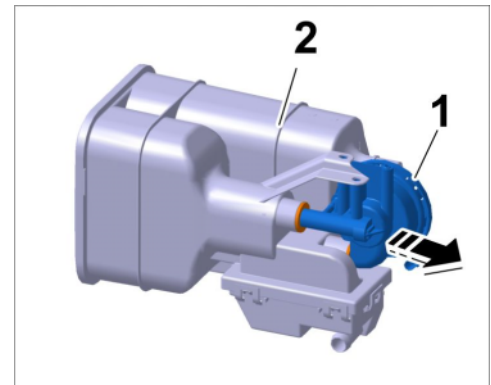
Procedure: 1 Move cover in luggage compartment to service position ⇒ *Workshop Manual '852219 Removing and installing cover'*.

- 2 Loosen battery retaining bracket and push the battery with connected lines to the right ⇒ *Workshop Manual '270619 Removing and installing battery'*.
- 3 Open housing cover for particle filter and remove the particle filter ⇒ *Workshop Manual '851819 Removing and installing particle filter'*.
- 4 Remove carbon canister with tank leakage diagnosis module ⇒ *Workshop Manual '202519 Removing and installing carbon canister'*.
- 5 Remove tank leakage diagnosis module from the carbon canister.
  - 5.1 Loosen and unscrew fastening screws ⇒ *Loosening tank leakage diagnosis module -2-* for the tank leakage diagnosis module ⇒ *Loosening tank leakage diagnosis module -1-*.



*Loosening tank leakage diagnosis module*

- 5.2 Carefully pull tank leakage diagnosis module ⇒ *Removing tank leakage diagnosis module -1-* out of the connection on the carbon canister ⇒ *Removing tank leakage diagnosis module -2-* (⇒ *Removing tank leakage diagnosis module -arrow-*) and remove it.



*Removing tank leakage diagnosis module*

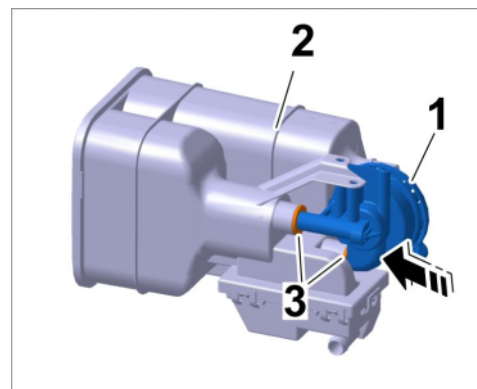
6 **Install new** tank leakage diagnosis module.



**Information**

The following installation sequence must always be observed in order to prevent leaks that can cause fuel or fuel vapors to leak out.

No lubricant (grease, etc.) must be used on the sealing grommet in order to fit the tank leakage diagnosis module on the carbon canister.

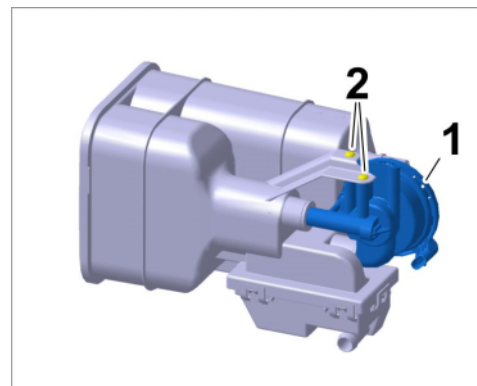


*Installing tank leakage diagnosis module*

6.1 Check the position of the sealing sleeves  
 ⇒ *Installing tank leakage diagnosis module -3-*. If necessary, pull the sealing sleeves off the tank leakage diagnosis module you have just removed without using tools and press them into the carbon canister ⇒ *Installing tank leakage diagnosis module -2-*.

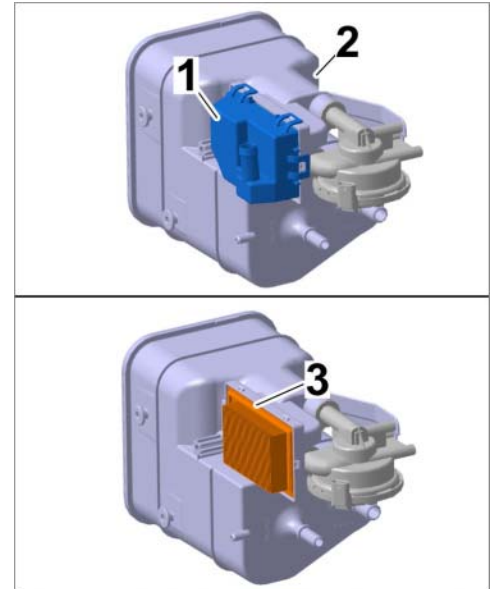
6.2 Carefully push connecting pipes for the tank leakage diagnosis module ⇒ *Installing tank leakage diagnosis module -1-* through the sealing sleeves ⇒ *Installing tank leakage diagnosis module -3-* as far as they will go into the connection on the carbon canister ⇒ *Installing tank leakage diagnosis module -2-* (⇒ *Installing tank leakage diagnosis module -arrow-*).

6.3 Screw in and tighten fastening screws ⇒ *Securing tank leakage diagnosis module -2-* for the tank leakage diagnosis module ⇒ *Securing tank leakage diagnosis module -1-*.  
**Tightening torque 1.5 Nm (1 ftlb.)**  
 +/-0.3 Nm (+/-0.2 ftlb.)



*Securing tank leakage diagnosis module*

- 7 Replace air filter on the carbon canister.
  - 7.1 Unclip cover ⇒ *Replacing air filter -1-* all around the carbon canister ⇒ *Replacing air filter -2-* and remove it.
  - 7.2 Remove air cleaner ⇒ *Replacing air filter -3-* and replace it with a **new** air cleaner.
  - 7.3 Position cover ⇒ *Replacing air filter -1-* on the carbon canister ⇒ *Replacing air filter -2-* and press it in until all locking lugs engage securely.
- 8 Install carbon canister with tank leakage diagnosis module ⇒ *Workshop Manual '202519 Removing and installing carbon canister'*.
- 9 Install particle filter ⇒ *Workshop Manual '851819 Removing and installing particle filter'*.
- 10 Secure the battery ⇒ *Workshop Manual '270619 Removing and installing battery'*.
- 11 Fit cover in luggage compartment ⇒ *Workshop Manual '852219 Removing and installing cover'*.
- 12 Enter the campaign in the Warranty and Maintenance booklet.



Replacing air filter

## Scope:

**Working time:**

Replacing tank leakage diagnosis module

Labor time: **42 TU**

Includes: Removing and installing cover in luggage compartment  
 Loosening and securing battery  
 Removing and installing particle filter  
 Removing and installing carbon canister with tank leakage diagnosis unit

**Parts required:**

000 043 210 34	Pressure switch for tank leakage diagnosis module	1
000 043 210 07	Filter	1

**Warranty Invoicing:** ⇒ **Damage Code WF77 66 000, Repair Code 2**References: ⇒ *Workshop Manual '202519 Removing and installing carbon canister'*

- ⇒ *Workshop Manual '270619 Removing and installing battery'*
- ⇒ *Workshop Manual '851819 Removing and installing particle filter'*
- ⇒ *Workshop Manual '852219 Removing and installing cover'*

**Important Notice:** Technical Bulletins issued by Porsche Cars North America, Inc. are intended only for use by professional automotive technicians who have attended Porsche service training courses. They are written to inform those technicians of conditions that may occur on some Porsche vehicles, or to provide information that could assist in the proper servicing of a vehicle. Porsche special tools may be necessary in order to perform certain operations identified in these bulletins. Use of tools and procedures other than those Porsche recommends in these bulletins may be detrimental to the safe operation of your vehicle, and may endanger the people working on it. Properly trained Porsche technicians have the equipment, tools, safety instructions, and know-how to do the job properly and safely. If a particular condition is described, do not assume that the bulletin applies to your vehicle, or that your vehicle will have that condition. See your authorized Porsche Dealer for the latest information about whether a particular technical bulletin applies to your vehicle. Part numbers listed in these bulletins are for reference only. Always check with your authorized Porsche dealer to verify the current and correct part numbers. The work procedures updated electronically in the Porsche PIWIS diagnostic and testing device take precedence and, in the event of a discrepancy, the work procedures in the PIWIS Tester are the ones that must be followed.

© Porsche Cars North America, Inc.

---

Dealership	Service Manager	_____	Shop Foreman	_____	Service Technician	_____	_____	_____	_____
Distribution									
Routing	Asst. Manager	_____	Warranty Admin.	_____	Service Technician	_____	_____	_____	_____

---

Dr. Ing. h.c. F. Porsche AG is the owner of numerous trademarks, both registered and unregistered, including without limitation the Porsche Crest®, Porsche®, Boxster®, Carrera®, Cayenne®, Cayman®, Macan®, Panamera®, Speedster®, Spyder®, 918 Spyder®, Tiptronic®, VarioCam®, PCM®, PDK®, 911®, RS®, 4S®, FOUR, UNCOMPROMISED®, and the model numbers and the distinctive shapes of the Porsche automobiles such as, the federally registered 911 and Boxster automobiles. The third party trademarks contained herein are the properties of their respective owners. Porsche Cars North America, Inc. believes the specifications to be correct at the time of printing. Specifications, performance standards, standard equipment, options, and other elements shown are subject to change without notice. Some options may be unavailable when a car is built. Some vehicles may be shown with non-U.S. equipment. The information contained herein is for internal authorized Porsche dealer use only and cannot be copied or distributed. Porsche recommends seat belt usage and observance of traffic laws at all times.

Printed in the USA