



# Ferrari North America

## Technical Information

Date: April 2016  
Bulletin #: 2314  
Campaign #:  
Supersedes:  
Section: 9

**Model Type:** 488 GTB, 488 Spider  
**Model Year:** All  
**Subject:** Installation of front and rear license plate holders

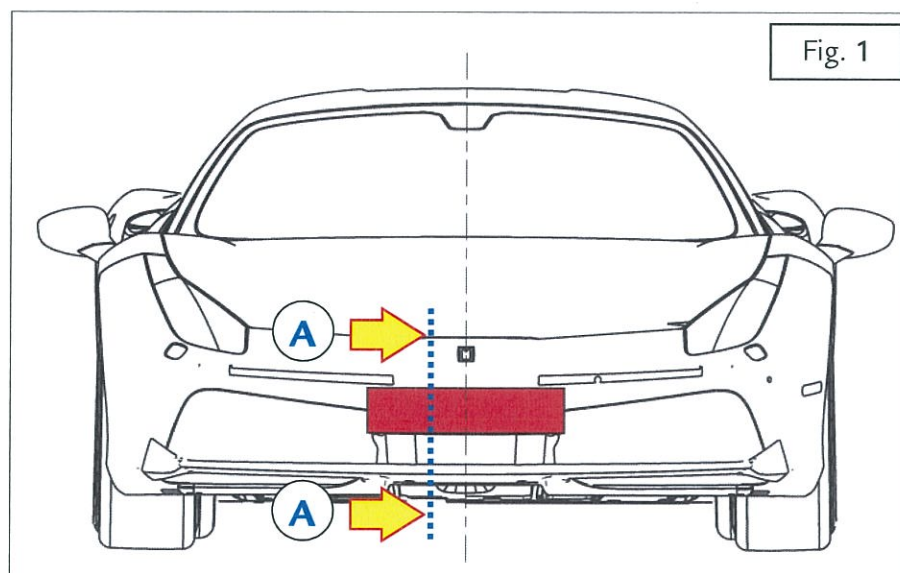
The instructions for fitting the front and rear license plates are given as follows.

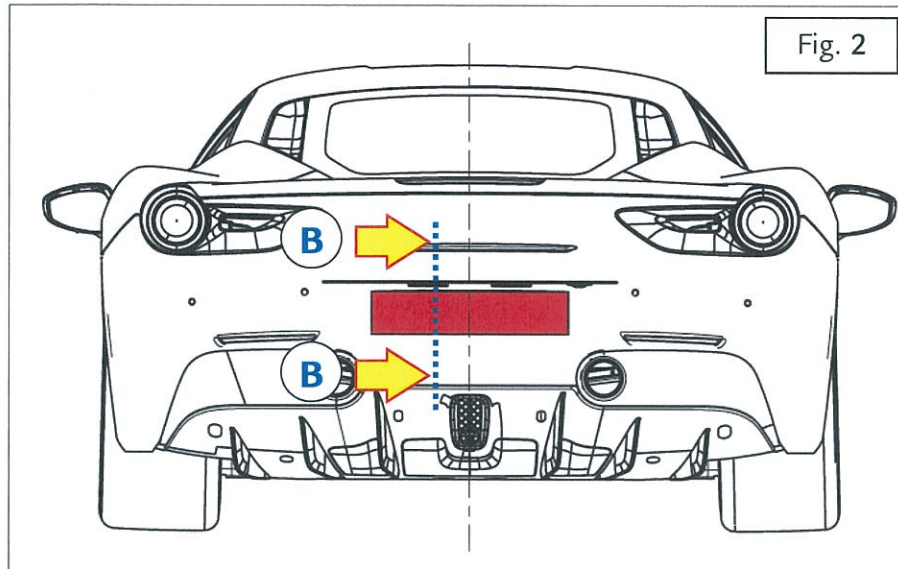
The vehicle is shipped from the factory with a specific kit for the destination market for installing the front and rear license plate holders.

The market-specific kit consists of:

- Complete front license plate holder;
- Rear license plate holder;
- Bag containing fastener hardware for installing license plate holders.

While the front license plate holder (Fig. 1) and license plate holder (Fig. 2) differ according to the respective market (the examples shown in the following photos are EU versions), the mounting positions are the same for all versions. The license plate holder must be installed precisely in the center of the front or rear bumper.





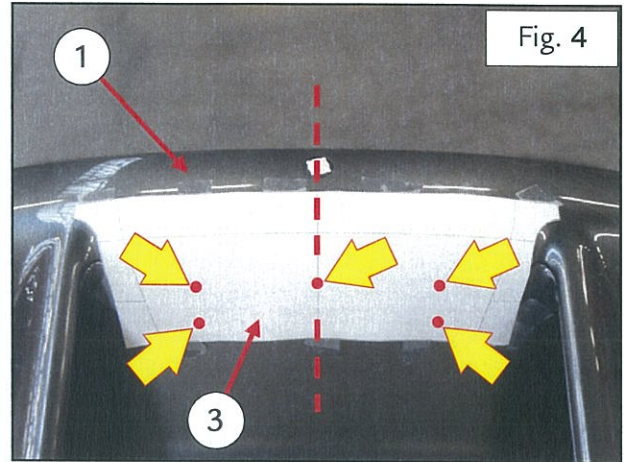
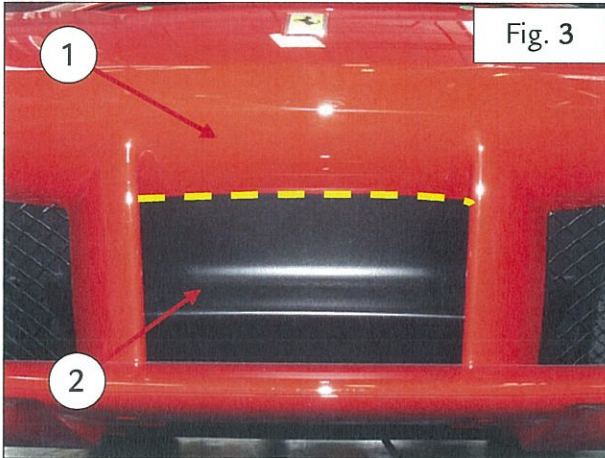
## Procedure

### FRONT LICENSE PLATE HOLDER (cross section A – Fig. 1)

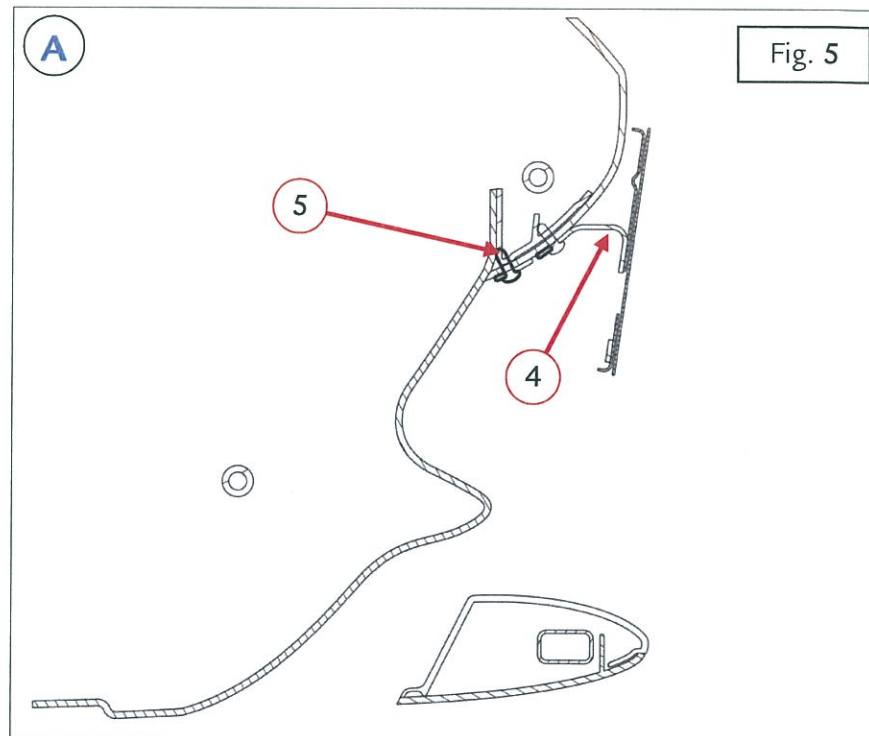
- Print the attachment included with this document, which contains the template, ensuring that the option 'Scale to paper size' is set to “No Scaling” (DO NOT RESIZE THE PAGE).
- After printing the page, use a ruler to check that the distance between the centers of the two holes is 140 mm.
- Cut out the license plate holder template.
- Identify the border between the painted part of the bumper (1) and the area in matte black (2), indicated with the dotted line in Fig. 3 The lower edge of the template must be aligned against the dotted line.
- Place the template (3) on the front bumper, aligning perfectly with the centerline of the front bumper and with the lower edge against the border between the painted part of the bumper (1) and the matte black area (2), as shown in Fig. 3 – Fig. 4.
- Fix the template (3) to the front bumper (1), ensuring that it is aligned in the correct position as described above – Fig. 4.
- Using a drill with a suitable bit, drill the five holes in the positions indicated on the template (3) and in Fig. 4.



# Ferrari North America



- Place the complete front license plate holder (4) over the holes drilled previously – Fig. 5.
- Fasten the license plate holder (4) with five self-tapping screws (5) (included in kit) – Fig. 5.  
Note: Apply Loctite thread lock compound to the fastener screws (5).





## Ferrari North America

### - IMPORTANT -

If the vehicle is equipped with the front camera and has been fitted with a custom license plate holder, after performing the aforementioned procedure, ensure that there is a gap of at least 27 mm between the centerline of the camera and the upper edge of the license plate.

### REAR LICENSE PLATE HOLDER (cross section B – Fig. 2)

When fitting the rear license plate holder (6), ensure that the following conditions are met (Fig. 6):

- the license plate holder must be centered perfectly with the centerline of the rear bumper;
- the bottom of the license plate holder must be perfectly parallel with the ground;
- the ground height of the license plate (H), measured with the vehicle on level ground and in kerb weight conditions, complies with the requisites of national traffic regulations in the relative market, as indicated in the following table.

**Note:** 'Kerb weight conditions' means the vehicle with a full fuel tank and with all fluids at the correct levels. There must be no occupants seated in the vehicle and no luggage in the luggage compartment.

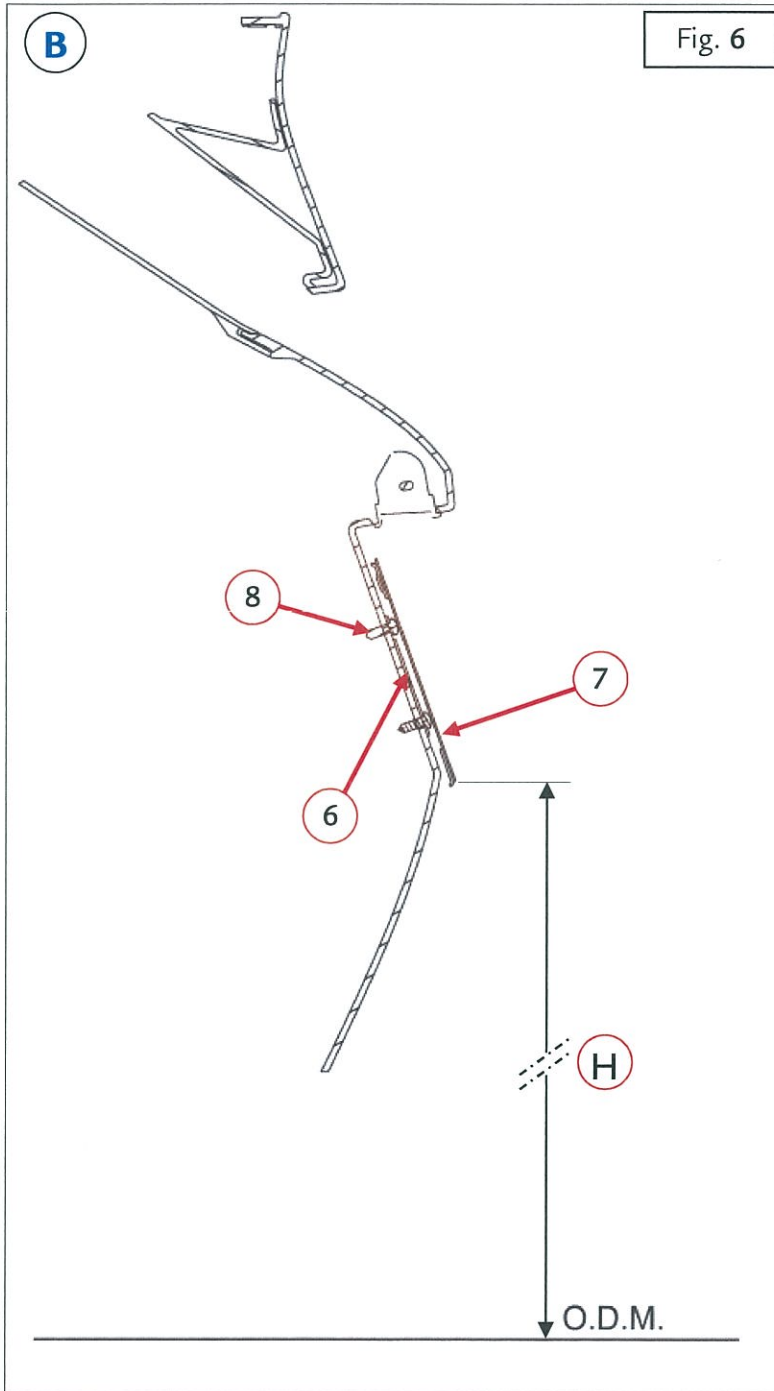
**Note:** The ground height of the license plate is measured from the bottom edge of the license plate (7) itself, once mounted on the license plate holder.

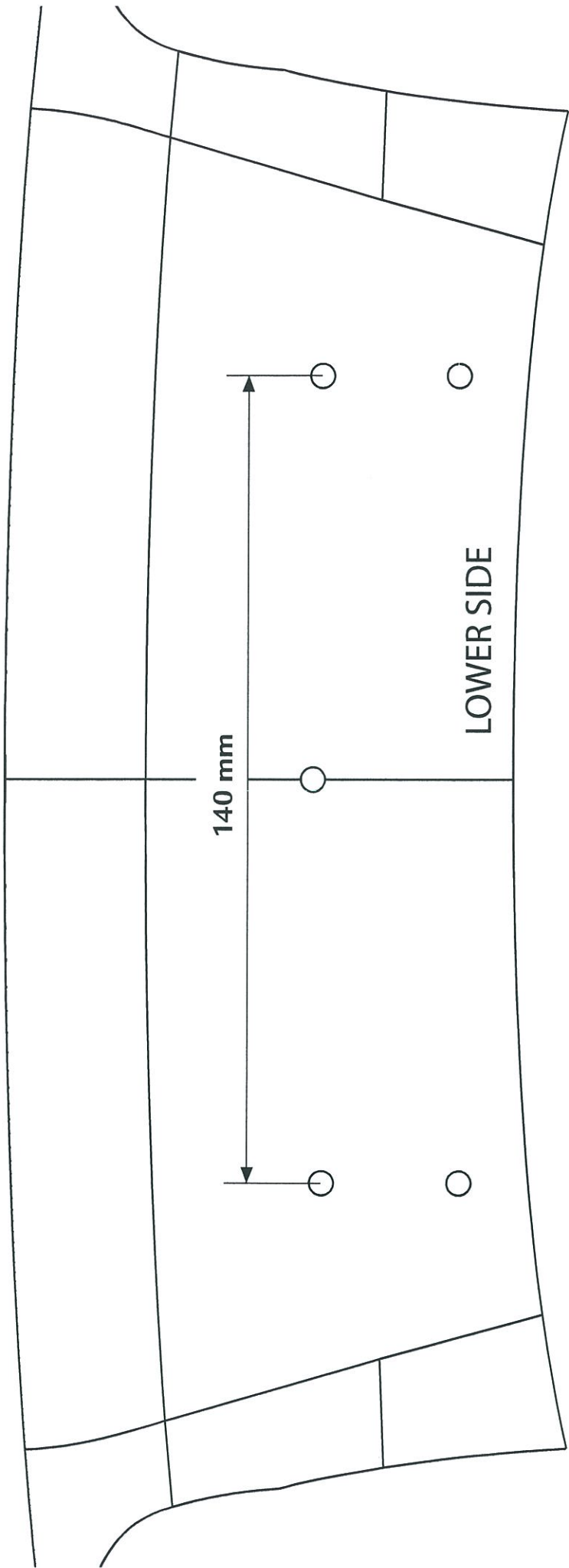
- With the license plate holder positioned correctly as described, mark the positions of the four mounting holes on the license plate holder (6) itself.
  - Using a drill with a suitable bit, drill four holes in the positions marked.
  - Place the rear front license plate holder (6) over the holes drilled previously – Fig. 6.
  - Fasten the rear license plate holder (6) with four self-tapping screws (8) (included in kit) – Fig. 6.
- Note:** Apply Loctite thread lock compound to the fastener screws (8).



# Ferrari North America

Rear License plate holder Height (H) for USA: 484mm





Front view