



Technical Journal

TITLE:

Headliner rear attachment, loose

REF NO: TJ 32029.1.0	ISSUING DEPARTMENT: Technical Service	CAR MARKET: United States and Canada	
PARTNER: 3 US 7510 Volvo Car USA		ISSUE DATE: 2016-11-04	STATUS DATE: 2016-11-09
FUNC GROUP: 8554	FUNC DESC: Upholstery for roof with retainer	Page 1 of 7	

“Right first time in Time”

Attachment

File Name	File Size
TJ 32029.pdf	0.6487 MB

Vehicle Type

Type	Eng	Eng Desc	Sales	Body	Gear	Steer	Model Year	Plant	Chassis range	Struc Week Range
234							2017-9999		0000350-0999999	201617-999952

CSC Customer Symptom Codes

Code	Description
M6	Headlining/Loose, poor fit, warped, wrinkled

VST Operation Number

VST Operation Number	Description
98648-2	Headlining adjust acc. to TJ32029

DTC Diagnostic Trouble Codes

Text

**DESCRIPTION:**

If headliner hangs down by the rear glass or makes a rattle noise while driving, it may be that the Velcro has detached from the headliner.

SERVICE:

Glue the Velcro according to instruction "TJ 32029.pdf"

VEHICLE REPORT:

Yes, please submit a Vehicle Report if the service solution described in this TJ has no effect. Use concern area "Vehicle Report" and sub concern area "Support not needed", use function group 8554.

To view TJ attachments continue to next page. This TJ has one attachment.



Volvo Car Customer Service

TJ 32029

Title	Headlining	Page	1 (5)
Action	Product fix	Operation number:	98648-2

Affected vehicles

Model year	Model
2017	S90 (17-)

Materials

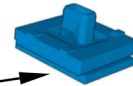
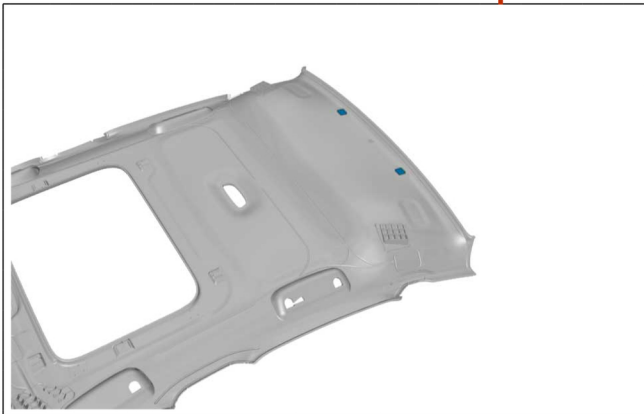
Materials	Qty.	Part No.	Notes
Glue	0.5	9511027	See Volvo chemical portal

Special tools

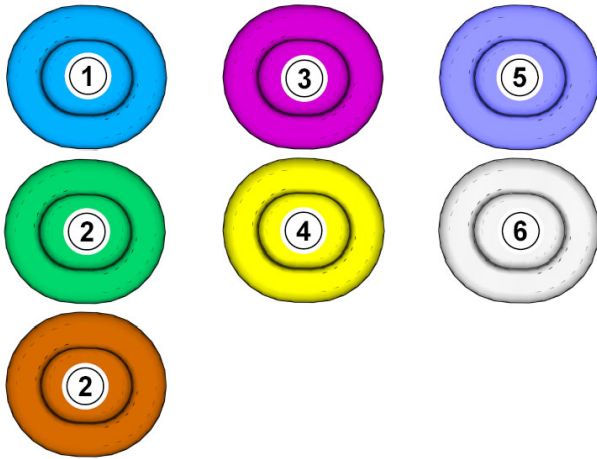
Description	Part No.		
Glue gun (kit)	9512950	Wurth PN	1891989348
Extra mixer tips (if needed)		Wurth PN	08910005

Removal

Note! Removal steps in this procedure may contain installation details.



Color symbols



Note! This colour chart displays (in colour print and electronic version) the importance of the different colours used in the images of the method steps.

- 1 . Used for focused component, the component with which you will do something.
- 2 . Used as extra colors when you need to show or differentiate additional parts.
- 3 . Used for attachments that are to be removed/installed. May be screws, clips, connectors, etc.
- 4 . Used when the component is not fully removed from the vehicle but only hung to the side.
- 5 . Used for standard tools and special tools.
- 6 . Used as background color for vehicle components.

Lower the headlining , refer to:
 Removal, replacement and installation
 8 - Body and interior
 85 - Interior
 855 - other upholstery



Remove any traces of glue on the headliner.

Remove any traces of glue from Velcro.



Special Tool: T9512950, Glue gun (kit) or
Wurth PN 1891989348.

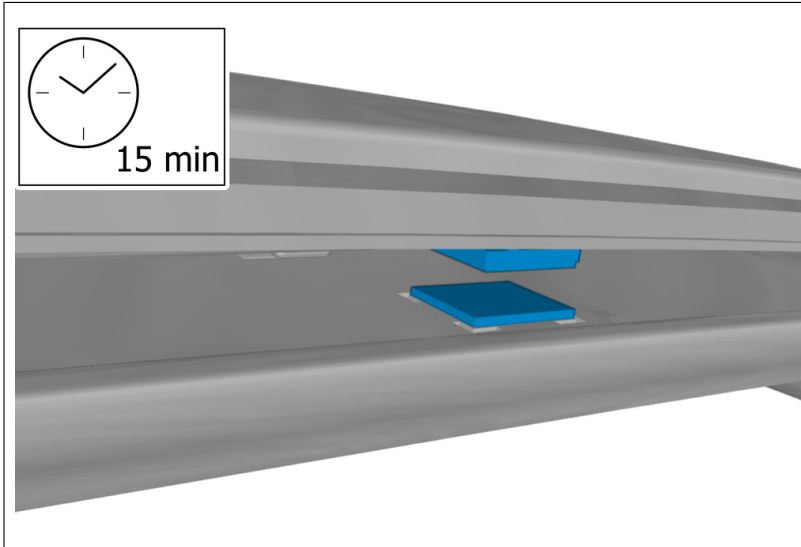
Use: Glue , 9511027

Apply the glue on the marked
surface.



**Note! This step must be carried out within
the time stated.**

Place the Velcro to the indicated area.

Installation

Place a piece of paper between the two Velcro pieces to keep them separated. After 15 min, remove the paper and secure the two pieces of Velcro by pressing up on the headliner.

To install, reverse the removal procedure.